



US00D806861S

(12) **United States Design Patent**  
**Amano**

(10) **Patent No.:** **US D806,861 S**  
(45) **Date of Patent:** **\*\* Jan. 2, 2018**

- (54) **SYRINGE FOR ENDOSCOPE**
- (71) Applicant: **OLYMPUS CORPORATION**, Tokyo (JP)
- (72) Inventor: **Hirotooshi Amano**, Tokyo (JP)
- (73) Assignee: **OLYMPUS CORPORATION**, Tokyo (JP)
- (\*\*) Term: **15 Years**
- (21) Appl. No.: **29/548,852**
- (22) Filed: **Dec. 17, 2015**
- (30) **Foreign Application Priority Data**  
  - Jun. 25, 2015 (JP) ..... 2015-014069
- (51) **LOC (11) Cl.** ..... **24-02**
- (52) **U.S. Cl.**  
USPC ..... **D24/112**
- (58) **Field of Classification Search**  
  - USPC ..... D24/112-114, 133, 186, 104, 127, 130;  
606/181, 185; 604/264, 272, 115, 232,  
604/187, 158, 164.08, 192, 263, 163, 181,  
604/184, 198, 227
  - CPC ..... A61M 5/31596; A61M 2005/1787; A61M  
2005/31508; A61M 5/31511; A61M  
2005/3121; A61M 2005/31598; A61M  
2005/3123

See application file for complete search history.

- (56) **References Cited**  
  - U.S. PATENT DOCUMENTS**
  - 4,929,232 A \* 5/1990 Sweeney ..... A61M 5/3202  
604/111
  - 6,004,296 A \* 12/1999 Jansen ..... A61M 5/3135  
604/110
  - 8,303,530 B2 \* 11/2012 Injev ..... A61F 9/00745  
604/22
  - D672,456 S \* 12/2012 Lee-Sepsick ..... D24/112

- D726,908 S \* 4/2015 Yu ..... D24/130
- D733,289 S \* 6/2015 Blanchard ..... A61M 25/0097  
D24/112
- D746,443 S \* 12/2015 Chen ..... D24/113
- D773,651 S \* 12/2016 Chen ..... D24/113
- D779,059 S \* 2/2017 Nino ..... D24/133
- 2004/0210197 A1 \* 10/2004 Conway ..... A61B 5/150351  
604/198
- 2007/0016141 A1 \* 1/2007 Salto ..... A61M 5/3243  
604/198
- 2012/0271335 A1 \* 10/2012 Lee ..... A61M 37/0084  
606/185

(Continued)

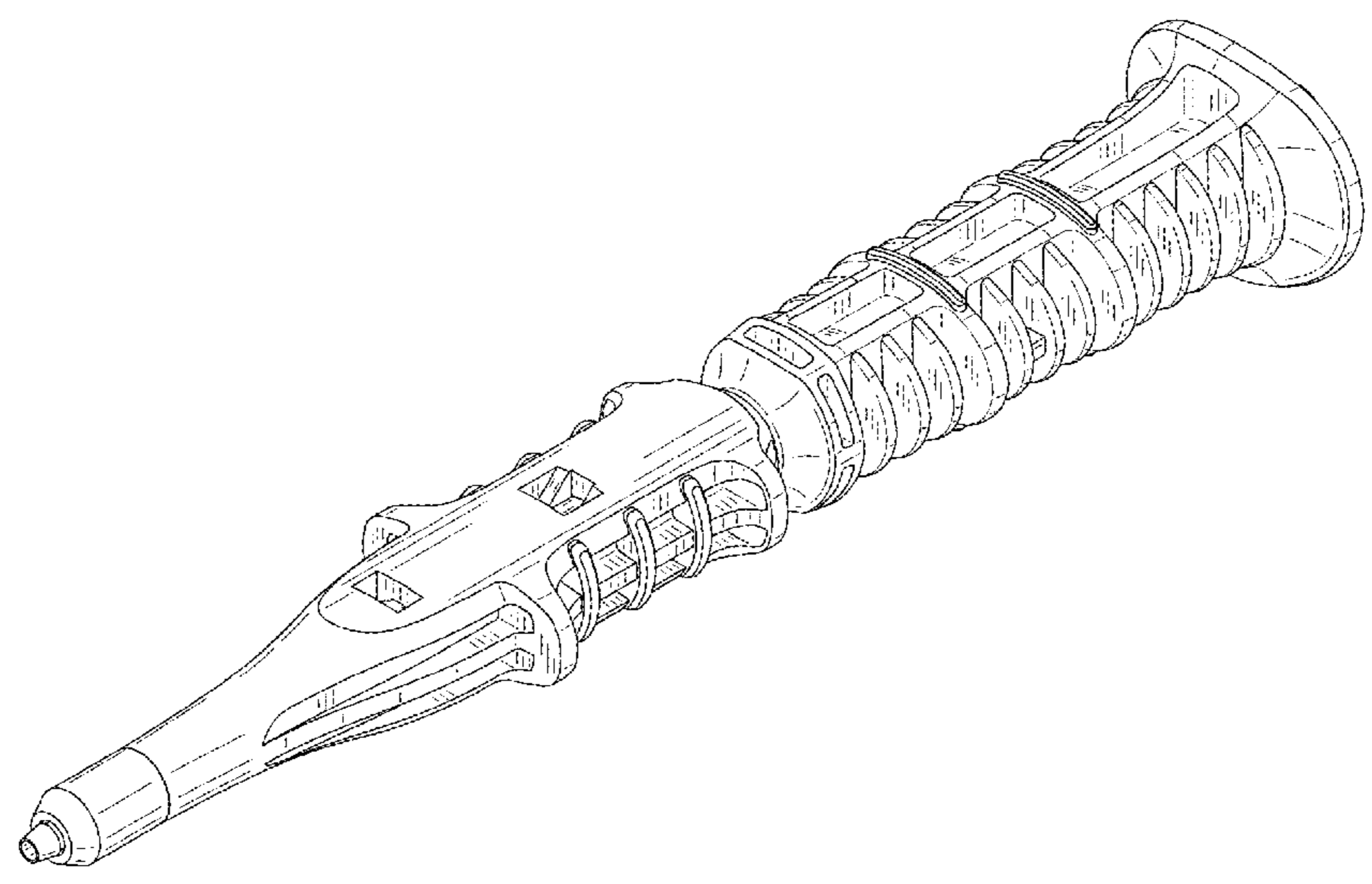
*Primary Examiner* — David Muller  
*Assistant Examiner* — Nathan Johnston  
 (74) *Attorney, Agent, or Firm* — Scully, Scott, Murphy & Presser, P.C.

(57) **CLAIM**  
 The ornamental design for the syringe for endoscope, as shown and described.

**DESCRIPTION**

FIG. 1 is a front, bottom and left side perspective view of the syringe for endoscope, showing a my new design;  
 FIG. 2 is a front elevation view thereof;  
 FIG. 3 is a rear elevation view thereof;  
 FIG. 4 is a top plan view thereof;  
 FIG. 5 is a bottom plan view thereof;  
 FIG. 6 is a left side elevation view thereof;  
 FIG. 7 is a right side elevation view thereof;  
 FIG. 8 is a cross sectional view thereof, taken along the line 8-8 in FIG. 2; and,  
 FIG. 9 is an enlarged cross sectional view thereof, taken along the line 9-9 in FIG. 2.  
 The broken lines showing portions of the syringe for endoscope are for illustrating environmental structure, and form no part of the claimed design.

**1 Claim, 7 Drawing Sheets**



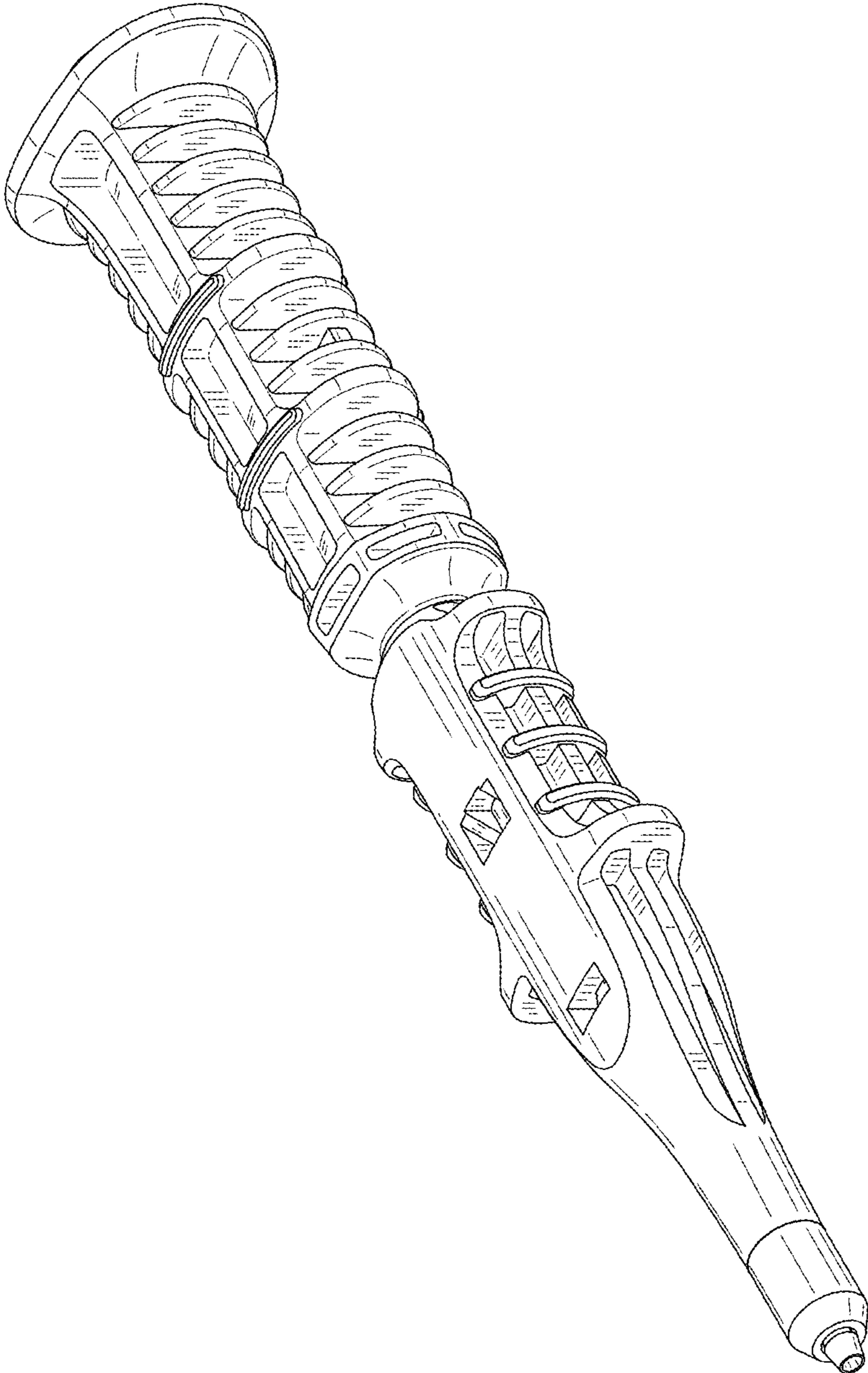
(56)

**References Cited**

U.S. PATENT DOCUMENTS

2015/0094751 A1\* 4/2015 Chen ..... A61B 17/34  
606/185

\* cited by examiner



*Fig. 1*

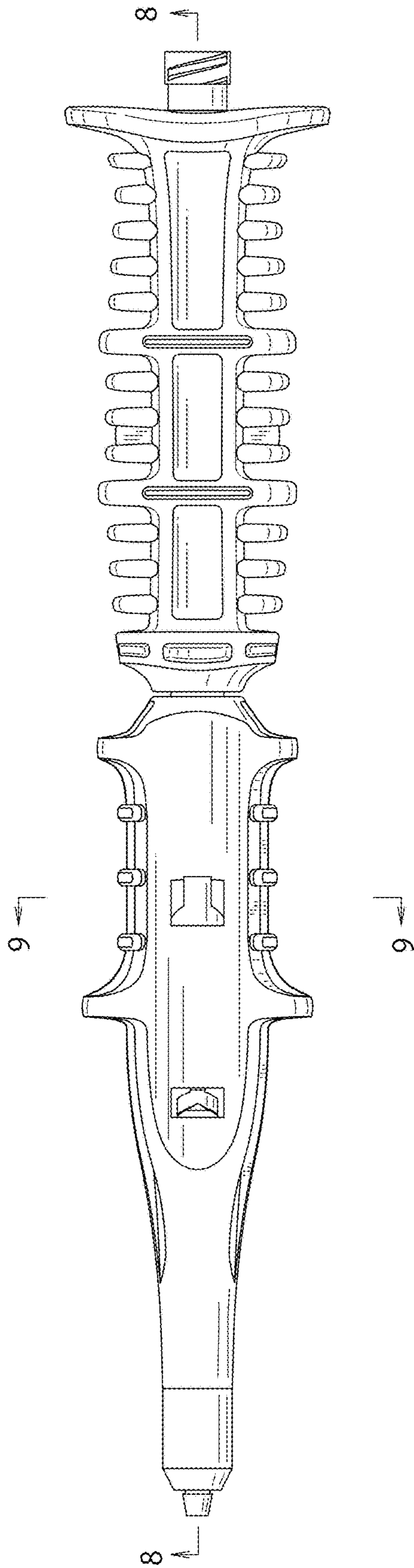


Fig. 2

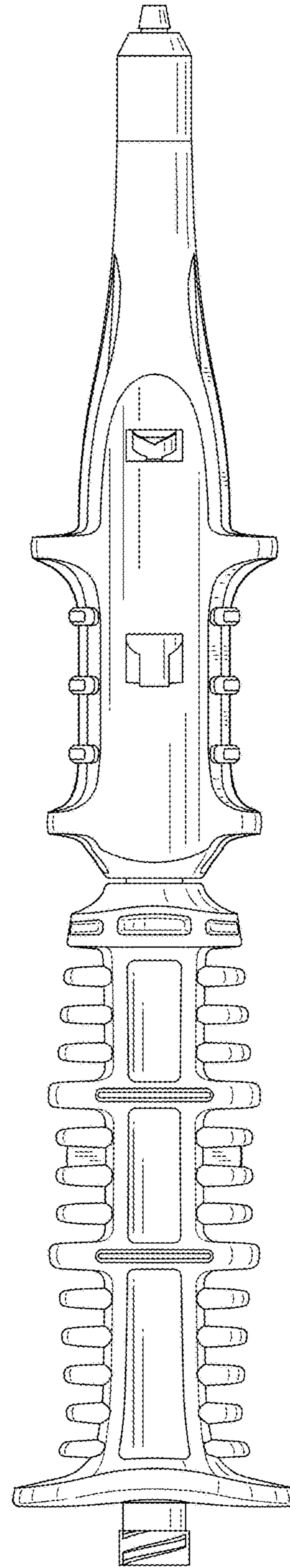
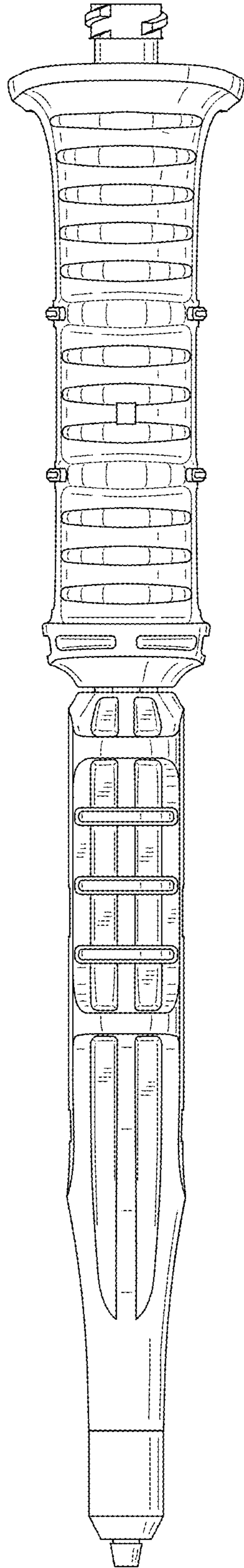
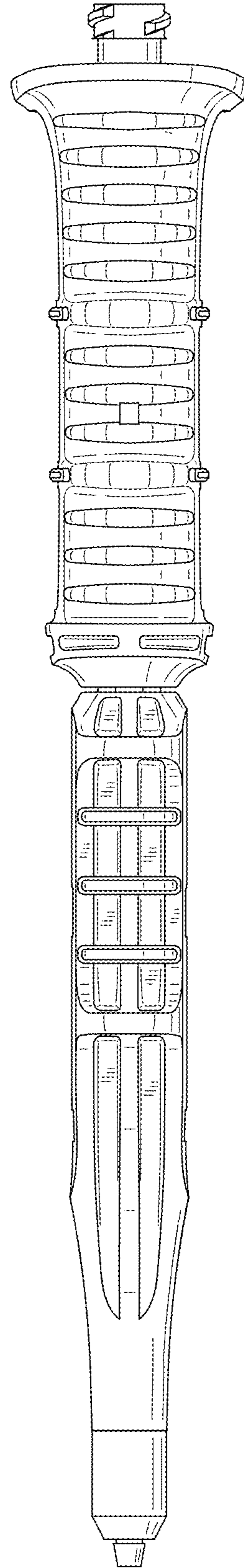


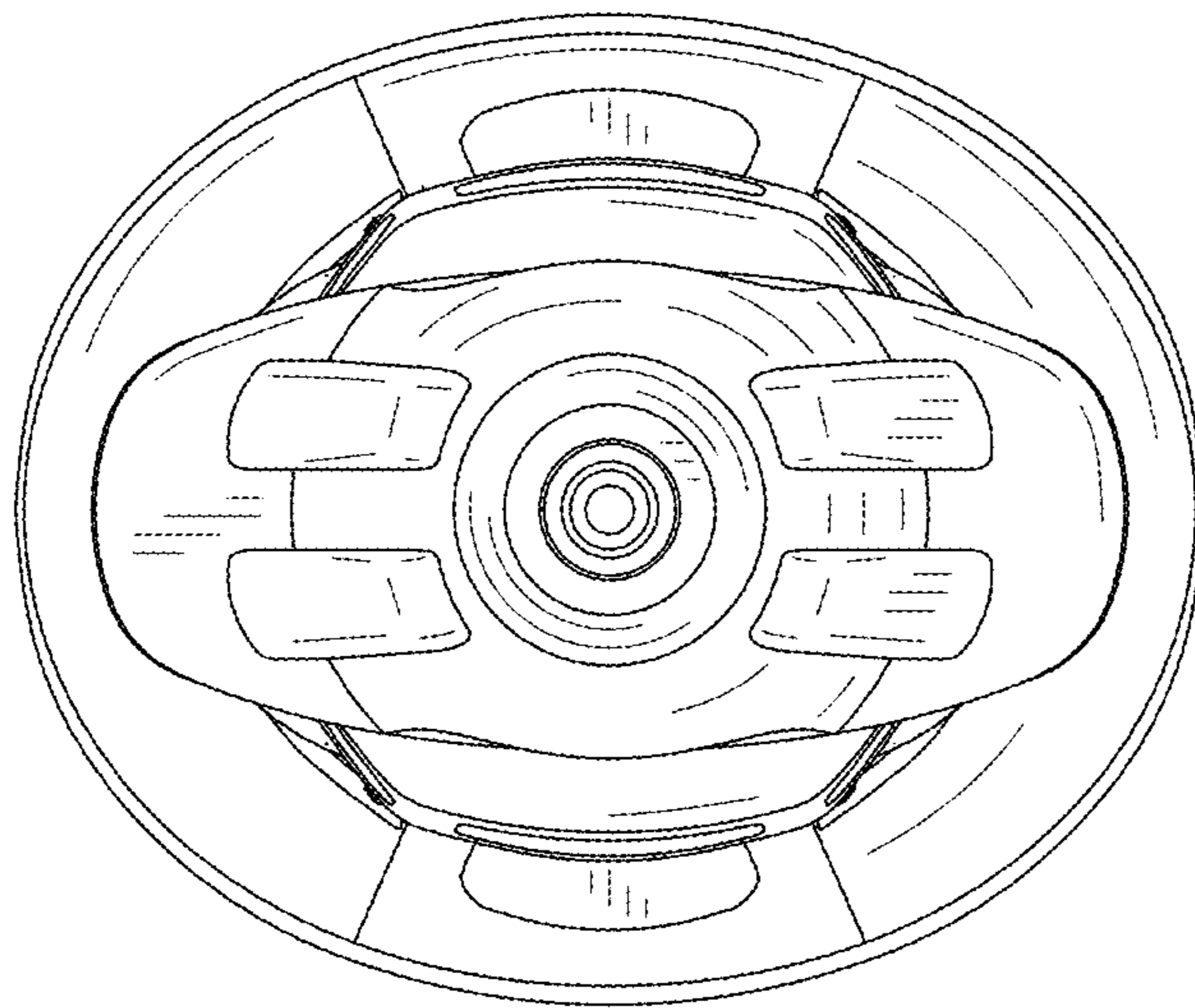
Fig. 3



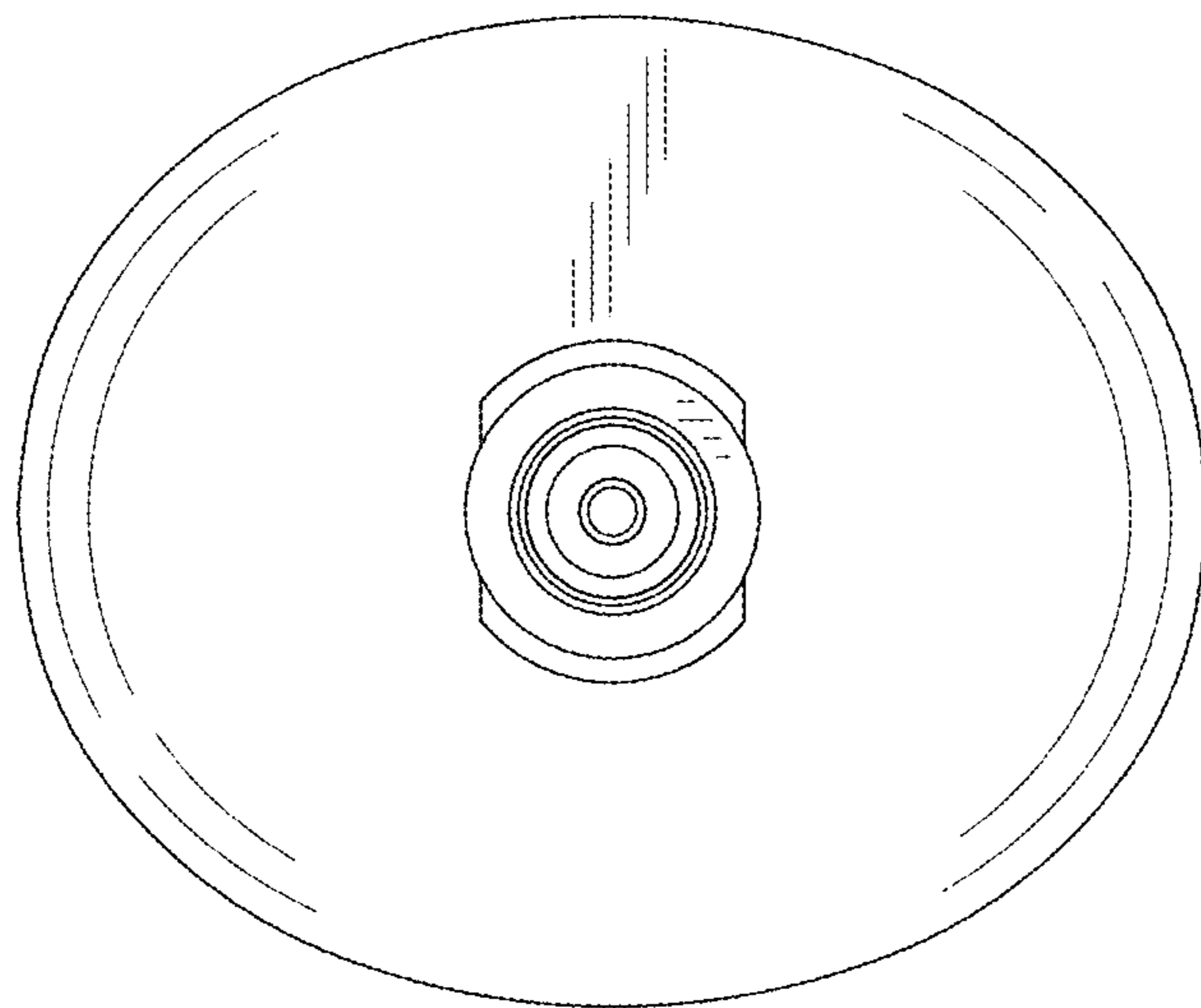
*Fig. 4*



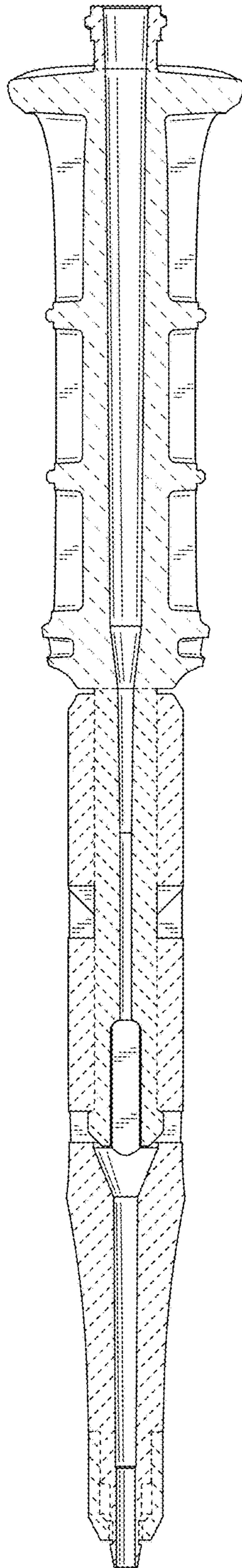
*Fig. 5*



*Fig. 6*

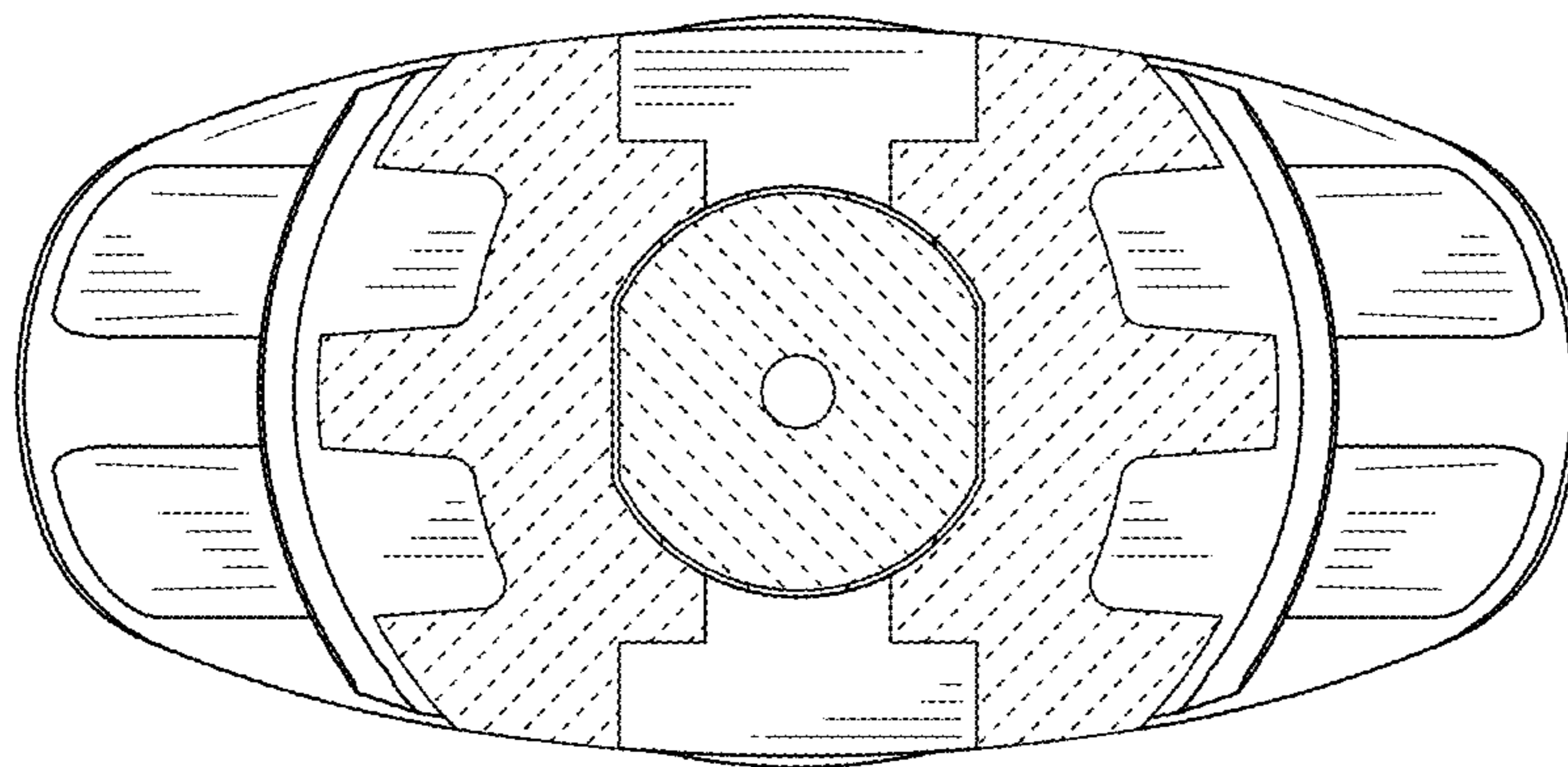


*Fig. 7*



*Fig. 8*





*Fig. 9*