



US00D806859S

(12) **United States Design Patent** (10) **Patent No.:** **US D806,859 S**  
**Formica et al.** (45) **Date of Patent:** **\*\* Jan. 2, 2018**

(54) **AIR DELIVERY TUBE**

(71) Applicant: **ResMed Limited**, Bella Vista, North South Wales (AU)

(72) Inventors: **Justin John Formica**, Sydney (AU); **Saad Nasr**, Sydney (AU); **Joseph Samuel Ormrod**, Sydney (AU); **Ernie Wei-Chih Tsai**, Sydney (AU)

(73) Assignee: **ResMed Limited**, Bella Vista (AU)

(\*\*) Term: **15 Years**

(21) Appl. No.: **29/570,182**

(22) Filed: **Jul. 6, 2016**

**Related U.S. Application Data**

(62) Division of application No. 29/485,313, filed on Mar. 18, 2014, now Pat. No. Des. 762,843.

(51) **LOC (11) Cl.** ..... **29-02**

(52) **U.S. Cl.**  
USPC ..... **D24/110**

(58) **Field of Classification Search**  
USPC ..... D24/110, 110.1–110.5, 127  
(Continued)

(56) **References Cited**

**U.S. PATENT DOCUMENTS**

2,073,335 A 3/1937 Connell  
2,516,864 A 8/1950 Gilmore  
(Continued)

**FOREIGN PATENT DOCUMENTS**

CN 101541367 A 9/2009  
CN 102170932 A 8/2011  
(Continued)

**OTHER PUBLICATIONS**

Office Action dated Nov. 7, 2014 in Design U.S. Appl. No. 29/482,519 (5 pages).

(Continued)

*Primary Examiner* — Garth Rademaker

*Assistant Examiner* — Lilyana Bekic

(74) *Attorney, Agent, or Firm* — Nixon & Vanderhye P.C.

(57) **CLAIM**

The ornamental design for an air delivery tube, as shown and described.

**DESCRIPTION**

FIG. 1 is a perspective view, from the front, top, right side, of an air delivery tube showing a first embodiment according to our new design;

FIG. 2 is a perspective view from the front, bottom, right side, thereof;

FIG. 3 is a front view thereof;

FIG. 4 is a rear view thereof;

FIG. 5 is a top view thereof;

FIG. 6 is a bottom view thereof;

FIG. 7 is a left side view thereof;

FIG. 8 is a right side view thereof;

FIG. 9 is another perspective view;

FIG. 10 is still another perspective view;

FIG. 11 is a perspective view, from the front, top, right side, of an air delivery tube showing a second embodiment according to our new design;

FIG. 12 is a perspective view from the front, bottom, right side, thereof;

FIG. 13 is a front view thereof;

FIG. 14 is a rear view thereof;

FIG. 15 is a top view thereof;

FIG. 16 is a bottom view thereof;

FIG. 17 is a left side view thereof;

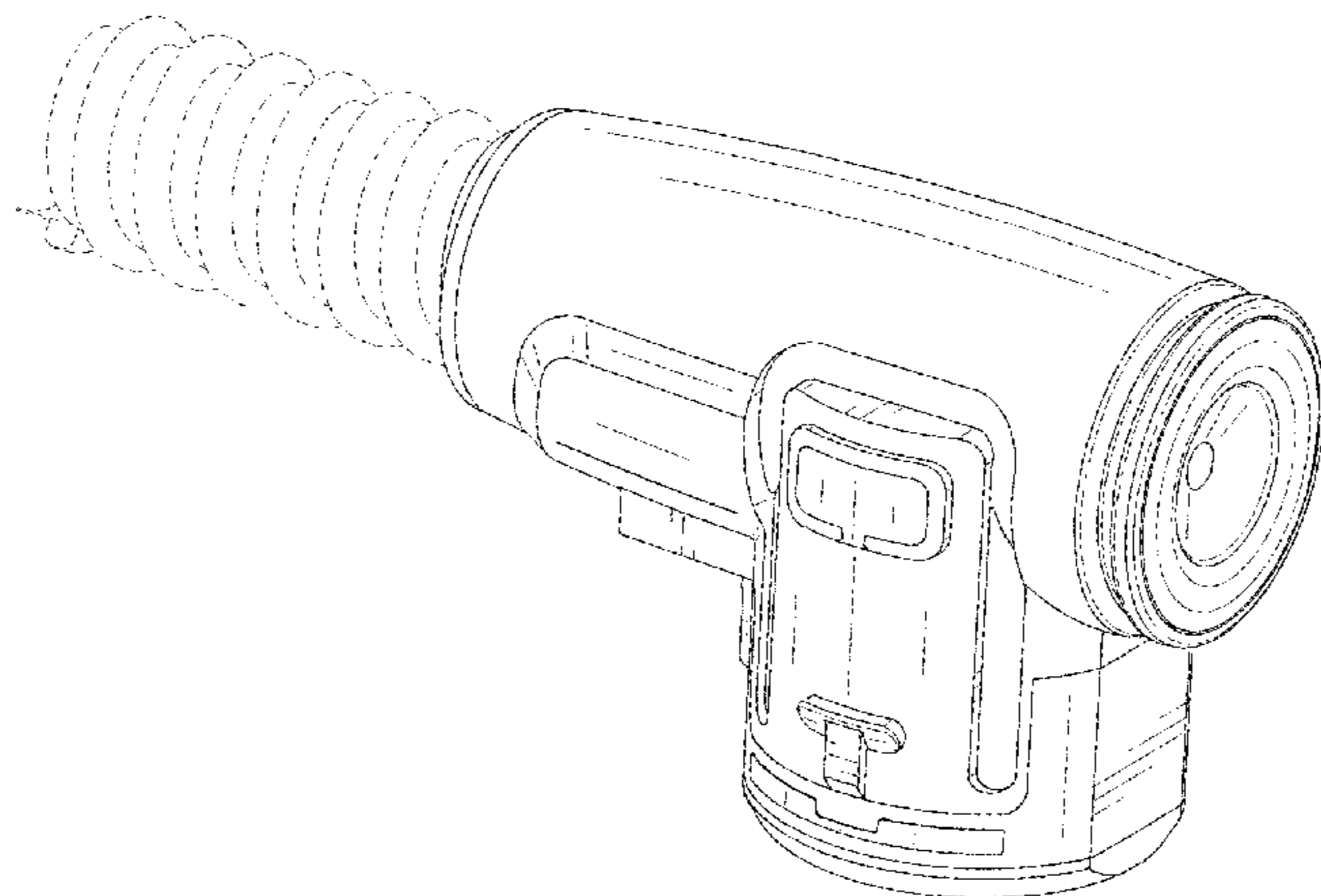
FIG. 18 is a right side view thereof;

FIG. 19 is another perspective view; and,

FIG. 20 is still another perspective view.

The broken lines in the drawings illustrate portions of the air delivery tube that form no part of the claimed design.

**1 Claim, 10 Drawing Sheets**



- (58) **Field of Classification Search**  
 CPC ..... A61M 16/0616; A61M 16/0633; A61M 16/06; A61M 16/0666; A61M 16/0683; A61M 16/0875; A61M 16/0816; A61M 16/08; A61M 16/0605; A61M 16/0622; A61M 16/0644

See application file for complete search history.

(56) **References Cited**

U.S. PATENT DOCUMENTS

2,524,522 A 10/1950 Gilmore  
 2,954,802 A 10/1960 Duff  
 3,163,707 A 12/1964 Darling  
 D217,550 S 5/1970 Campbell  
 4,188,081 A 2/1980 Holden  
 4,283,594 A 8/1981 Somers  
 D280,765 S 9/1985 Alvino  
 D302,040 S 7/1989 Lambert  
 5,054,156 A 10/1991 Watanabe et al.  
 5,392,770 A 2/1995 Clawson et al.  
 D360,027 S 7/1995 Psaros  
 5,640,951 A 6/1997 Huddart et al.  
 5,762,382 A 6/1998 Perneti et al.  
 D405,522 S 2/1999 Hoenig  
 D421,298 S 2/2000 Kenyon et al.  
 6,078,730 A 6/2000 Huddart et al.  
 6,099,046 A 8/2000 Oh  
 D436,401 S 1/2001 Remes et al.  
 D439,326 S 3/2001 Hecker  
 D473,941 S 4/2003 Cise  
 D476,731 S 7/2003 Cise  
 D486,909 S 2/2004 Cise  
 6,722,904 B2 4/2004 Linhart  
 D493,520 S 7/2004 Bertinetti et al.  
 D493,884 S 8/2004 Virr et al.  
 D544,598 S 6/2007 Lithgow et al.  
 7,226,302 B2 6/2007 Walter  
 7,237,770 B2 7/2007 Lipscombe et al.  
 D550,349 S 9/2007 Lithgow et al.  
 7,306,205 B2 12/2007 Huddart et al.  
 D560,795 S 1/2008 Lithgow et al.  
 D561,890 S 2/2008 Lithgow et al.  
 D561,891 S 2/2008 Lithgow et al.  
 D570,473 S 6/2008 Hamaguchi et al.  
 D578,204 S 10/2008 Lithgow et al.  
 D580,060 S 11/2008 Adams  
 D585,131 S 1/2009 Trevor-Wilson et al.  
 D585,540 S 1/2009 Lithgow et al.  
 D590,494 S 4/2009 Lithgow et al.  
 D602,585 S 10/2009 Blackwell et al.  
 D604,830 S 11/2009 Lithgow et al.  
 D611,593 S 3/2010 Lithgow et al.  
 D612,480 S 3/2010 Cork et al.  
 D614,286 S 4/2010 Lithgow et al.  
 D621,031 S 8/2010 Lithgow et al.  
 7,814,907 B2 10/2010 Bremner et al.  
 D627,044 S 11/2010 Virr et al.  
 D628,288 S 11/2010 Row et al.  
 D629,891 S 12/2010 Virr et al.  
 D629,892 S 12/2010 Hill et al.  
 D635,244 S 3/2011 Virr et al.  
 D635,245 S 3/2011 Virr et al.  
 D635,654 S 4/2011 Virr et al.  
 D638,536 S 5/2011 Row et al.  
 D638,537 S 5/2011 Virr et al.  
 D638,933 S 5/2011 Hill et al.  
 D643,114 S 8/2011 Virr et al.  
 D650,479 S 12/2011 Row et al.  
 D652,916 S 1/2012 Row et al.  
 D652,917 S 1/2012 Hill et al.  
 D655,813 S 3/2012 Row et al.  
 D658,283 S 4/2012 Burz et al.  
 D659,235 S 5/2012 Bertinetti et al.  
 D671,209 S 11/2012 Row et al.  
 8,360,059 B2 1/2013 Koulechov  
 D677,789 S 3/2013 Row et al.

D708,316 S 7/2014 Bertinetti et al.  
 8,783,298 B2 7/2014 Zucker  
 D710,989 S 8/2014 Bertinetti et al.  
 D741,477 S 10/2015 Rogers  
 D742,508 S 11/2015 Row  
 D751,688 S 3/2016 Daly  
 D761,422 S 7/2016 Row  
 D762,843 S \* 8/2016 Formica ..... D24/110  
 2004/0079370 A1 4/2004 Gradon et al.  
 2006/0106345 A1 5/2006 Flaker et al.  
 2006/0118113 A1 6/2006 Bremner et al.  
 2007/0169776 A1 7/2007 Kepler et al.  
 2007/0181130 A1 8/2007 Worley  
 2007/0181132 A1 8/2007 Worley  
 2007/0218734 A1 9/2007 Walter et al.  
 2008/0105257 A1 5/2008 Klasek et al.  
 2009/0123886 A1 5/2009 Vaska  
 2009/0223514 A1 9/2009 Smith et al.  
 2009/0266361 A1 10/2009 Bilger  
 2010/0116272 A1 5/2010 Row et al.  
 2011/0017212 A1 1/2011 Kenyon et al.  
 2011/0100363 A1 5/2011 Barclay et al.  
 2011/0155132 A1 6/2011 Virr et al.  
 2011/0180068 A1 7/2011 Kenyon et al.  
 2011/0308520 A1 12/2011 McAuley  
 2012/0227738 A1 9/2012 Virr  
 2012/0285454 A1 11/2012 Nibu et al.  
 2013/0008440 A1 1/2013 Maurer et al.  
 2013/0011823 A1 1/2013 Hassanein et al.  
 2013/0047987 A1 \* 2/2013 Mays ..... A61M 16/0875  
 128/204.18  
 2013/0206140 A1 8/2013 Kepler et al.  
 2013/0239961 A1 9/2013 Ross et al.  
 2013/0263854 A1 10/2013 Taylor et al.  
 2013/0280055 A1 10/2013 Daly et al.  
 2013/0333701 A1 12/2013 Herron  
 2014/0102452 A1 4/2014 Forrester  
 2014/0130802 A1 5/2014 Virr et al.  
 2014/0158133 A1 6/2014 Acosta  
 2014/0202460 A1 7/2014 Bath et al.  
 2014/0216459 A1 8/2014 Vos et al.  
 2014/0246025 A1 9/2014 Cragg et al.  
 2015/0021909 A1 \* 1/2015 Gulliver ..... A61M 16/0666  
 285/319  
 2015/0108670 A1 4/2015 Magee  
 2015/0122260 A1 5/2015 Daly  
 2015/0128944 A1 5/2015 Buechi  
 2015/0283350 A1 10/2015 Miller  
 2015/0306332 A1 10/2015 Bafle  
 2016/0015558 A1 \* 1/2016 Bott ..... A61M 16/0875  
 165/121  
 2017/0100556 A1 \* 4/2017 Munkelt ..... A61M 16/0816  
 2017/0100557 A1 \* 4/2017 Worley ..... A61M 16/0816

FOREIGN PATENT DOCUMENTS

CN 102686282 A 9/2012  
 CN 103124575 A 5/2013  
 EM 001312953-0001 3/2012  
 EM 001312953-0002 3/2012  
 EM 001312953-0003 3/2012  
 EM 001312953-0004 3/2012  
 EM 001312953-0005 3/2012  
 EP 1 369 141 A1 12/2003  
 EP 1 741 462 A1 1/2007  
 EP 2 703 034 A2 8/2013  
 FR 2579896 A1 10/1986  
 GB 1364127 A 8/1974  
 WO WO 2006/019323 A1 2/2006  
 WO WO 2011/056080 A1 5/2011  
 WO WO 2012/160477 A1 11/2012

OTHER PUBLICATIONS

ResMed S9™ Series, No Other Sleep Therapy System Delivers, 2010 (12 pages).  
 Philips Respironics, System One Sleep Therapy System, May 2012 (2 pages).

(56)

**References Cited**

OTHER PUBLICATIONS

Fisher & Paykel Healthcare, Icon Brochure, 2010 (2 pages).  
Fisher & Paykel Healthcare, Icon User Manual, Jan. 2010 (214 pages).  
Office Action dated Dec. 4, 2014 in U.S. Appl. No. 29/456,477 (9 pages).  
Office Action dated Dec. 3, 2014 in U.S. Appl. No. 29/456,458 (7 pages).  
Non-final Office Action issued in related U.S. Appl. No. 12/461,967 dated Jan. 29, 2016 (30 pages).  
Final Office Action issued in U.S. Appl. No. 12/461,967 dated Sep. 1, 2016, 59 pages.  
Formica et al., Design U.S. Appl. No. 29/456,458, filed May 31, 2013, for "Positive Airway Pressure Delivery Console".  
Bertinetti et al., Design U.S. Appl. No. 29/502,152, filed Sep. 12, 2014, for "Pressurized Air Delivery Console".

Desvoyes et al., Design U.S. Appl. No. 29/480,971, filed Jan. 31, 2014, for "End Cap for Positive Airway Pressure Delivery Console".  
Bath et al., Design U.S. Appl. No. 29/482,519, filed Feb. 19, 2014, for "Positive Airway Pressure Delivery Console".  
Verma et al., Design U.S. Appl. No. 29/482,541, filed Feb. 19, 2014, for "Humidifier Reservoir for Positive Airway Pressure Delivery Console".  
Formica et al., Design U.S. Appl. No. 29/485,313, filed Mar. 18, 2014, for "Air Delivery Tube".  
Bertinetti et al., Design U.S. Appl. No. 29/492,344, filed May 30, 2014, for "Display Screen with Graphical User Interface".  
Huby et al., U.S. Appl. No. 61/838,971, filed Jun. 25, 2013, for "Outlet Connection Assembly and Method of Making the Same".  
Foote et al., U.S. Appl. No. 61/987,245, filed May 1, 2014, for "Outlet Connection Assembly and Method of Making the Same".

\* cited by examiner

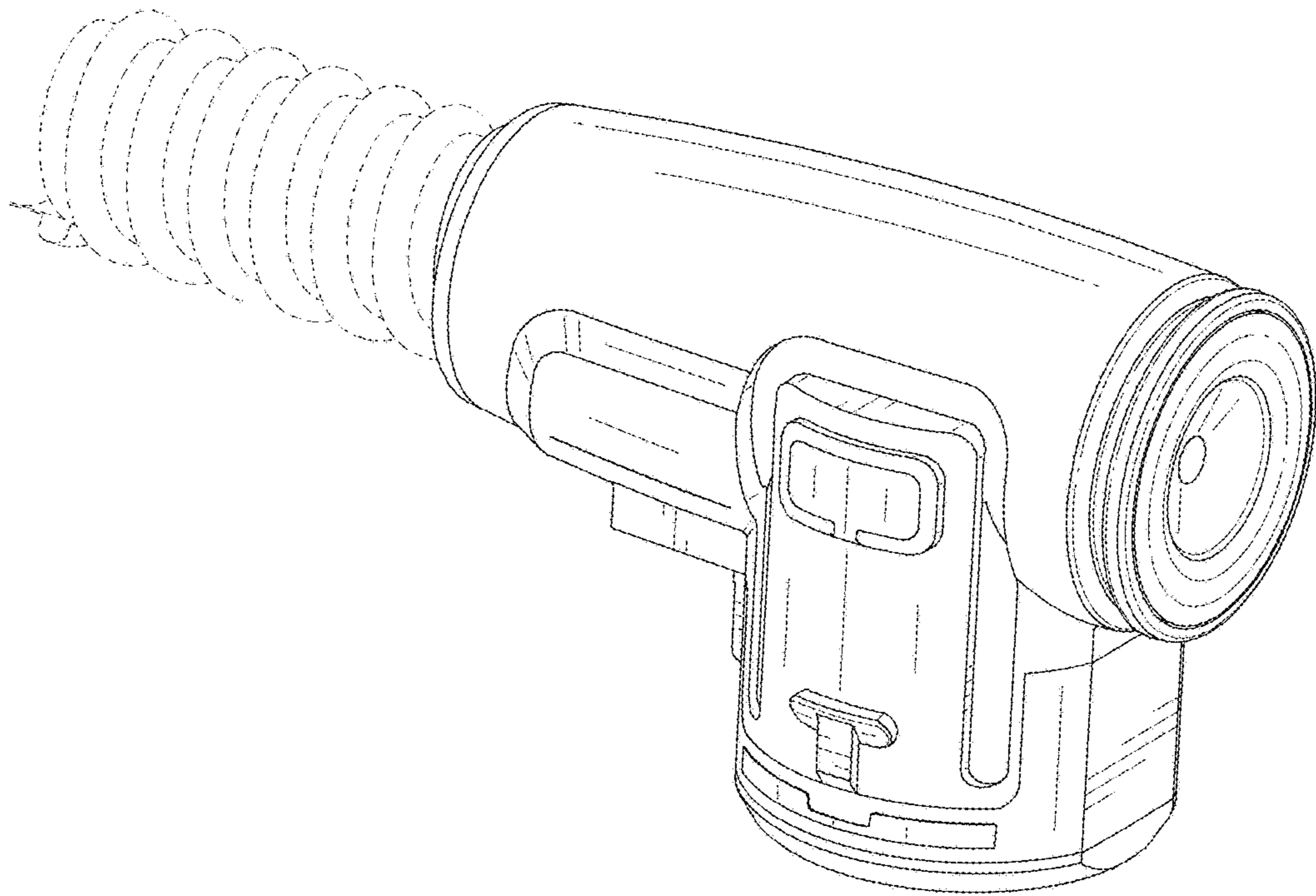


FIG. 1

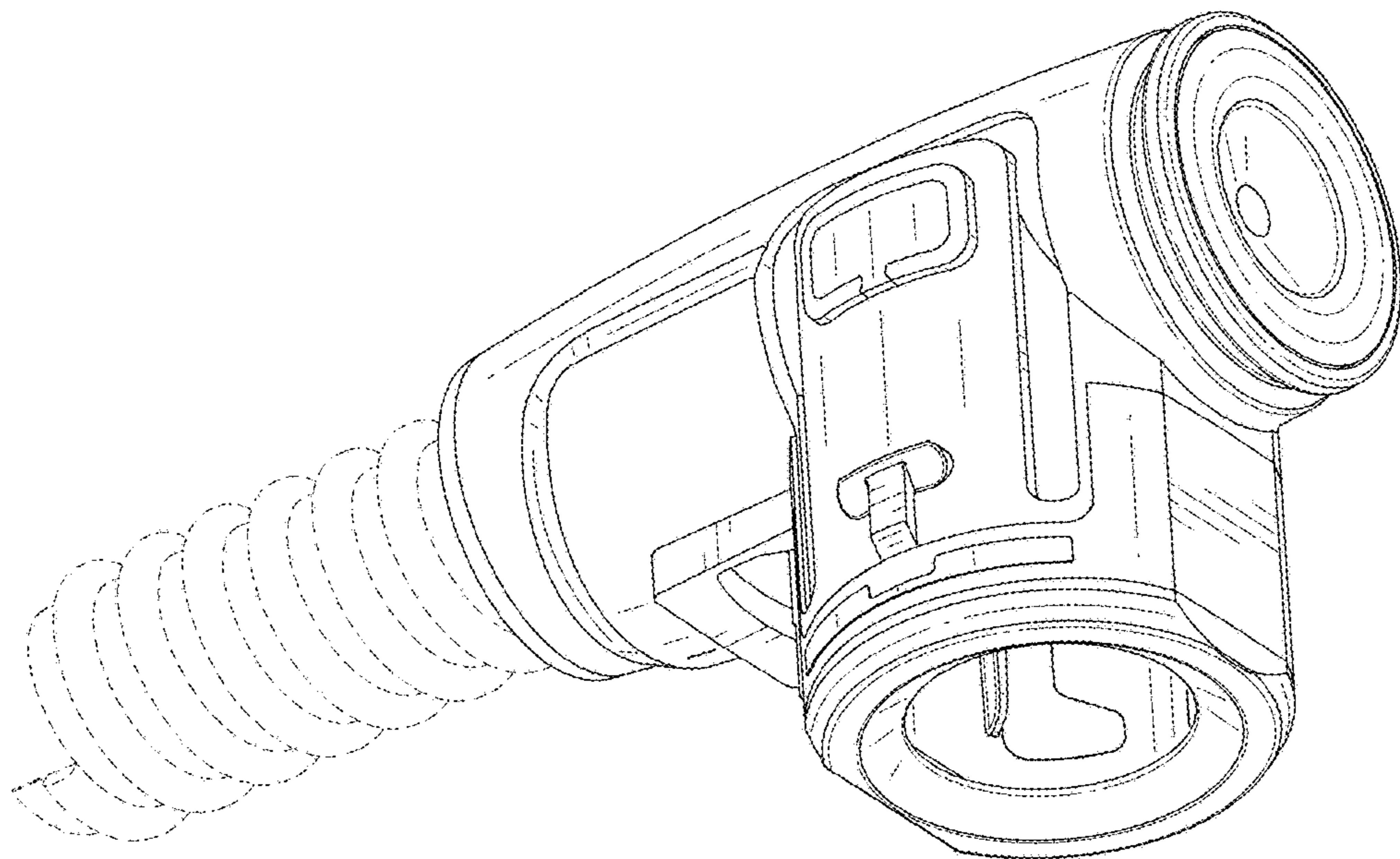


FIG. 2

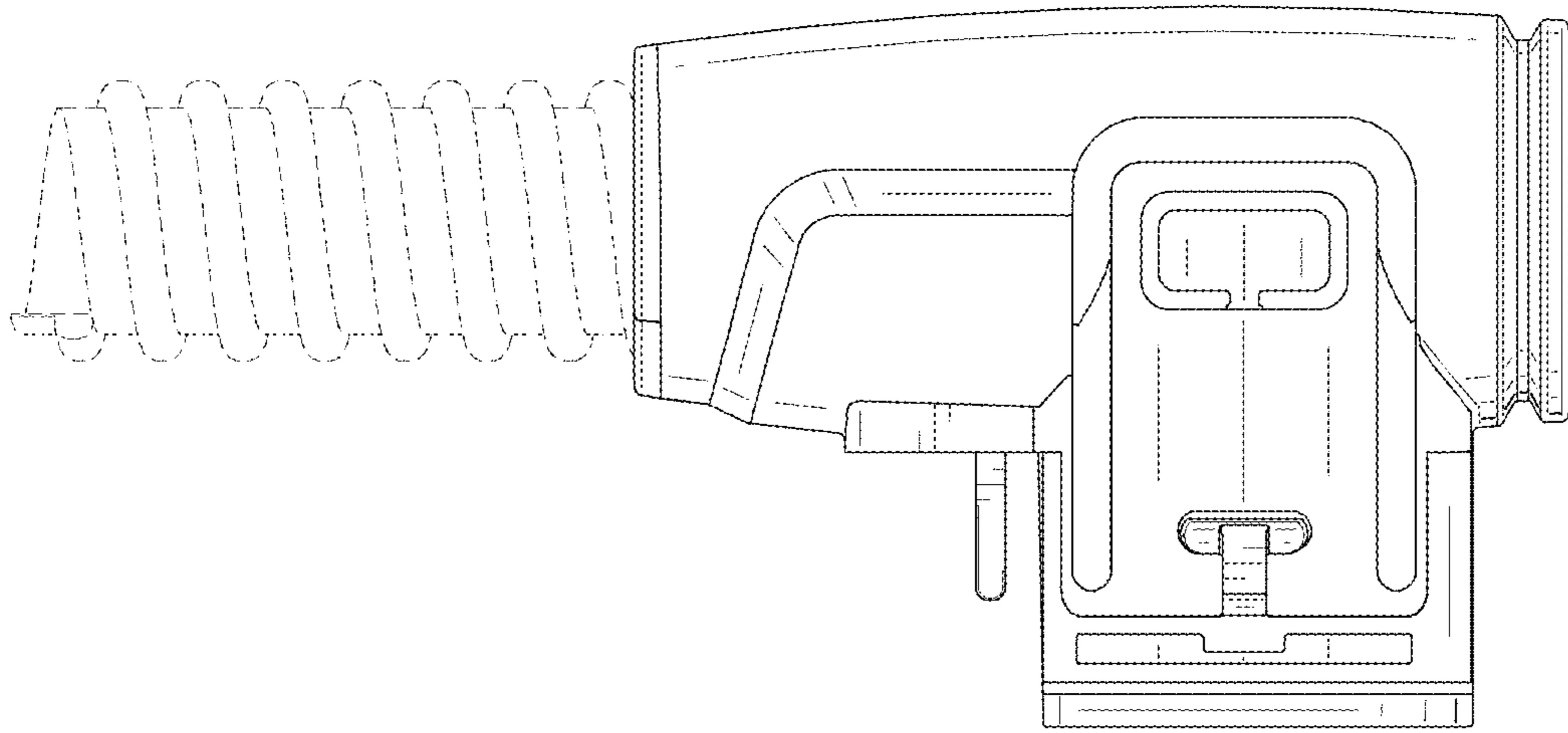


FIG. 3

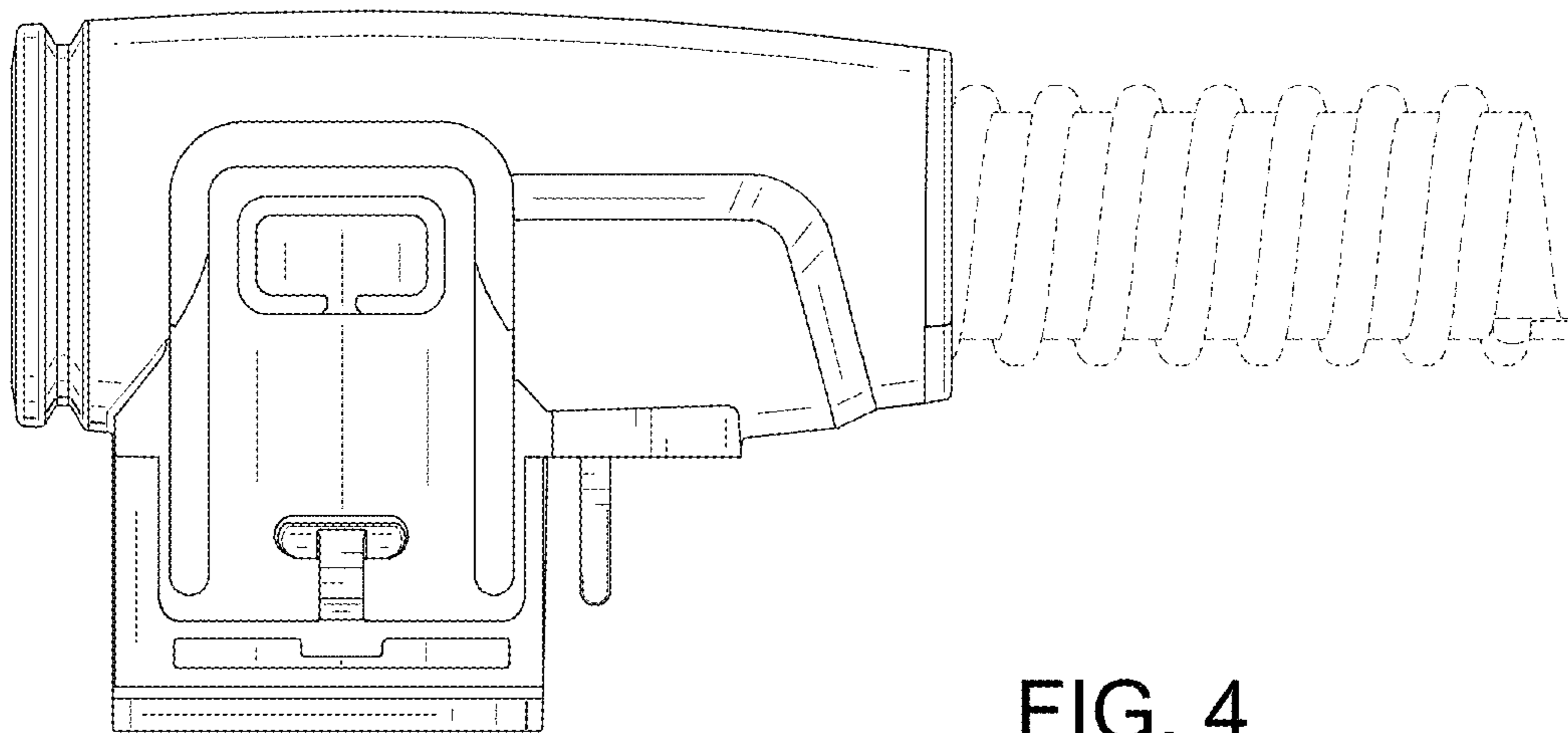


FIG. 4

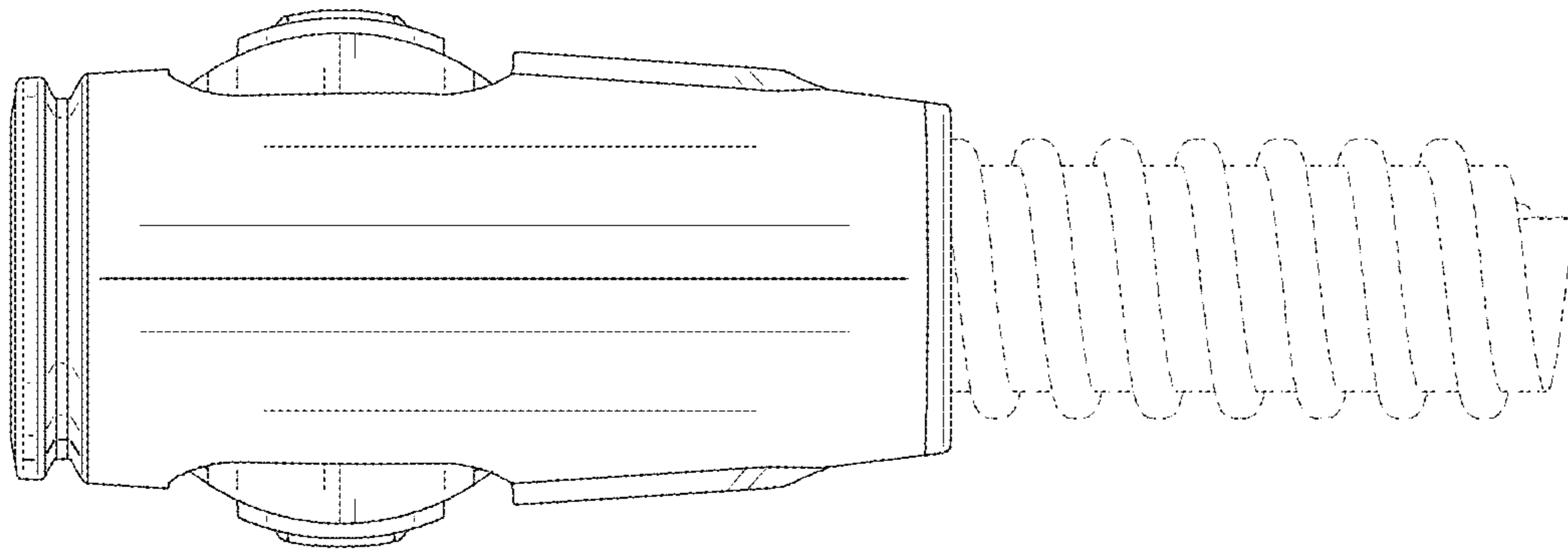


FIG. 5

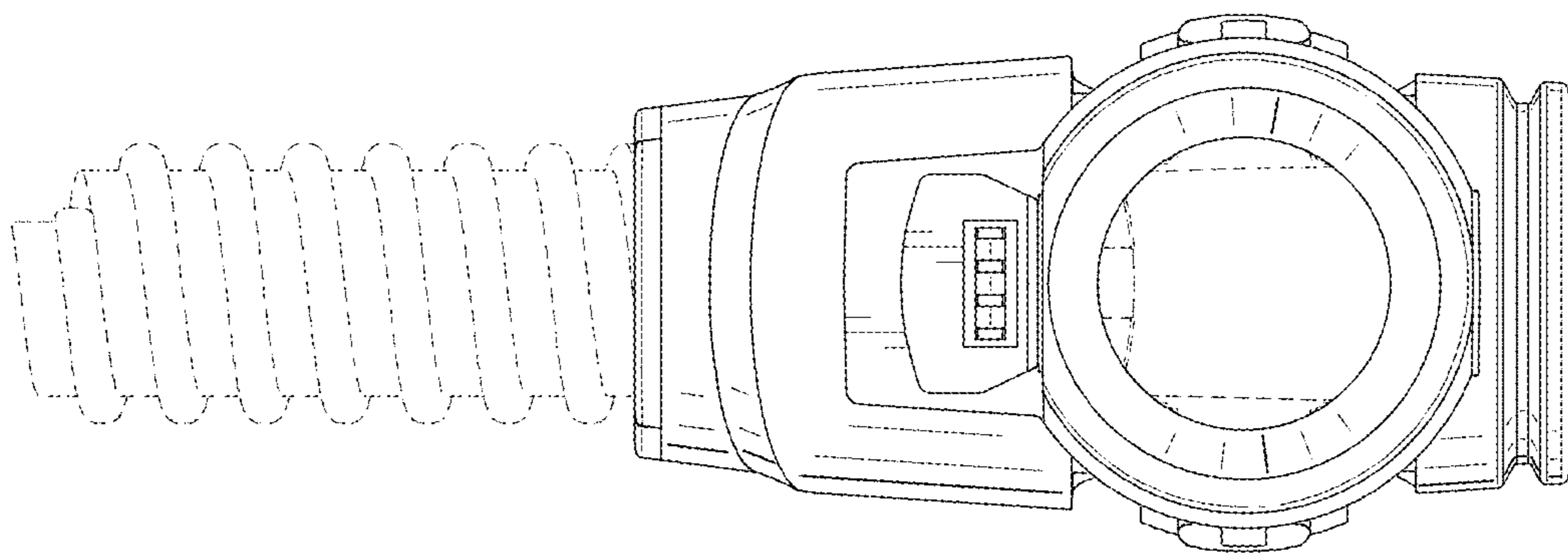


FIG. 6

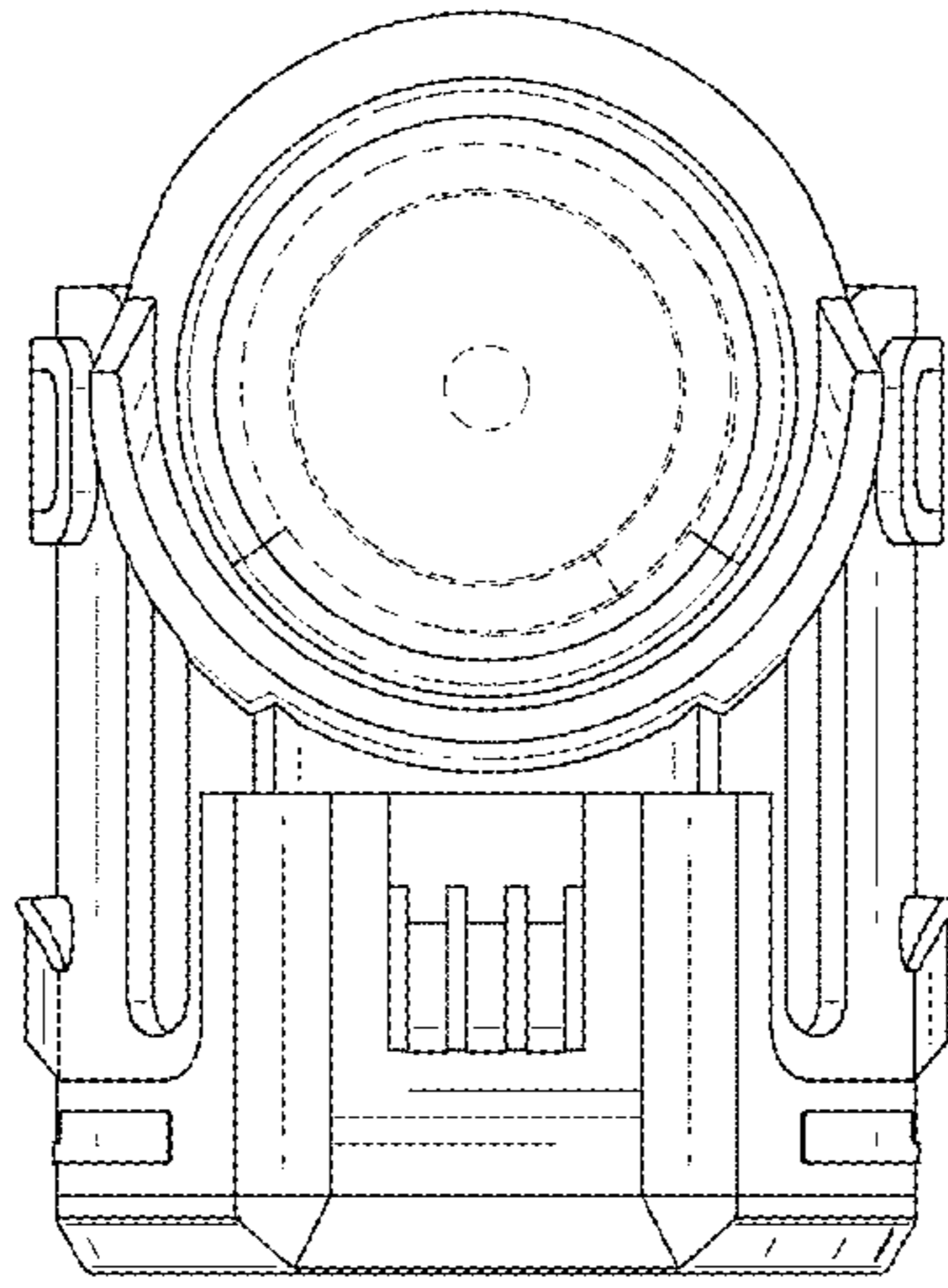


FIG. 7

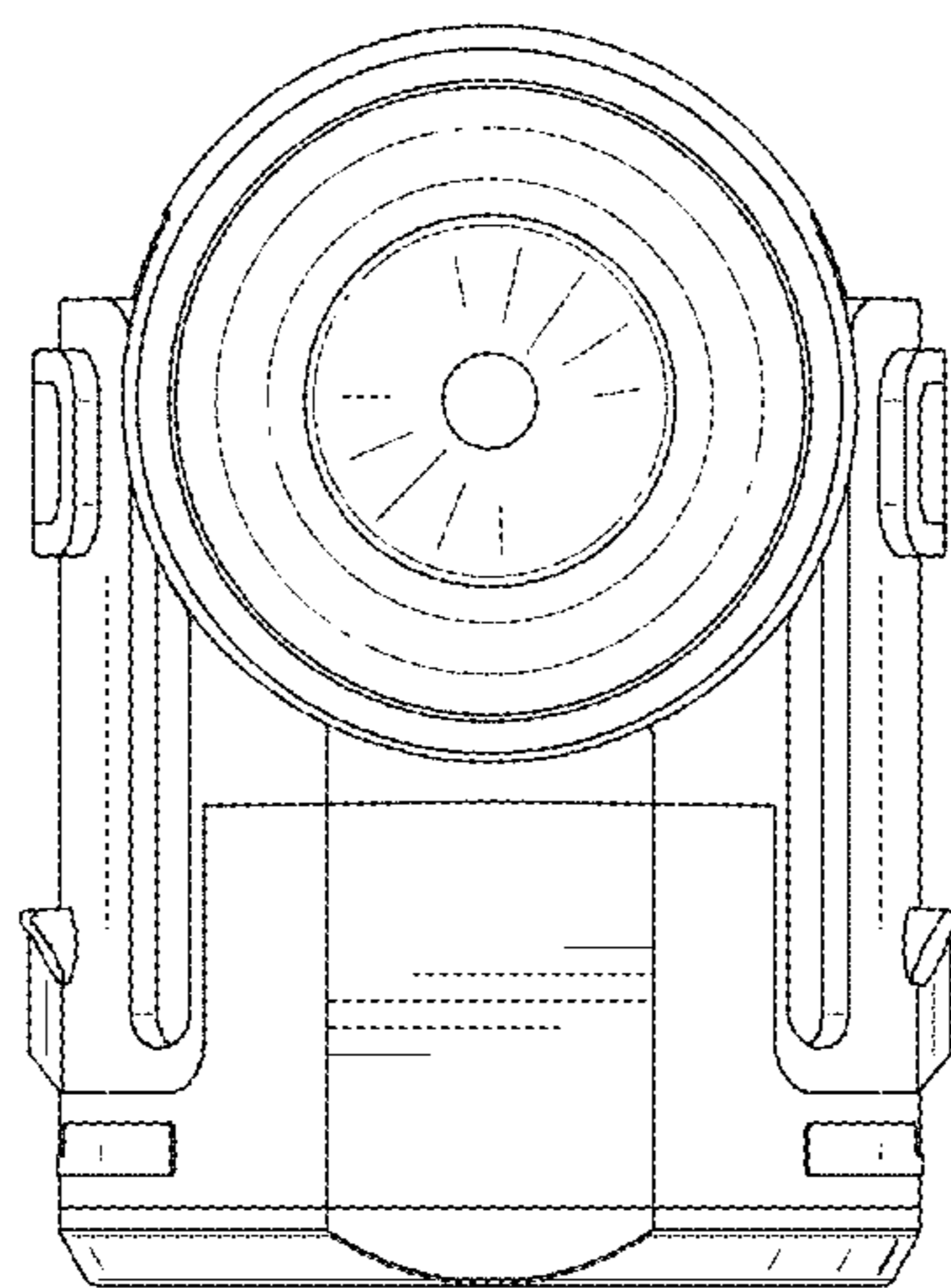


FIG. 8

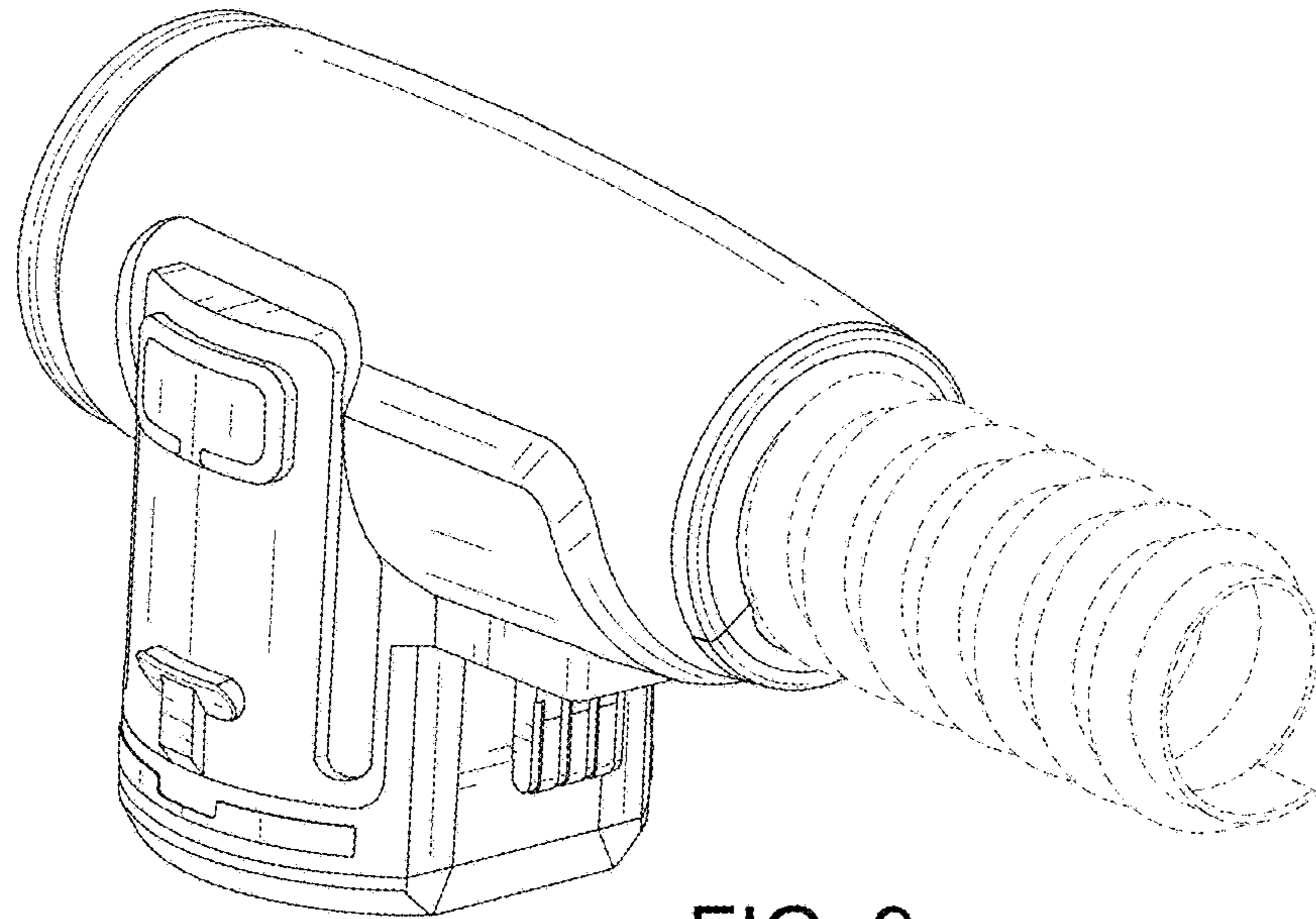


FIG. 9

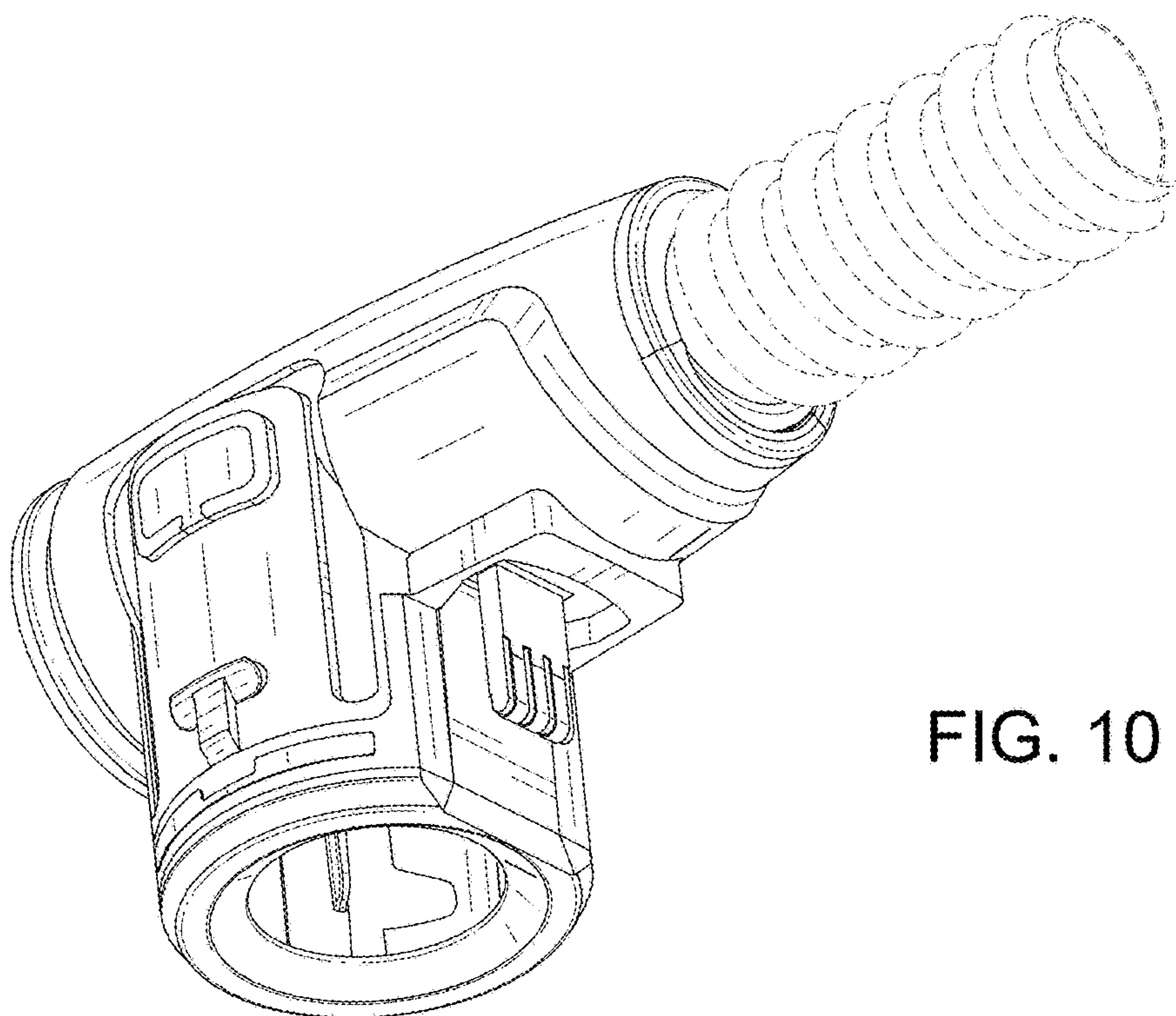


FIG. 10



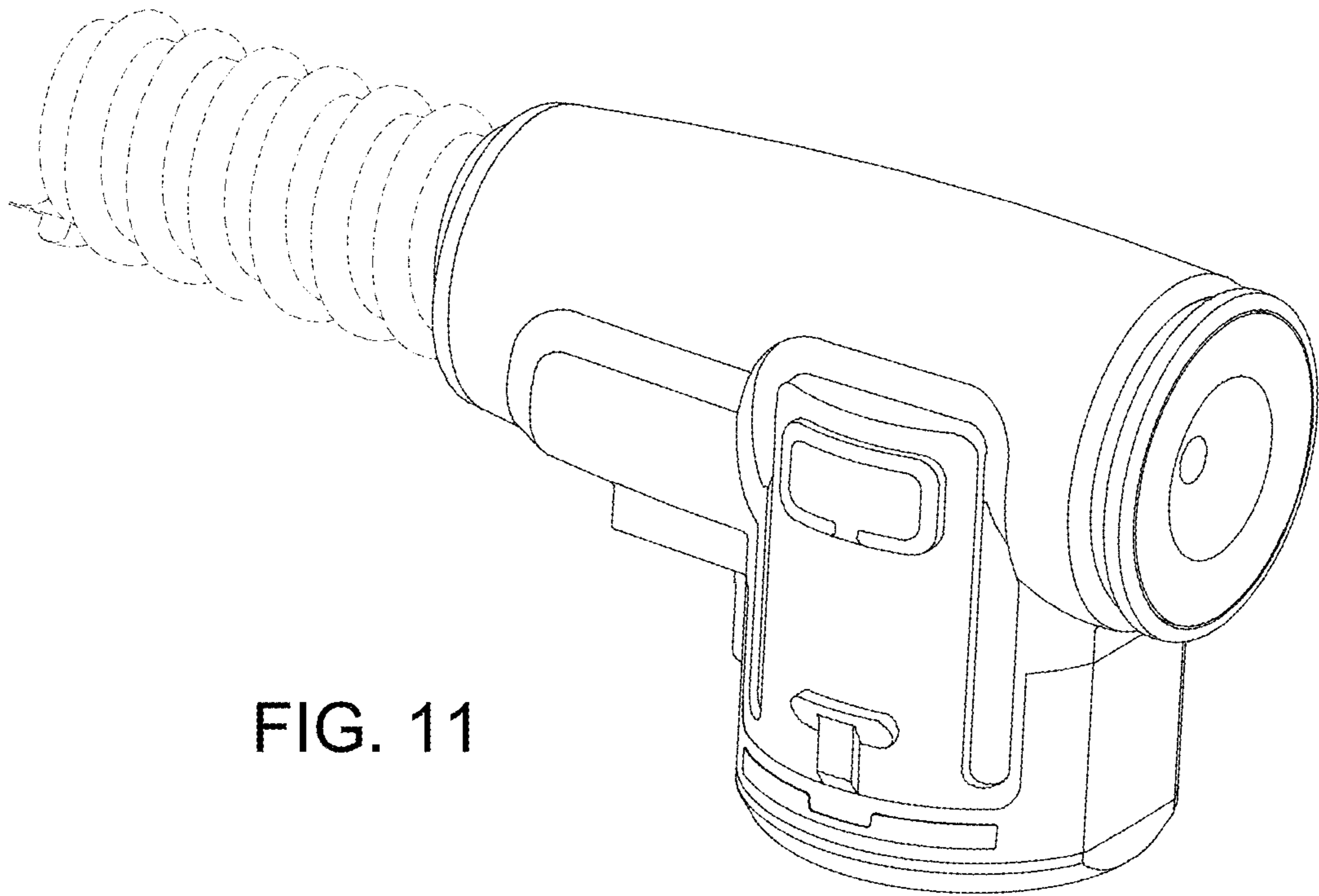


FIG. 11

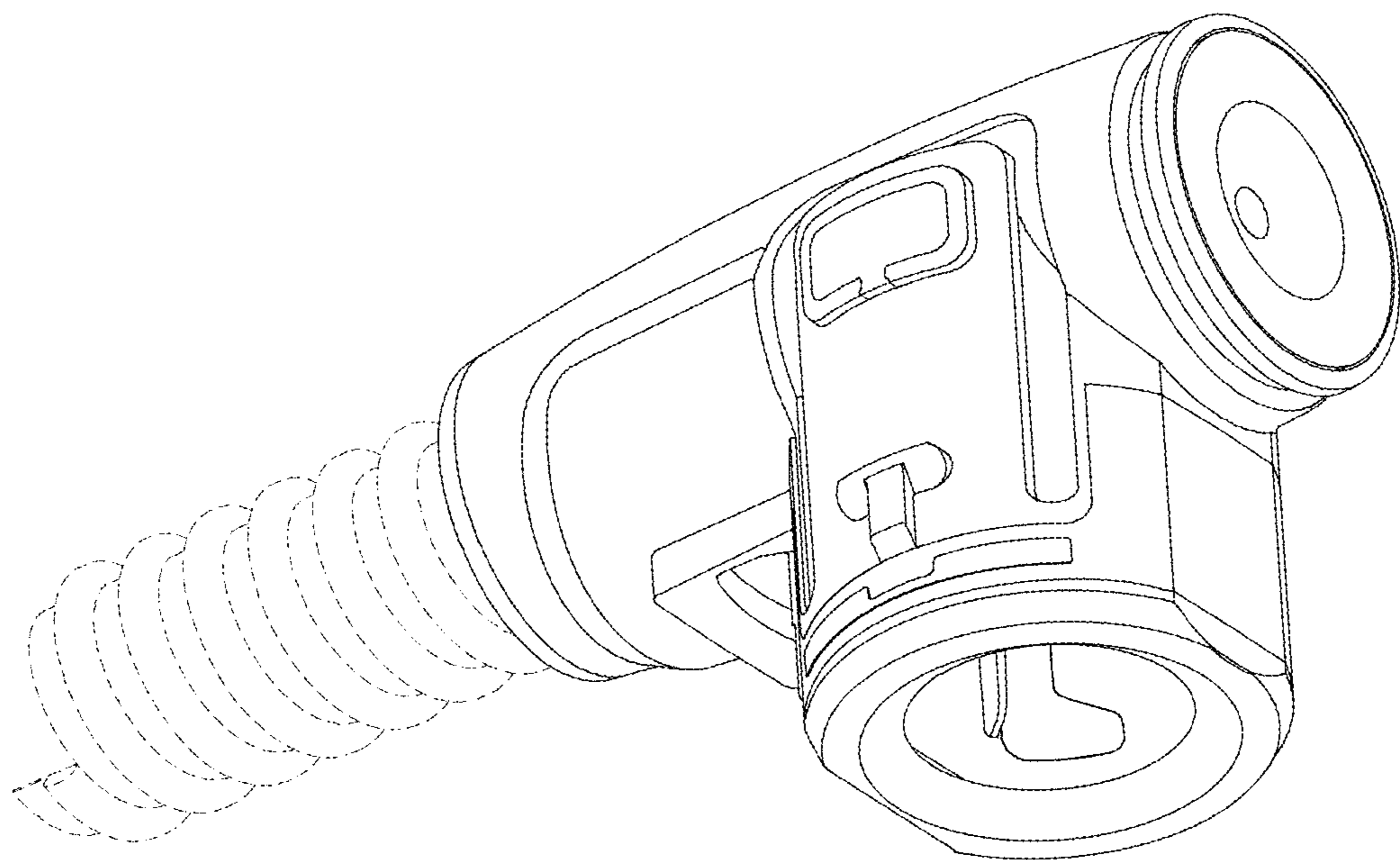


FIG. 12

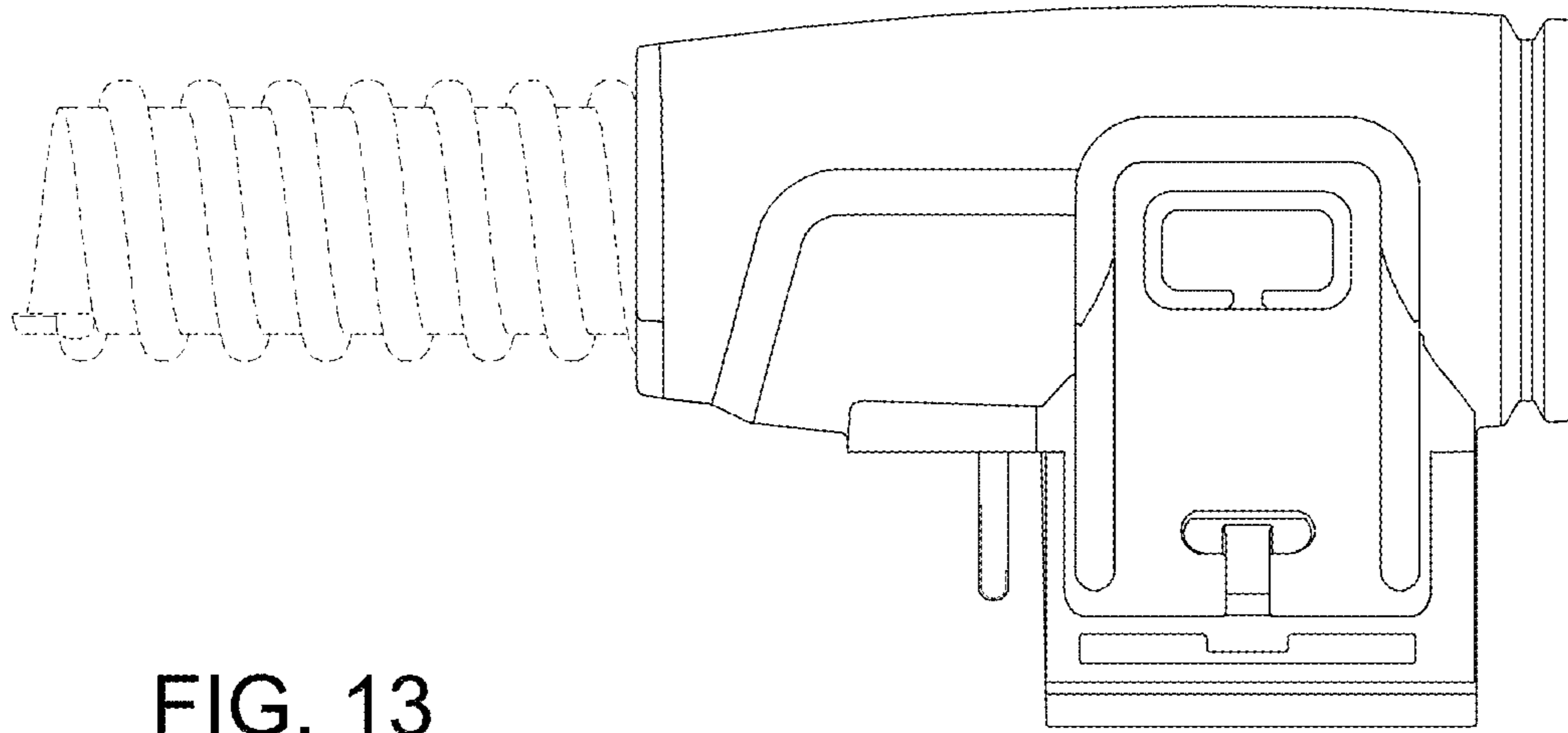


FIG. 13

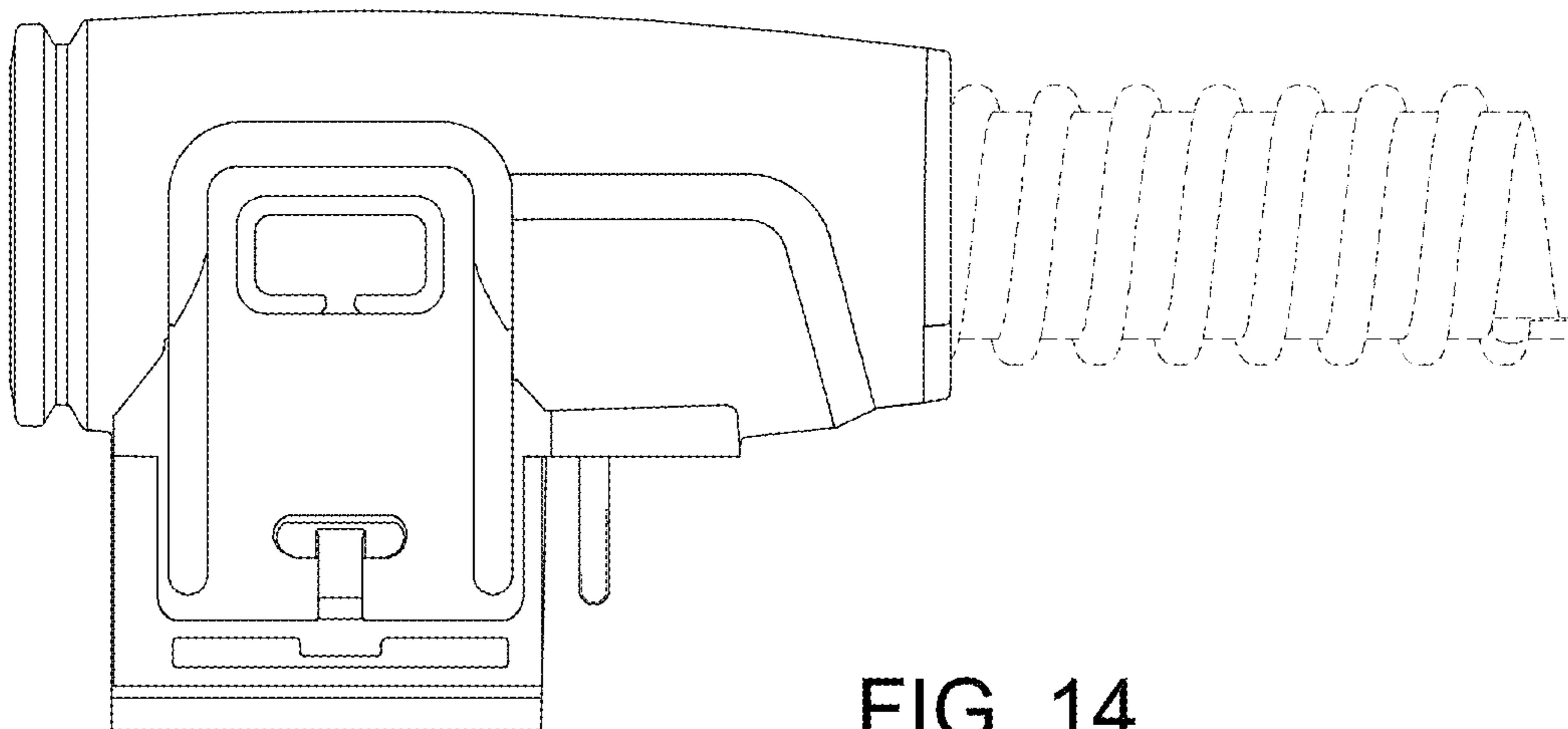


FIG. 14

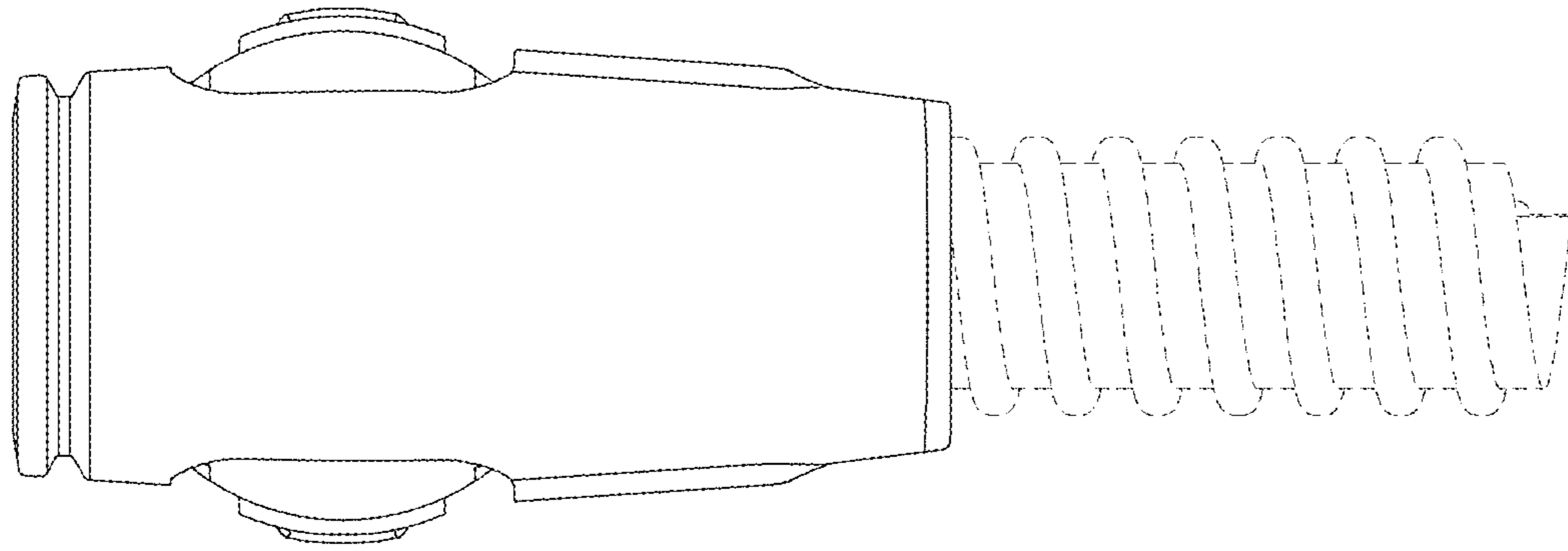


FIG. 15

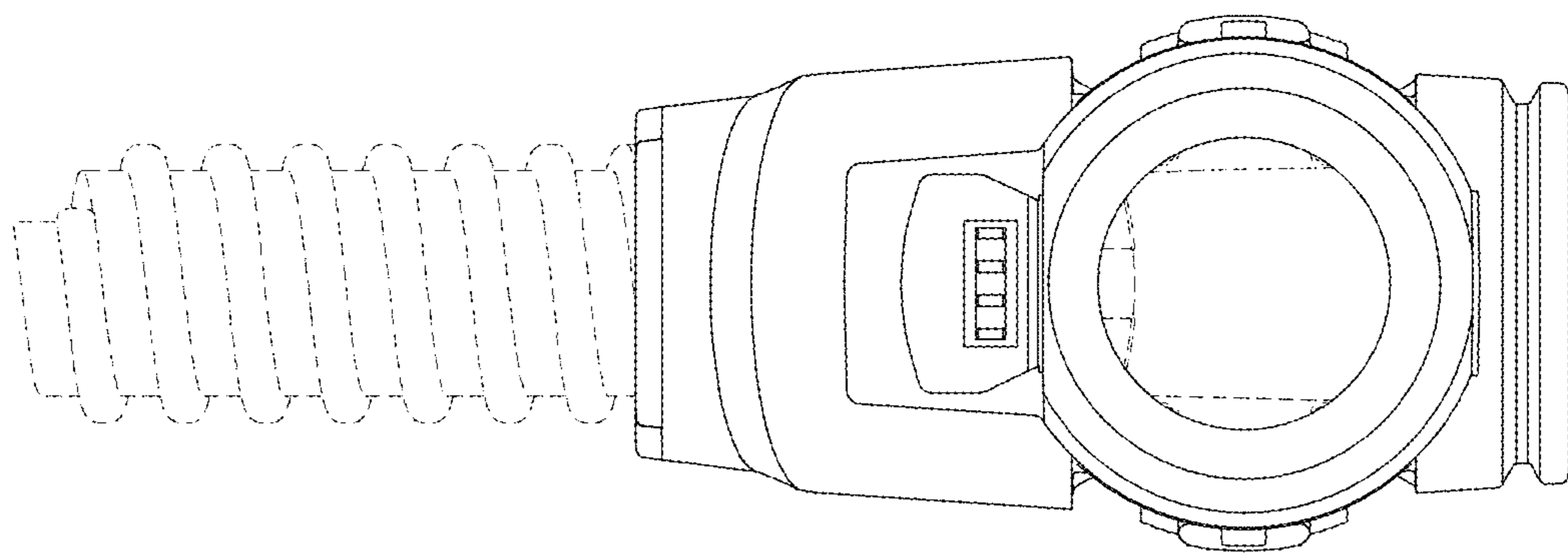


FIG. 16

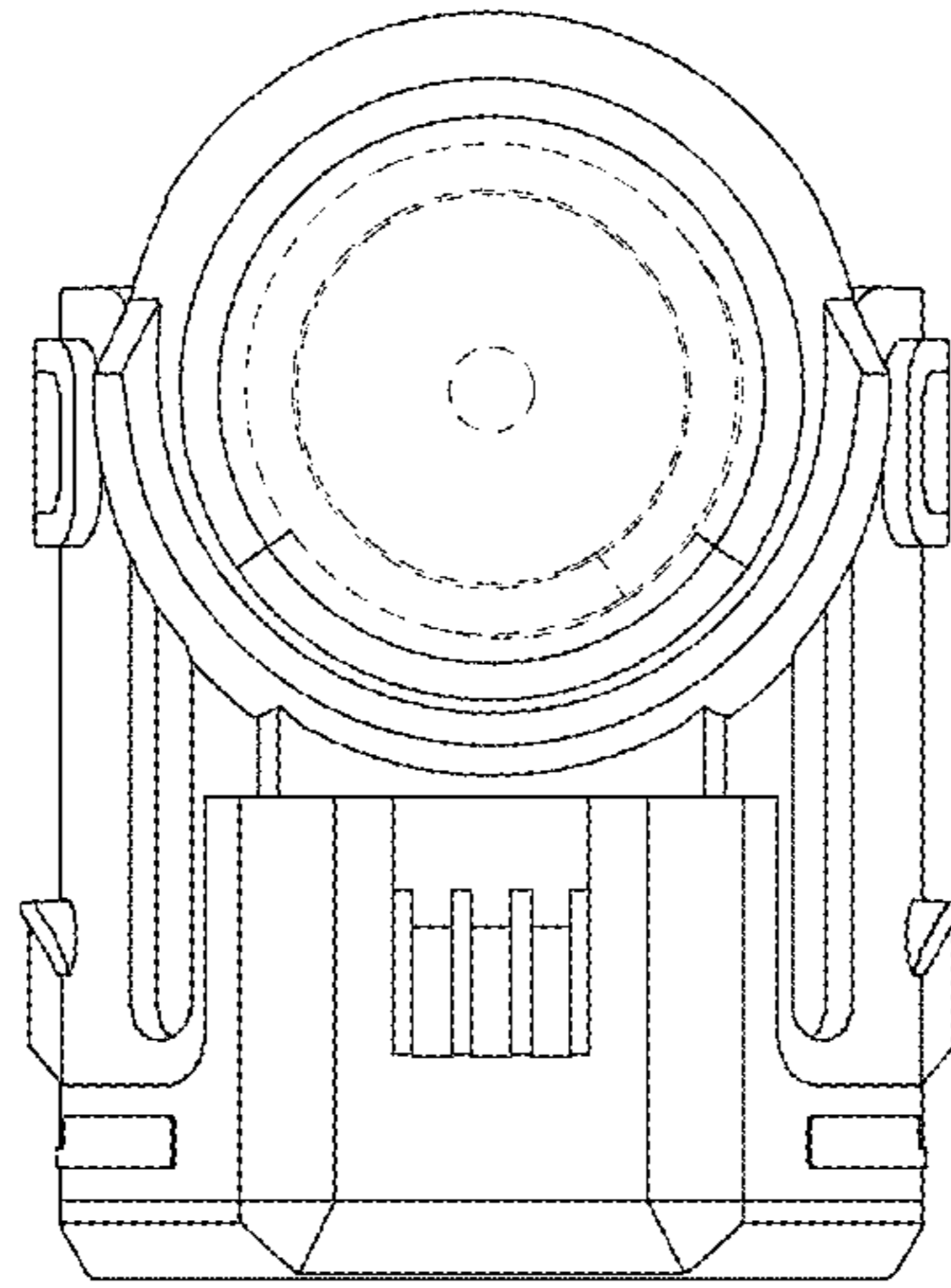


FIG. 17

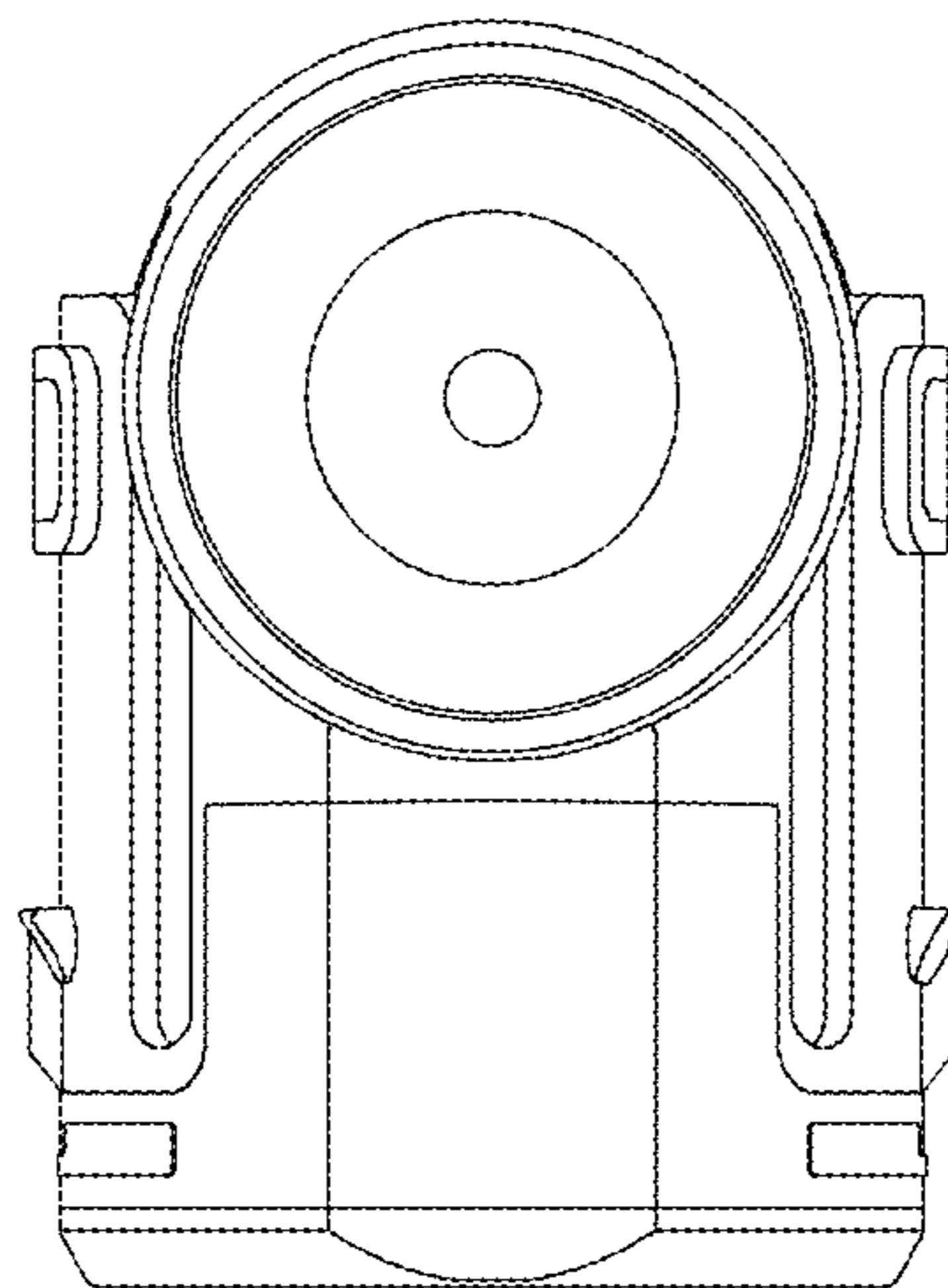


FIG. 18

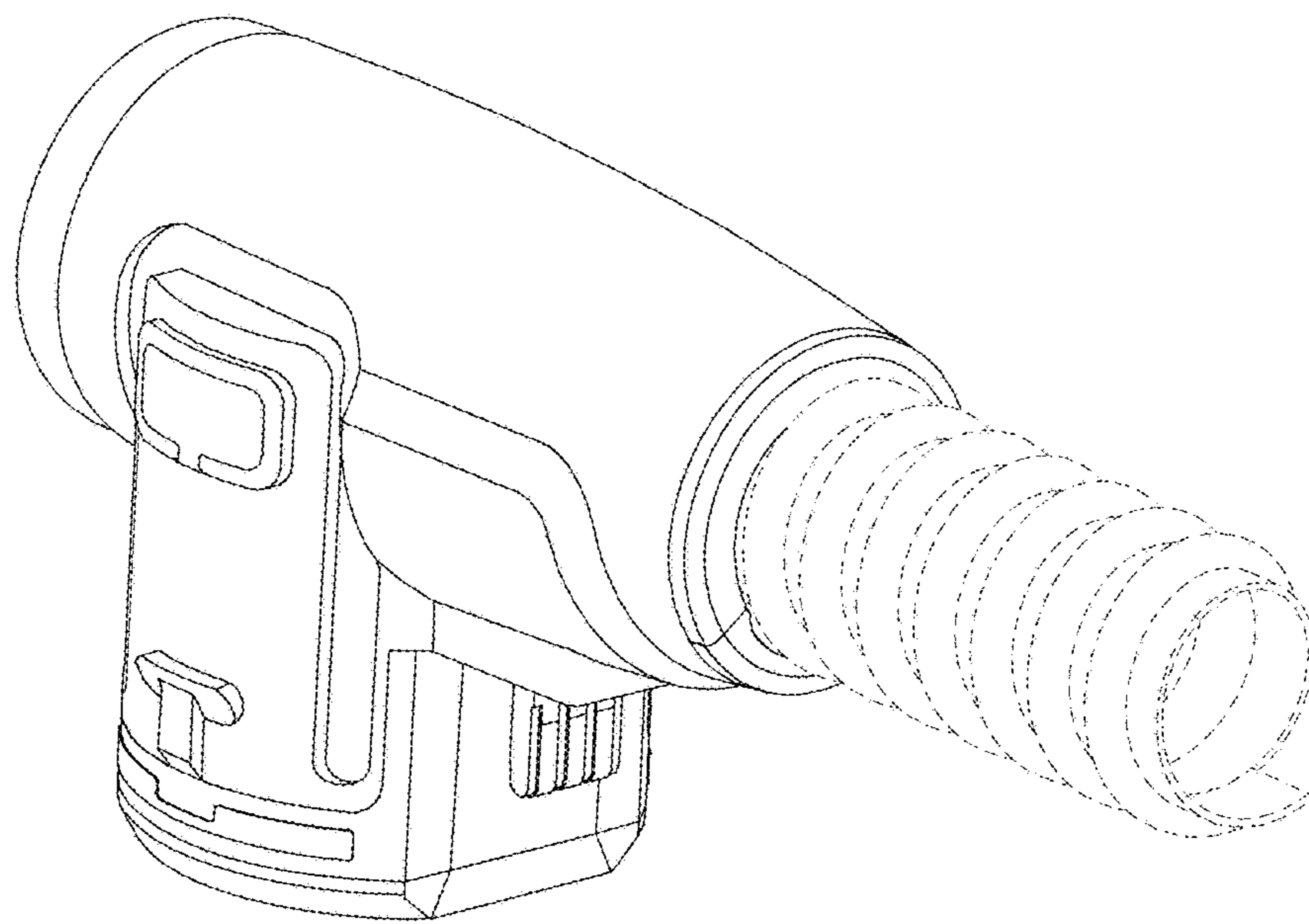


FIG. 19

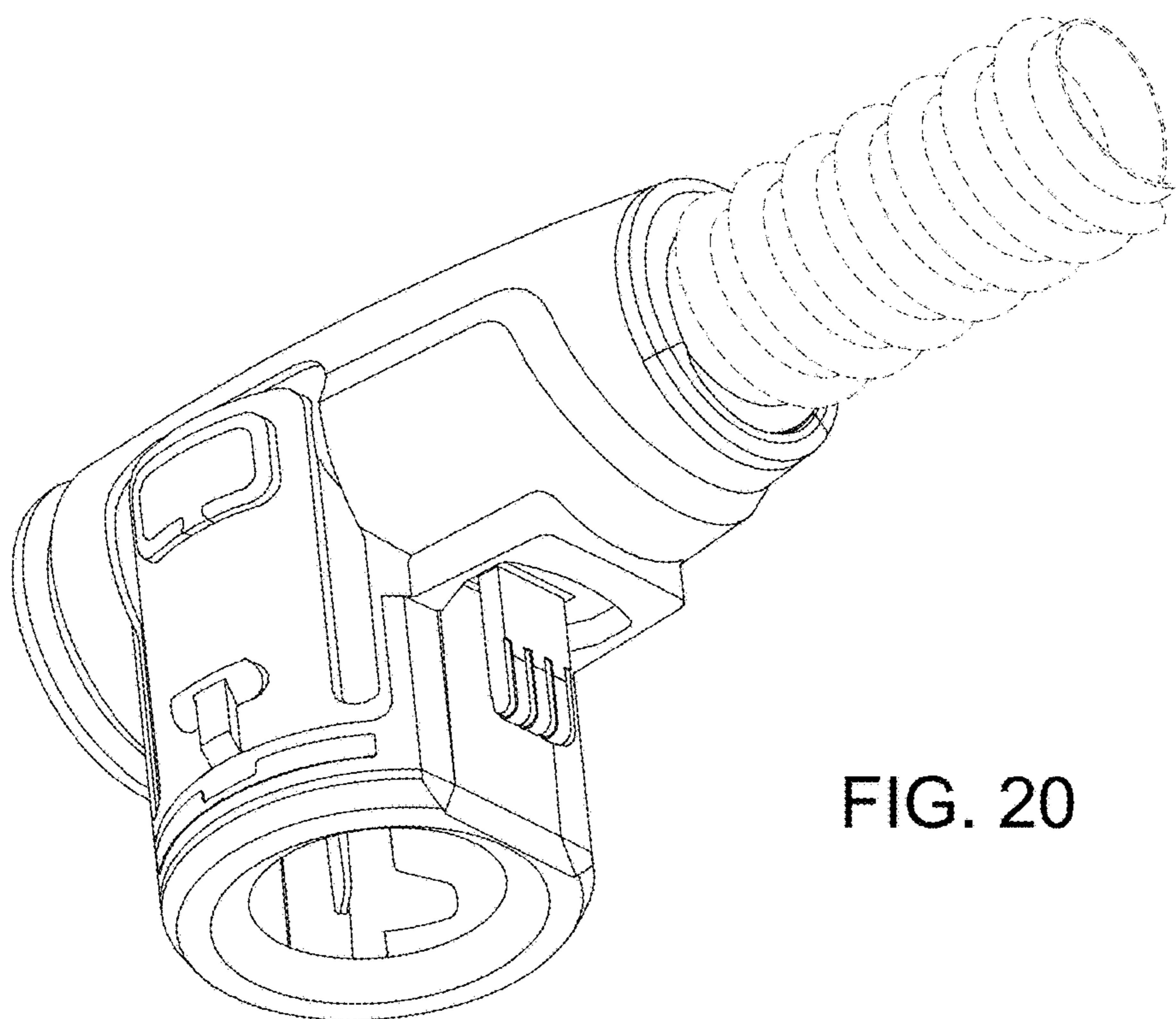


FIG. 20