



US00D806857S

(12) **United States Design Patent**
Hua

(10) **Patent No.:** **US D806,857 S**

(45) **Date of Patent:** **** *Jan. 2, 2018**

- (54) **SUPER-MICRO NEBULIZER**
- (71) Applicant: **SHENZHEN LFS MEDICAL DEVICE CO., LTD.**, Shenzhen, Guangdong (CN)
- (72) Inventor: **Edward Hua**, Guangdong (CN)
- (73) Assignee: **SHENZHEN LFS MEDICAL DEVICE CO., LTD.**, Shenzhen, Guangdong (CN)
- (*) Notice: This patent is subject to a terminal disclaimer.
- (**) Term: **14 Years**
- (21) Appl. No.: **29/494,283**
- (22) Filed: **Jun. 19, 2014**
- (51) **LOC (11) Cl.** **29-02**
- (52) **U.S. Cl.**
USPC **D24/110**
- (58) **Field of Classification Search**
USPC D24/107, 108, 110, 111, 164
CPC A61M 15/0065; A61M 15/0091; A61M 15/0021; A61M 15/0026; A61M 15/00; A61M 11/00; A61M 11/02; A61M 11/04
See application file for complete search history.

| | | | | | |
|--------------|-----|---------|-----------|-------|--------------------------|
| 2008/0083409 | A1* | 4/2008 | Hamaguchi | | A61M 11/06 128/200.24 |
| 2010/0319687 | A1* | 12/2010 | Esaki | | A61M 11/06 128/200.23 |
| 2012/0085343 | A1* | 4/2012 | Cortez | | A61M 11/02 128/200.14 |
| 2012/0227735 | A1* | 9/2012 | Abate | | A61M 11/06 128/200.14 |
| 2014/0000597 | A1* | 1/2014 | Korneff | | A61M 11/06 128/203.12 |
| 2014/0048062 | A1* | 2/2014 | Faram | | A61M 11/00 128/200.18 |
| 2014/0166010 | A1* | 6/2014 | Varga | | A61M 16/14 128/203.29 |
| 2014/0263740 | A1* | 9/2014 | Esaki | | B05B 7/064 239/302 |
| 2015/0231341 | A1* | 8/2015 | Korneff | | A61M 11/02 128/200.23 |

* cited by examiner

Primary Examiner — Barbara Fox
Assistant Examiner — Lilyana Bekic
 (74) *Attorney, Agent, or Firm* — Jackson IPG PLLC;
 Demian K. Jackson

(57) **CLAIM**

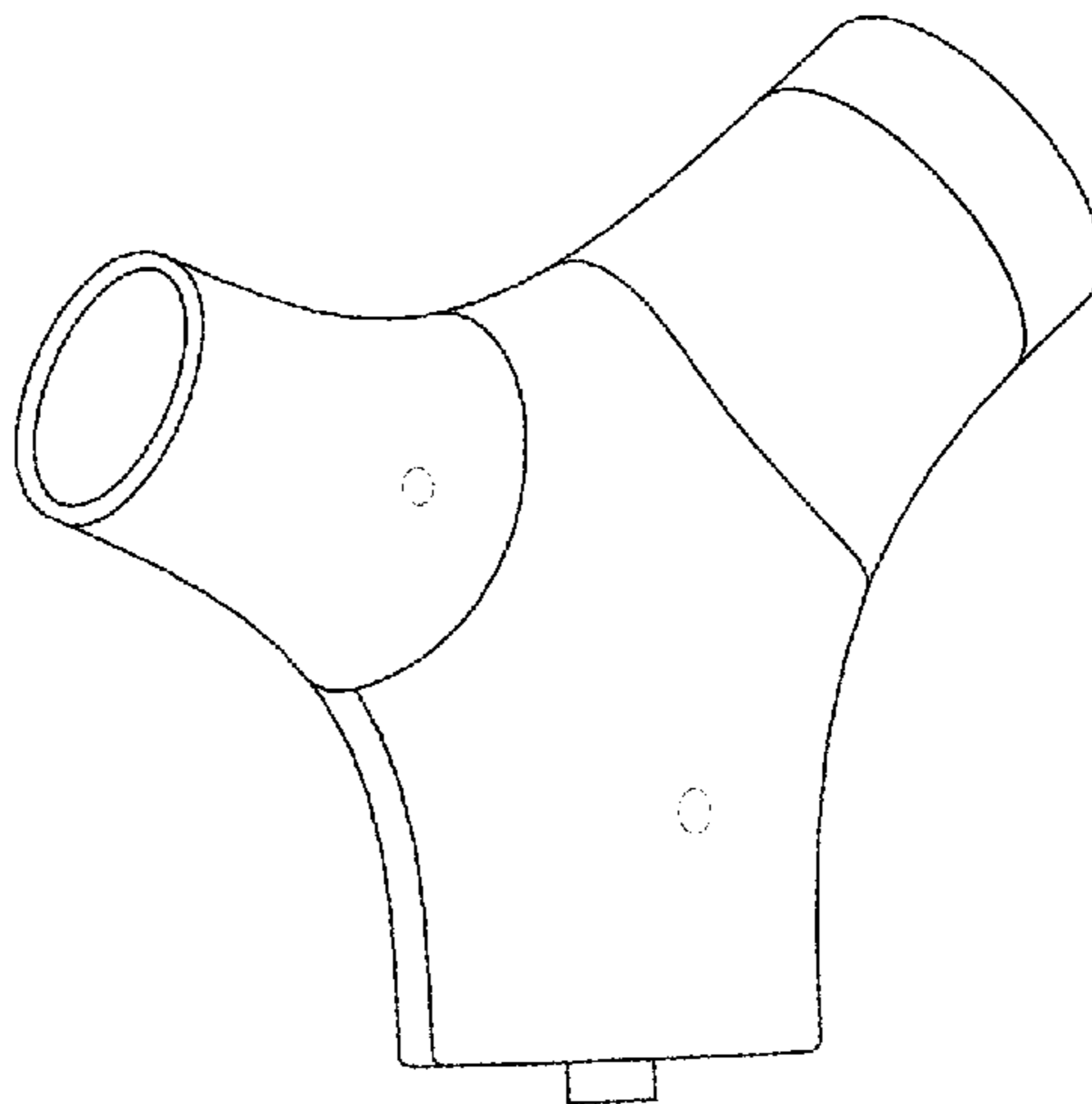
The ornamental design for a super-micro nebulizer, as shown and described.

DESCRIPTION

FIG. 1 is a front side perspective view of a super-micro nebulizer showing my new design;
 FIG. 2 is a front elevational view thereof;
 FIG. 3 is a rear elevational view thereof;
 FIG. 4 is a left side elevational view thereof;
 FIG. 5 is a right side elevational view thereof;
 FIG. 6 is a top plan view thereof; and,
 FIG. 7 is a bottom plan view thereof.
 The broken lines illustrate portions of the respiratory apparatus which form no part of the claim design.

1 Claim, 7 Drawing Sheets

- (56) **References Cited**
U.S. PATENT DOCUMENTS
- D441,069 S * 4/2001 Hammarlund D24/110
- 6,929,003 B2 * 8/2005 Blacker A61M 11/06
128/200.24
- 7,270,123 B2 * 9/2007 Grychowski A61M 11/06
128/200.14
- 8,596,263 B2 * 12/2013 Piper A61M 11/06
128/200.14
- 8,677,989 B2 * 3/2014 Tanaka A61M 11/06
128/200.18
- 2003/0136399 A1 * 7/2003 Foley A61M 11/06
128/200.14



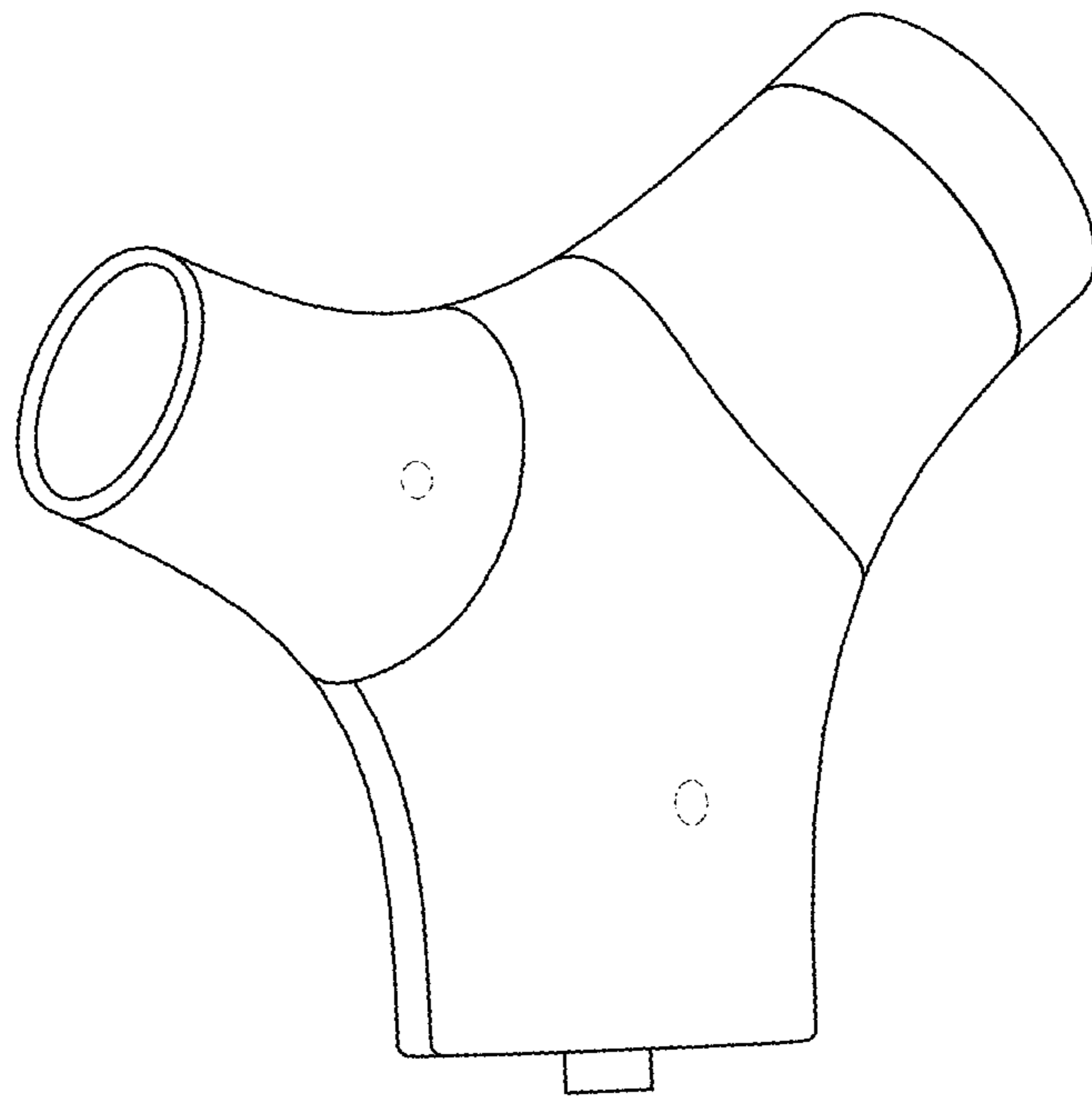


FIG. 1

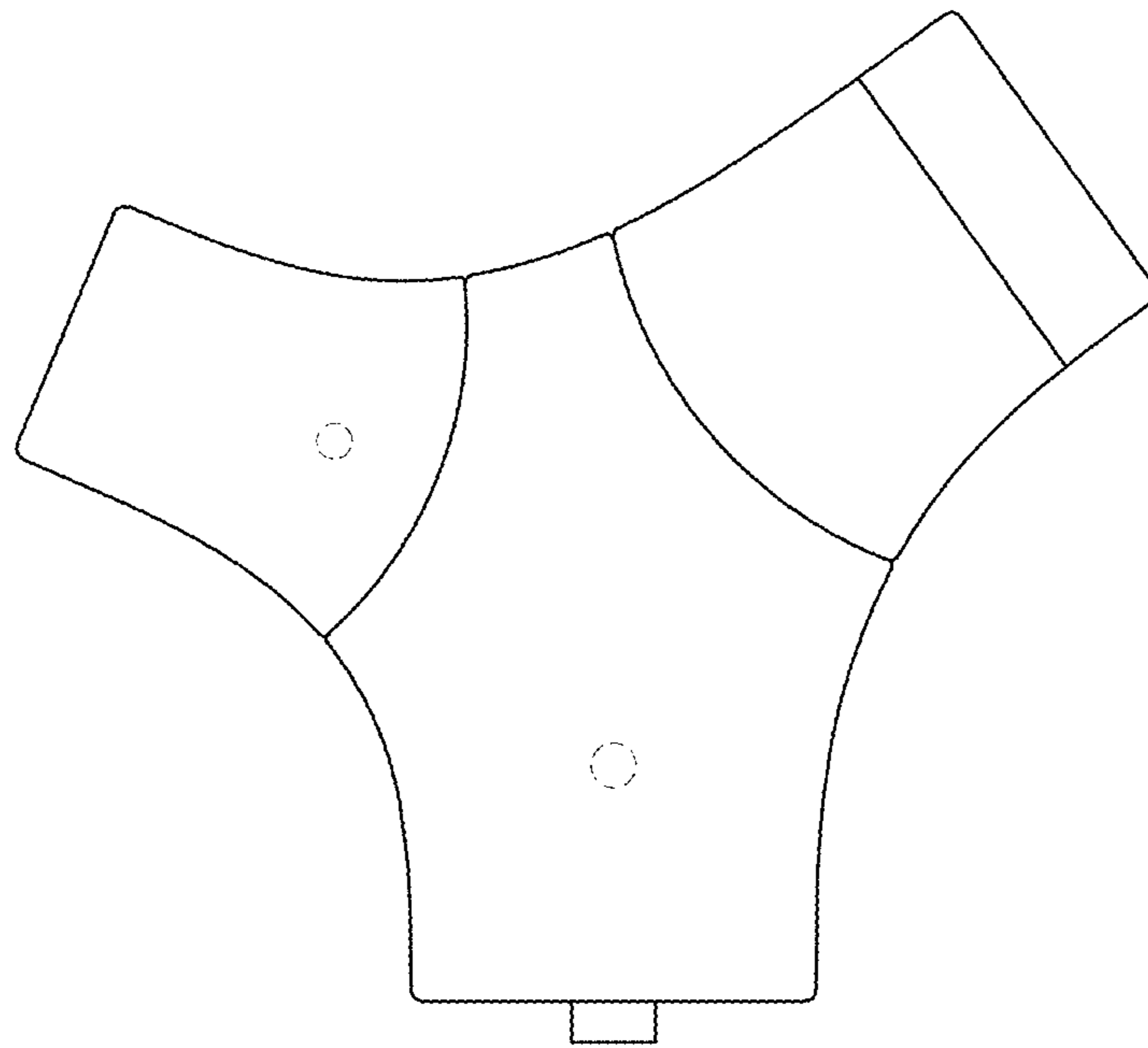


FIG. 2

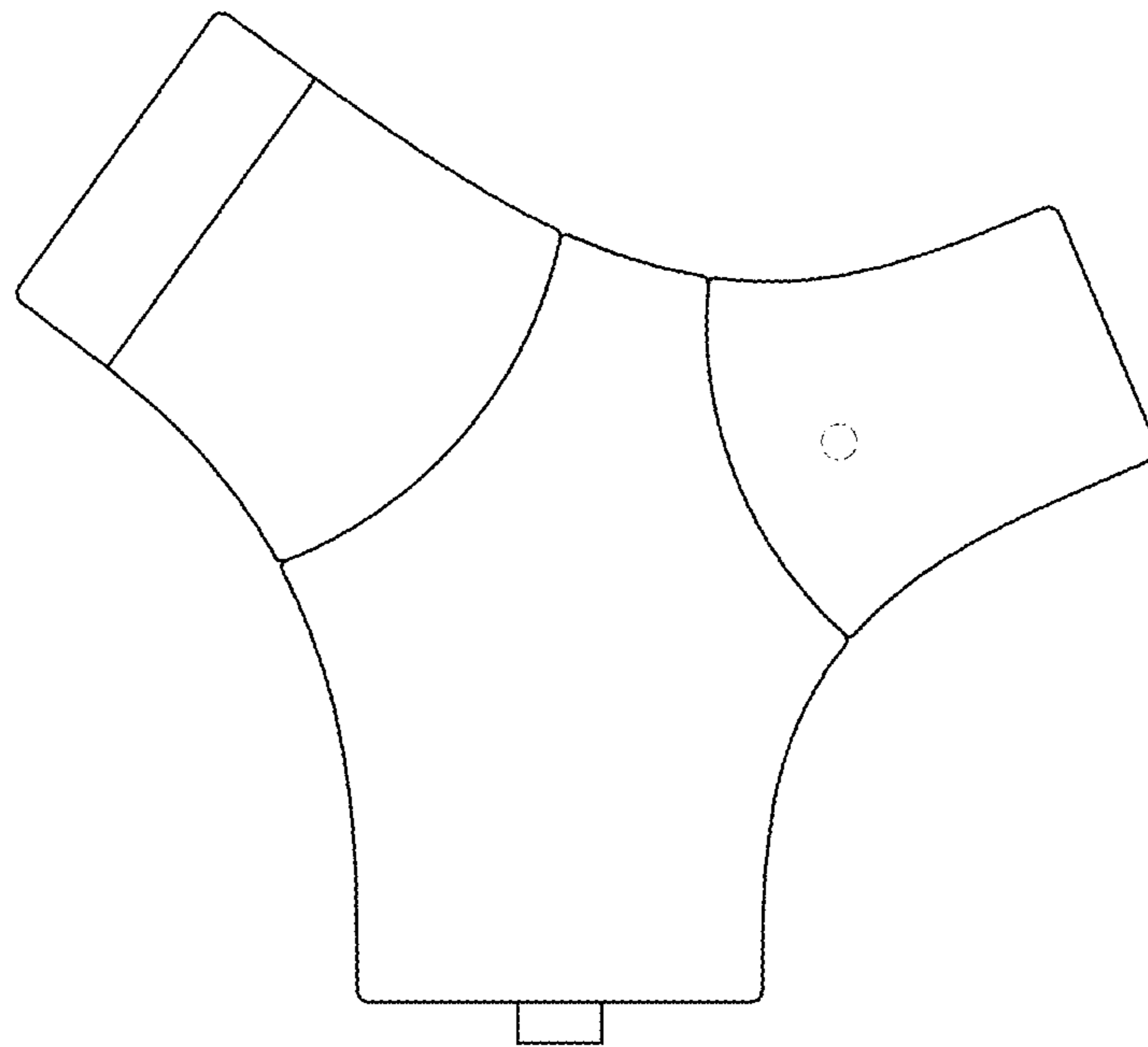


FIG. 3

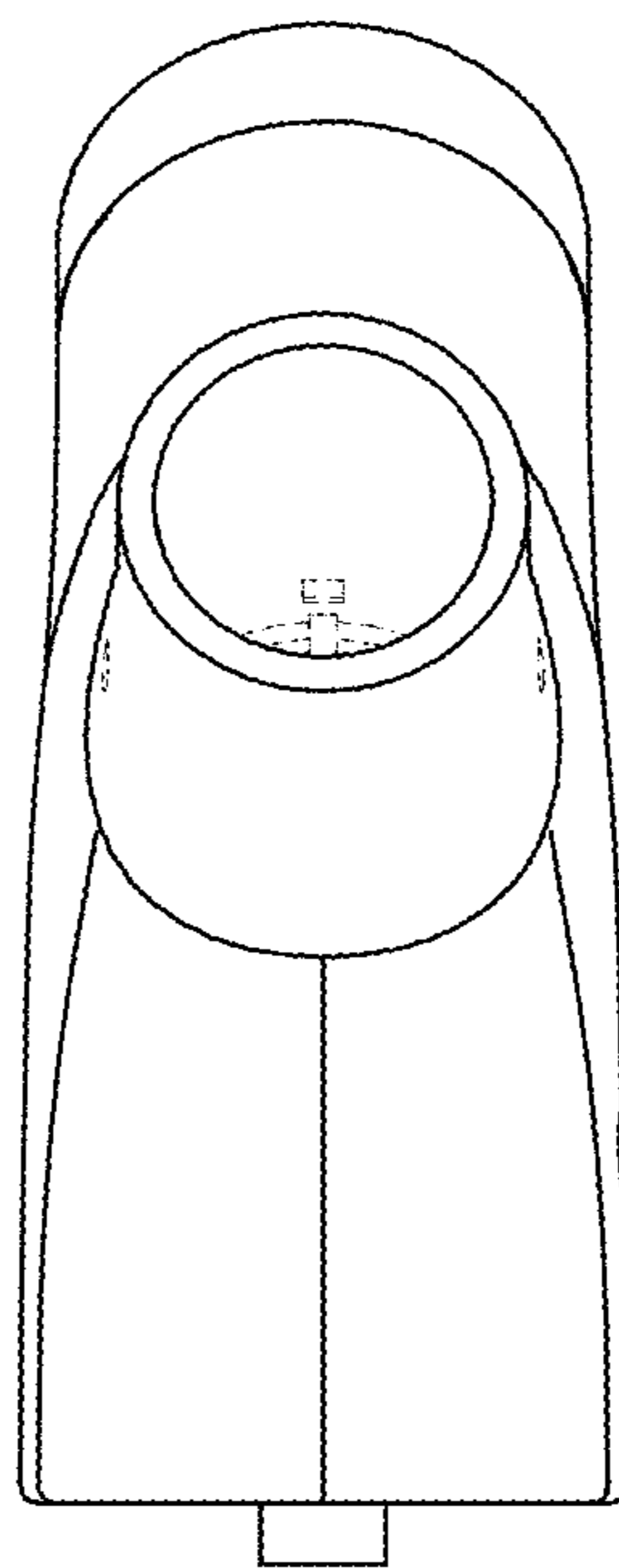


FIG. 4

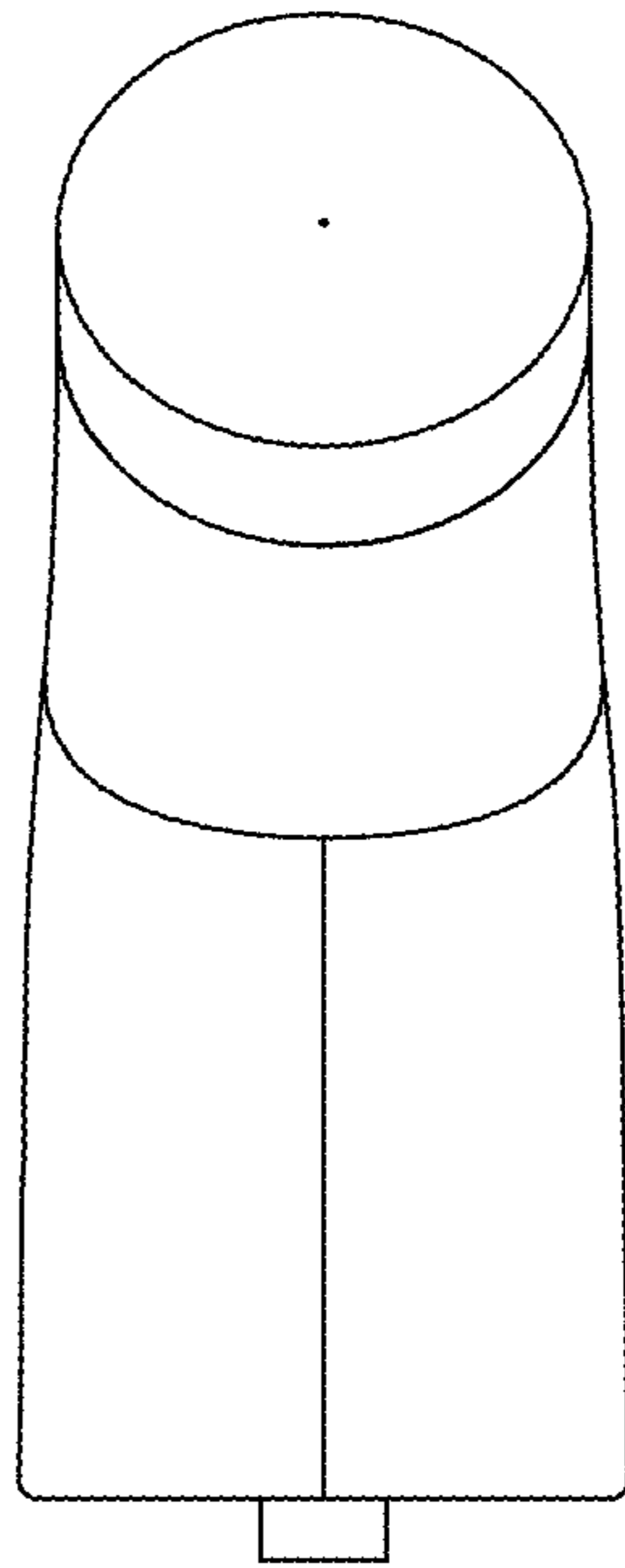


FIG. 5

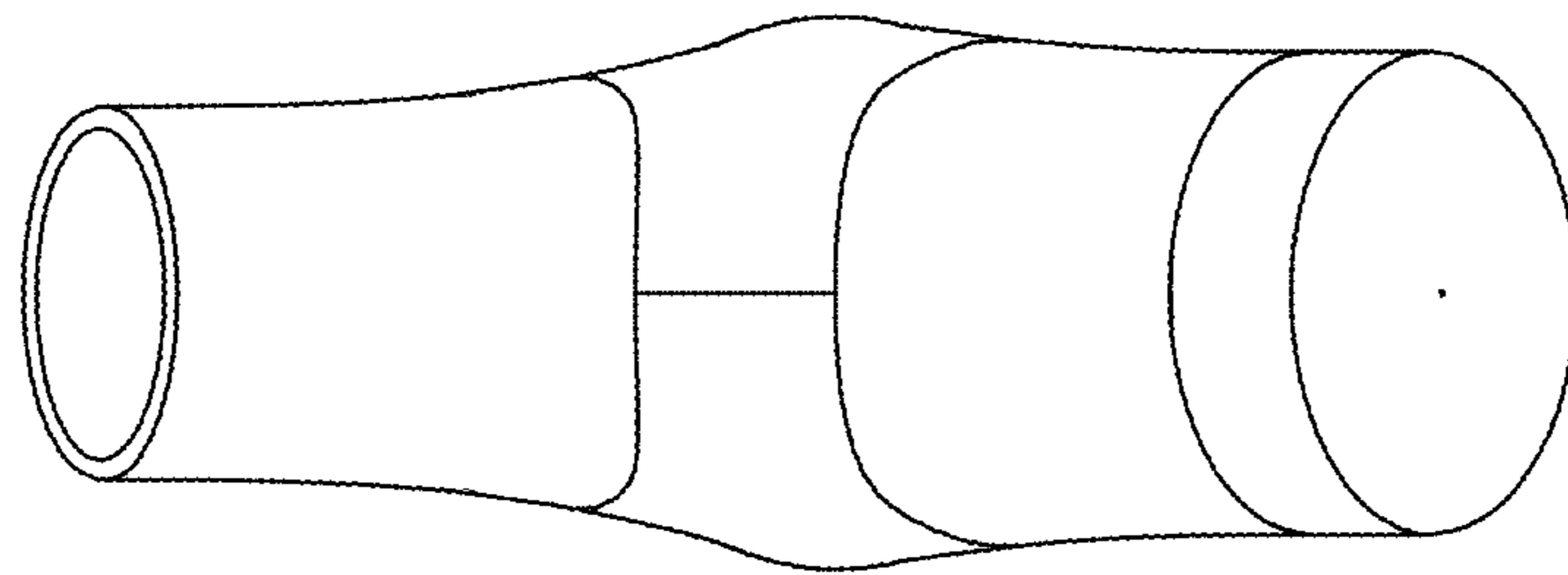


FIG. 6

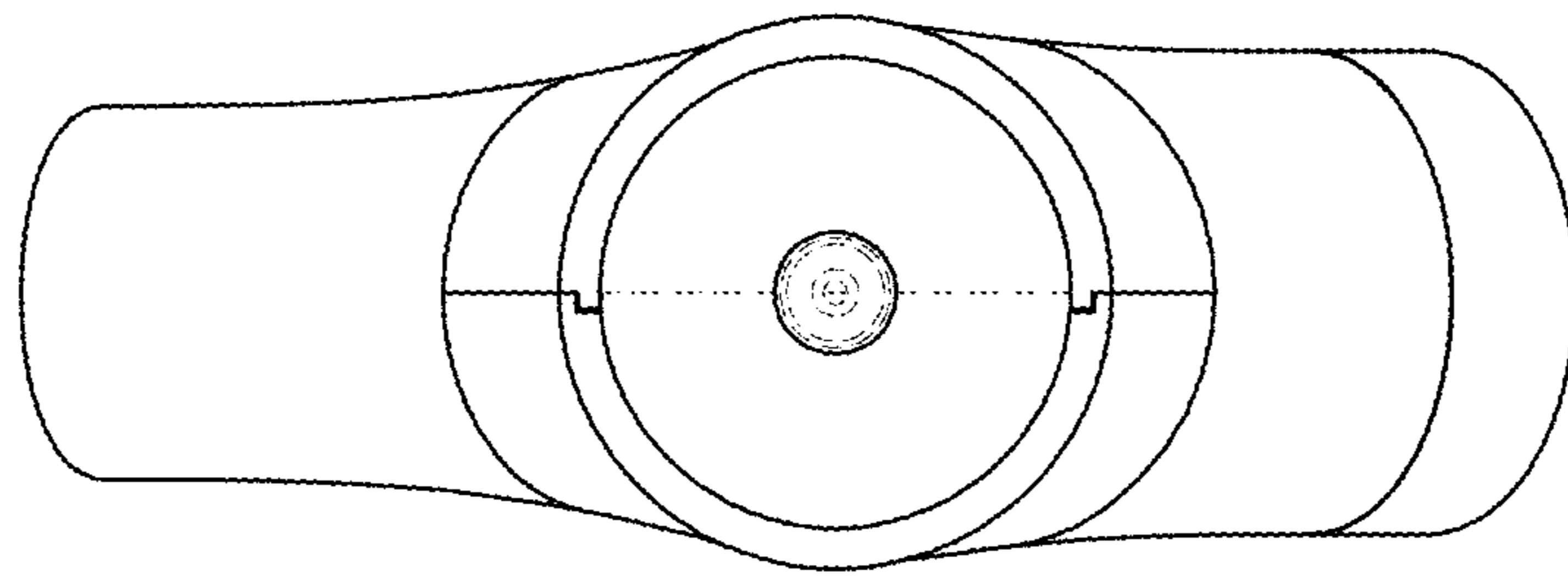


FIG. 7