



US00D806854S

(12) **United States Design Patent**  
**Urano**

(10) **Patent No.:** **US D806,854 S**  
(45) **Date of Patent:** **\*\* Jan. 2, 2018**

(54) **AIR-CONDITIONING OUTLET**

(71) Applicant: **KIMURA KOHKI CO., LTD.**,  
Osaka-shi, Osaka (JP)

(72) Inventor: **Katsuhiro Urano**, Sakai (JP)

(73) Assignee: **KIMURA KOHKI CO., LTD.**,  
Osaka-shi, Osaka (JP)

(\*\*) Term: **15 Years**

(21) Appl. No.: **29/561,876**

(22) Filed: **Apr. 20, 2016**

(30) **Foreign Application Priority Data**

Oct. 20, 2015 (JP) ..... 2015-023205

(51) **LOC (11) Cl.** ..... **23-04**

(52) **U.S. Cl.**  
USPC ..... **D23/388**

(58) **Field of Classification Search**  
USPC ..... D23/387, 388, 385, 386, 393, 397;  
D6/703; D8/400; D25/48.3  
CPC .. F23M 7/04; F24F 12/00; F24F 13/00; F24F  
13/0227; F24F 13/0236  
See application file for complete search history.

(56) **References Cited**

**U.S. PATENT DOCUMENTS**

1,441,070	A *	1/1923	Edin	.....	F24F 13/08 454/276
2,917,292	A *	12/1959	Hittrich	.....	B01J 19/32 165/166
2,963,783	A *	12/1960	Field	.....	B21C 37/28 285/183
3,187,660	A *	6/1965	Lazerson	.....	F21V 33/0088 362/260
3,313,343	A *	4/1967	Ware	.....	F28F 3/022 165/166
3,742,659	A *	7/1973	Drew	.....	F24F 13/00 285/44

(Continued)

**OTHER PUBLICATIONS**

Round ceiling outlet, image post date Tuesday, Dec. 7, 2010, site visited Jun. 11, 2017, (online), <[http://www.optimumair.com.au/ducted\\_systems.htm](http://www.optimumair.com.au/ducted_systems.htm)>.\*

(Continued)

*Primary Examiner* — Kevin Rudzinski

*Assistant Examiner* — Sean D Lough

(74) *Attorney, Agent, or Firm* — Alleman Hall Creasman & Tuttle LLP

(57) **CLAIM**

The ornamental design for an air-conditioning outlet, as shown and described.

**DESCRIPTION**

FIG. 1 is a left side view of an ornamental design for an air-conditioning outlet showing my new design, a right side view being a mirror view of the left side view.

FIG. 2 is a rear view of the air-conditioning outlet of FIG. 1.

FIG. 3 is a front view of the air-conditioning outlet of FIG. 1.

FIG. 4 is a top view of the air-conditioning outlet of FIG. 1.

FIG. 5 is a bottom view of the air-conditioning outlet of FIG. 1.

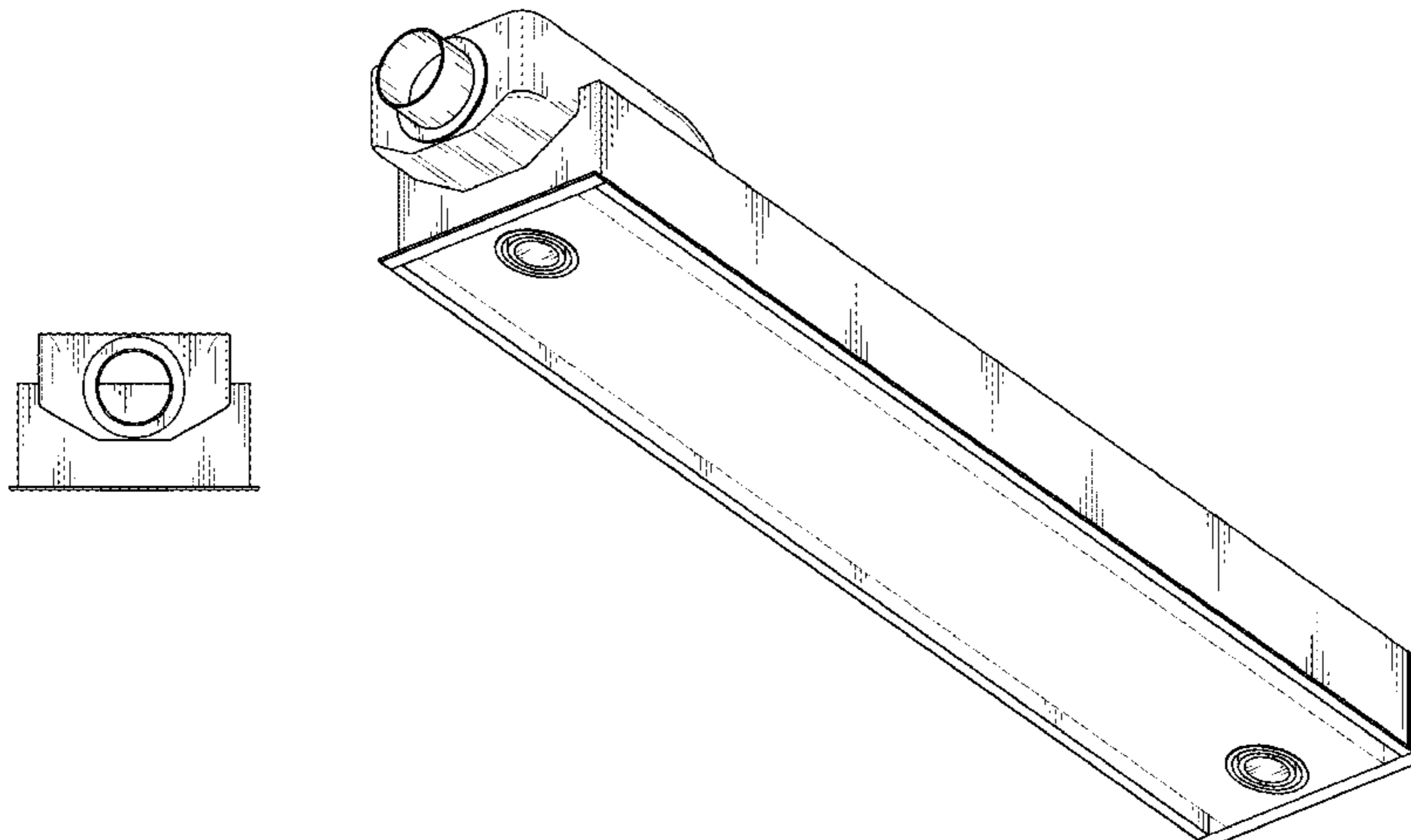
FIG. 6 is a bottom perspective view of the air-conditioning outlet of FIG. 1.

FIG. 7 is a section view of the air-conditioning outlet taken along 7-7 in FIG. 1; and,

FIG. 8 is a section view of the air-conditioning outlet of FIG. 1 taken along 8-8 in FIG. 4.

The dashed lines in FIGS. 5-8 show a panel of the air-conditioning outlet, and form no part of the claimed design.

**1 Claim, 5 Drawing Sheets**



(56)

References Cited

U.S. PATENT DOCUMENTS

3,965,933 A \* 6/1976 Beaudin ..... F16L 41/02  
137/875  
4,434,564 A \* 3/1984 Braggins, Jr. .... D06F 58/20  
34/235  
D319,499 S \* 8/1991 Hague ..... D23/370  
D320,650 S \* 10/1991 Kujawa ..... D23/393  
D342,130 S \* 12/1993 Anderson ..... D23/263  
D342,782 S \* 12/1993 Anderson ..... D23/263  
D349,333 S \* 8/1994 King ..... D23/314  
D387,859 S \* 12/1997 Ukai ..... D23/370  
D394,101 S \* 5/1998 Hayashi ..... D23/370  
D404,122 S \* 1/1999 Hayashi ..... D23/370  
D412,564 S \* 8/1999 Pustelnik ..... D23/330  
D425,612 S \* 5/2000 Andersen ..... D23/263  
D470,584 S \* 2/2003 Elwell ..... D23/406  
D528,649 S \* 9/2006 Wilson ..... D23/411  
D543,652 S \* 5/2007 Hargreaves ..... D26/118  
D604,884 S \* 11/2009 Moritz ..... D26/76  
7,645,189 B2 \* 1/2010 Pilger ..... F24F 13/02  
248/57  
D626,268 S \* 10/2010 Santoro ..... D26/76  
D627,043 S \* 11/2010 Tanaka ..... D23/351  
D658,831 S \* 5/2012 Robinson ..... D32/25  
D663,828 S \* 7/2012 Portillo ..... D23/371  
8,342,233 B2 \* 1/2013 Kjellerstedt ..... F24F 1/0059  
165/47  
D676,952 S \* 2/2013 Hiner ..... D23/377  
D692,115 S \* 10/2013 Ramberg ..... D23/365  
D714,927 S \* 10/2014 Urano ..... D23/388  
D714,928 S \* 10/2014 Urano ..... D23/388  
D715,416 S \* 10/2014 Marino ..... D23/342  
D720,488 S \* 12/2014 Toyohisa ..... D26/74  
D751,247 S \* 3/2016 Reynolds ..... D26/118  
D752,200 S \* 3/2016 Huang ..... D23/385  
D754,835 S \* 4/2016 Uehara ..... D23/371  
D755,366 S \* 5/2016 Stevens ..... D23/393  
D756,498 S \* 5/2016 Norman ..... D23/355

D759,223 S \* 6/2016 Kosuge ..... D23/351  
D761,397 S \* 7/2016 DeNooy ..... D23/262  
9,399,510 B2 \* 7/2016 Rolfes ..... B64D 37/04  
D767,112 S \* 9/2016 Williams ..... D23/386  
D767,750 S \* 9/2016 Nakai ..... D23/388  
D770,604 S \* 11/2016 Buettner ..... D23/318  
D773,629 S \* 12/2016 Crisa' ..... D23/372  
D775,318 S \* 12/2016 Park ..... D23/385  
D776,796 S \* 1/2017 Denooy ..... D23/262  
9,580,923 B2 \* 2/2017 McDaniel, Jr. .... E04H 1/1205  
9,605,905 B2 \* 3/2017 Haglid ..... F28D 9/0081  
D785,154 S \* 4/2017 McPhilliamy ..... D23/364  
D785,776 S \* 5/2017 Hirano ..... D23/370  
D786,418 S \* 5/2017 Hirano ..... D23/370  
D787,559 S \* 5/2017 Nezar ..... D15/5  
2005/0017507 A1 \* 1/2005 Jensen ..... F16L 25/14  
285/197  
2007/0167127 A1 \* 7/2007 Wiley ..... F24F 13/0236  
454/229  
2010/0263829 A1 \* 10/2010 Kimura ..... F24F 1/01  
165/59  
2011/0048050 A1 \* 3/2011 Moteki ..... F24F 1/0007  
62/263  
2013/0337738 A1 \* 12/2013 Sanderson ..... F24F 13/08  
454/367

OTHER PUBLICATIONS

Williams—Horizontal Fan Coils, image post date Apr. 20, 2014, site visited Jun. 11, 2017, (online), <<https://web.archive.org/web/20140420011909/http://williamscomfortprod.com:80/product-category/fan-coils/>>.\*  
Sabiana—Skystar, image post date Jun. 10, 2012, site visited Jun. 11, 2017, (online), <<https://web.archive.org/web/20120610223835/http://www.sabiana.co.uk/skystar.html>>.\*  
Panasonic FV-11VH2, image post date 1999, site visited Jun. 11, 2017, (online), <<https://guide.alibaba.com/shopping-guides/ceiling-mounted-fan-coil-units.html>>.\*

\* cited by examiner

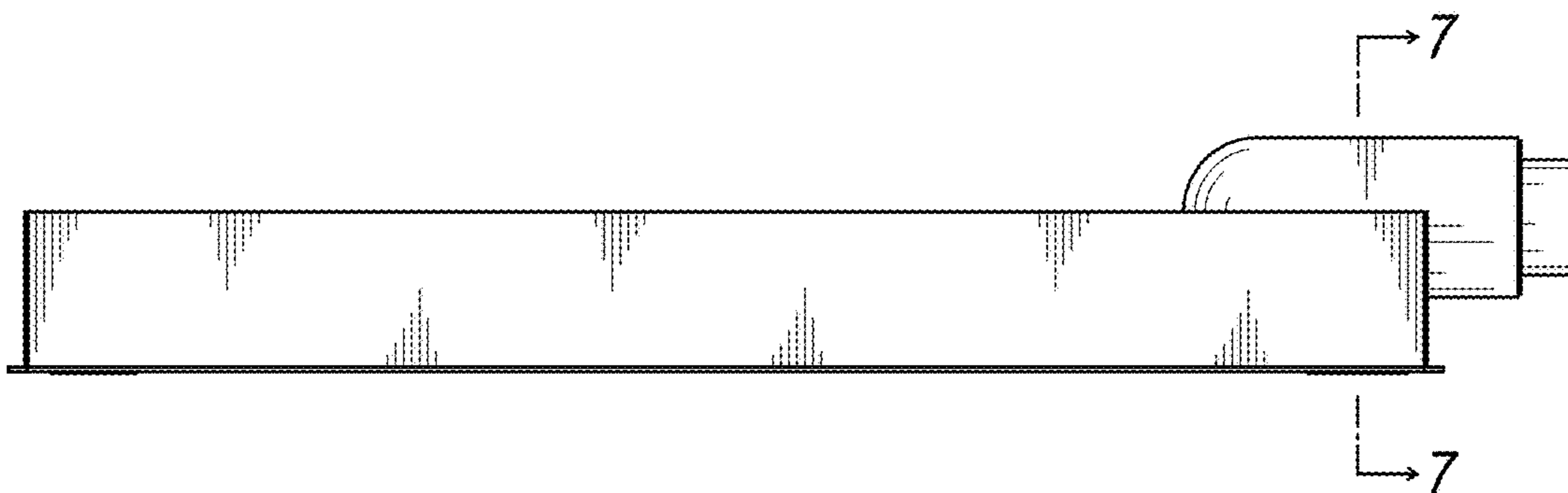


FIG. 1

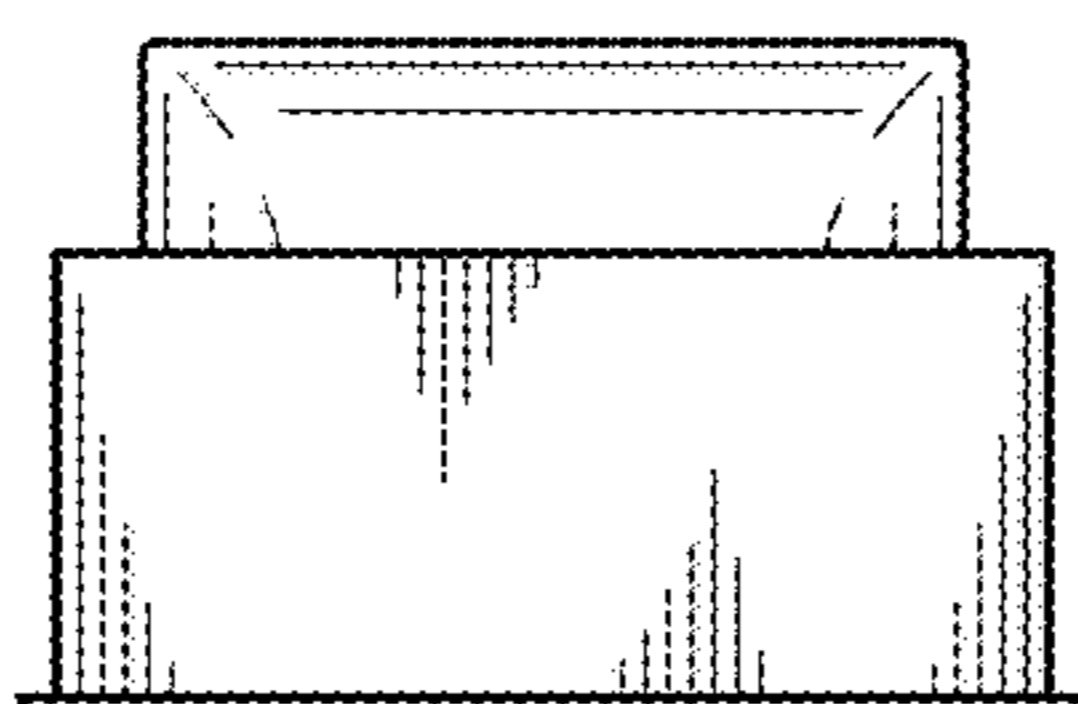


FIG. 2

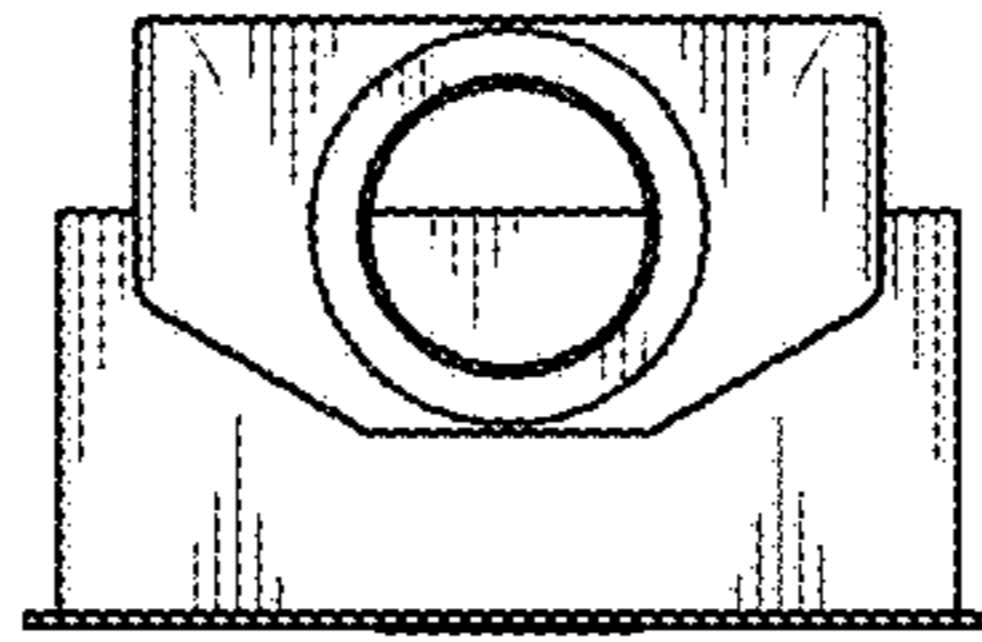


FIG. 3

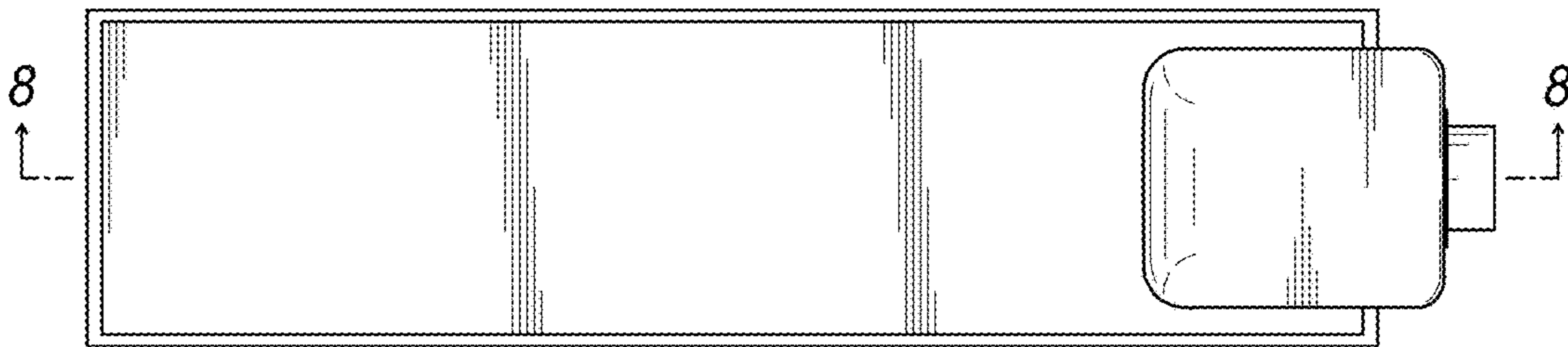
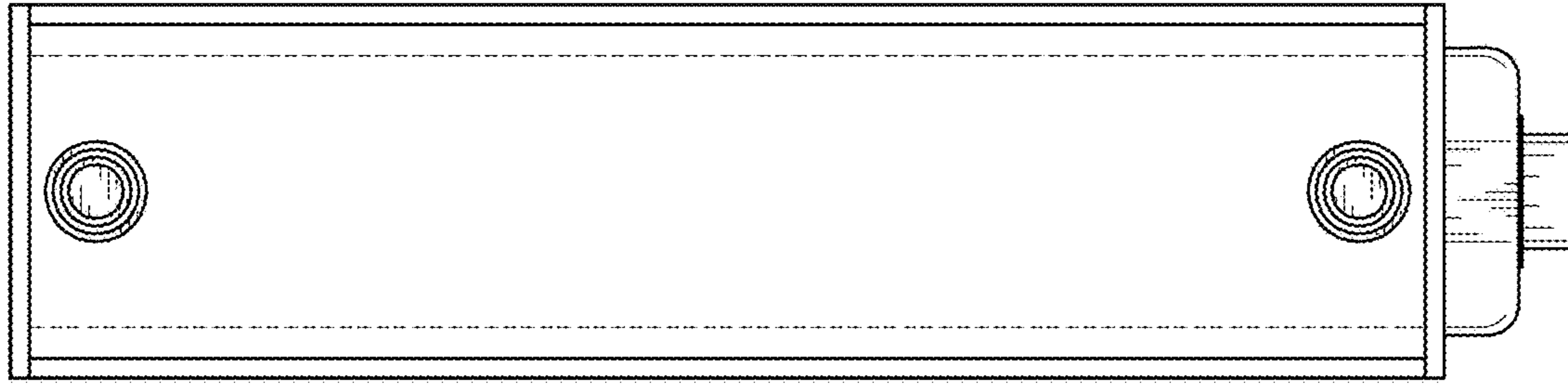
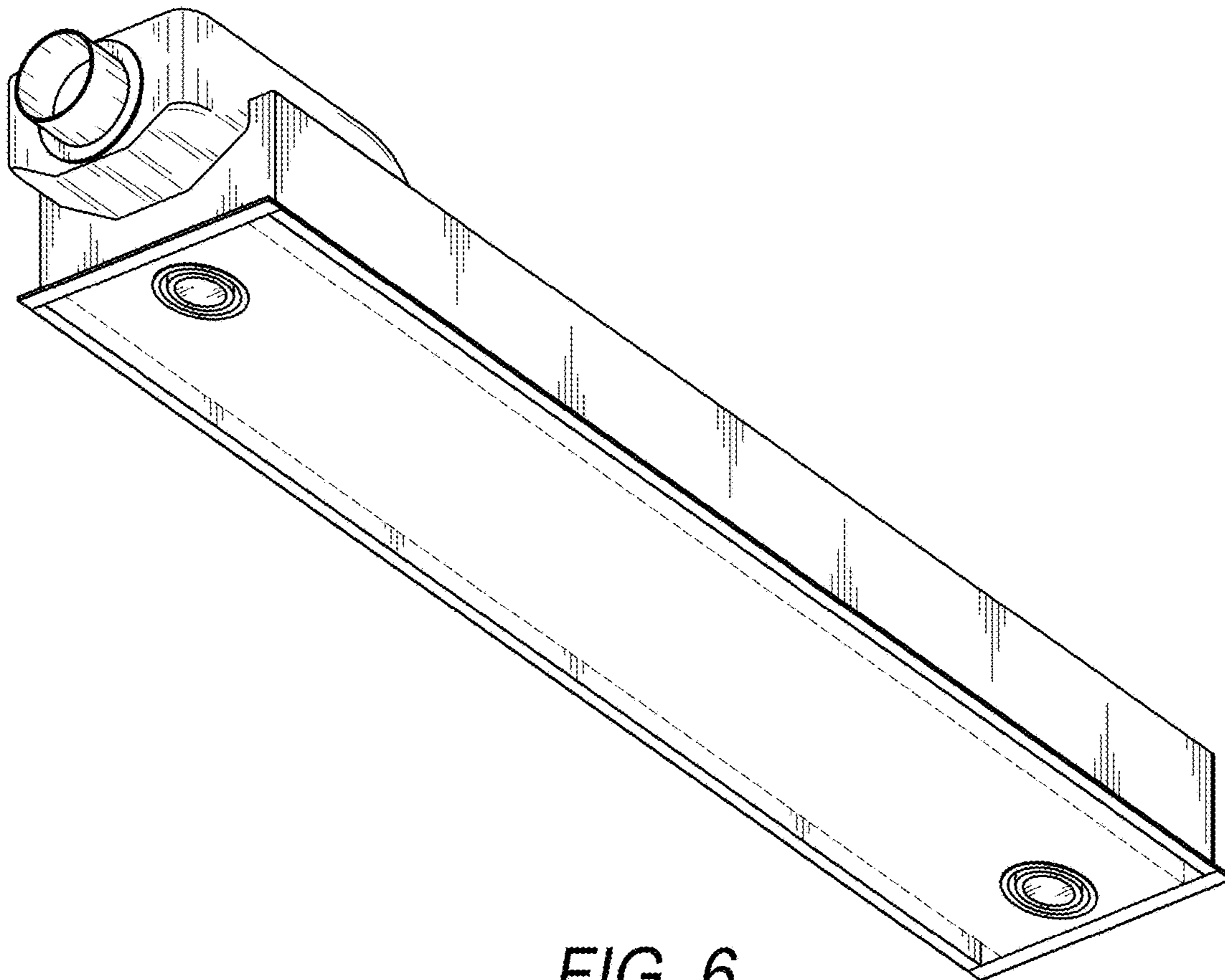


FIG. 4

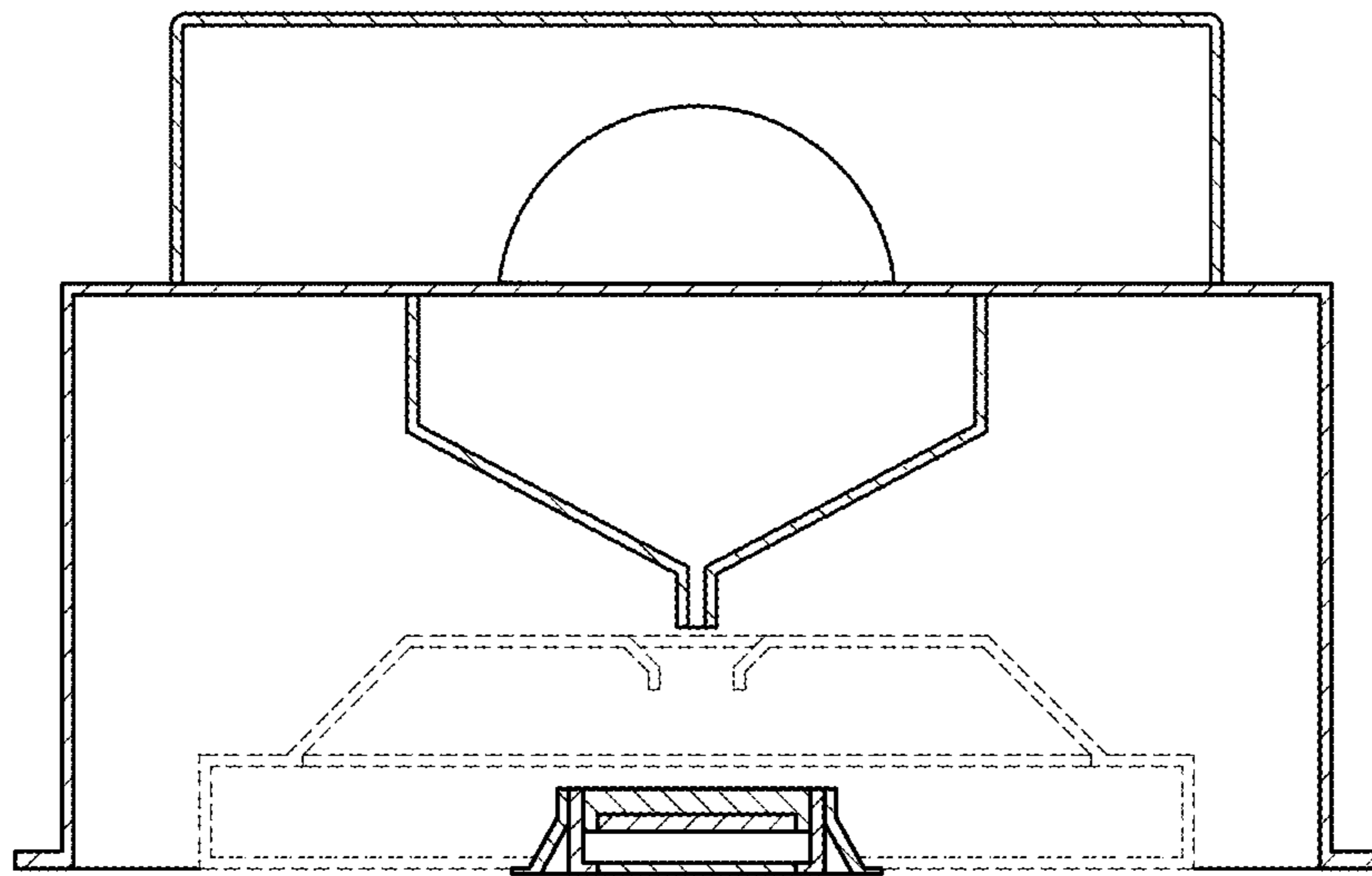




*FIG. 5*



*FIG. 6*



*FIG. 7*

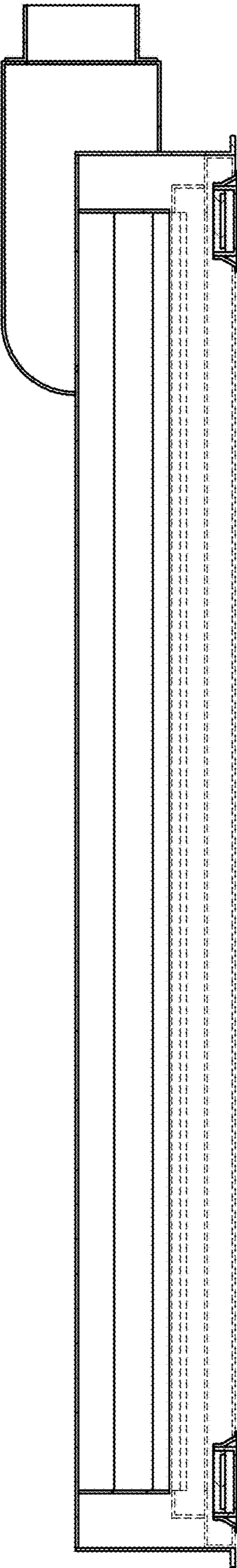


FIG. 8