



US00D806853S

(12) **United States Design Patent** (10) **Patent No.:** **US D806,853 S**  
**Ho** (45) **Date of Patent:** **\*\* Jan. 2, 2018**

- (54) **HANDHELD FAN WITH A BOTTOM CONTAINER** D529,166 S \* 9/2006 Geringer ..... D23/379
- (71) Applicant: **BAILIJA CANDY TOYS AND GIFT PRODUCTION (DONGGUAN) LIMITED, Dongguan (CN)** D544,078 S \* 6/2007 Geringer ..... 261/28
- (72) Inventor: **Antia Ho, Dongguan (CN)** D554,242 S \* 10/2007 Chen ..... D23/314
- (73) Assignee: **BAILIJA CANDY TOYS AND GIFT PRODUCTION (DONGGUAN) LIMITED, Dongguan (CN)** D565,720 S \* 4/2008 Chen ..... D23/379
- (\*\*) Term: **15 Years** D593,237 S \* 5/2009 Chernick ..... D26/37
- (21) Appl. No.: **29/571,615** 7,775,848 B1 \* 8/2010 Auerbach ..... A23G 3/563 446/73
- (22) Filed: **Jul. 20, 2016** D678,993 S \* 3/2013 Kung-Hua ..... D23/370
- (30) **Foreign Application Priority Data** D698,428 S \* 1/2014 Sands ..... D23/314
- Jan. 22, 2016 (CN) ..... 2016 3 0023748 D703,304 S \* 4/2014 Herbst ..... D23/379
- (51) **LOC (11) Cl.** ..... **23-04** D703,308 S \* 4/2014 Peterson ..... D23/379
- (52) **U.S. Cl.** USPC ..... **D23/379; D23/328; D9/715; D9/719** D733,282 S \* 6/2015 Peterson ..... D23/328
- (58) **Field of Classification Search** D767,747 S \* 9/2016 Wang ..... D23/379
- USPC ..... D23/370, 377, 379, 381, 382, 385, 411, D9/715, 719; D13/179
- CPC ..... F04D 25/08; F04D 29/388; F04D 29/34; F04D 25/088; H02K 1/187; A63H 33/26; B08B 15/00; B65D 1/06
- See application file for complete search history. D773,631 S \* 12/2016 Breit ..... D23/379
- (56) **References Cited** 2005/0239367 A1 \* 10/2005 Fernandez, Jr. .... A23G 3/563 446/73
- U.S. PATENT DOCUMENTS**
- 1,473,045 A \* 11/1923 Puttaert ..... F04D 25/084 310/50
- D451,994 S \* 12/2001 Yuen ..... D23/379

\* cited by examiner

*Primary Examiner* — Janice Hallmark  
(74) *Attorney, Agent, or Firm* — Ming Chow; Sinorica, LLC

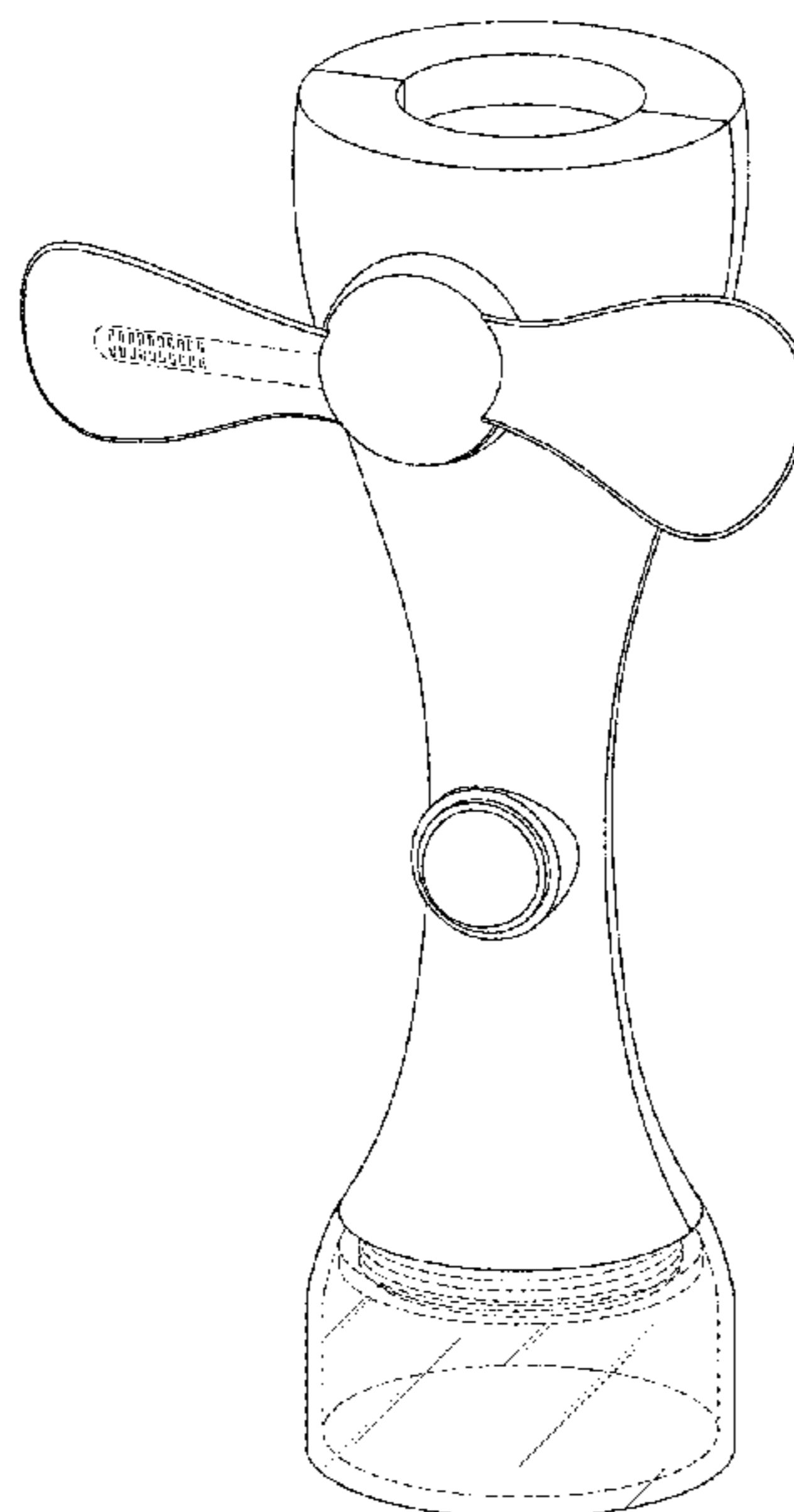
(57) **CLAIM**

The ornamental design for a handheld fan with a bottom container, as shown and described.

**DESCRIPTION**

FIG. 1 is a perspective view of the handheld fan with a bottom container showing my new design; FIG. 2 is a front elevation view thereof; FIG. 3 is a rear elevation view thereof; FIG. 4 is left side view thereof; FIG. 5 is right side view thereof; FIG. 6 is a top plan view thereof; and, FIG. 7 is a bottom plan view thereof. The broken lines in the drawings depict parts of the handheld fan with a bottom container that form no part of the claimed design.

**1 Claim, 7 Drawing Sheets**



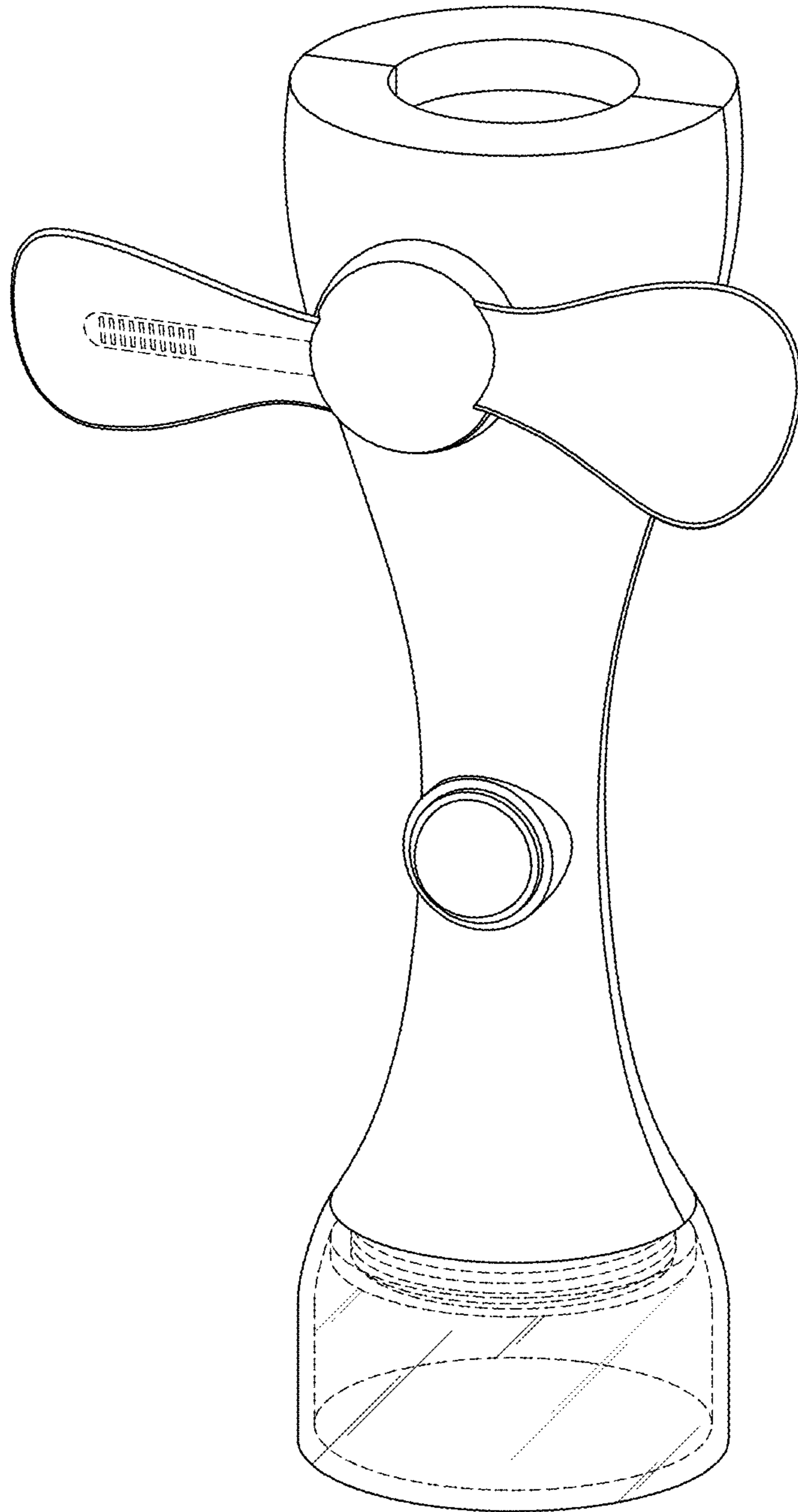


FIG.1

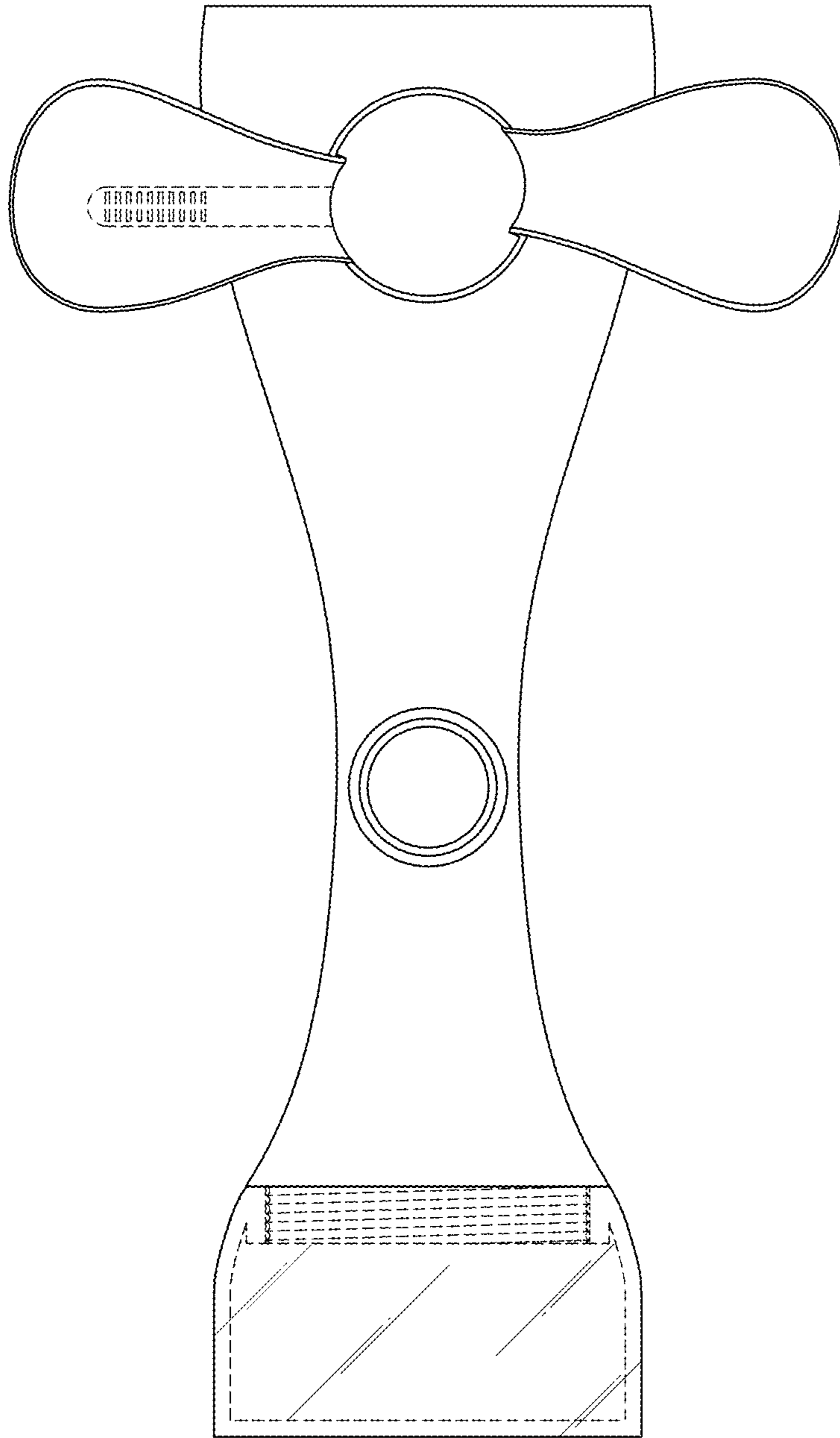


FIG.2

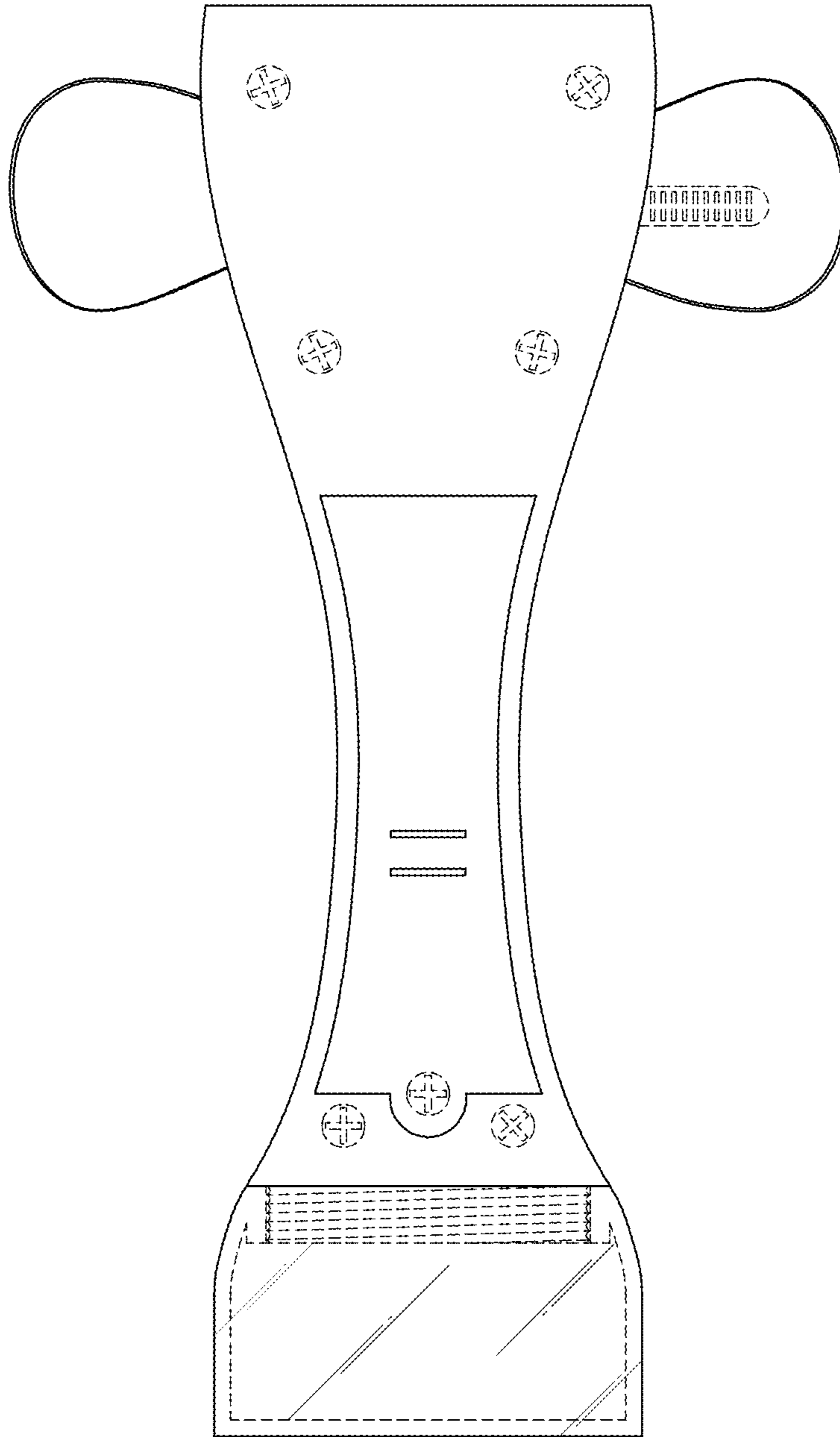


FIG.3

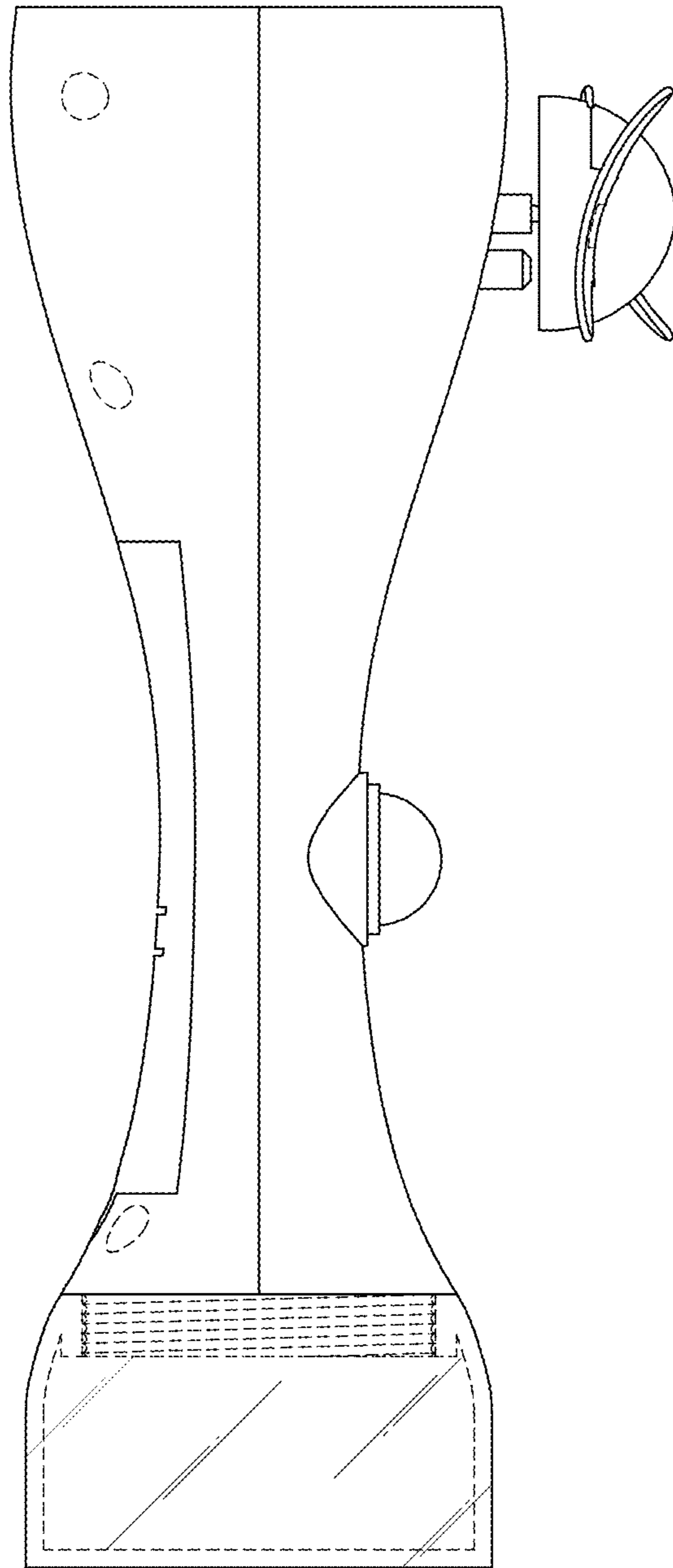


FIG.4

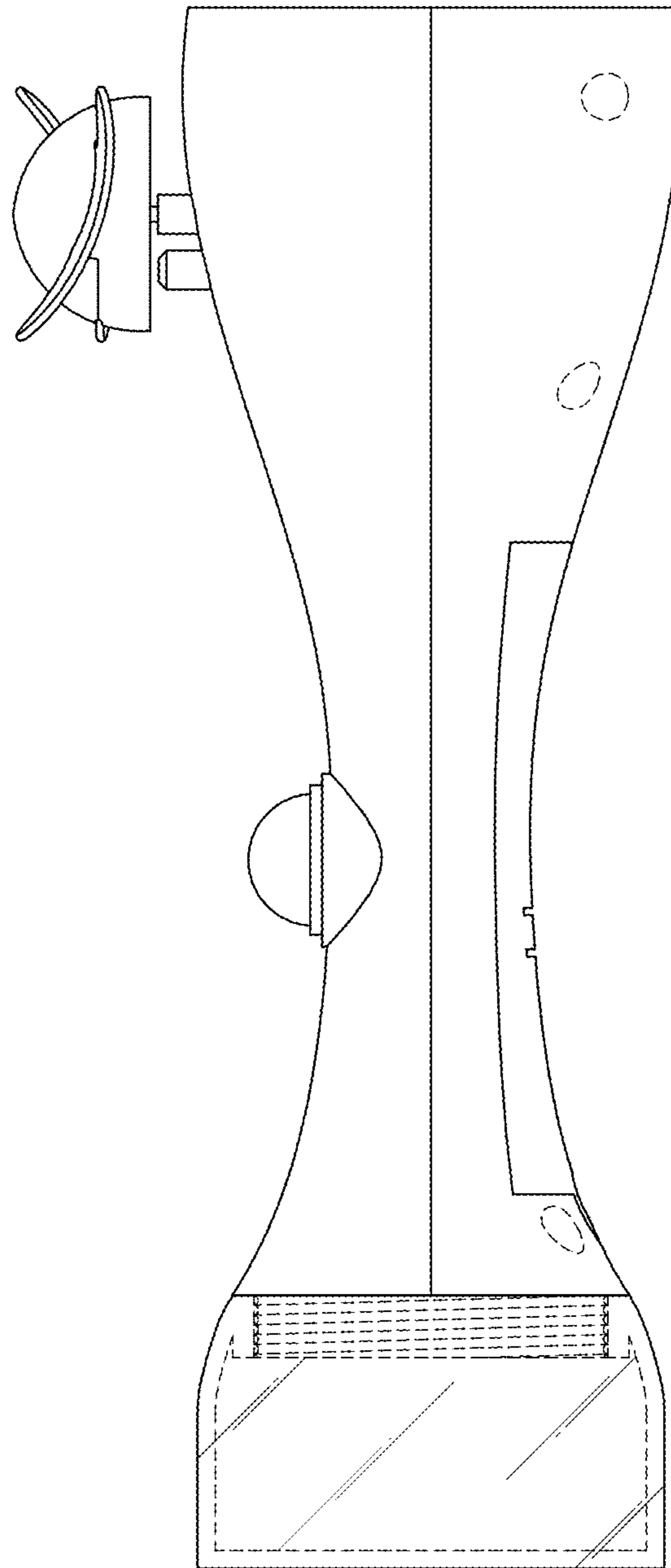


FIG.5

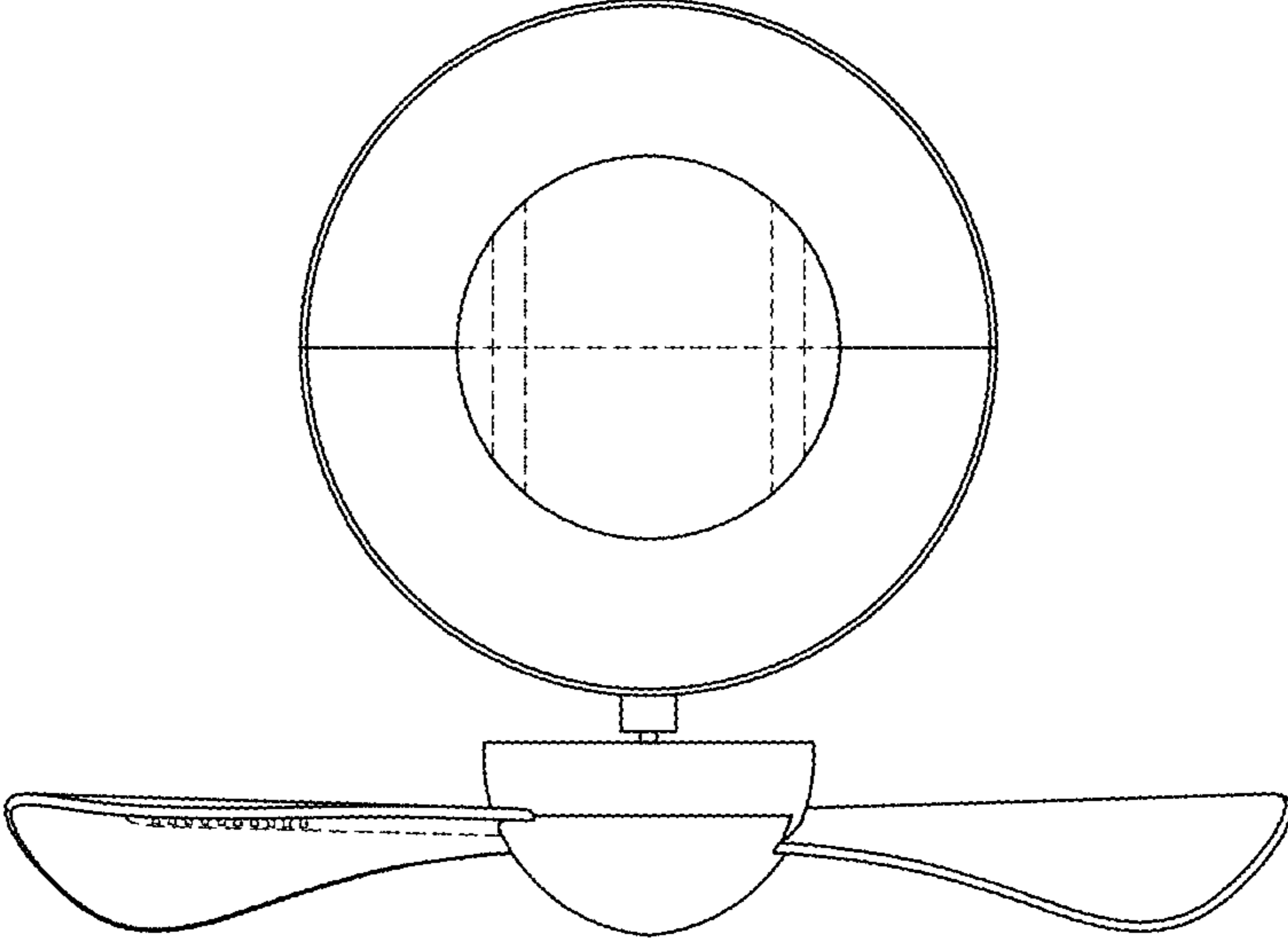


FIG.6

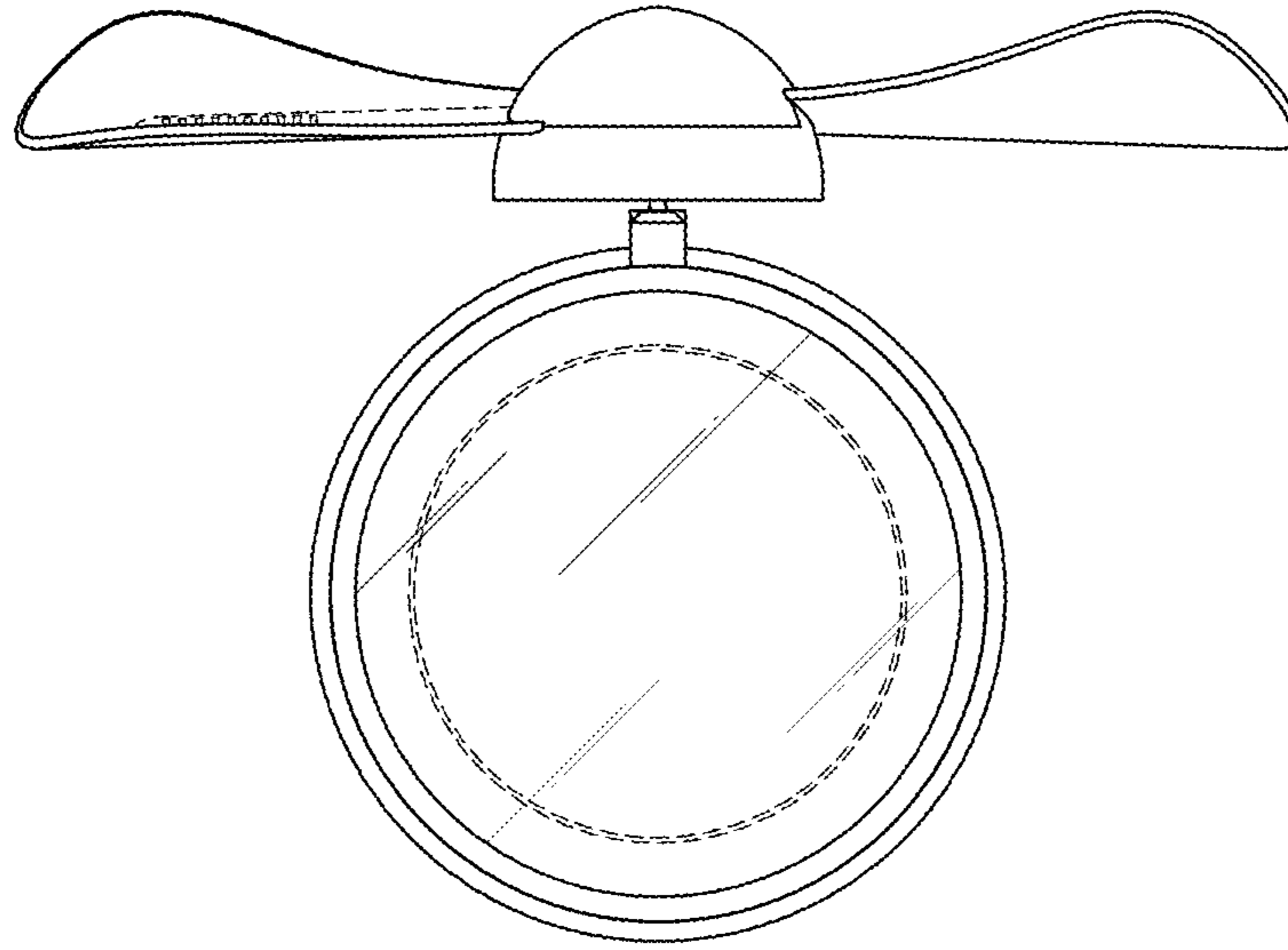


FIG. 7