



US00D806850S

(12) **United States Design Patent** (10) **Patent No.:** **US D806,850 S**
D'Amico (45) **Date of Patent:** **** Jan. 2, 2018**

(54) **CONTROLLED DIFFUSER DEVICE**
(71) Applicant: **Scent2Market Inc.**, Yonkers, NY (US)
(72) Inventor: **Daniel M. D'Amico**, South Salem, NY (US)
(73) Assignee: **Scent2Market Inc.**, Yonkers, NY (US)
(**) Term: **15 Years**
(21) Appl. No.: **29/541,513**
(22) Filed: **Oct. 5, 2015**
(51) **LOC (11) Cl.** **28-99**
(52) **U.S. Cl.**
USPC **D23/366**
(58) **Field of Classification Search**
USPC D23/355-369; D28/5, 6; 261/DIG. 17, 261/DIG. 42, DIG. 47, DIG. 55, DIG. 65, 261/DIG. 70, DIG. 88, DIG. 89; 392/386, 392/389, 394, 395, 403; 239/34, 44, 45, 239/53, 56; D9/522, 549, 556
(Continued)

(56) **References Cited**
U.S. PATENT DOCUMENTS
1,380,208 A * 5/1921 Holtschneider A24F 25/02 239/59
D136,877 S * 12/1943 Estes D23/366
(Continued)

FOREIGN PATENT DOCUMENTS
CN 1333696 A 1/2002
CN 1426313 A 6/2003
(Continued)

OTHER PUBLICATIONS
International Search Report and Written Opinion for PCT/US2016/023108 dated Aug. 25, 2016.
(Continued)

Primary Examiner — Sandra Snapp
(74) *Attorney, Agent, or Firm* — Buchanan Ingersoll & Rooney PC

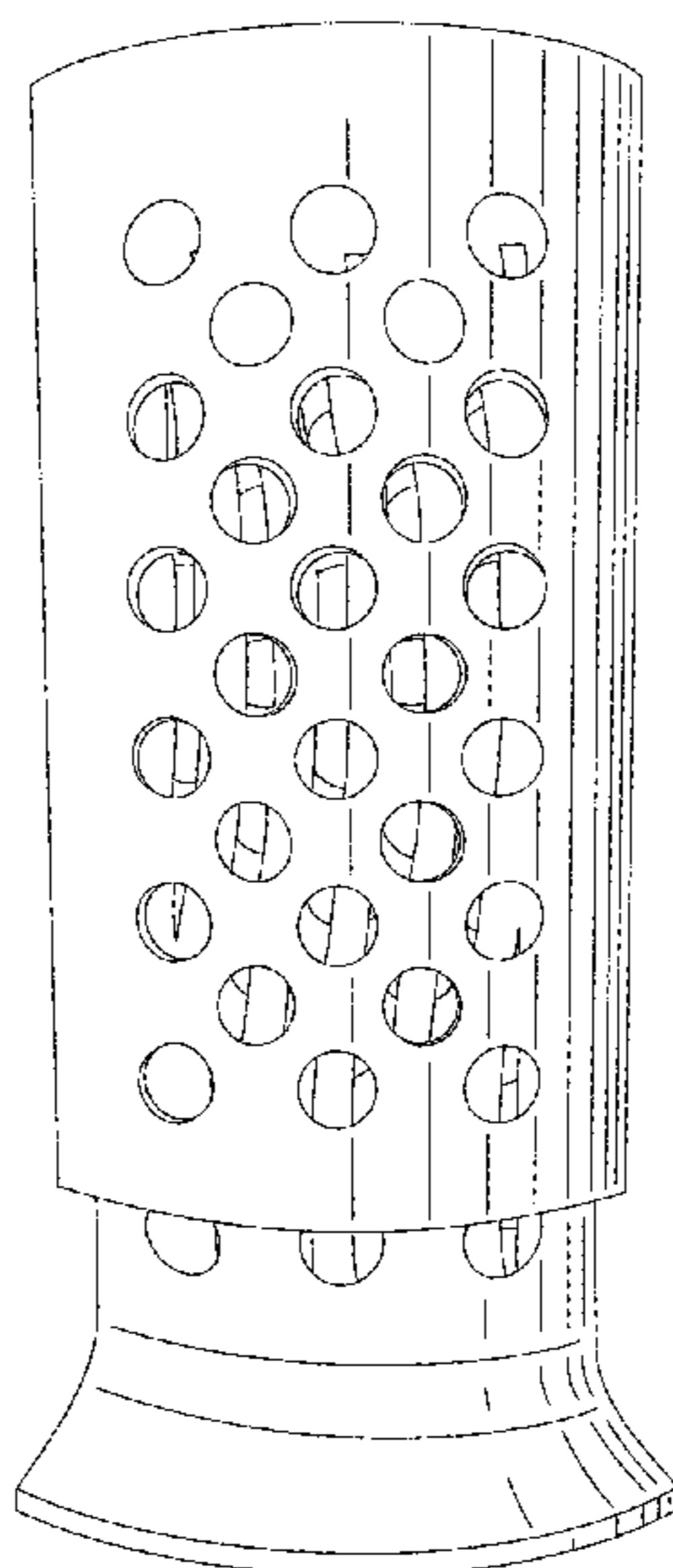
(57) **CLAIM**

The ornamental design for a controlled diffuser device, as shown and described.

DESCRIPTION

FIG. 1 is a perspective view of a controlled diffuser device, showing a base with a cover placed over the base, the substrate has been removed from within the base;
FIG. 2 is a perspective view of the controlled diffuser device, showing the base with a substrate within the base and the cover placed over the base and the substrate;
FIG. 3 is an exploded perspective view of the base and the cover, the substrate has been removed;
FIG. 4 is an exploded front view of FIG. 3, wherein a rear view is a mirror image of the front view;
FIG. 5 is an exploded top plan view of FIG. 3;
FIG. 6 is an exploded bottom plan view of FIG. 3;
FIG. 7 is an exploded left side elevation view of FIG. 3, wherein a right side elevation view is a mirror image of the left side elevation view;
FIG. 8 is a perspective view of the substrate, the base and cover have been removed for ease of illustration;
FIG. 9 is a top plan view of the substrate of FIG. 8, a bottom plan view is a mirror image of the top plan view;
FIG. 10 is a left side elevation view of the substrate of FIG. 8;
FIG. 11 is a right side elevation view of the substrate of FIG. 8;
FIG. 12 is a front elevation view of the substrate of FIG. 8; and,
FIG. 13 is a rear elevation view of the substrate of FIG. 8.

1 Claim, 7 Drawing Sheets



(58) **Field of Classification Search**

CPC ... A61L 9/02; A61L 9/03; A61L 9/034; A61L 9/04; A61L 9/12; A61L 9/032; A61L 9/122; A61L 9/127; A61L 9/22
See application file for complete search history.

(56) **References Cited**

U.S. PATENT DOCUMENTS

D240,230 S * 6/1976 Dorsen D23/369
D250,041 S * 10/1978 Schimanski D23/369
D258,082 S * 1/1981 Schimanski 239/59
4,258,874 A * 3/1981 Webinger A61L 9/12
229/120
D262,138 S * 12/1981 Bousgarbies D23/366
D262,652 S * 1/1982 Jaeschke D23/369
D288,003 S * 1/1987 Hoyt D23/366
4,795,883 A 1/1989 Glucksman et al.
4,830,791 A 5/1989 Muderlak et al.
4,921,636 A 5/1990 Traas
5,111,477 A 5/1992 Muderlak
5,163,616 A 11/1992 Bernarducci et al.
5,647,052 A 7/1997 Patel et al.
D395,146 S * 6/1998 Miller D23/355
D411,881 S * 7/1999 Weick D23/366
6,039,212 A 3/2000 Singh
6,227,458 B1 5/2001 Dever et al.
6,390,453 B1 5/2002 Frederickson et al.
D496,720 S * 9/2004 Dudley D15/5
6,790,670 B2 9/2004 Munagavalasa et al.
D504,943 S * 5/2005 Dudley D15/5
D508,285 S * 8/2005 Velicescu D23/366
D508,559 S * 8/2005 Spiegel D23/366
D509,578 S * 9/2005 Yao D23/364
D510,422 S * 10/2005 Schriener D23/366
D536,081 S * 1/2007 Steinel D23/366
7,164,849 B1 1/2007 Bankers et al.
D560,788 S * 1/2008 Farrell D23/366
7,380,518 B2 6/2008 Kates
D575,859 S * 8/2008 Scimone D23/366

D582,533 S * 12/2008 Bodine D23/366
D593,669 S * 6/2009 Daelemans D23/366
D596,281 S * 7/2009 Schwartz D23/366
7,589,340 B2 9/2009 Dancs et al.
D609,322 S * 2/2010 Schwartz D23/366
7,670,566 B2 3/2010 Adair et al.
D613,391 S * 4/2010 Schwartz D23/366
D613,845 S * 4/2010 Schwartz D23/366
D614,278 S * 4/2010 Schwartz D23/366
D633,191 S * 2/2011 Sato D23/366
D646,769 S * 10/2011 Angel D23/366
D738,480 S * 9/2015 Jacobs D23/366
D741,987 S * 10/2015 Gamble D23/366
D748,772 S * 2/2016 Jacobs D23/366
2002/0105099 A1 8/2002 Warren
2002/0176704 A1 11/2002 Roe
2003/0089791 A1 5/2003 Chen et al.
2003/0188377 A1 10/2003 Contadini et al.
2004/0124988 A1 7/2004 Leonard et al.
2005/0001053 A1 1/2005 Zobebe
2005/0224595 A1 10/2005 Kuiper
2006/0100303 A1 5/2006 Bedford et al.
2008/0056691 A1 3/2008 Wingo et al.
2009/0114736 A1 5/2009 Janakat et al.

FOREIGN PATENT DOCUMENTS

JP 1379361 1/2010
WO 9215338 A1 9/1992
WO 2004043502 A1 5/2004
WO 2005003821 A2 1/2005

OTHER PUBLICATIONS

Supplementary European Search Report for EP Application No. 07852507.8 dated Oct. 13, 2011.
First Office Action of the State Intellectual Property Office of the People's Republic of China for Chinese Application No. 201210341410.3 dated Jan. 28, 2014.

* cited by examiner

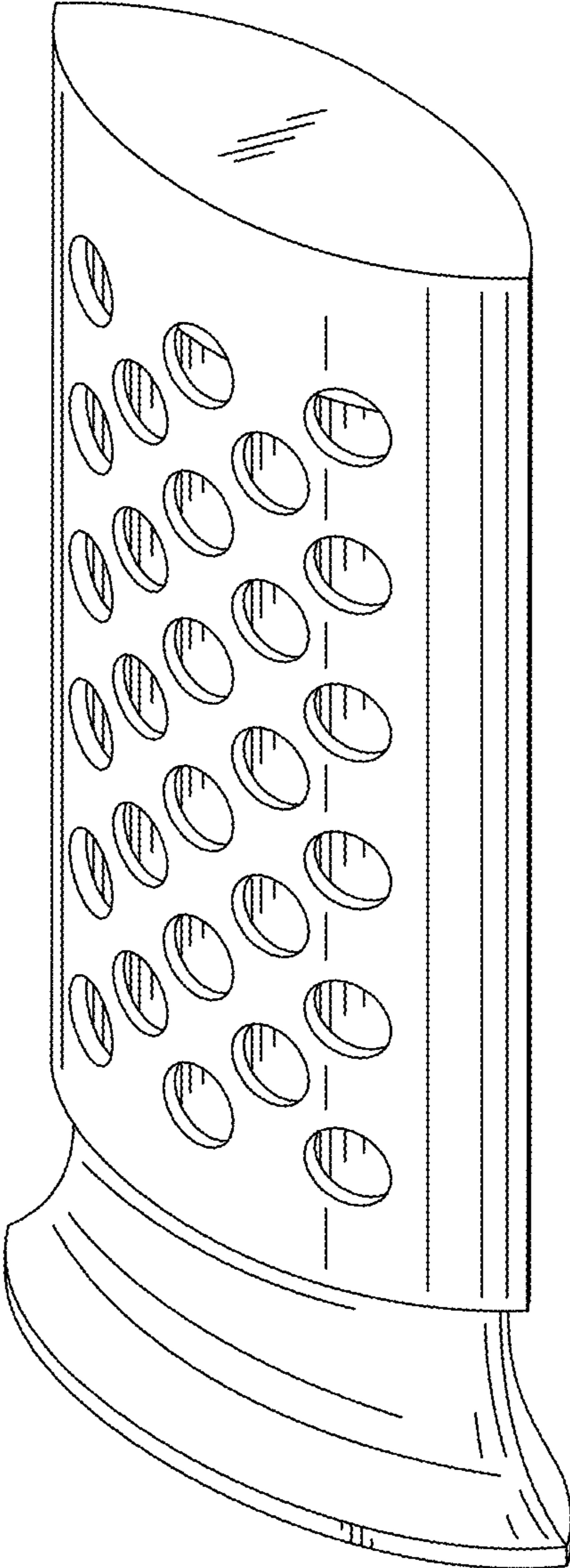


FIG. 1

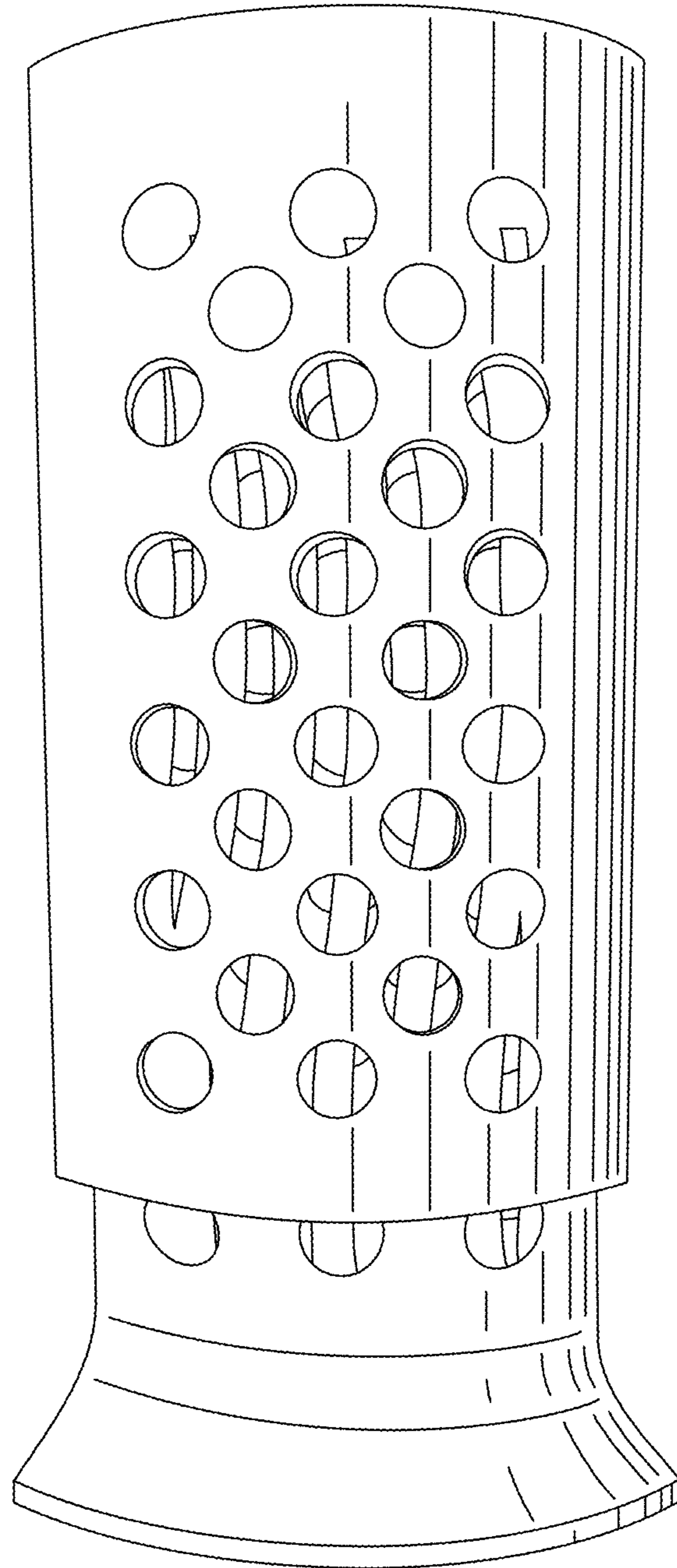


FIG. 2

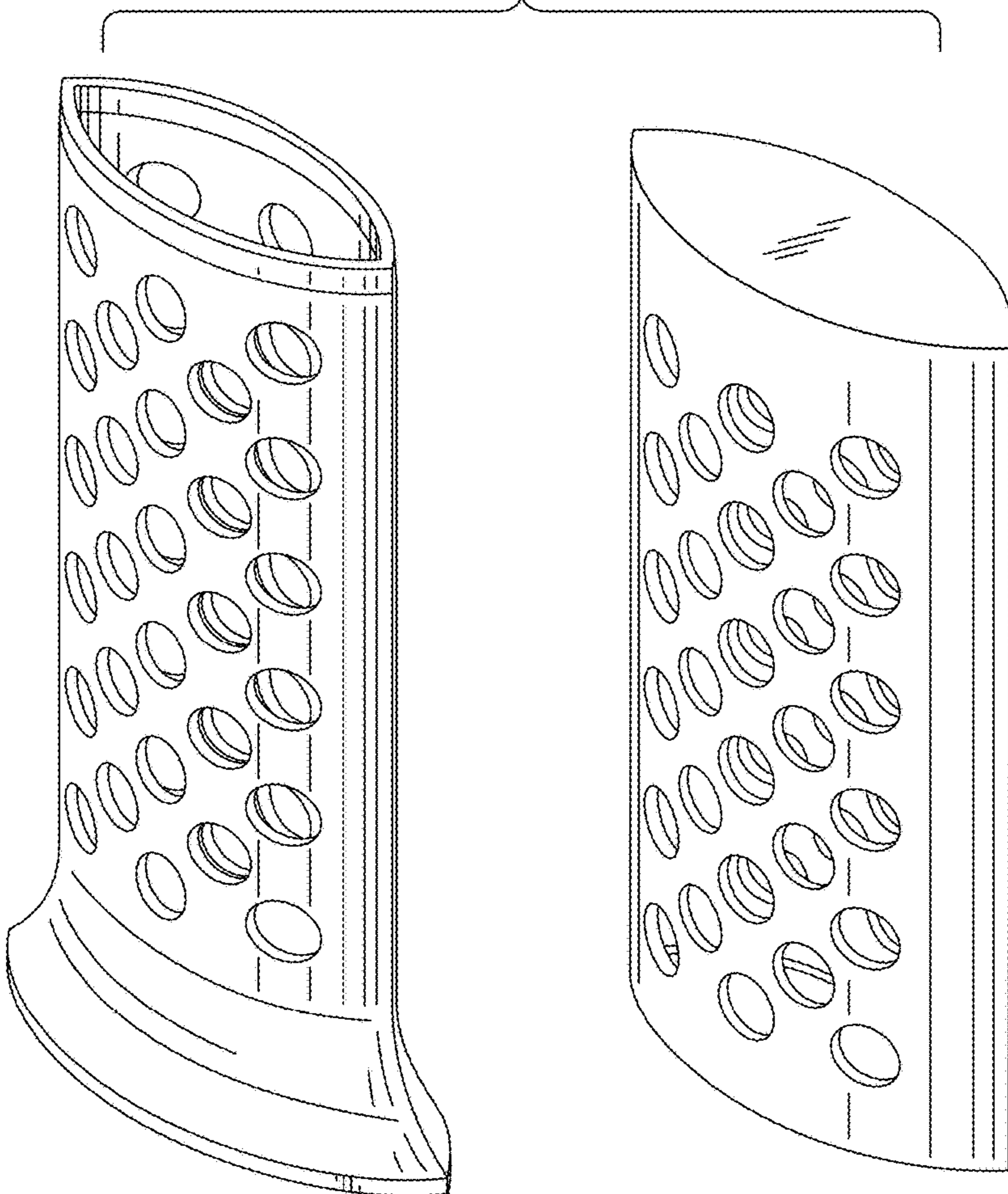


FIG. 3

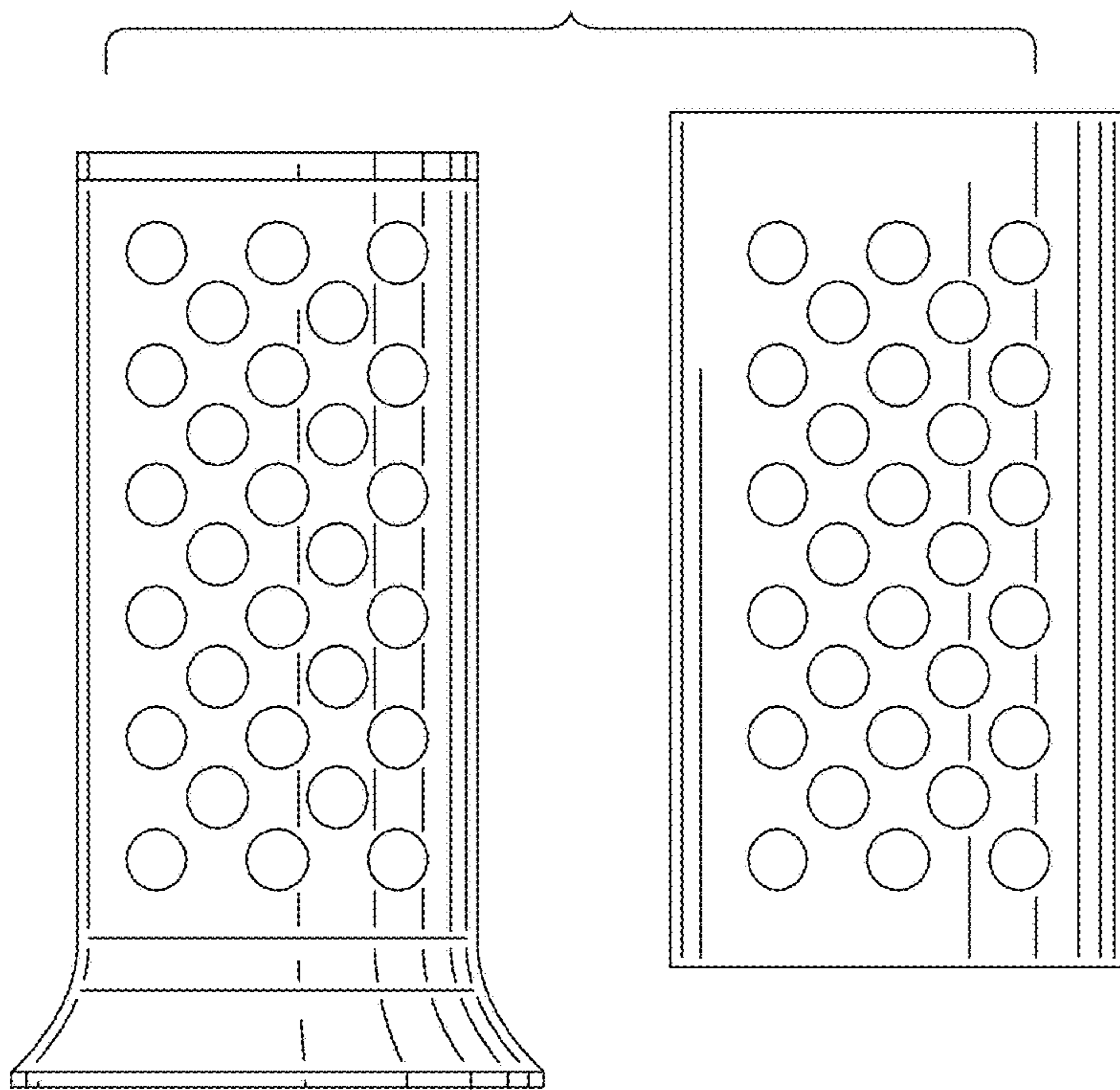
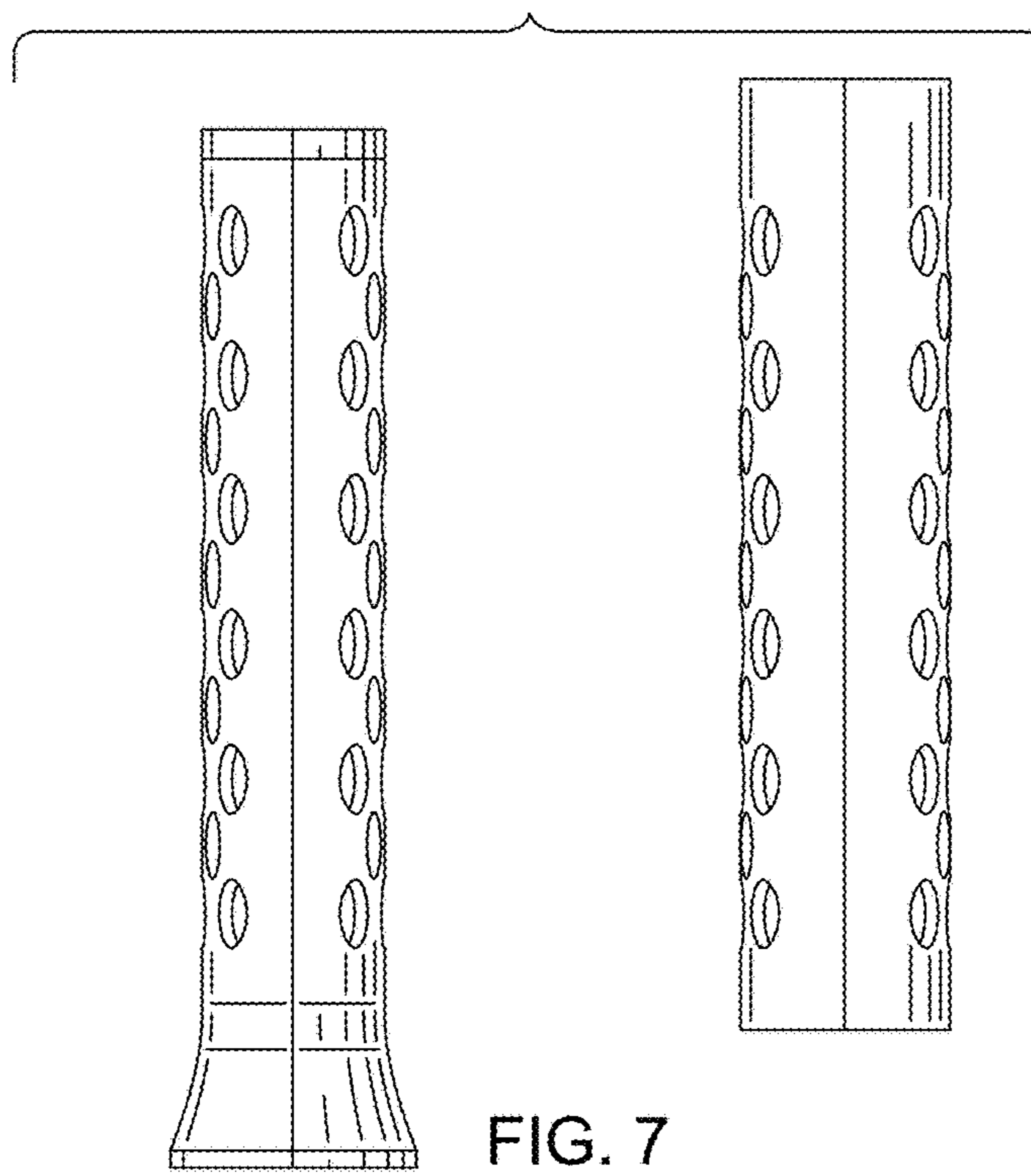
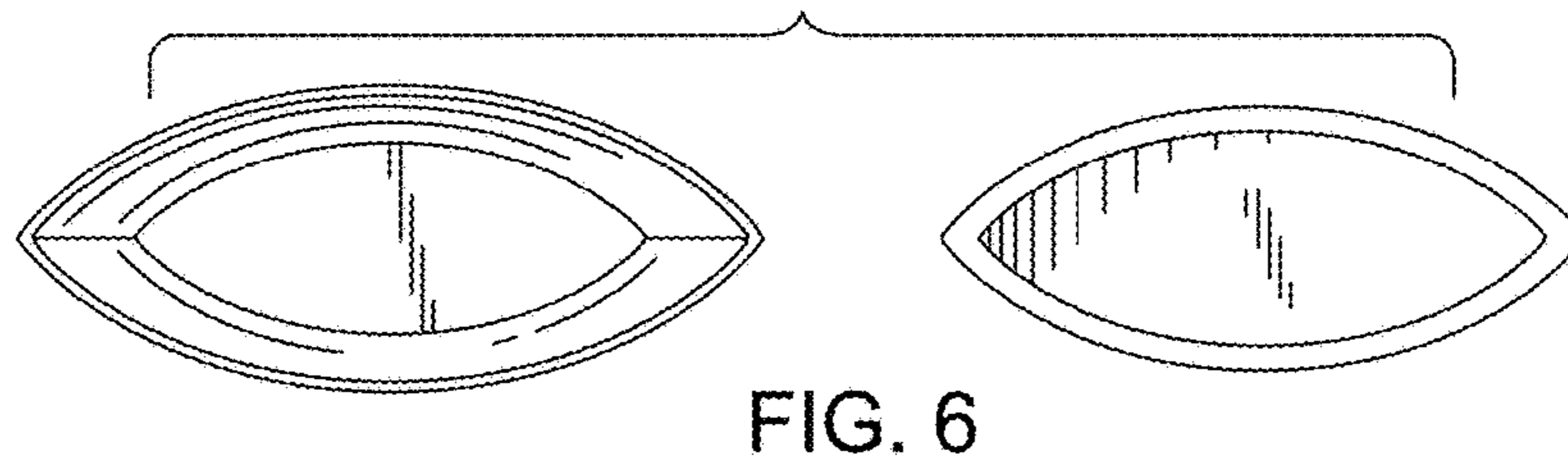
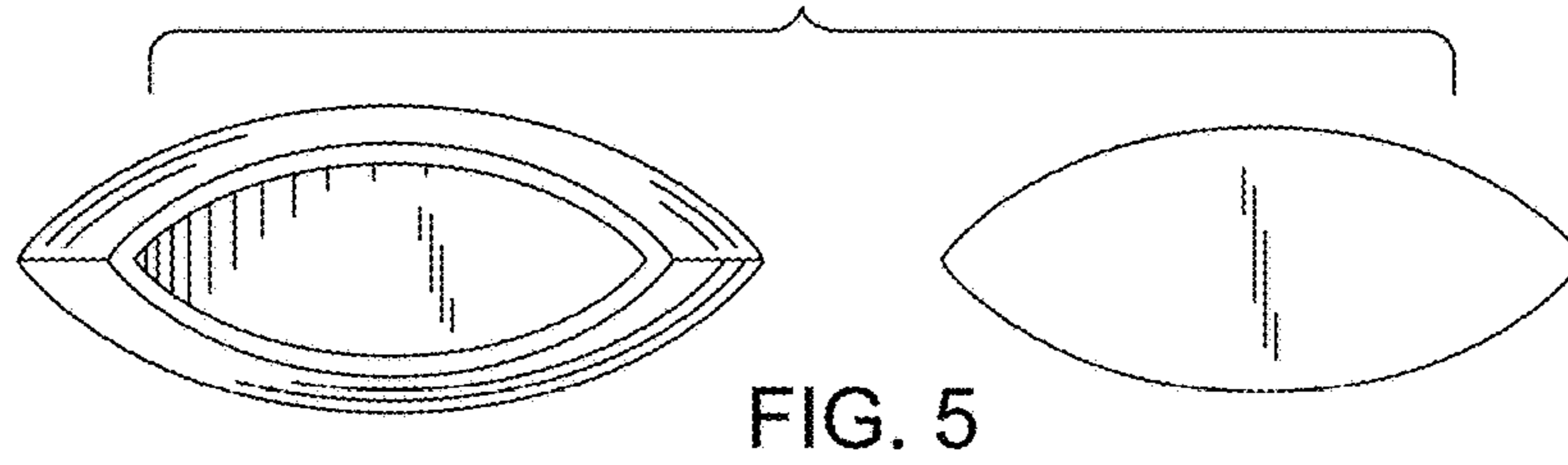


FIG. 4



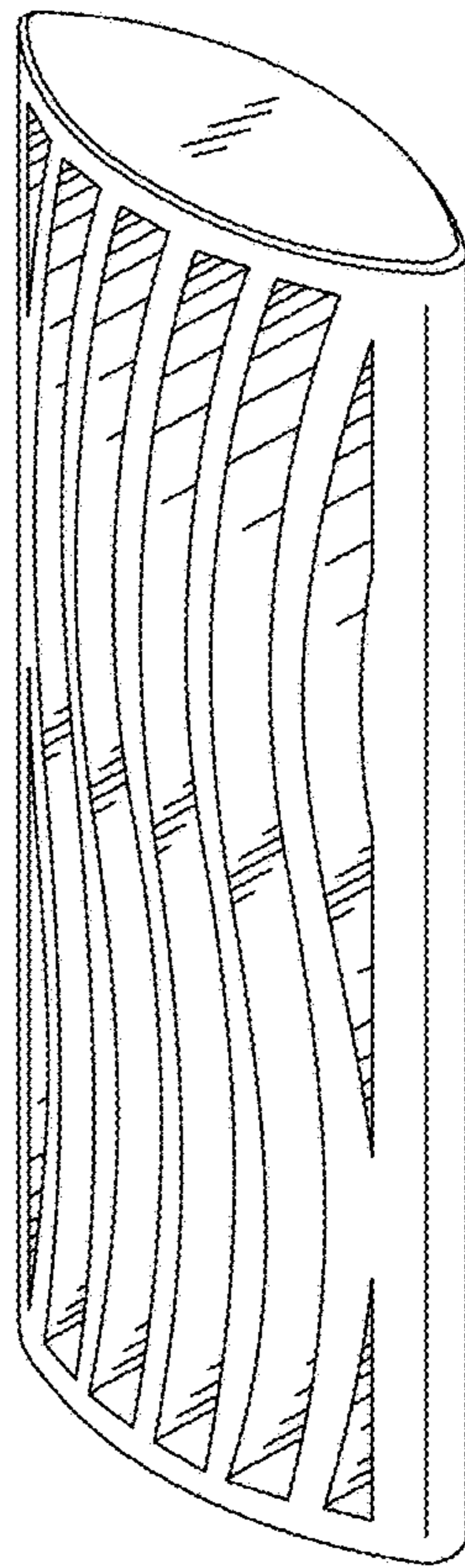


FIG. 8

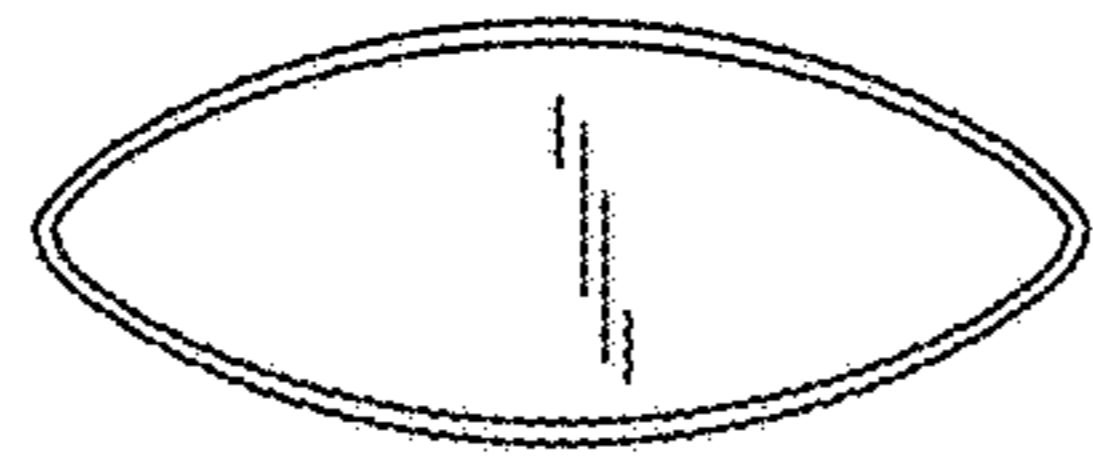


FIG. 9

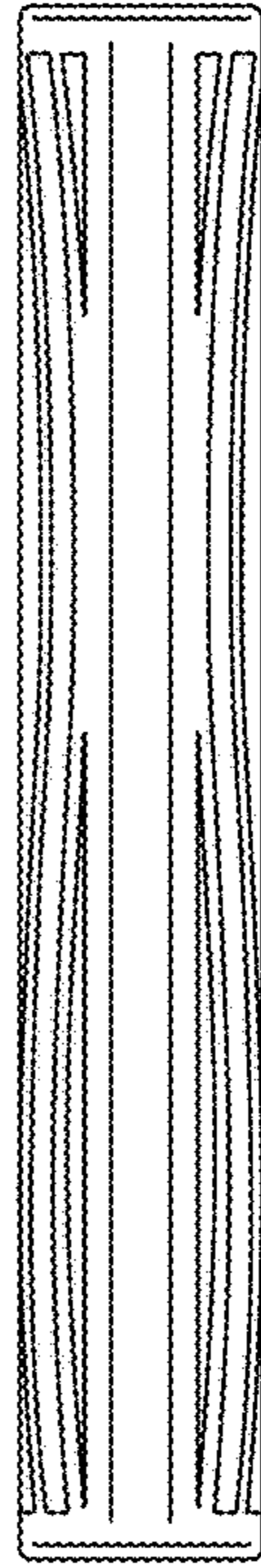


FIG. 10

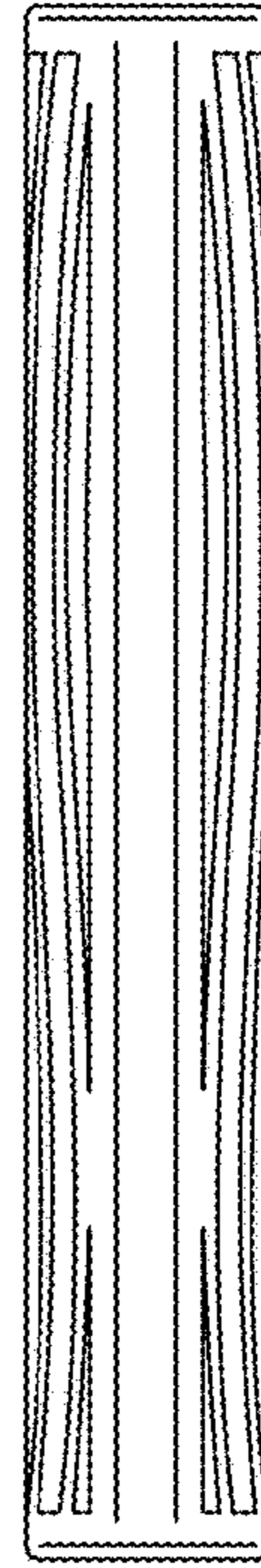


FIG. 11

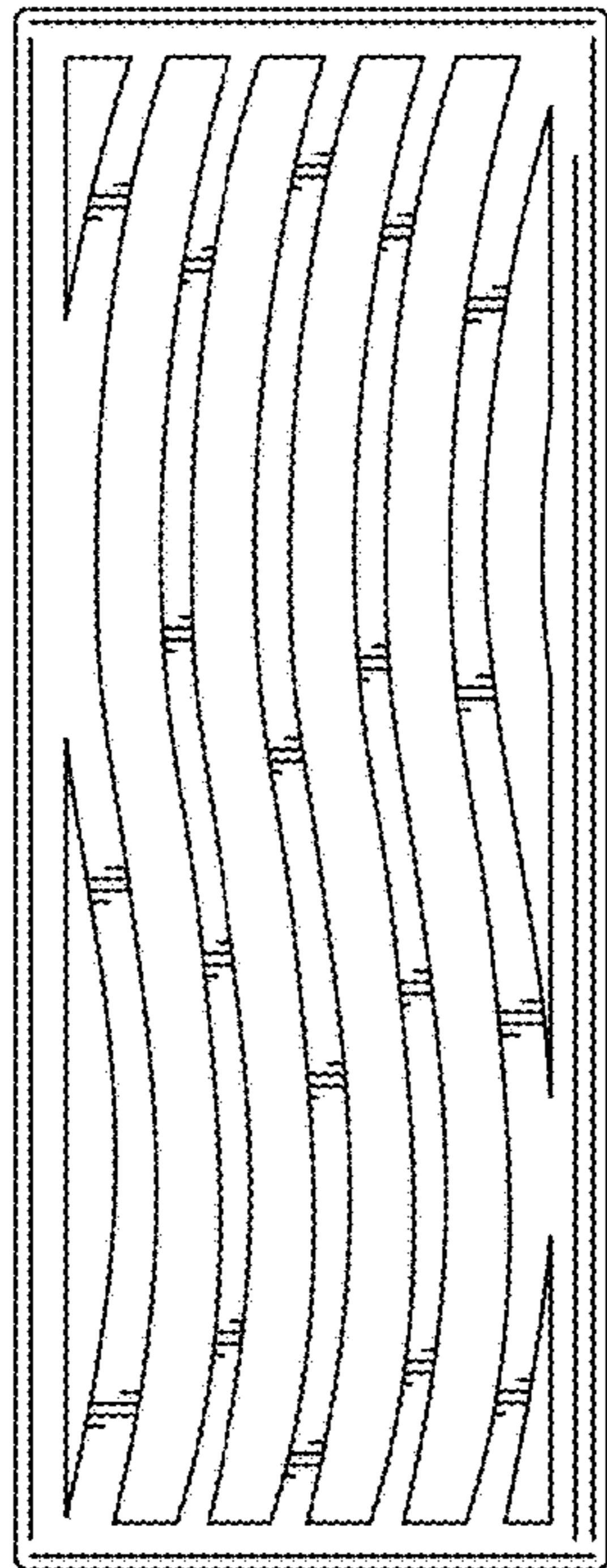


FIG. 12

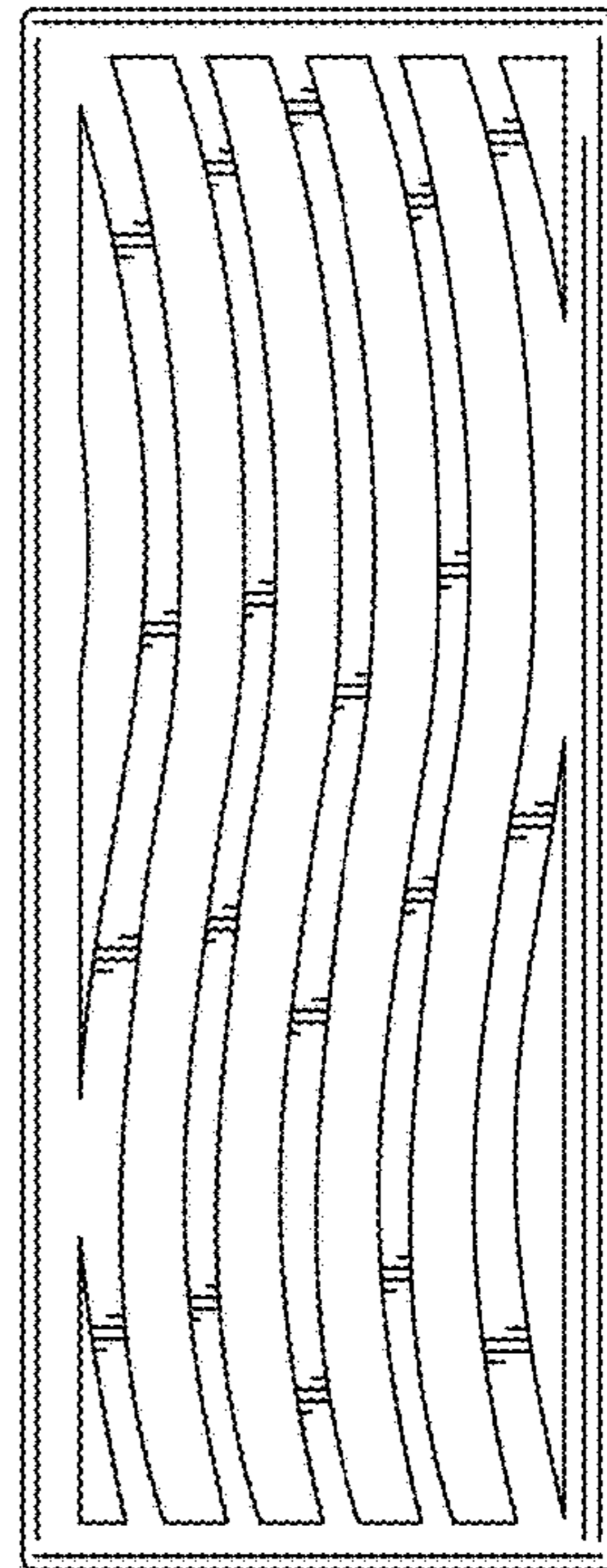


FIG. 13