



US00D806848S

(12) **United States Design Patent**
Kim et al.

(10) **Patent No.:** **US D806,848 S**

(45) **Date of Patent:** **** Jan. 2, 2018**

(54) **WATER TANK FOR AIR PURIFIER WITH HUMIDIFIER**

D495,043 S *	8/2004	Gatchell	D23/364
D638,923 S *	5/2011	Choi	D23/364
D714,923 S *	10/2014	Engelhard	D23/364
D788,279 S *	5/2017	Lee	D23/359
D788,897 S *	6/2017	Lee	D23/356

(71) Applicant: **LG ELECTRONICS INC.**, Seoul (KR)

* cited by examiner

(72) Inventors: **Joosang Kim**, Seoul (KR); **Seungmin Yoo**, Seoul (KR); **Sungkyong Han**, Seoul (KR); **Sehwan Bae**, Seoul (KR)

Primary Examiner — Michael A Pratt
(74) *Attorney, Agent, or Firm* — Birch, Stewart, Kolasch & Birch, LLP

(73) Assignee: **LG ELECTRONICS INC.**, Seoul (KR)

(**) Term: **15 Years**

(57) **CLAIM**

(21) Appl. No.: **35/501,219**

The ornamental design for a water tank for air purifier with humidifier, as shown and described.

(22) Filed: **Feb. 5, 2016**

(80) **Hague Agreement Data**

DESCRIPTION

Int. Filing Date: **Feb. 5, 2016**
Int. Reg. No.: **DM/091401**
Int. Reg. Date: **Feb. 5, 2016**
Int. Reg. Pub. Date: **Jul. 15, 2016**

1. Water tank for air purifier with humidifier
1.1 is a perspective view of a water tank for air purifier with humidifier showing our new design;
1.2 is a front elevation view thereof;
1.3 is a rear elevation view thereof;
1.4 is a left-side elevation view thereof;
1.5 is a right-side elevation view thereof;
1.6 is a top plan view thereof;
1.7 is a bottom plan view thereof;
1.8 is a perspective view thereof showing its handle in a use condition; and
1.9 is a perspective view thereof showing the combined air purifier with humidifier in a use condition.
The broken line showing in **1.9** is for the purpose of illustrating environment of the water tank for air purifier with humidifier and forms no part of the claimed design.

(51) **LOC (11) Cl.** **23-04**

(52) **U.S. Cl.**
USPC **D23/364**

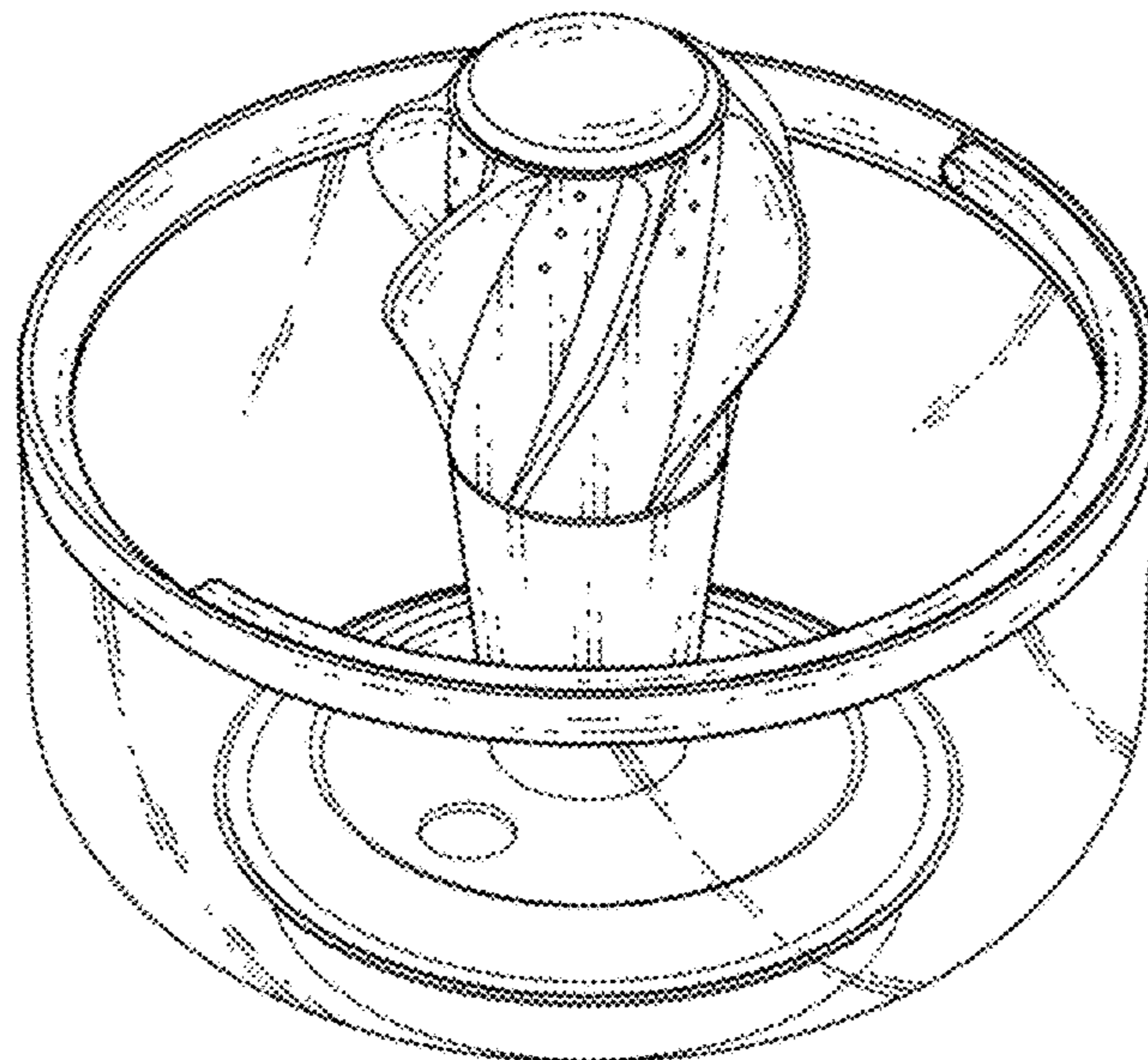
(58) **Field of Classification Search**
USPC D23/355, 356, 359, 364, 370, 386
CPC B01D 46/00; B01D 46/0002; A61L 9/00
See application file for complete search history.

(56) **References Cited**

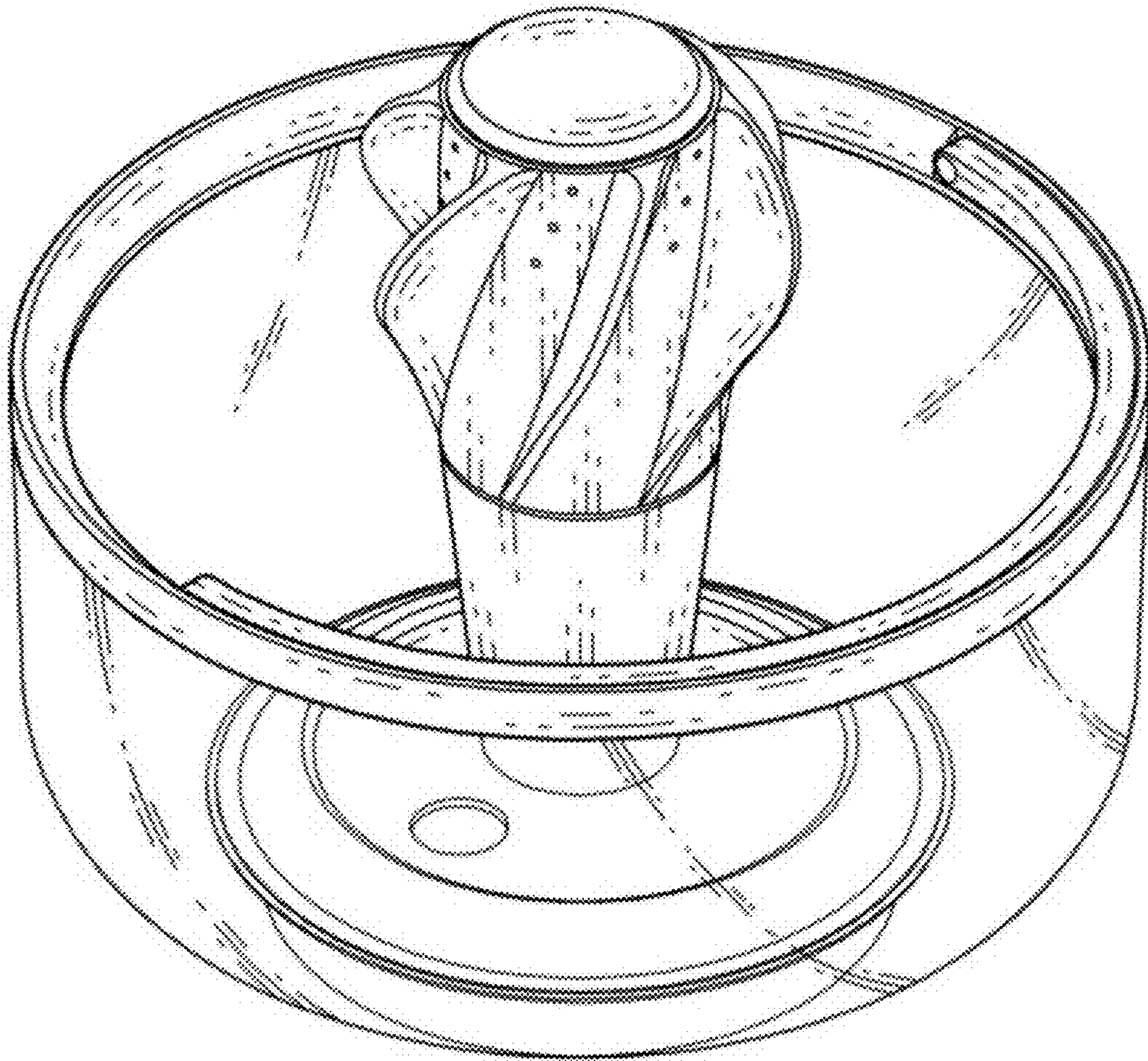
U.S. PATENT DOCUMENTS

D281,618 S * 12/1985 Grube D23/364
D462,117 S * 8/2002 Gieseke D23/364

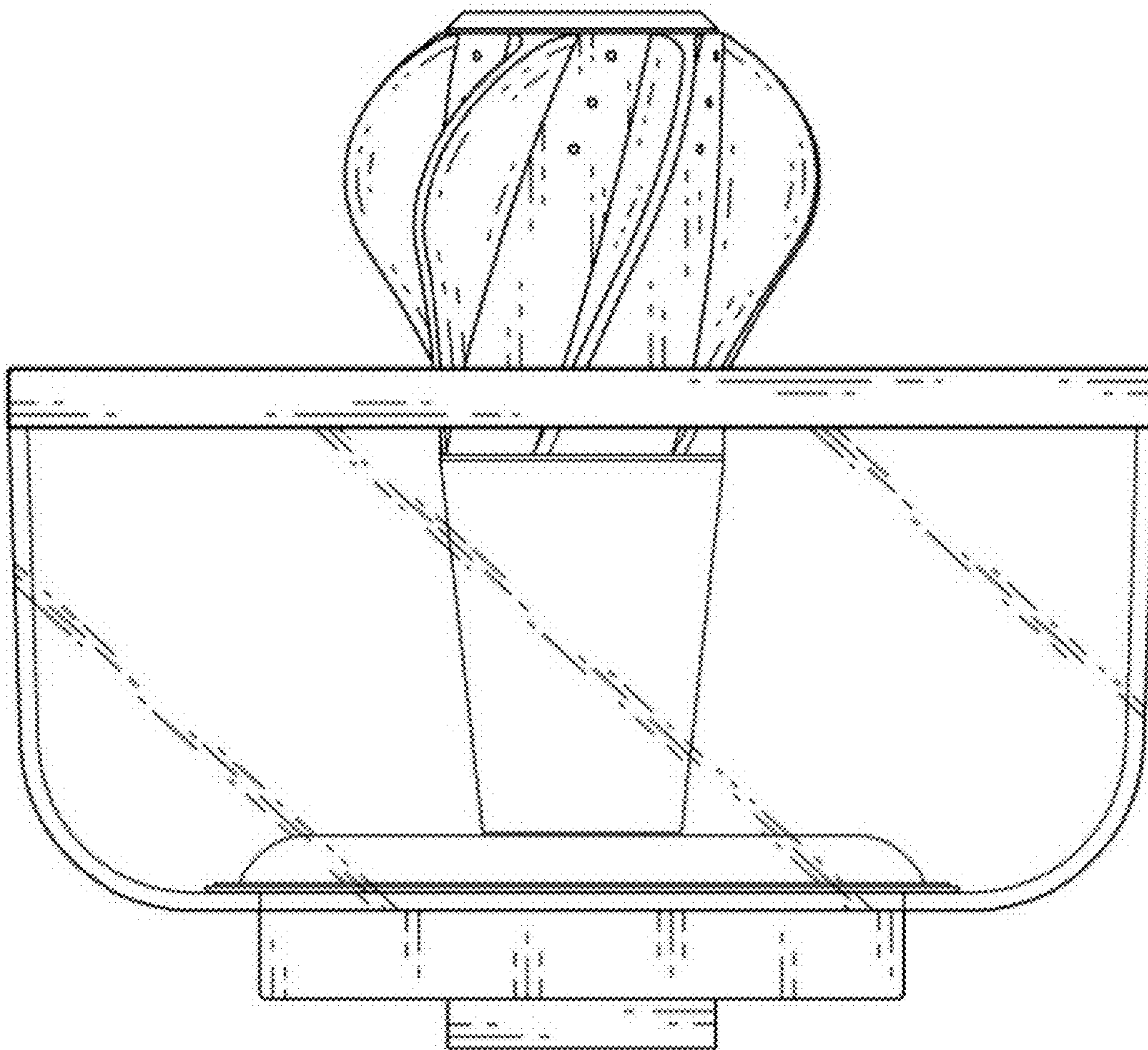
1 Claim, 9 Drawing Sheets



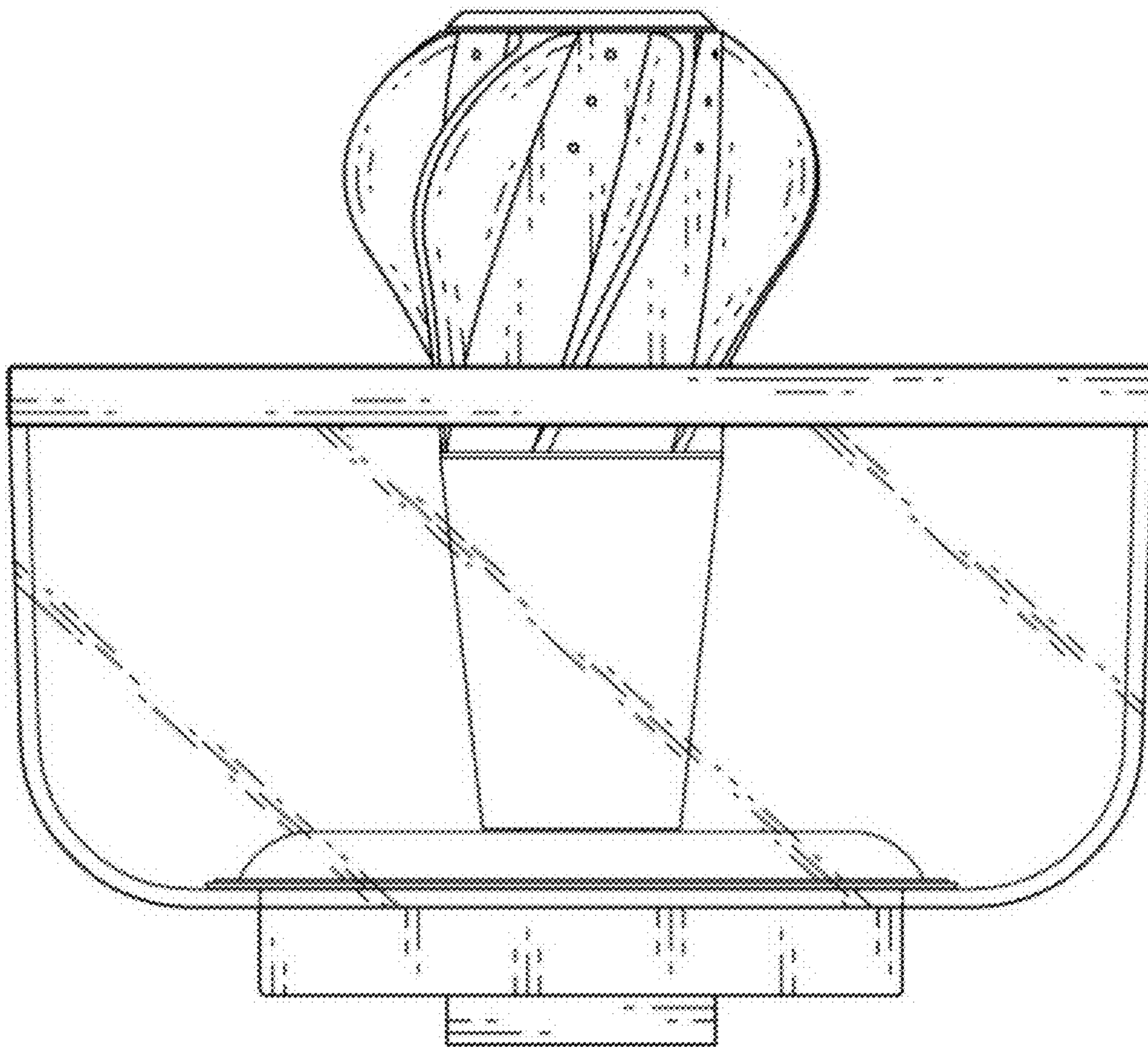
1.1



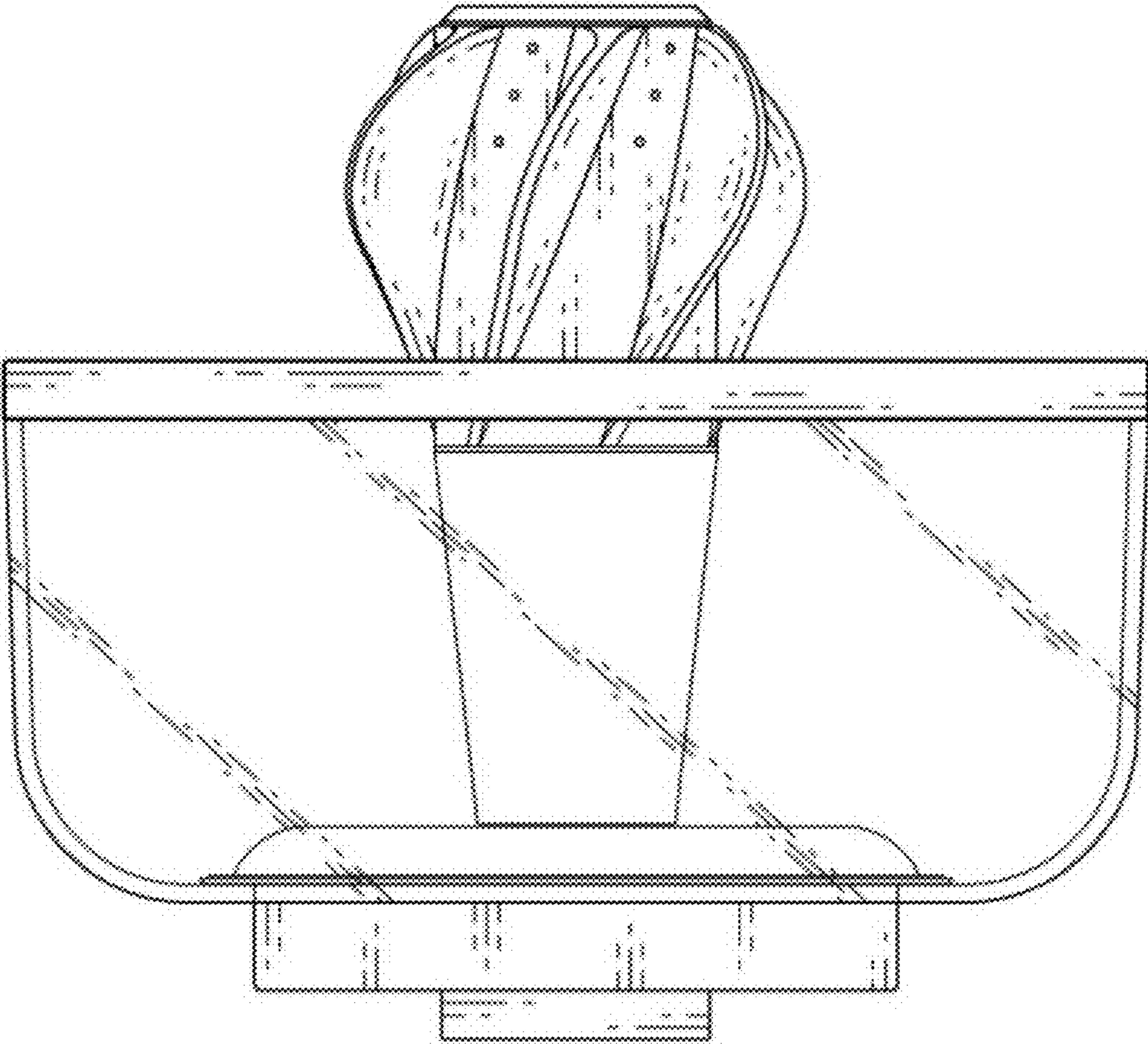
1.2



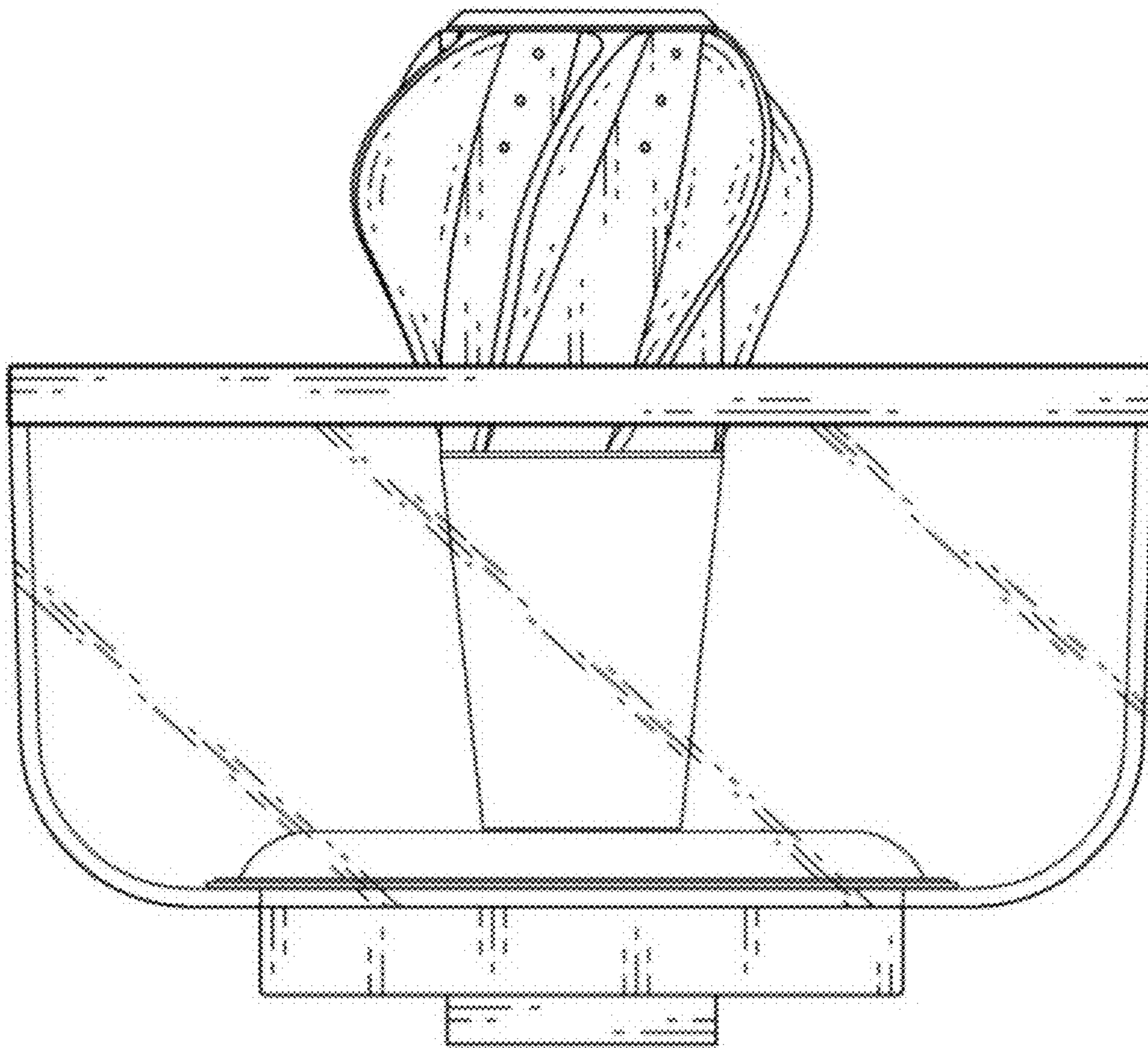
1.3



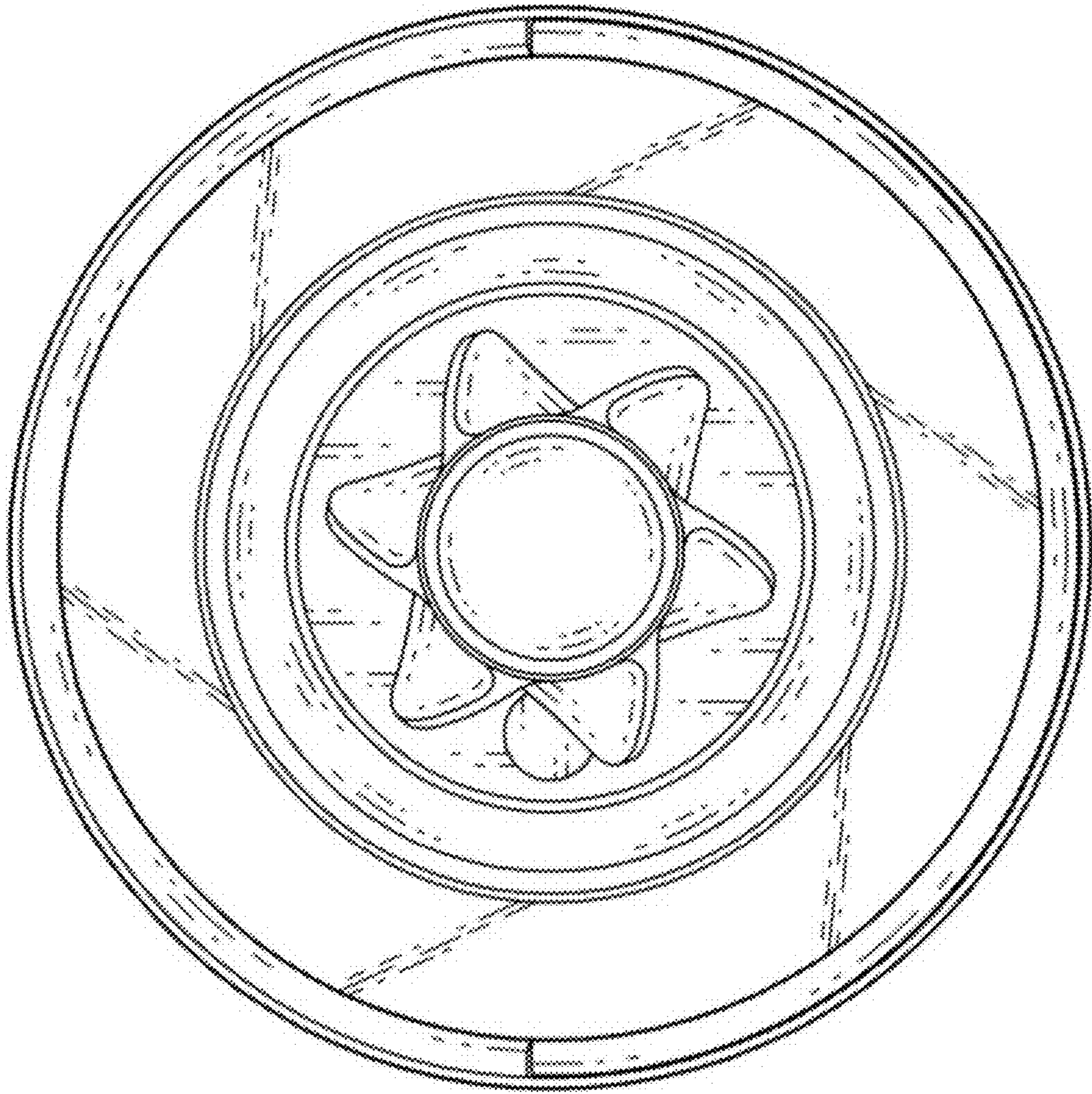
1.4



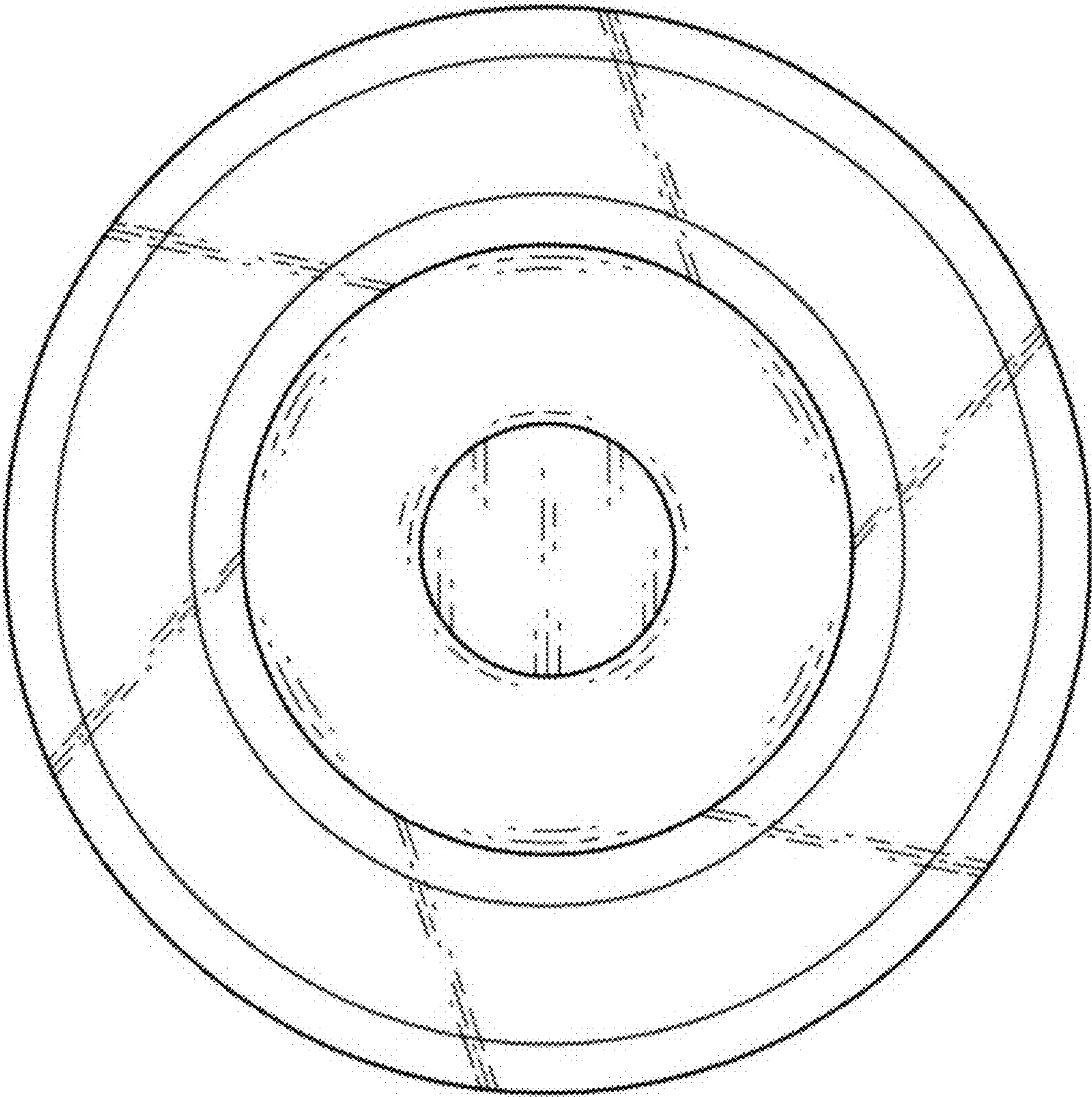
1.5



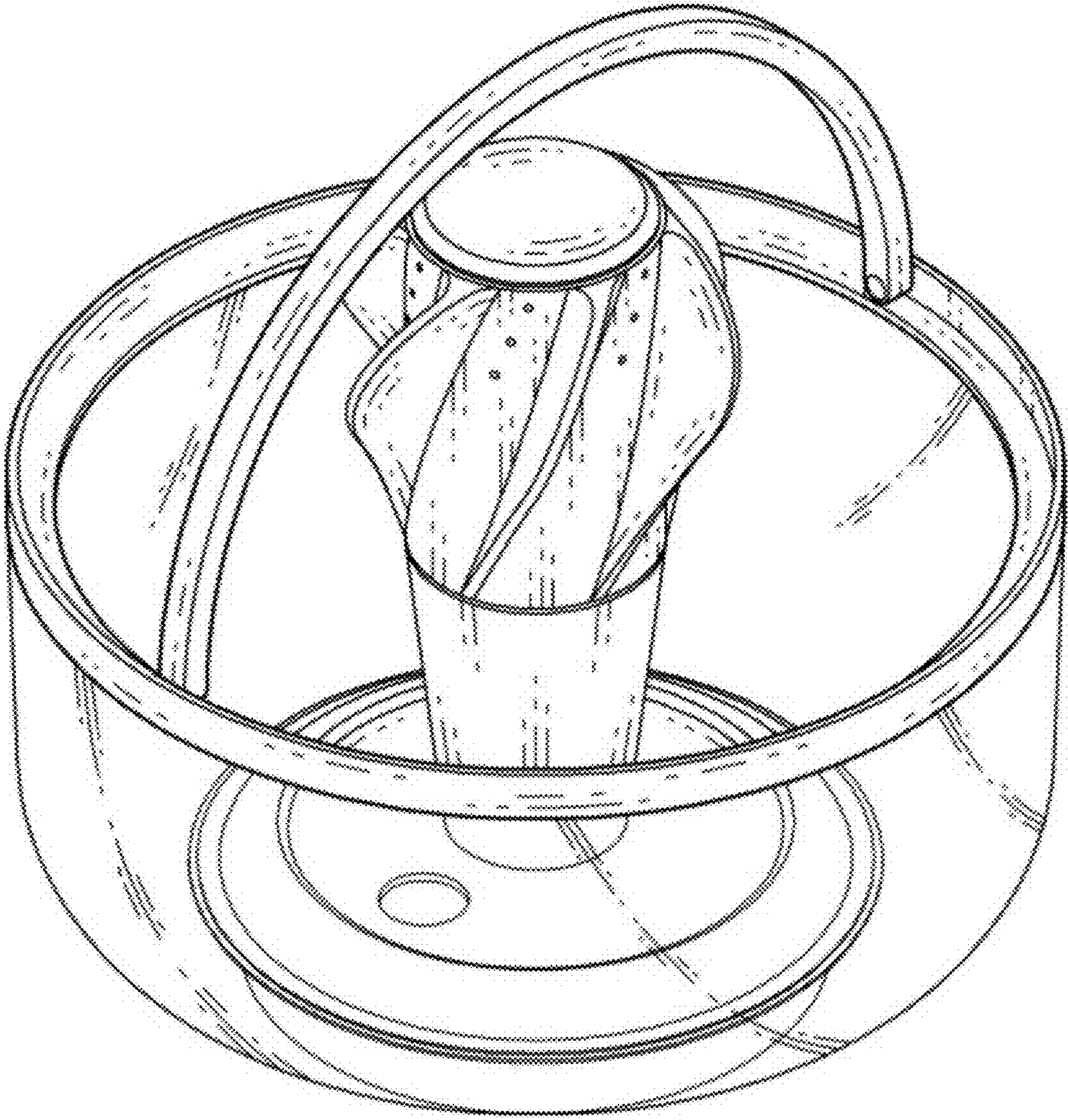
1.6



1.7



1.8



1.9

