



US00D806846S

(12) **United States Design Patent**
Kim et al.

(10) **Patent No.:** **US D806,846 S**

(45) **Date of Patent:** **** Jan. 2, 2018**

(54) **WATER SUPPLY CONTAINER FOR AIR PURIFIER WITH HUMIDIFIER**

(71) Applicant: **LG ELECTRONICS INC.**, Seoul (KR)

(72) Inventors: **Joosang Kim**, Seoul (KR); **Seungmin Yoo**, Seoul (KR); **Sungkyong Han**, Seoul (KR); **Sehwan Bae**, Seoul (KR)

(73) Assignee: **LG ELECTRONICS INC.**, Seoul (KR)

(**) Term: **15 Years**

(21) Appl. No.: **35/501,215**

(22) Filed: **Feb. 5, 2016**

(80) **Hague Agreement Data**

Int. Filing Date: **Feb. 5, 2016**

Int. Reg. No.: **DM/091385**

Int. Reg. Date: **Feb. 5, 2016**

Int. Reg. Pub. Date: **Jul. 15, 2016**

(51) **LOC (11) Cl.** **23-04**

(52) **U.S. Cl.**
USPC **D23/364**

(58) **Field of Classification Search**
USPC D23/355, 356, 359, 364, 370, 386
CPC B01D 46/00; B01D 46/0002; A61L 9/00
See application file for complete search history.

(56) **References Cited**

U.S. PATENT DOCUMENTS

D281,618 S * 12/1985 Grube D23/364
D462,117 S * 8/2002 Gieseke D23/364

D495,043 S * 8/2004 Gatchell D23/364
D638,923 S * 5/2011 Choi D23/364
D714,923 S * 10/2014 Engelhard D23/364
D788,279 S * 5/2017 Lee D23/359
D788,897 S * 6/2017 Lee D23/356

* cited by examiner

Primary Examiner — Michael A Pratt

(74) *Attorney, Agent, or Firm* — Birch, Stewart, Kolasch & Birch, LLP

(57) **CLAIM**

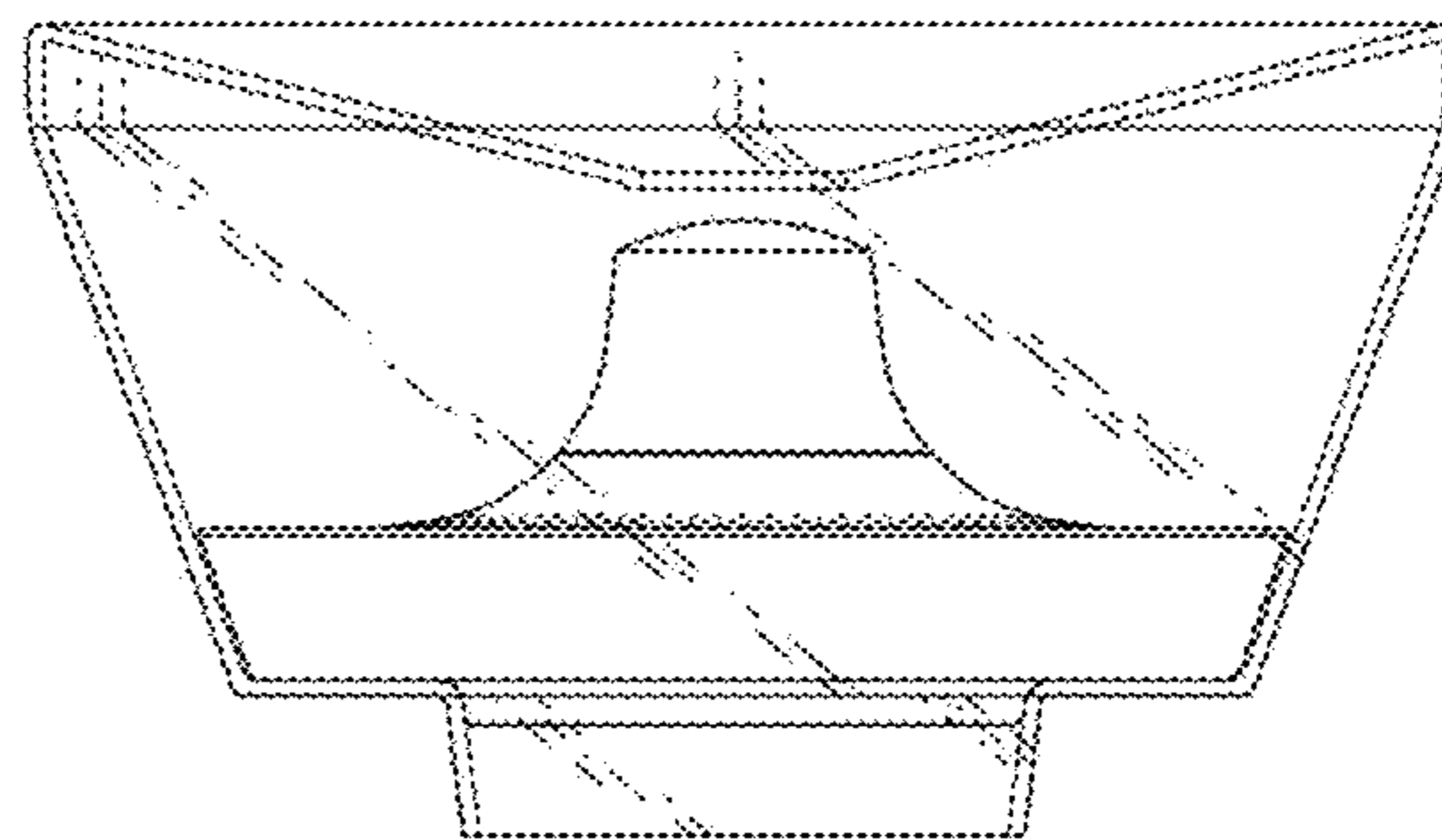
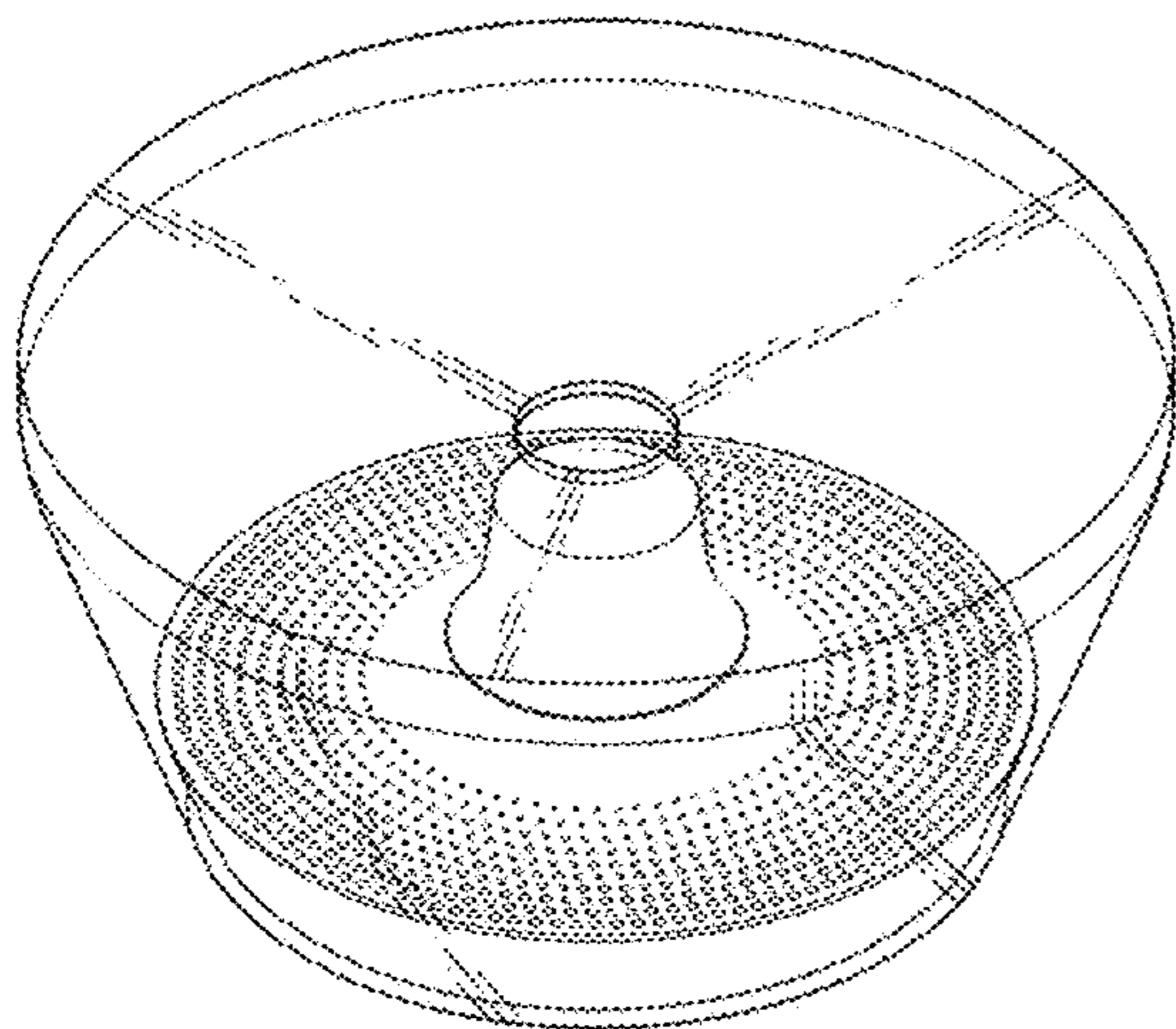
The ornamental design for a water supply container for air purifier with humidifier, as shown and described.

DESCRIPTION

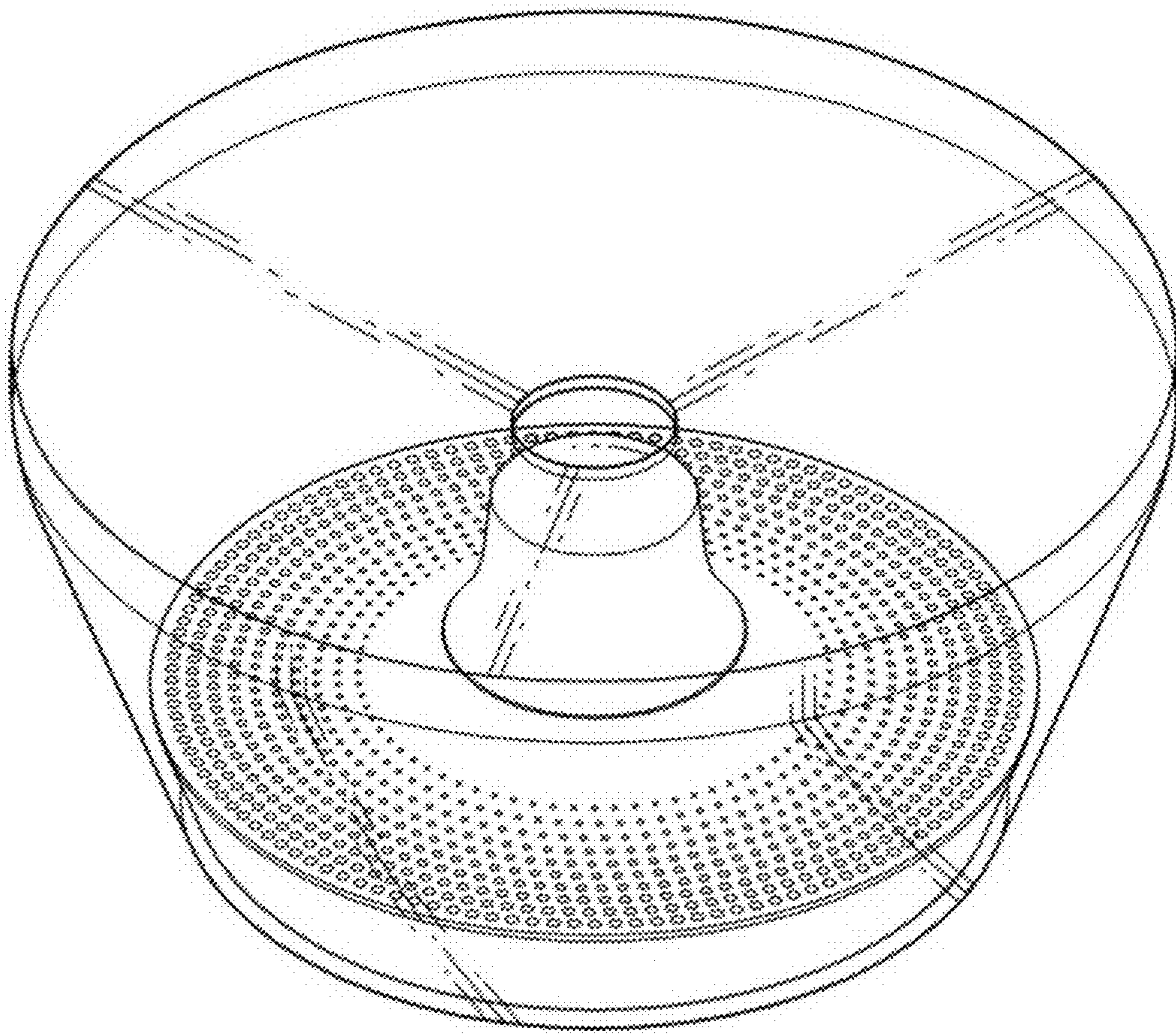
1. Water supply container for air purifier with humidifier
1.1 is a perspective view of a water supply container for air purifier with humidifier showing our new design;
1.2 is a front elevation view thereof;
1.3 is a rear elevation view thereof;
1.4 is a left-side elevation view thereof;
1.5 is a right-side elevation view thereof;
1.6 is a top plan view thereof;
1.7 is a bottom plan view thereof;
1.8 is a perspective view thereof showing the combined air purifier with humidifier in a use condition; and
1.9 is a front elevation view thereof shown in a use condition.

The broken line showing in 1.8 is for the purpose of illustrating environment of the water supply container for air purifier with humidifier and forms no part of the claimed design.

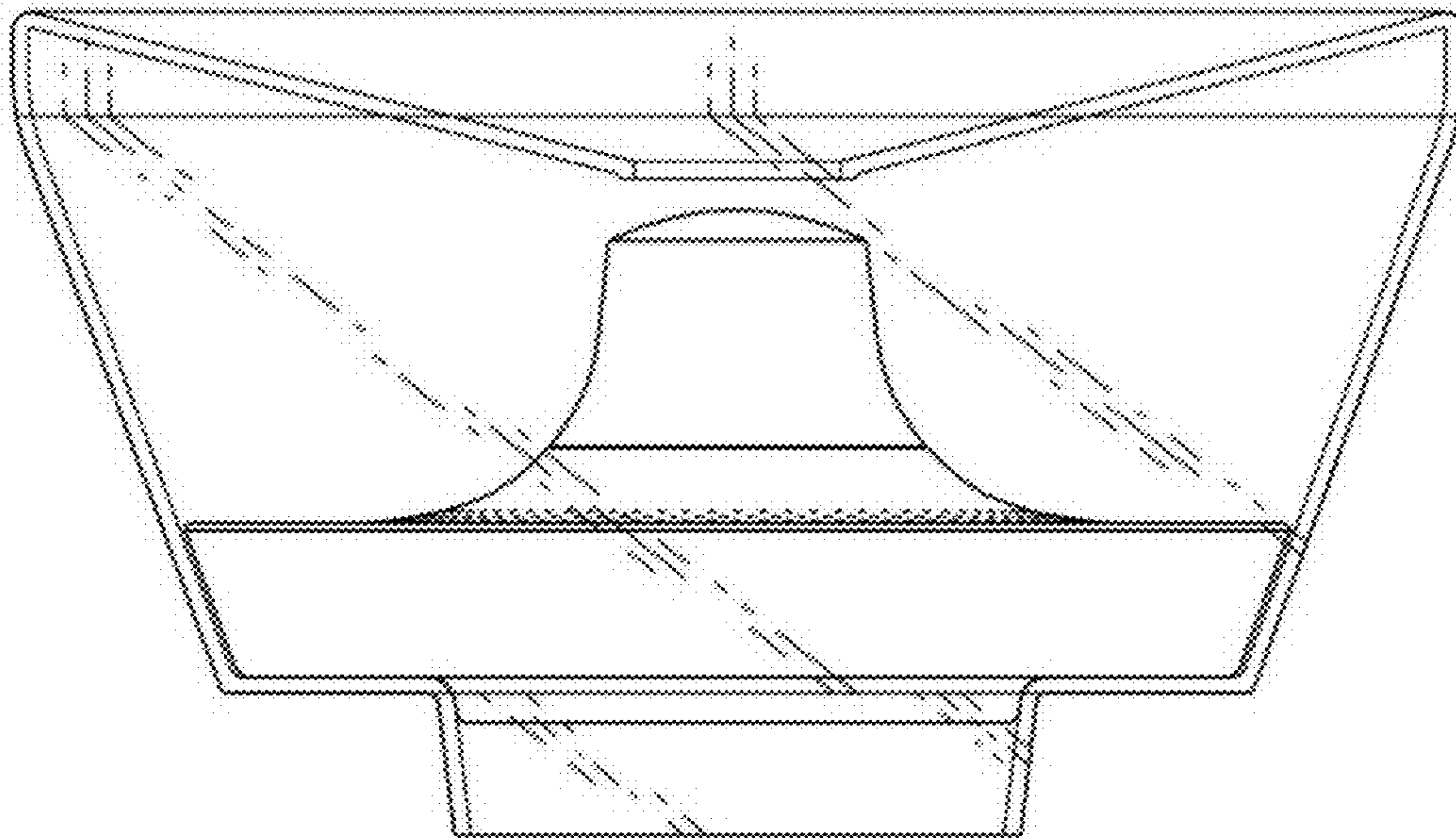
1 Claim, 9 Drawing Sheets



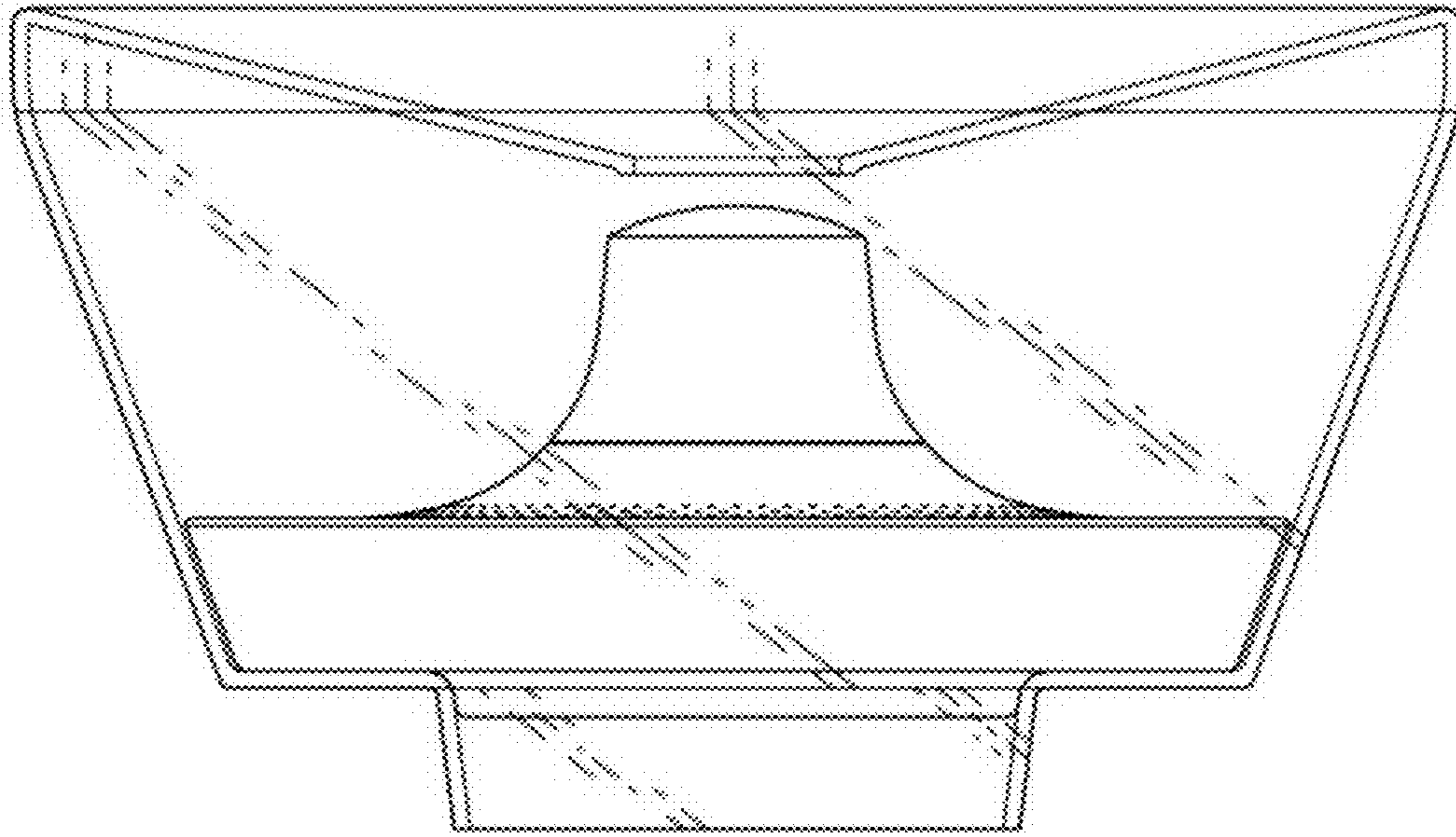
1.1



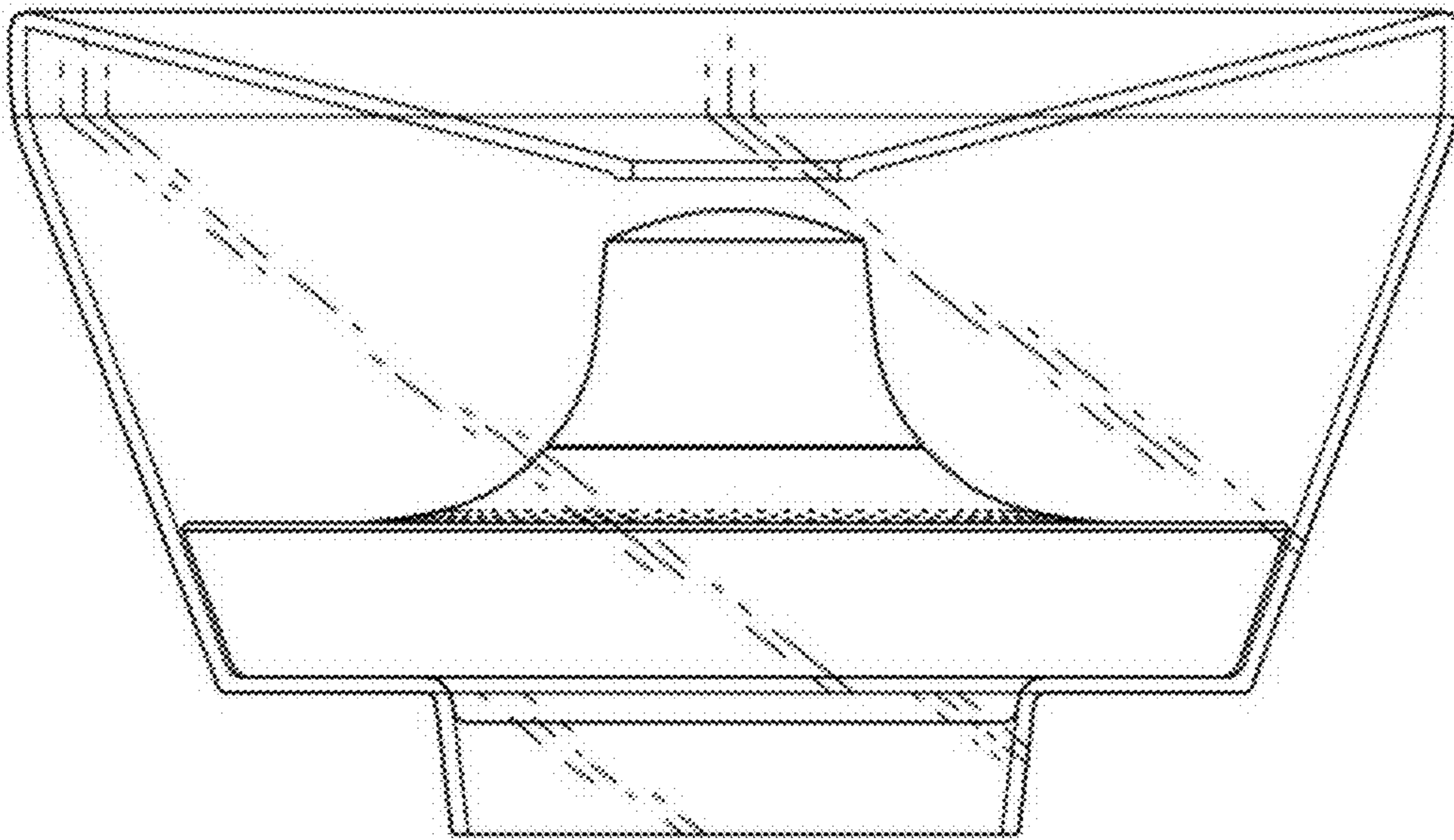
1.2



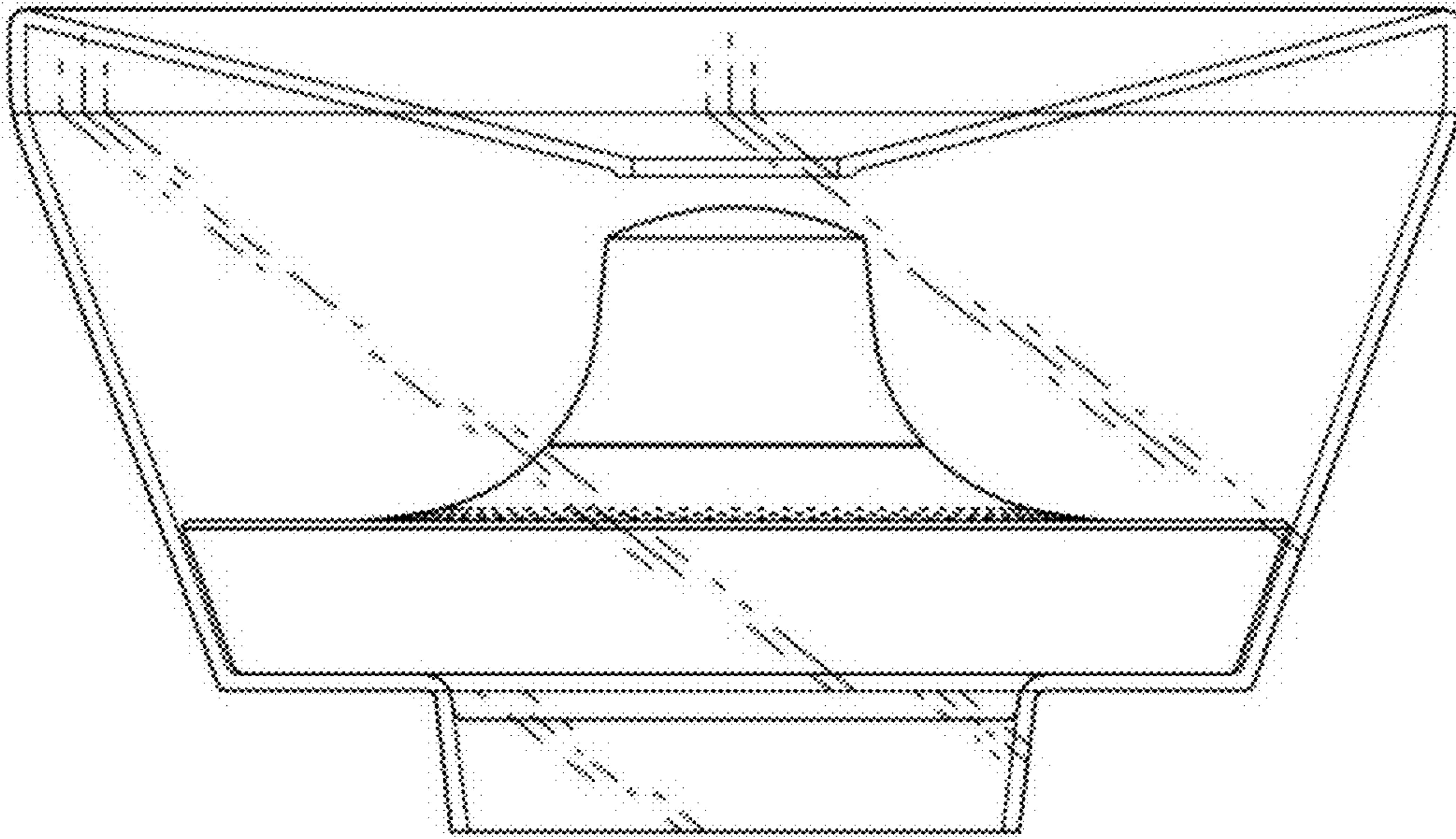
1.3



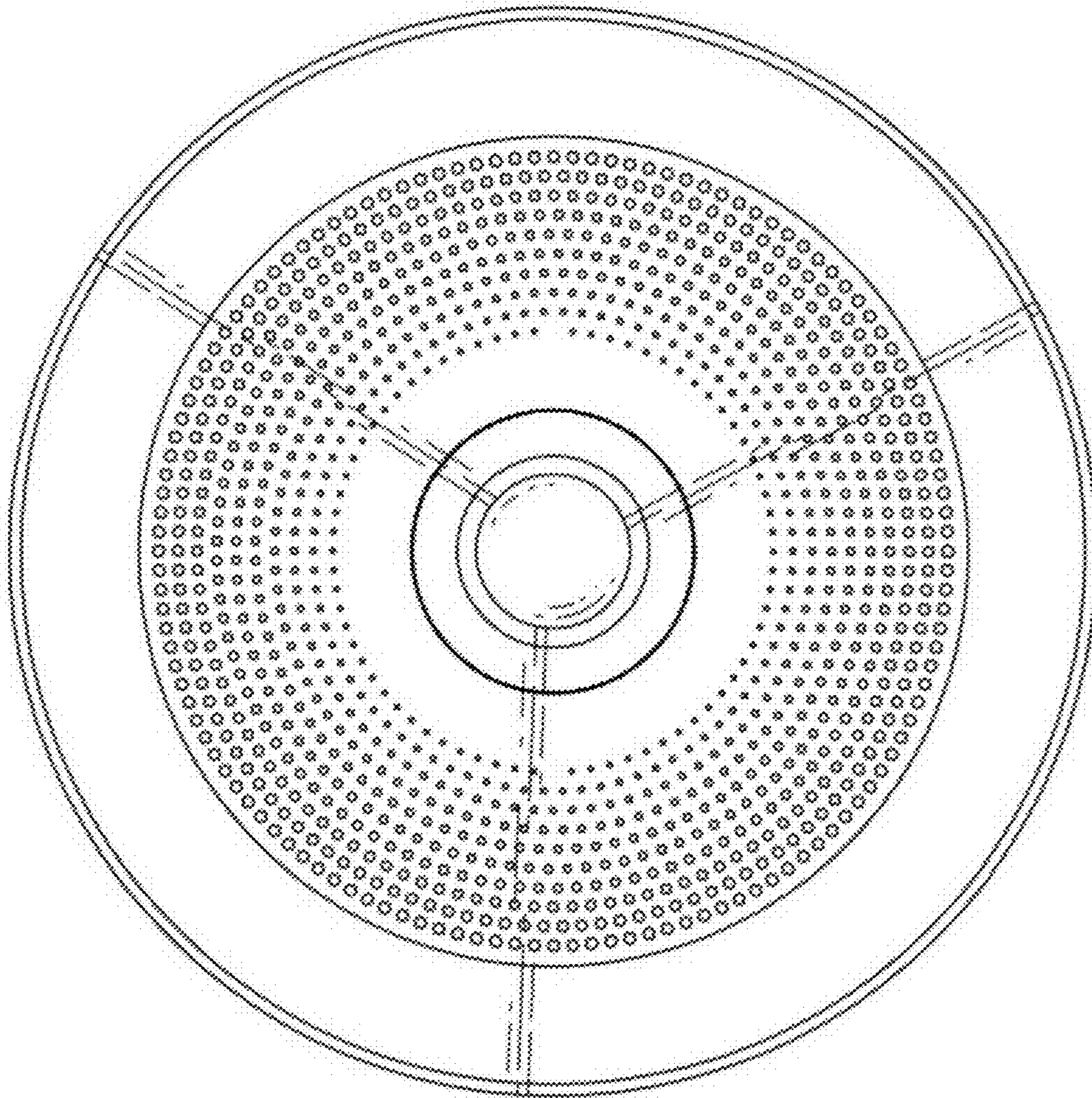
1.4



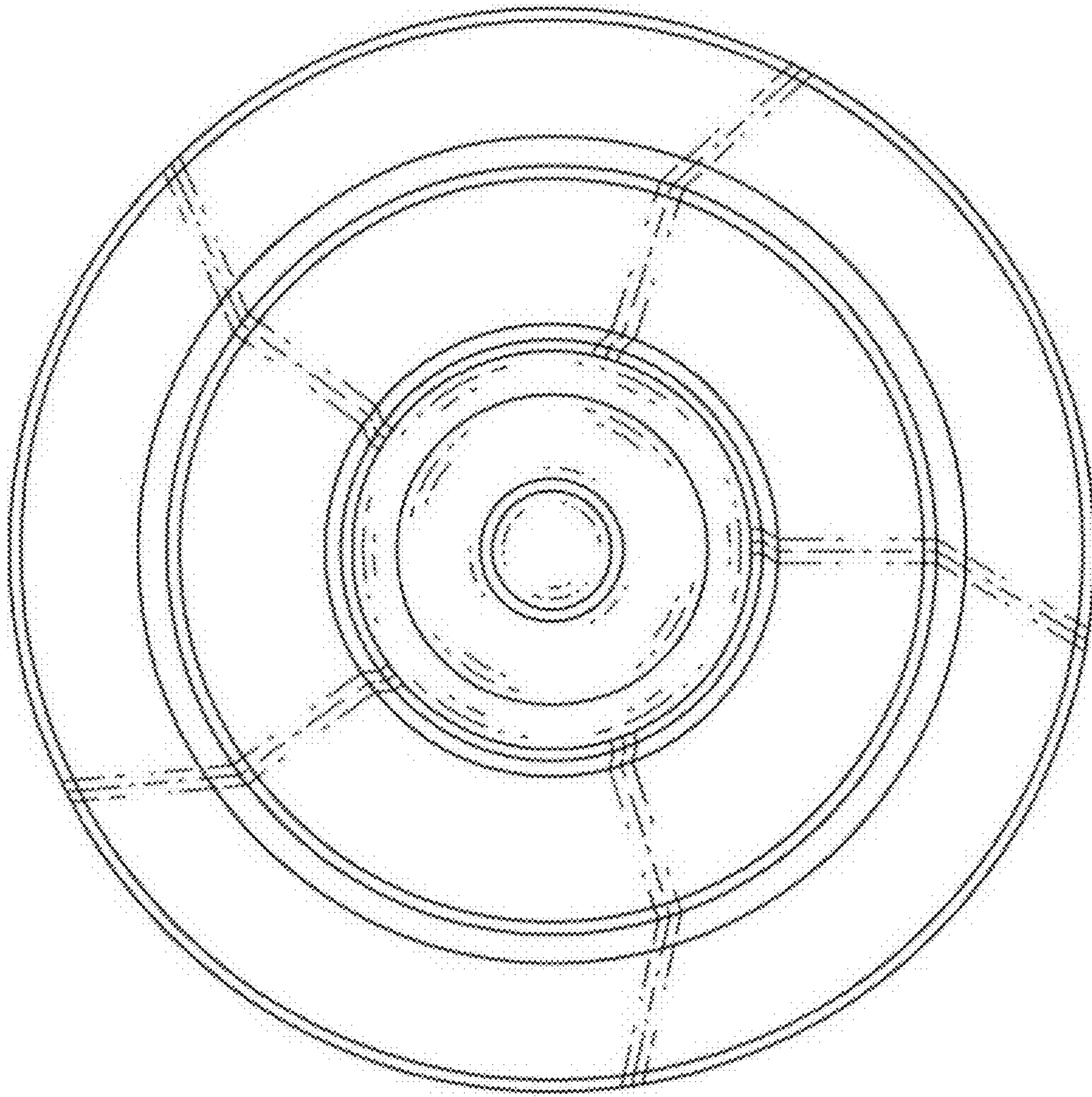
1.5



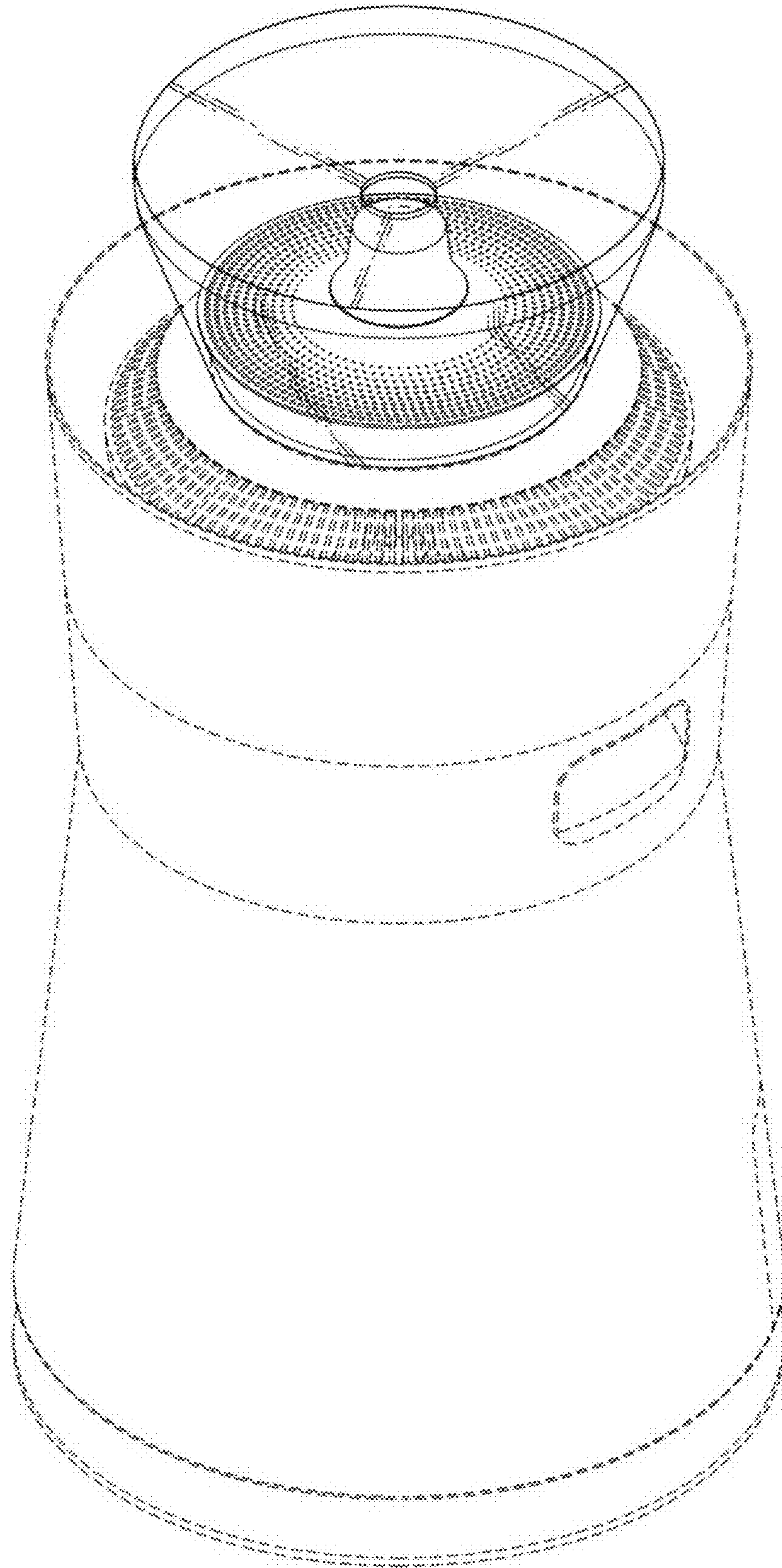
1.6



1.7



1.8



1.9

