



US00D806842S

(12) **United States Design Patent**
Goad

(10) **Patent No.:** **US D806,842 S**
(45) **Date of Patent:** **** Jan. 2, 2018**

(54) **TOILET**

(71) Applicant: **Kohler Co.**, Kohler, WI (US)

(72) Inventor: **Robin A. Goad**, Sheboygan, WI (US)

(73) Assignee: **KOHLER CO.**, Kohler, WI (US)

(**) Term: **15 Years**

(21) Appl. No.: **29/570,489**

(22) Filed: **Jul. 8, 2016**

(51) **LOC (11) Cl.** **23-02**

(52) **U.S. Cl.**
USPC **D23/301**

(58) **Field of Classification Search**
USPC D23/295-301, 303, 309, 313
CPC A47K 11/02; A47K 11/026
See application file for complete search history.

(56) **References Cited**

U.S. PATENT DOCUMENTS

D430,927 S *	9/2000	Tani	D23/301
D437,634 S	2/2001	Hundley		
D437,920 S *	2/2001	Marshall	D23/295
D465,272 S	11/2002	Gordon		
D483,448 S *	12/2003	Ruxchaivan	D23/295
D496,442 S	9/2004	Bates		
D496,443 S	9/2004	Bates		
D507,335 S	7/2005	Gordon		
D514,208 S	1/2006	Gordon		
D578,621 S *	10/2008	Lee	D23/301
D606,179 S *	12/2009	Cummings	D23/295
D621,011 S *	8/2010	Bucher	D23/301
D672,854 S *	12/2012	Inoue	D23/309
D697,599 S	1/2014	Bates et al.		

(Continued)

Primary Examiner — Robert M. Spear

(74) *Attorney, Agent, or Firm* — Foley & Lardner LLP

(57) **CLAIM**

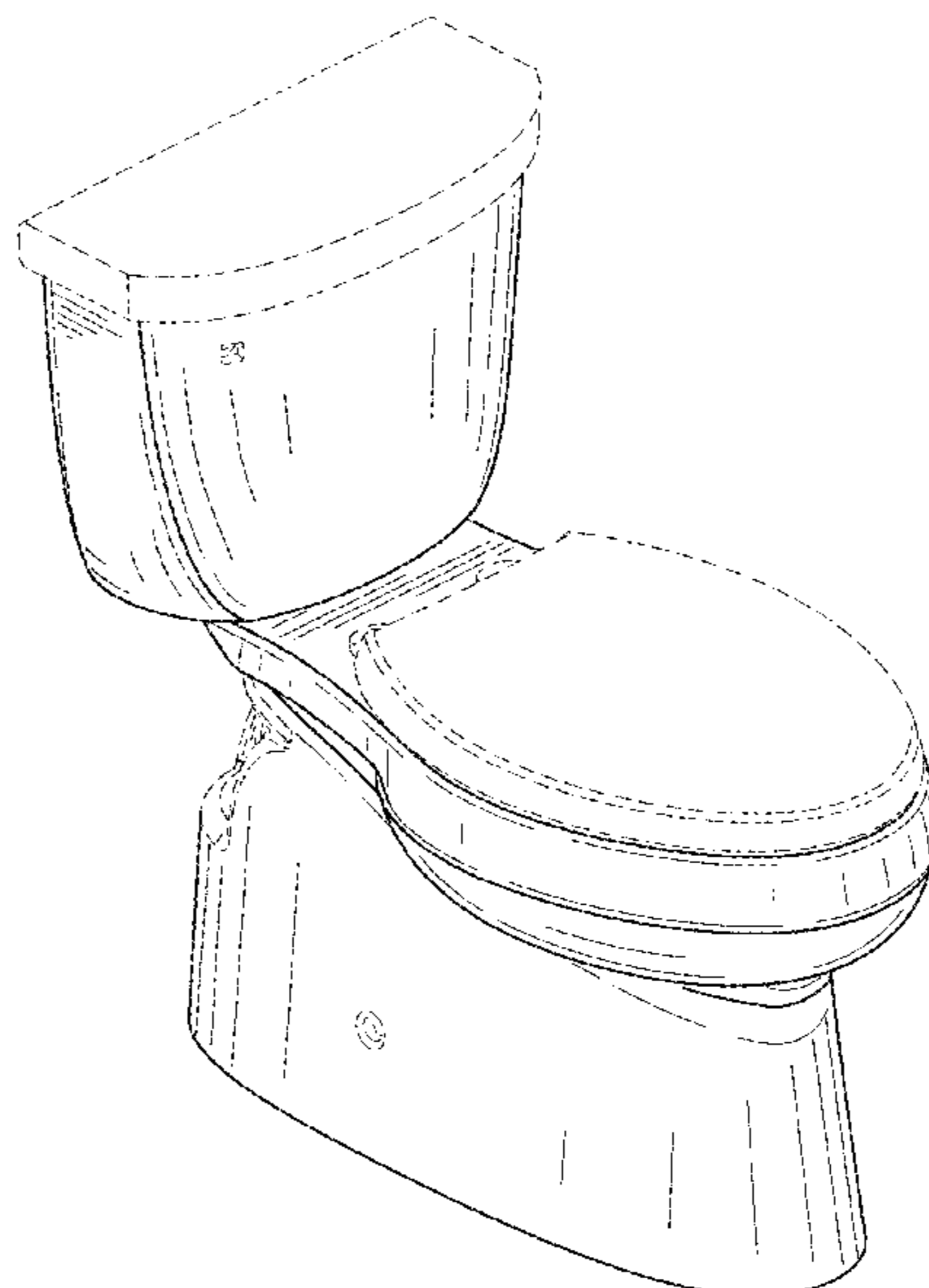
I claim the ornamental design for a toilet, as shown and described.

DESCRIPTION

FIG. 1 is a perspective view of an embodiment of the claimed design including a tank and a pedestal;
 FIG. 2 is a side view of the claimed design shown in FIG. 1;
 FIG. 3 is another side view of the claimed design shown in FIG. 1;
 FIG. 4 is front view of the claimed design shown in FIG. 1;
 FIG. 5 is a rear view of the claimed design shown in FIG. 1;
 FIG. 6 is a top view of the claimed design shown in FIG. 1;
 FIG. 7 is a bottom view of the claimed design shown in FIG. 1;
 FIG. 8 is a perspective view of another embodiment of the claimed design including a tank and a pedestal;
 FIG. 9 is a side view of the claimed design shown in FIG. 8;
 FIG. 10 is another side view of the claimed design shown in FIG. 8;
 FIG. 11 is front view of the claimed design shown in FIG. 8;
 FIG. 12 is a rear view of the claimed design shown in FIG. 8;
 FIG. 13 is a top view of the claimed design shown in FIG. 8; and,
 FIG. 14 is a bottom view of the claimed design shown in FIG. 8.

The ornamental design that is claimed is shown in the drawings as solid lines and surfaces having surface shading. In the drawings, the broken lines depict environmental subject matter only and form no part of the claimed design. The dash/dot/dash lines indicate a boundary between the claimed and unclaimed portion of the design.

1 Claim, 10 Drawing Sheets



(56)

References Cited

U.S. PATENT DOCUMENTS

D697,601 S 1/2014 Bates et al.
D702,819 S * 4/2014 Garland D23/301
D743,516 S * 11/2015 Bates D23/301

* cited by examiner

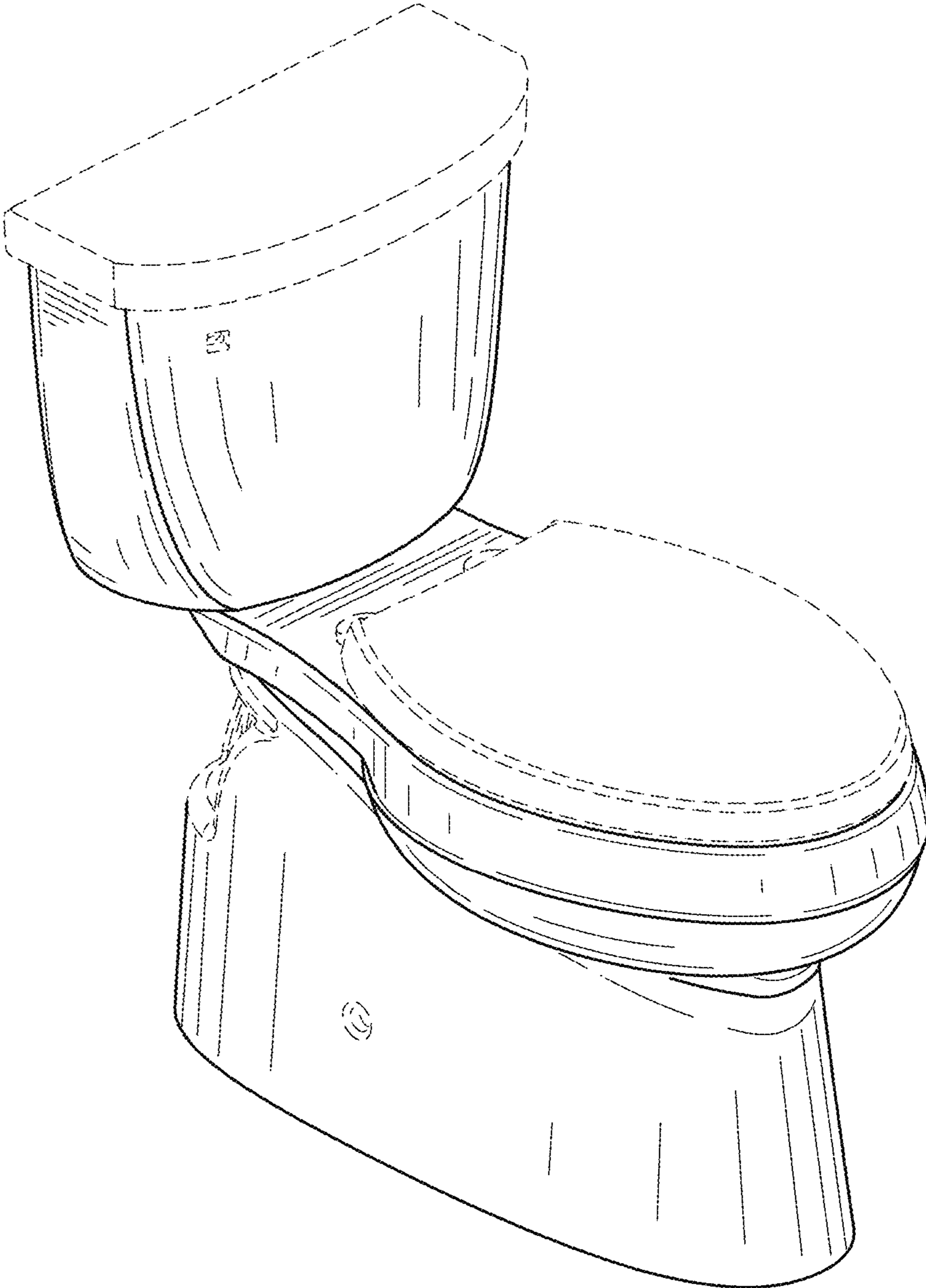


FIG. 1

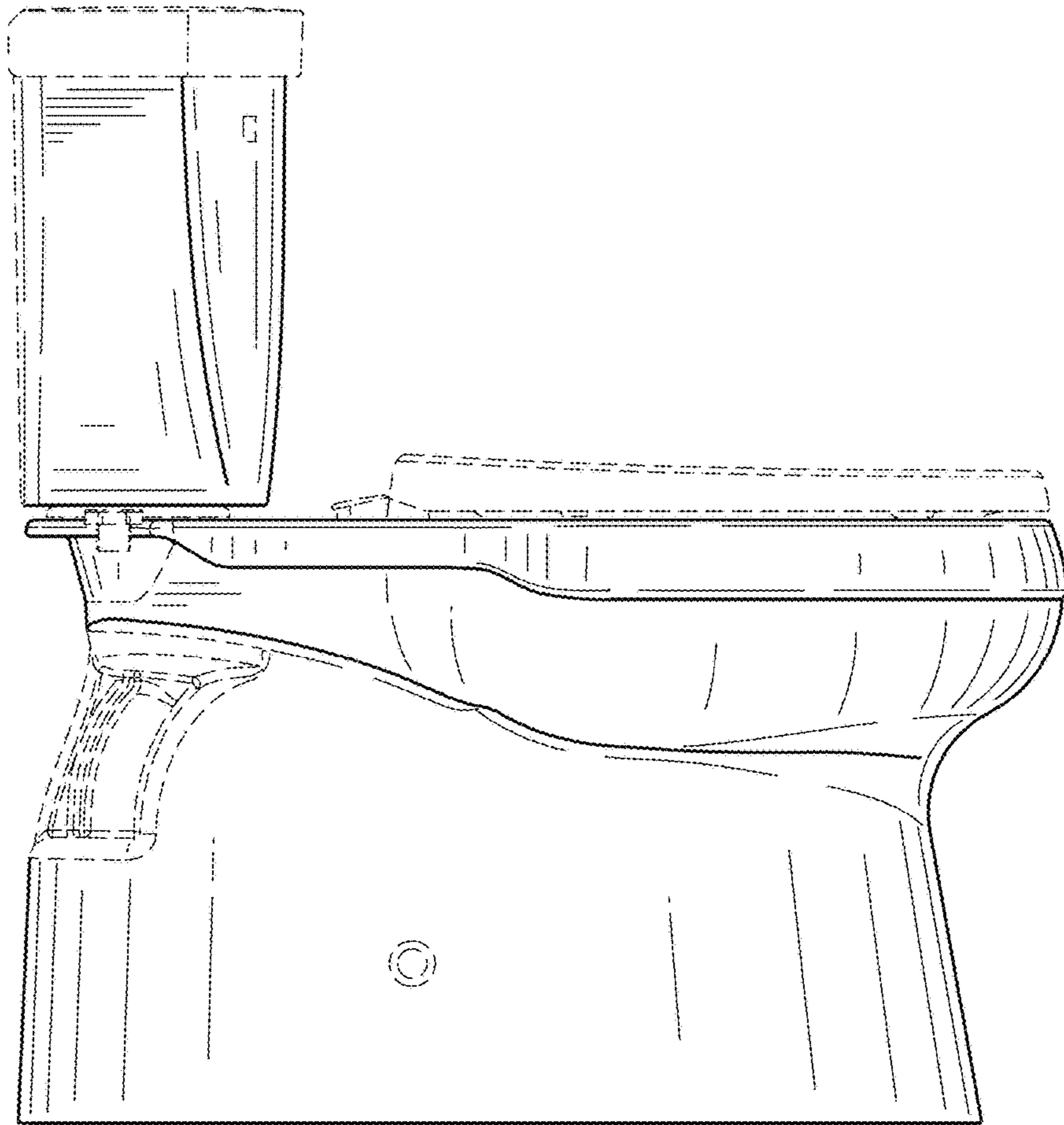


FIG. 2

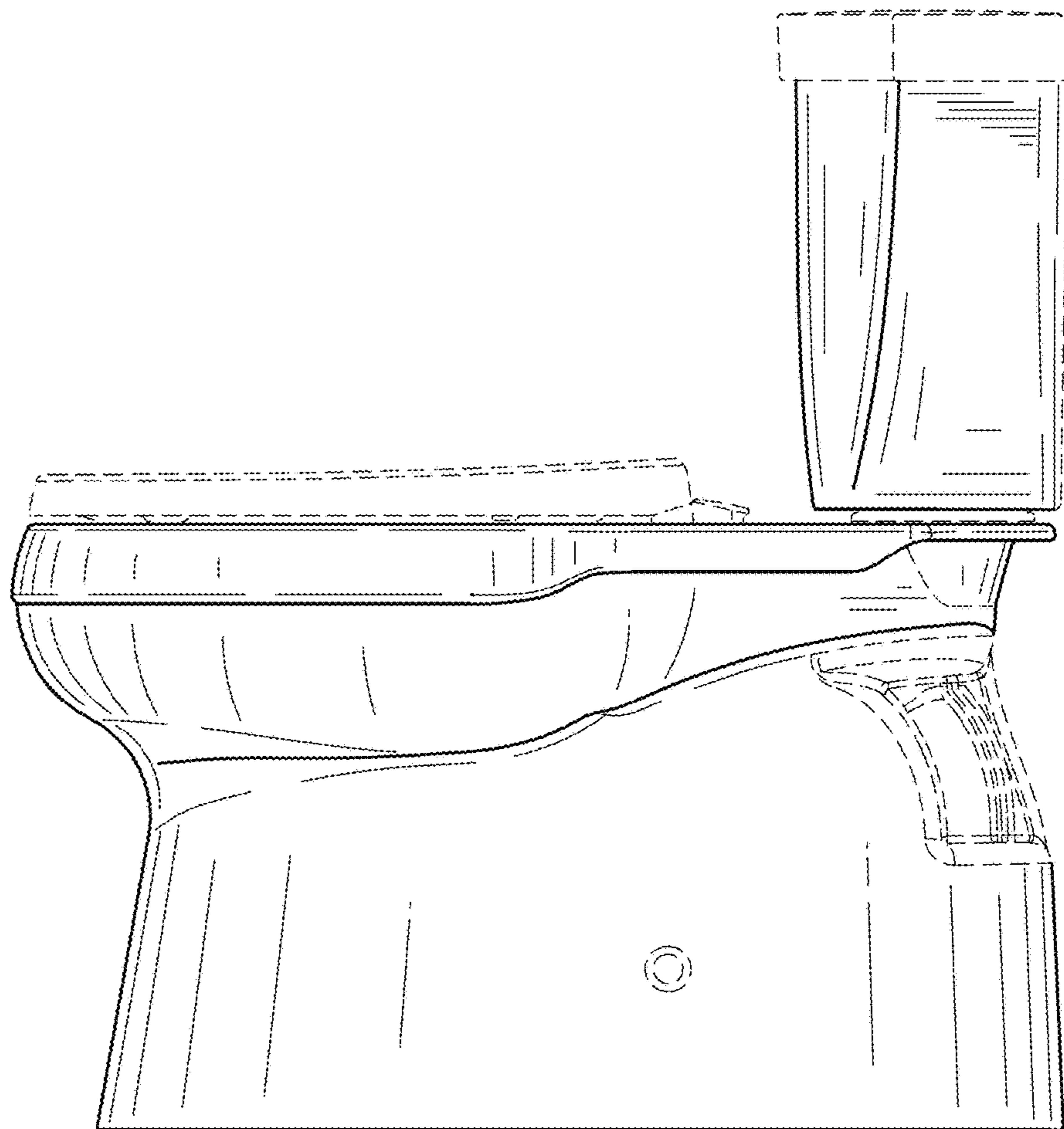


FIG. 3

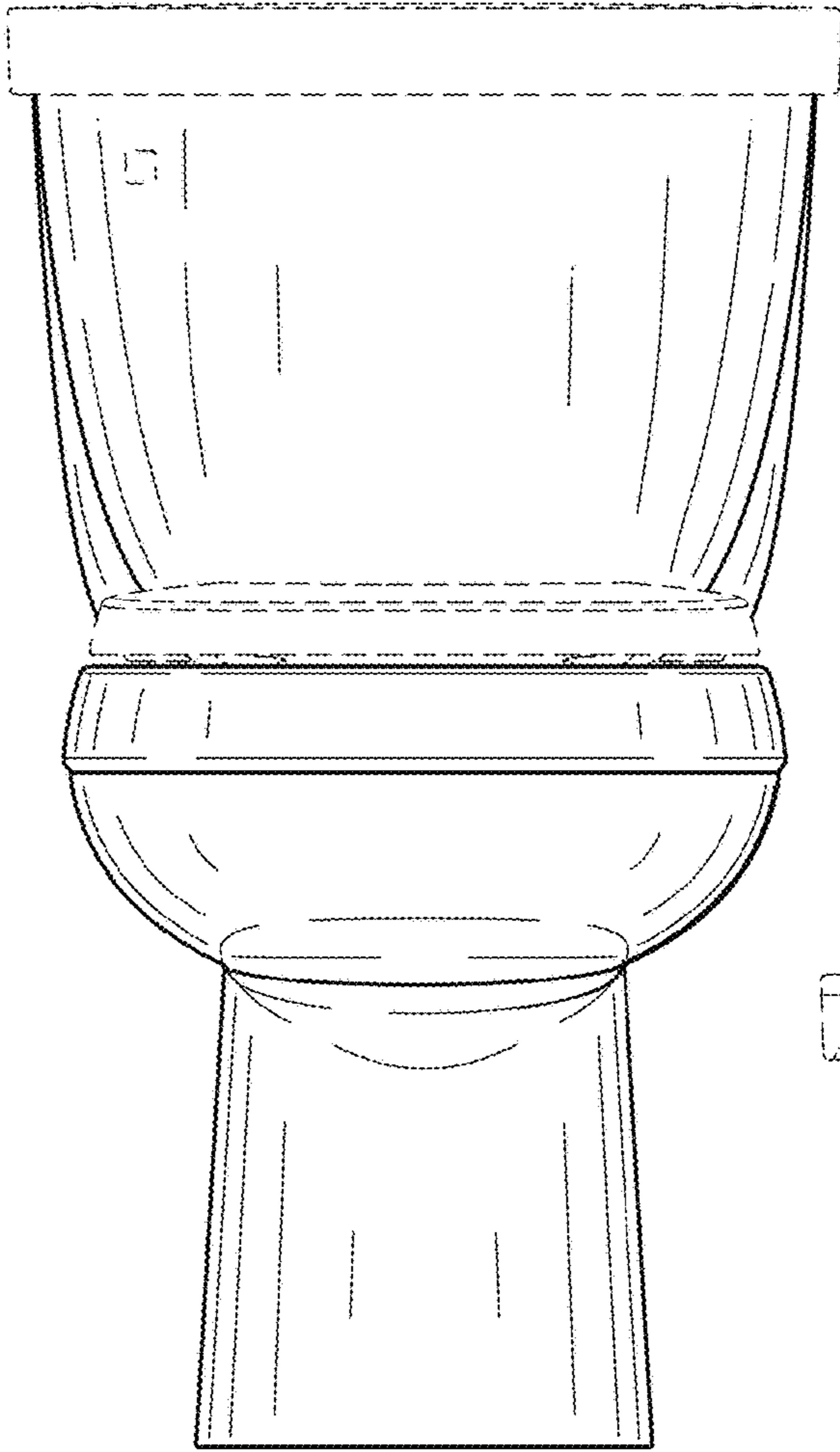


FIG. 4

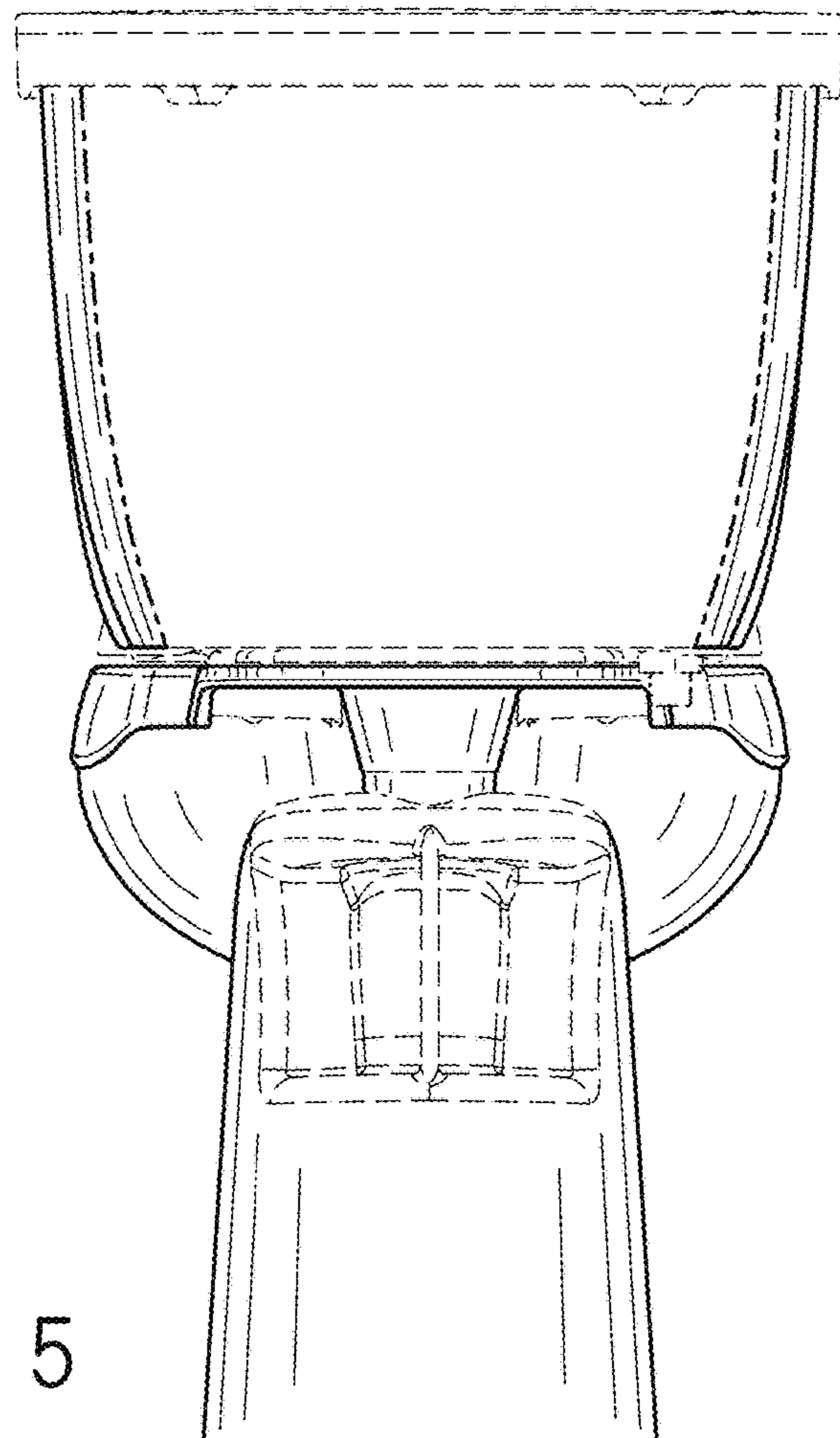


FIG. 5

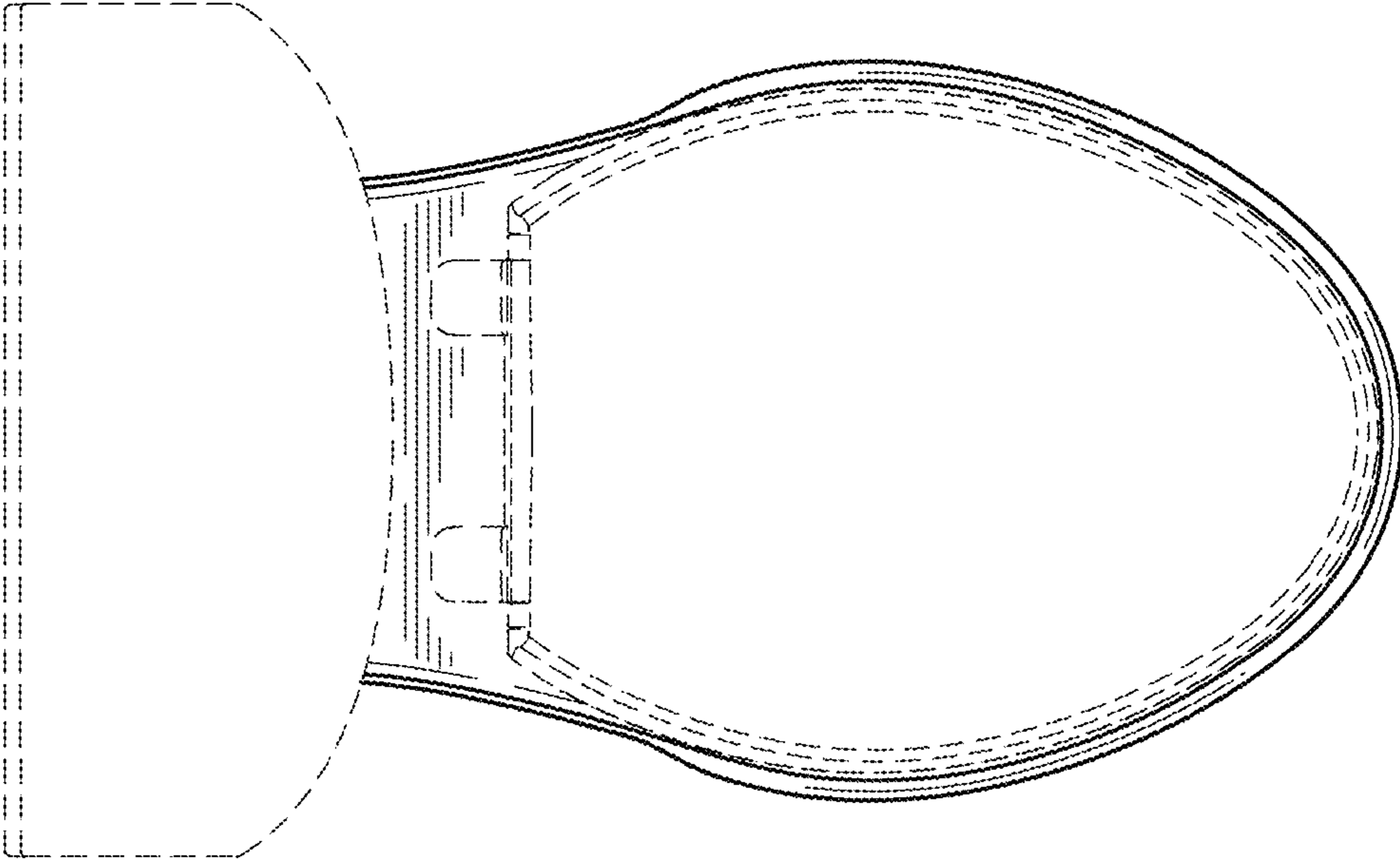


FIG. 6

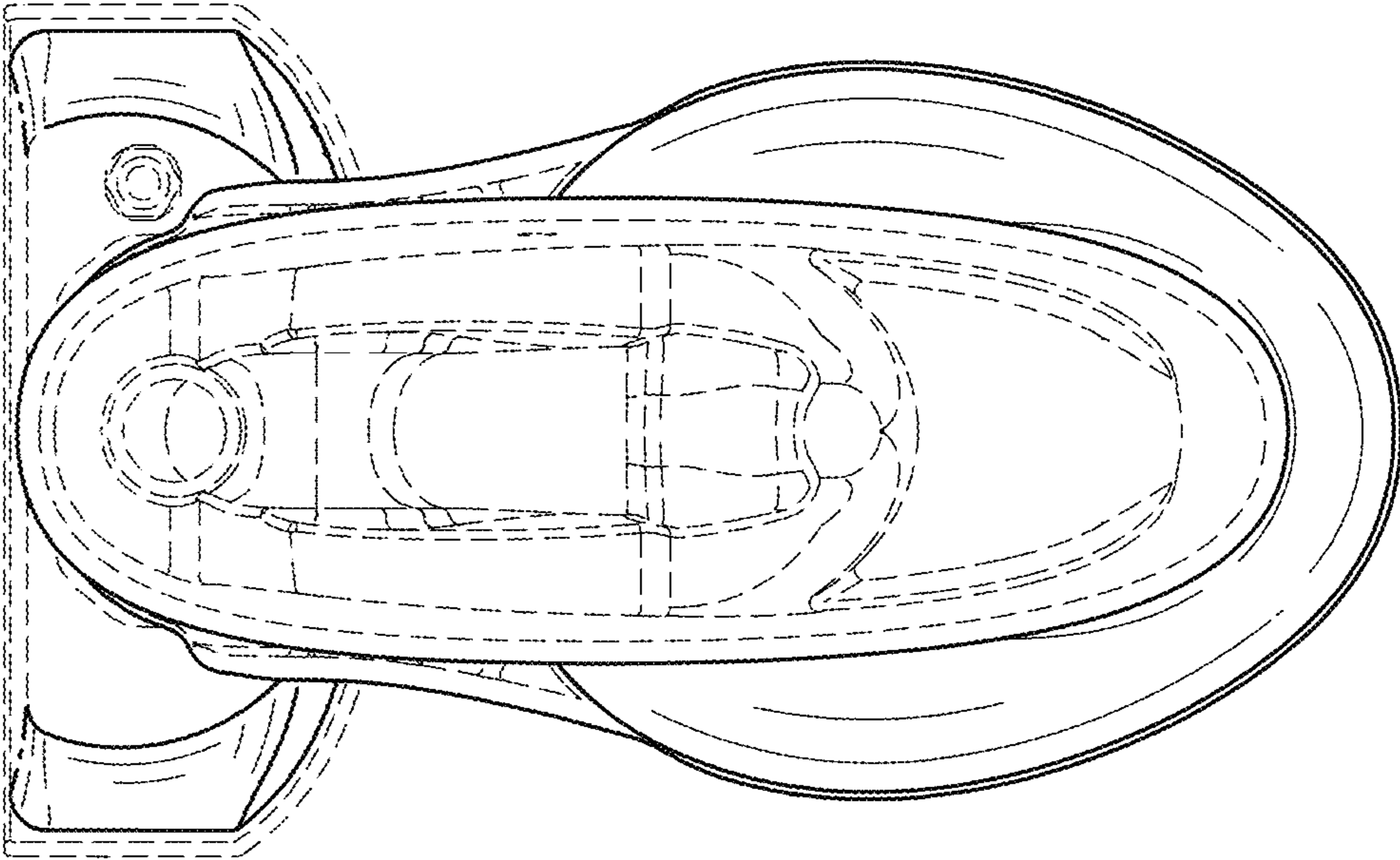


FIG. 7

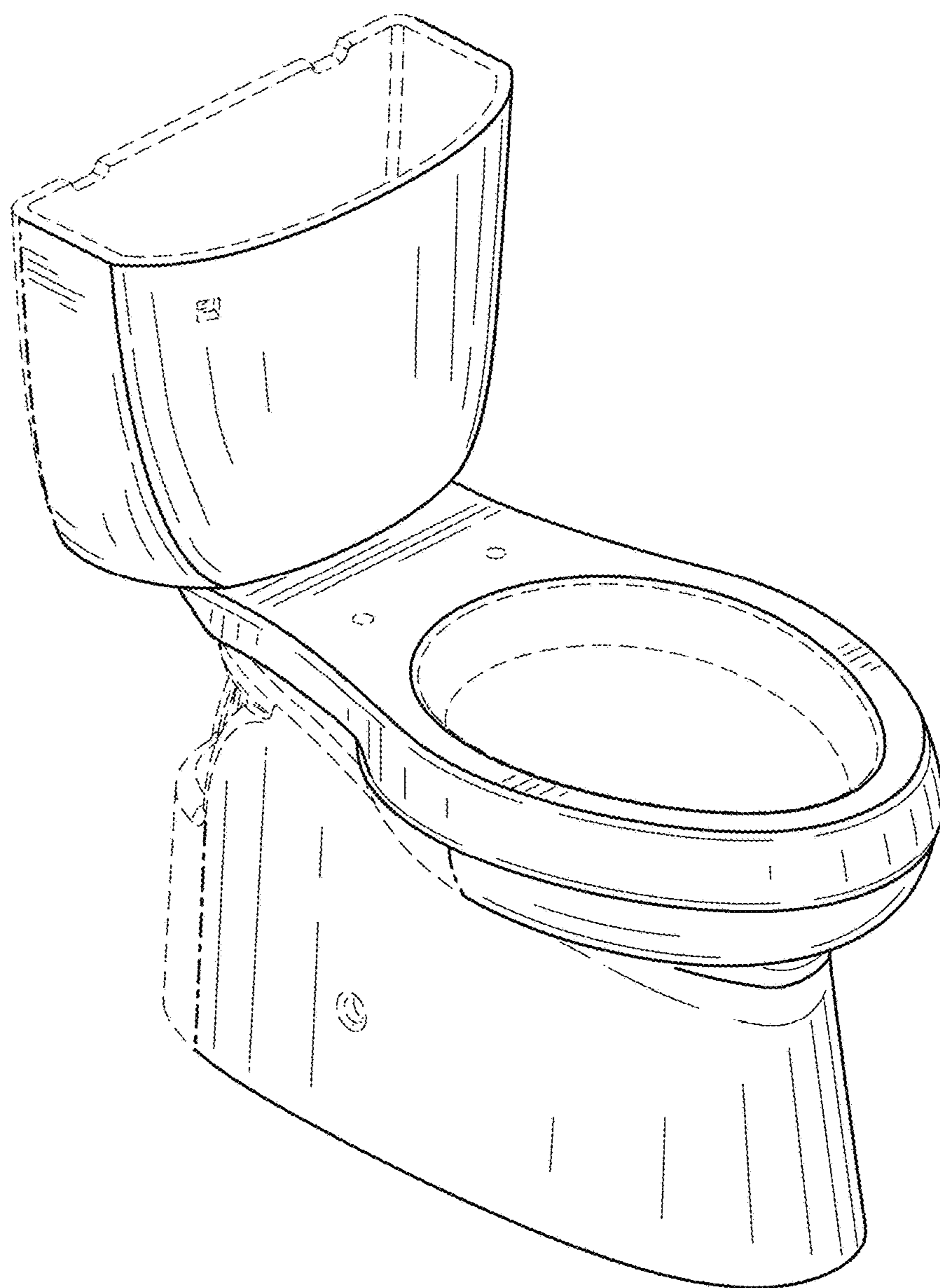


FIG. 8

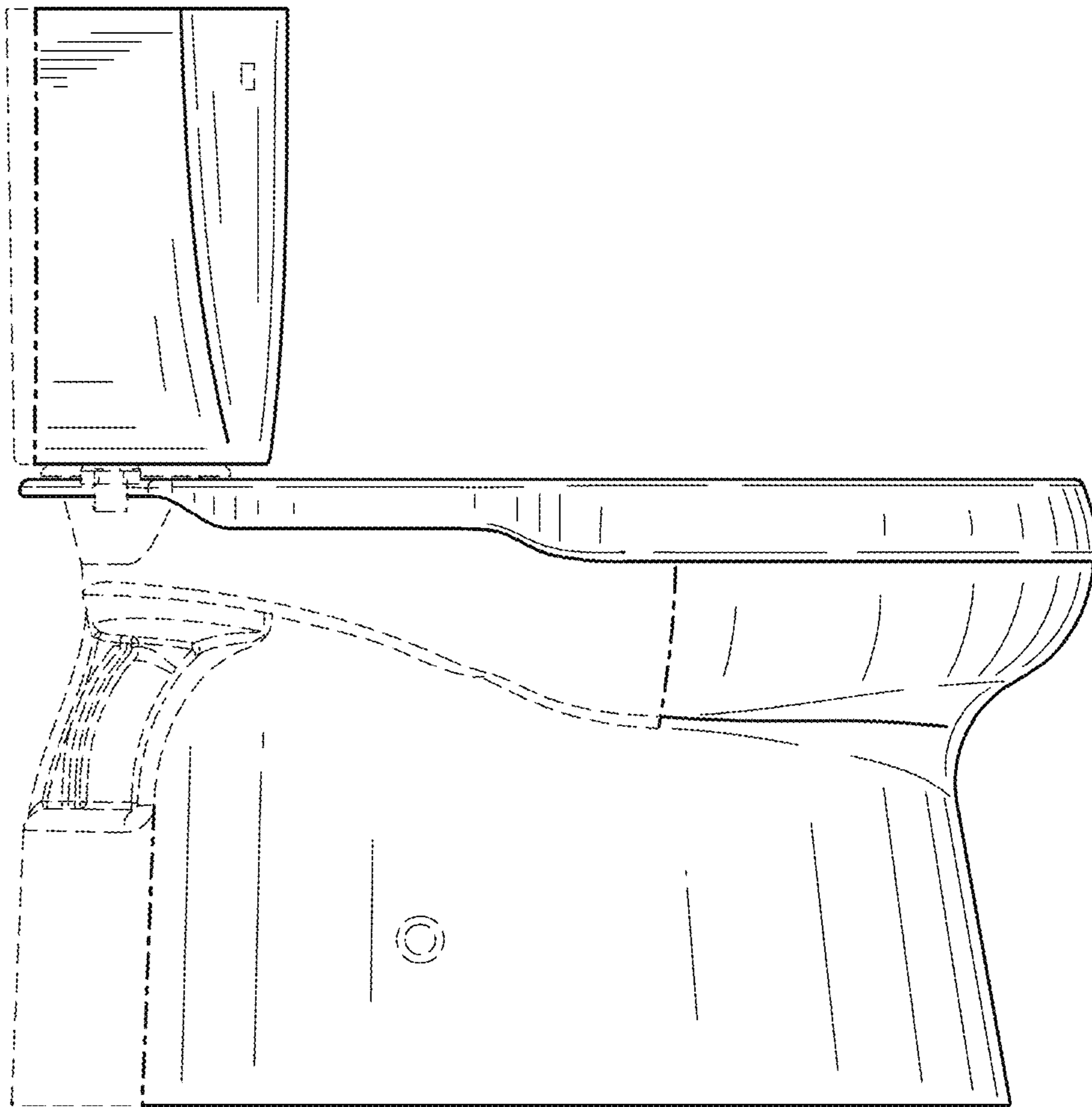


FIG. 9

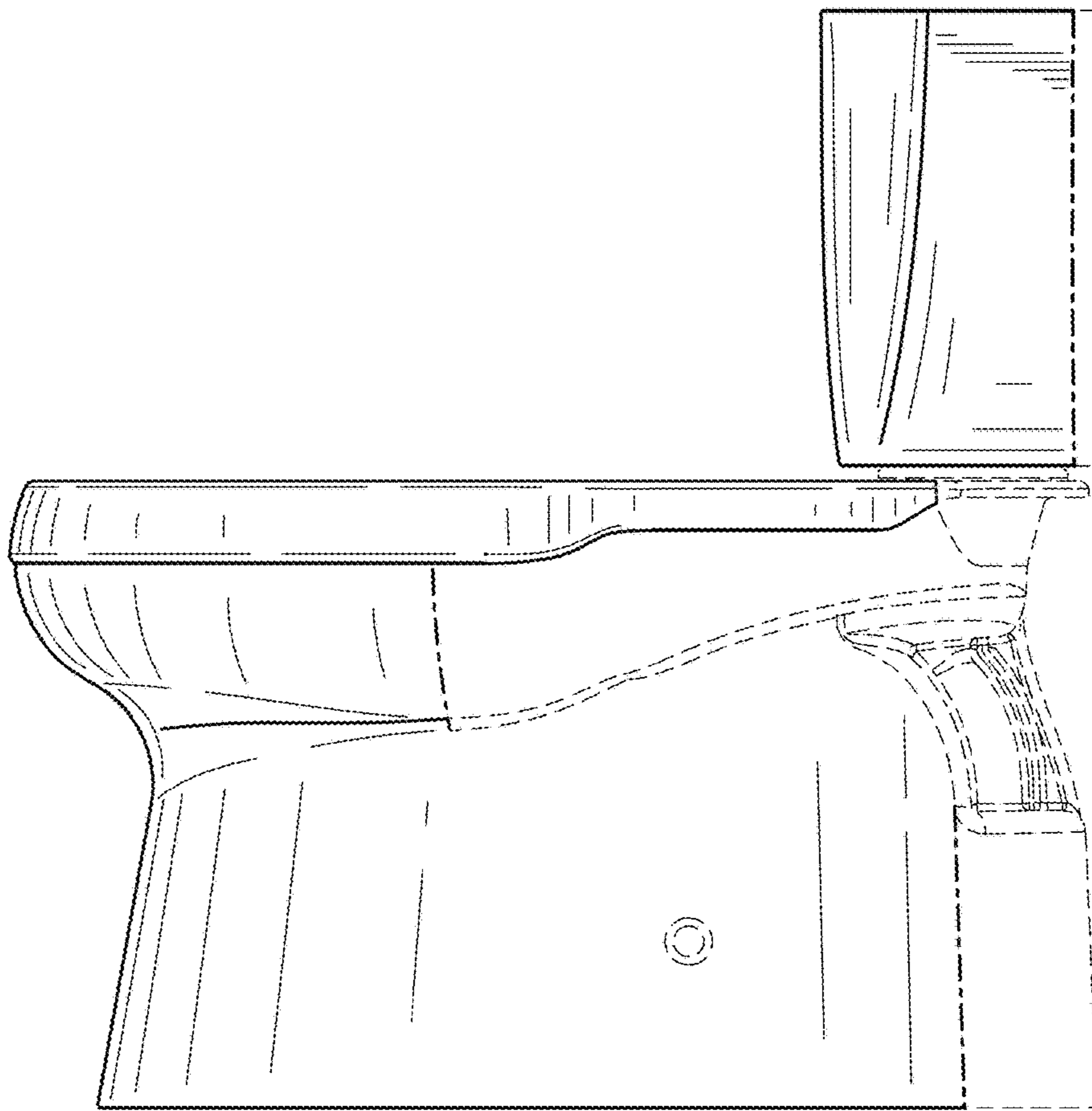


FIG. 10

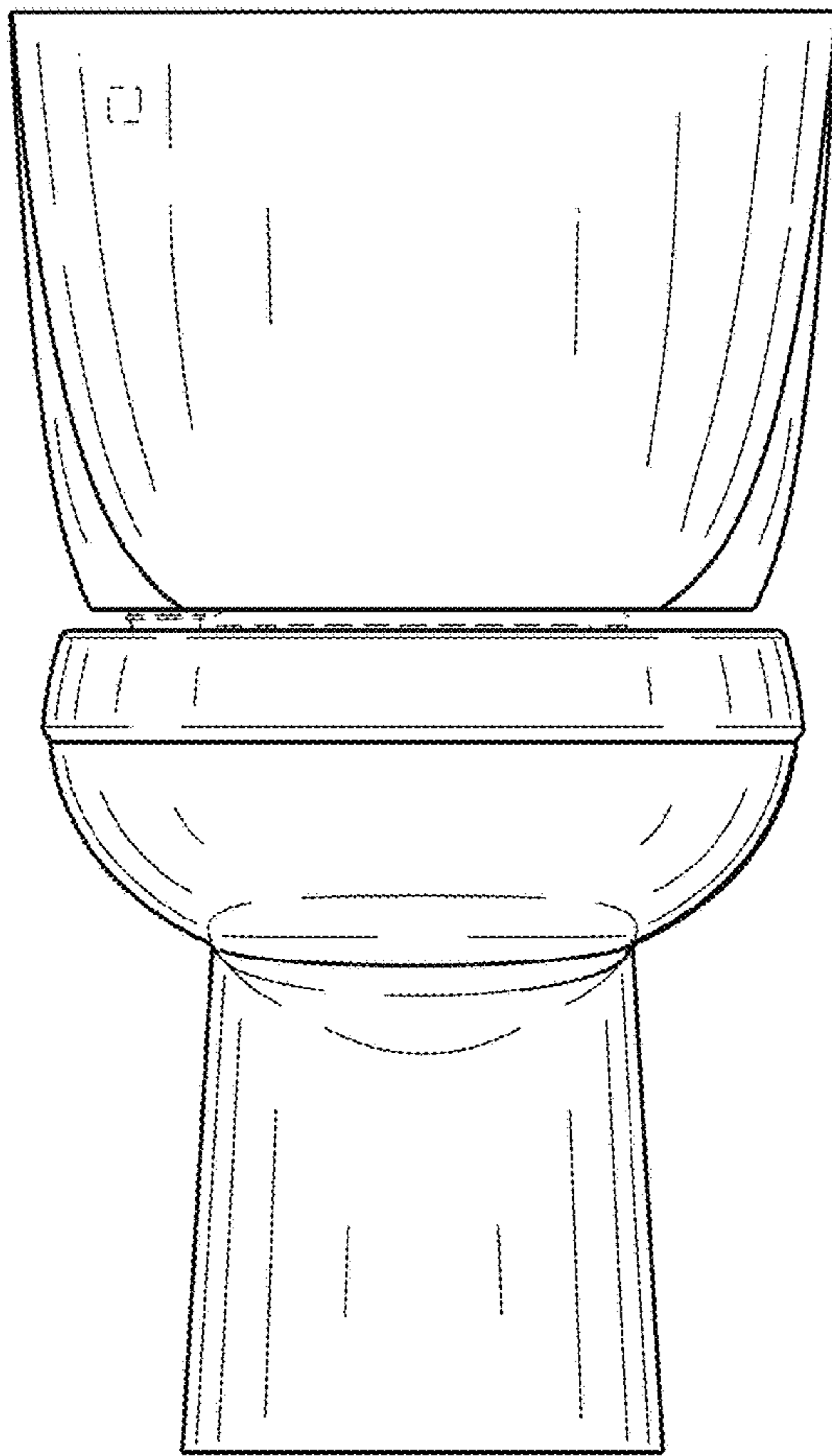


FIG. 11

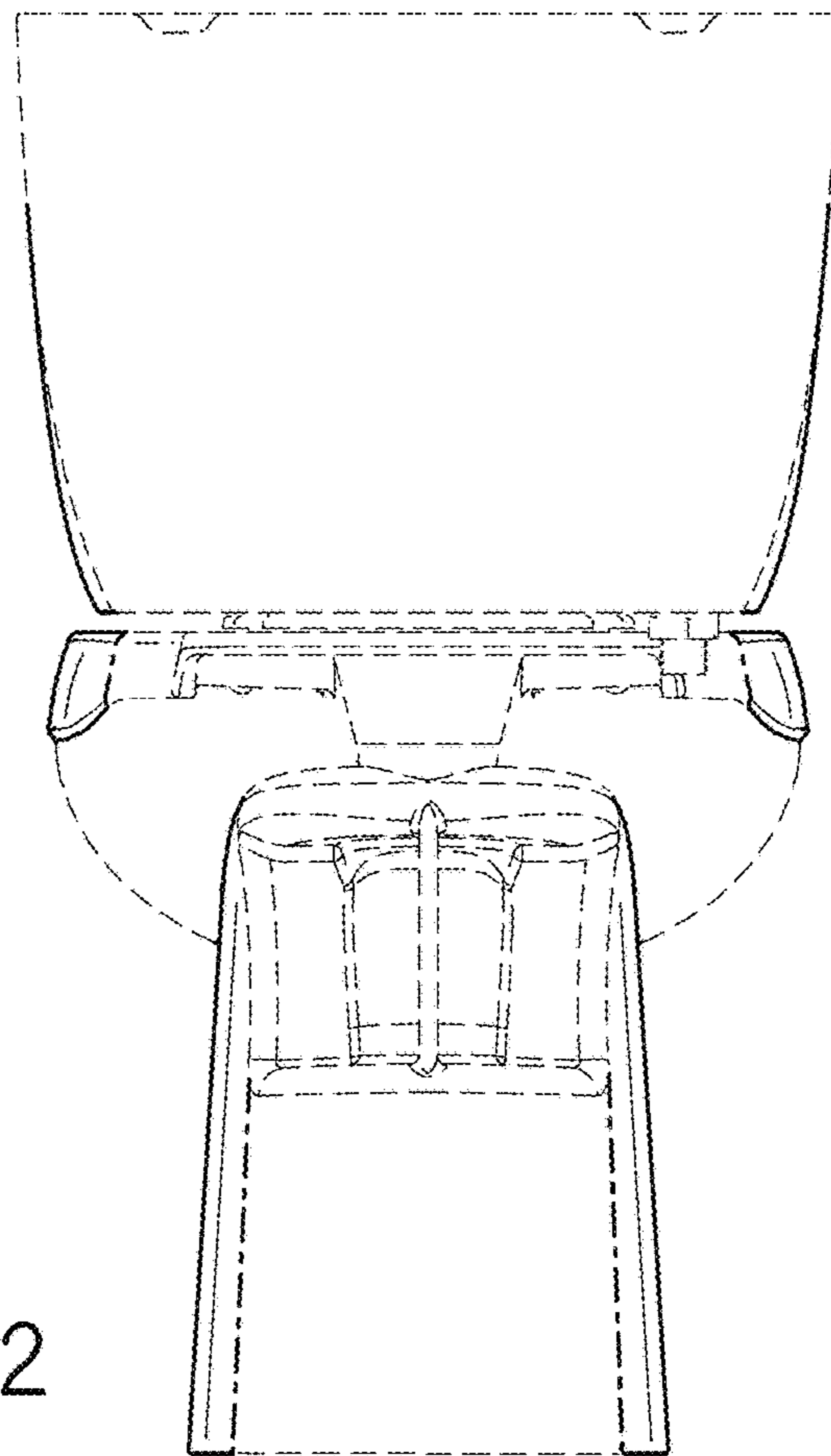


FIG. 12

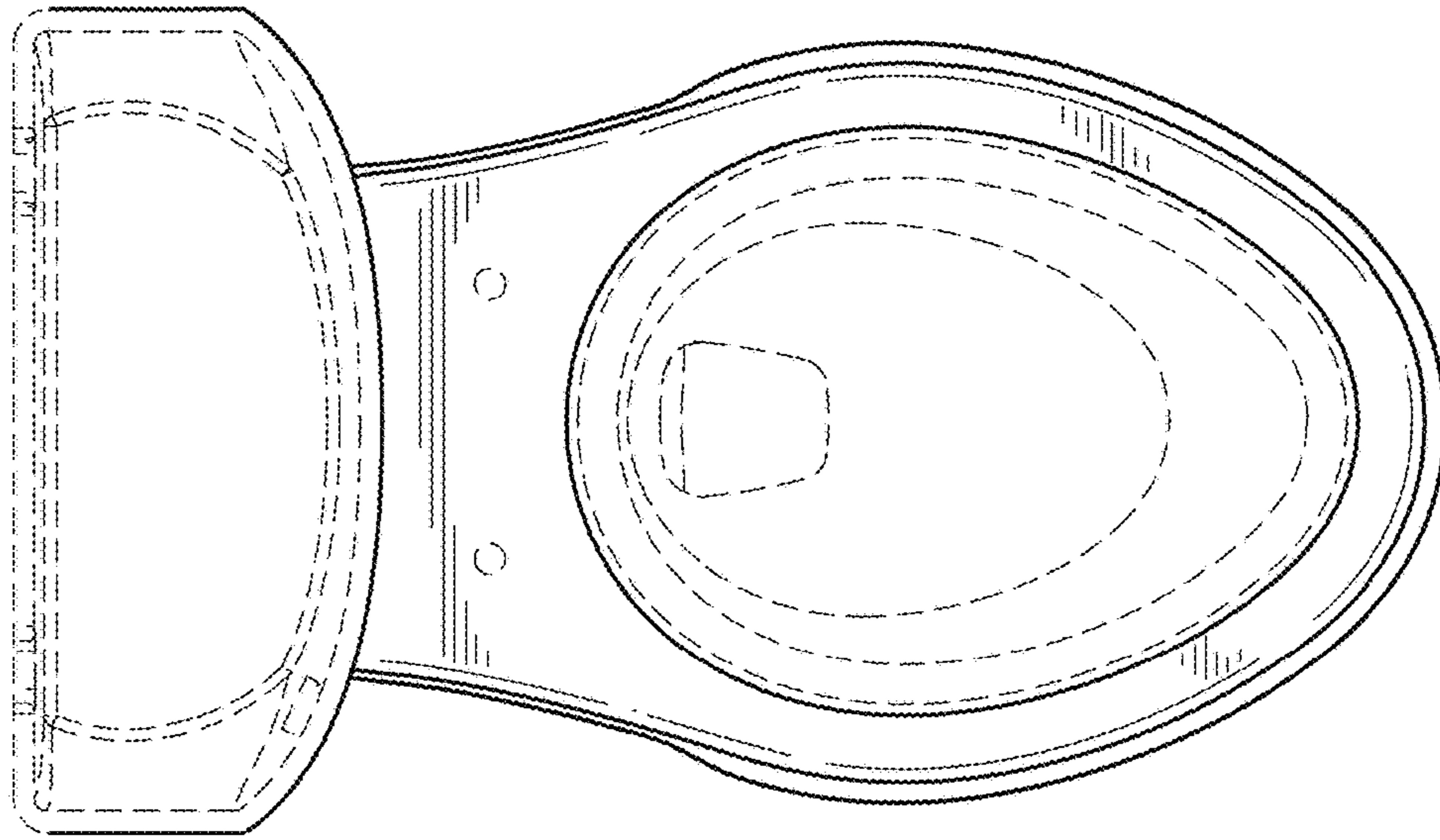


FIG. 13

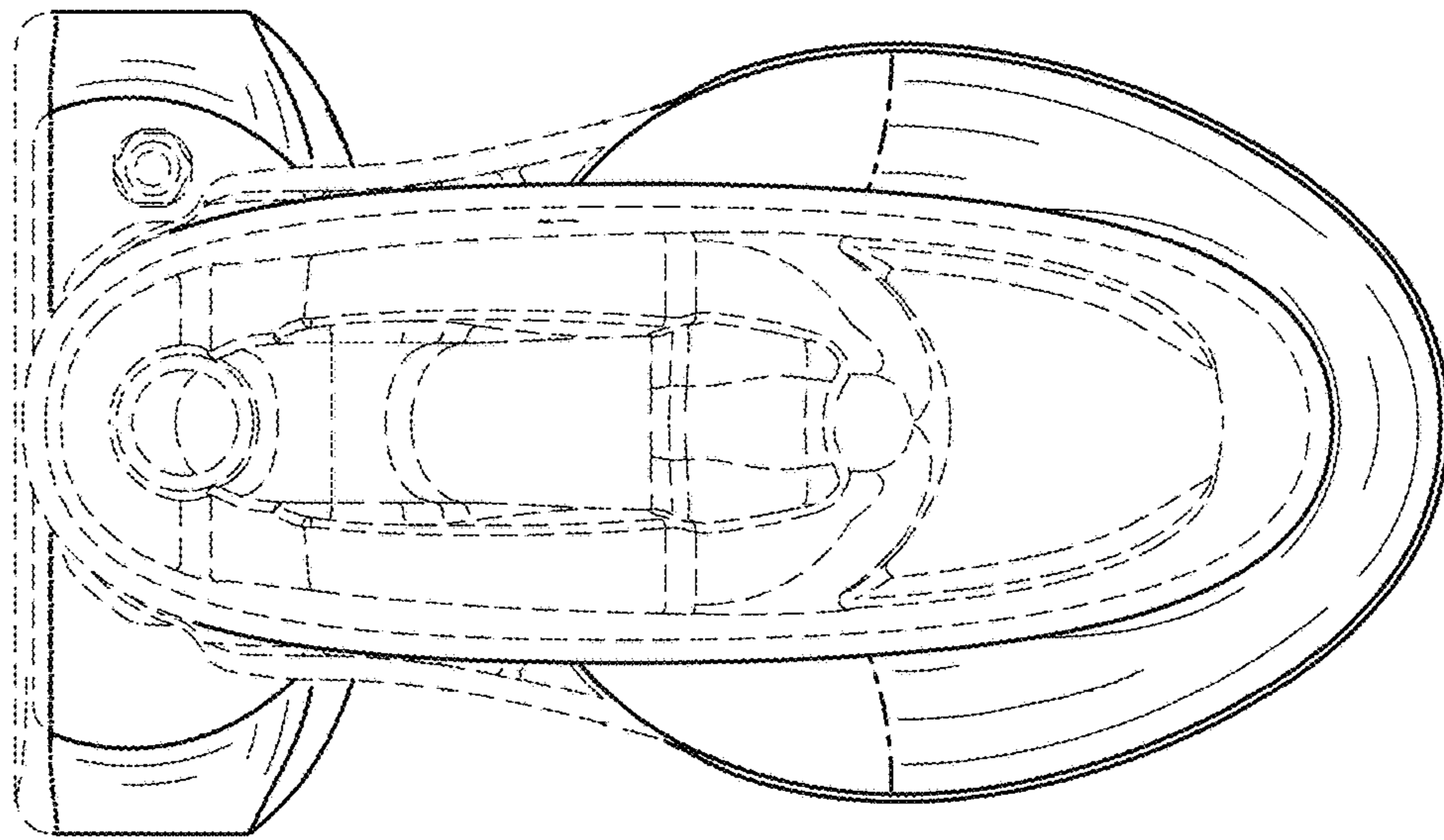


FIG. 14