



US00D806840S

(12) **United States Design Patent** (10) **Patent No.:** **US D806,840 S**  
**Stevenson et al.** (45) **Date of Patent:** **\*\* Jan. 2, 2018**

(54) **LAVATORY**  
(71) Applicant: **Kohler Mira Limited**, Gloucestershire (GB)  
(72) Inventors: **Robert Karl Stevenson**, London (GB); **Alexander Muspratt-Williams**, London (GB)  
(73) Assignee: **KOHLER MIRA LIMITED** (GB)  
(\*\*) Term: **15 Years**  
(21) Appl. No.: **29/566,254**  
(22) Filed: **May 27, 2016**  
(51) **LOC (11) Cl.** ..... **23-01**  
(52) **U.S. Cl.**  
USPC ..... **D23/293.1**  
(58) **Field of Classification Search**  
USPC ..... D23/284-293.1, 294, 303, 308  
CPC ..... A47K 1/04; A47B 77/06; A47J 47/20  
See application file for complete search history.

D588,239 S 3/2009 Slothower  
D601,678 S \* 10/2009 Soulier ..... D23/293.1  
D667,940 S 9/2012 Licini  
D687,529 S \* 8/2013 Stauffer ..... D23/293.1  
D722,143 S \* 2/2015 Clarke ..... D23/293.1  
D748,229 S \* 1/2016 Yoshioka ..... D23/284  
D779,643 S \* 2/2017 Stauffer ..... D23/284

\* cited by examiner

*Primary Examiner* — Robert M Spear  
*Assistant Examiner* — John Voytek  
(74) *Attorney, Agent, or Firm* — Foley & Lardner LLP

(57) **CLAIM**

We claim the ornamental design for a lavatory, as shown and described.

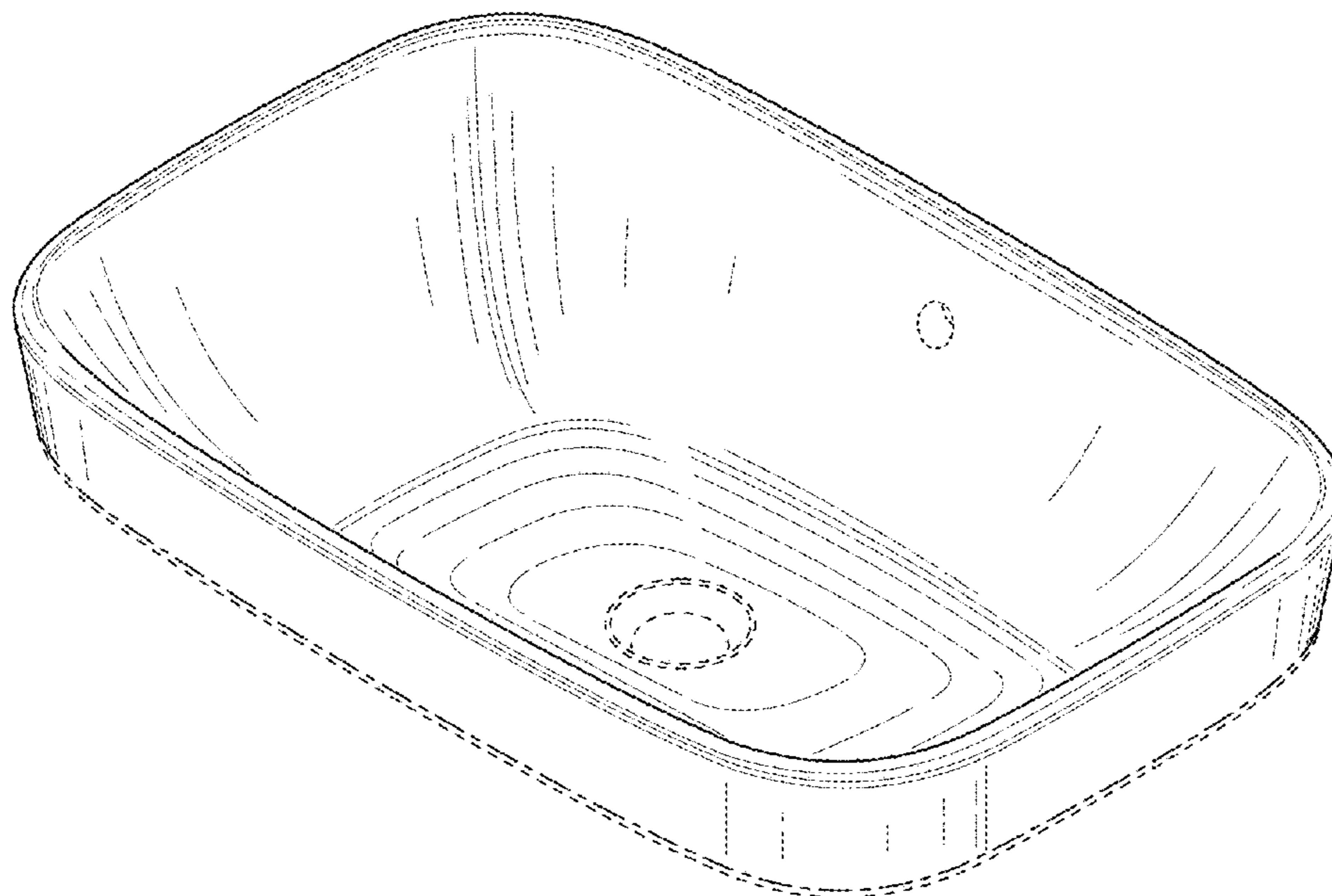
**DESCRIPTION**

FIG. 1 is a perspective view of an embodiment of the claimed design;  
FIG. 2 is a top view of the embodiment of FIG. 1;  
FIG. 3 is a bottom view of the embodiment of FIG. 1;  
FIG. 4 is a front view of the embodiment of FIG. 1;  
FIG. 5 is a rear view of the embodiment of FIG. 1;  
FIG. 6 is a side view of the embodiment of FIG. 1;  
FIG. 7 is another side view of the embodiment of FIG. 1;  
FIG. 8 is a cross-sectional view taken along line 8-8 in FIG. 2; and,  
FIG. 9 is a cross-sectional view of the claimed design of FIG. 2.

The ornamental design which is claimed is shown in solid lines in the drawings. The broken lines in the drawings form no part of the claimed design. Broken lines formed by equal length dashes show unclaimed subject matter. Broken lines formed of unequal length dashes (i.e., dash-dot) define bounds of the claimed design.

**1 Claim, 7 Drawing Sheets**

(56) **References Cited**  
U.S. PATENT DOCUMENTS  
D36,995 S \* 6/1904 Gregg ..... D23/293.1  
D274,642 S 7/1984 Doman  
D292,732 S 11/1987 Gates et al.  
D293,930 S 1/1988 Reid  
D295,669 S 5/1988 Kolada  
D328,338 S 7/1992 Ragonot  
D434,124 S 11/2000 McKeone  
D499,797 S 12/2004 Bates  
D509,574 S 9/2005 Sutopo  
D509,887 S 9/2005 Sutopo  
D538,410 S 3/2007 Chensesseau  
D560,777 S \* 1/2008 Hanna ..... D23/293.1



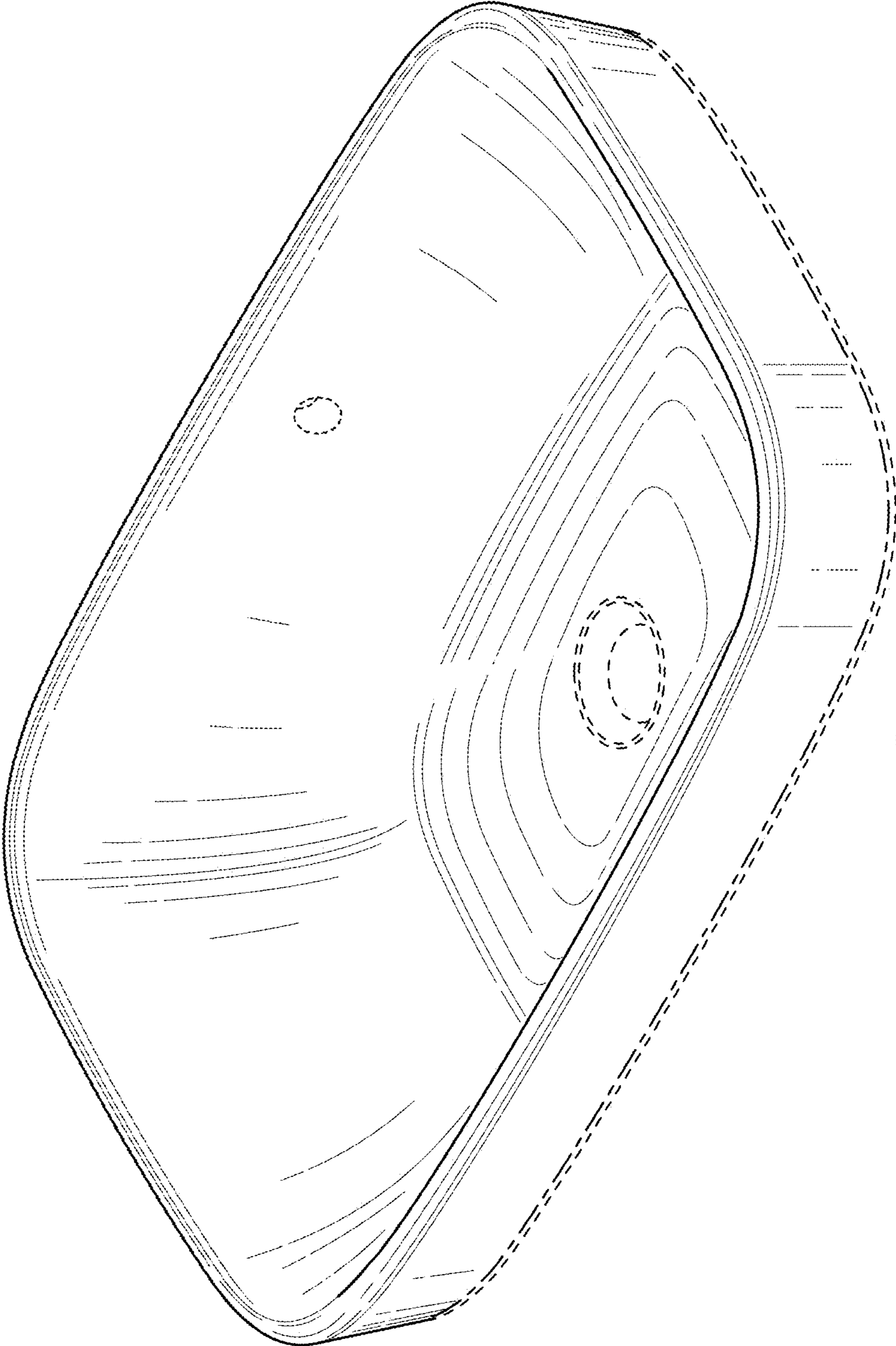
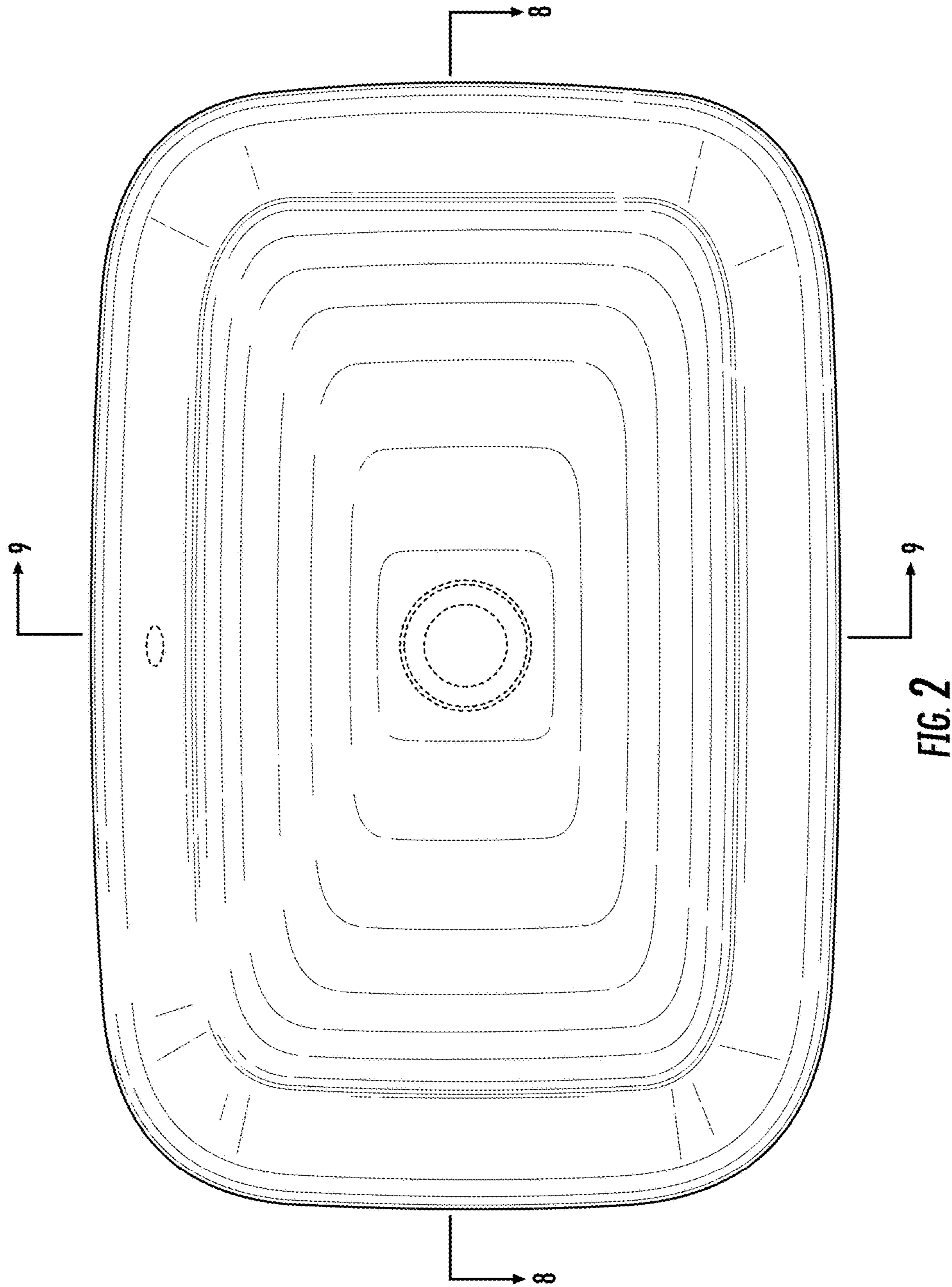


FIG. 1



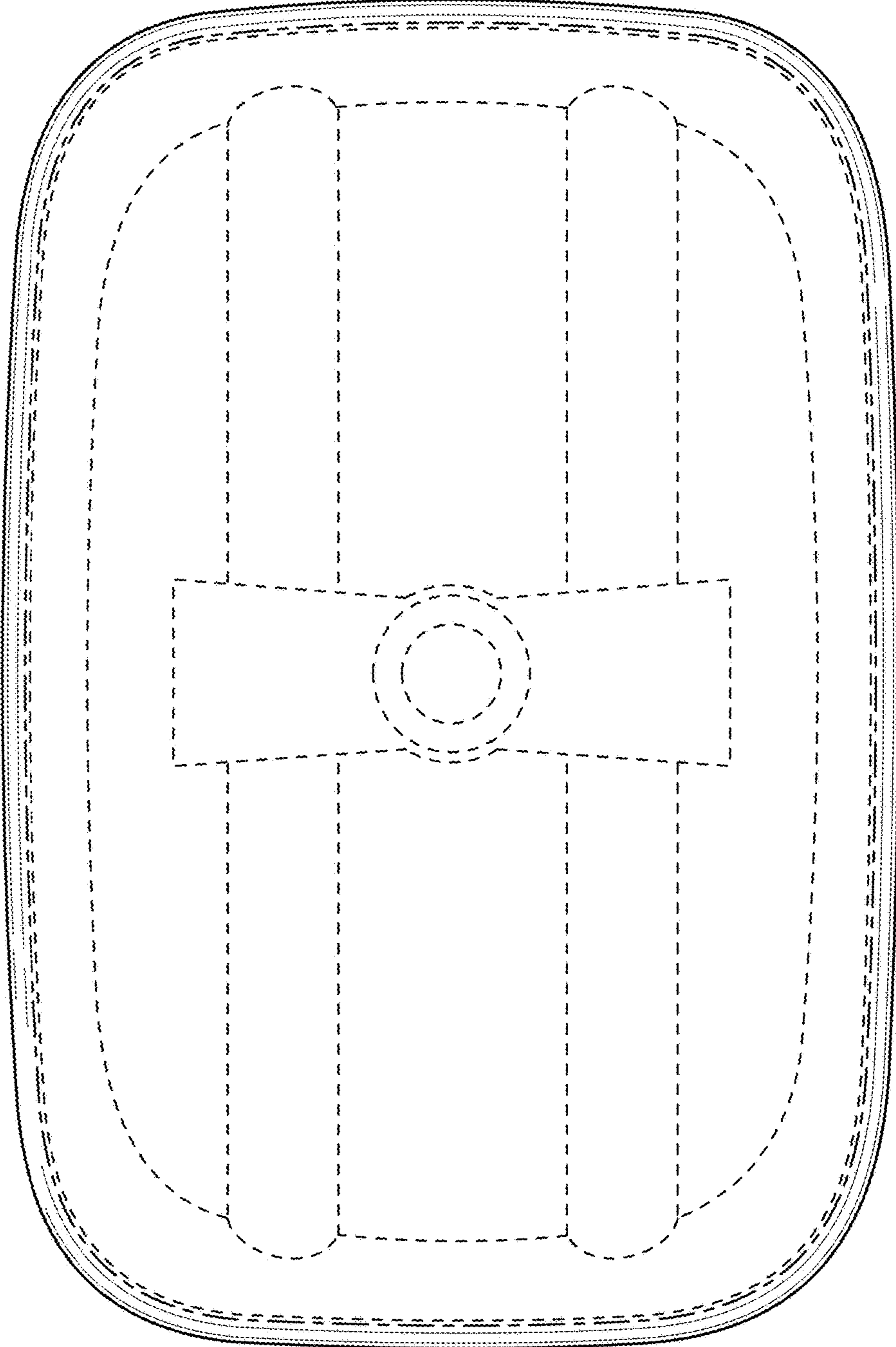


FIG. 3

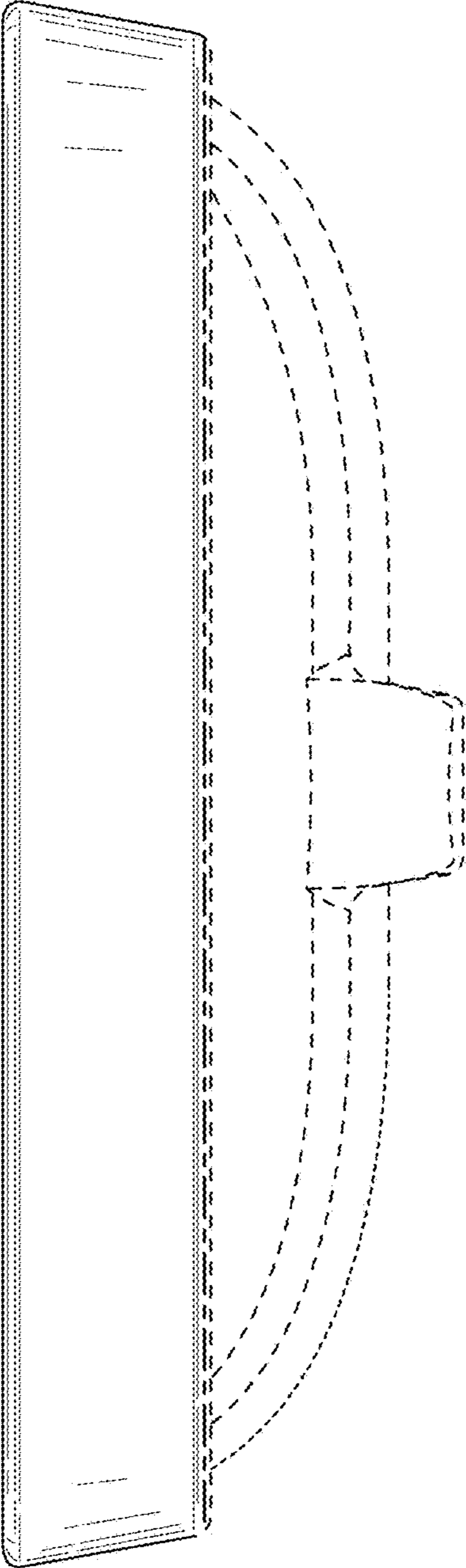


FIG. 4

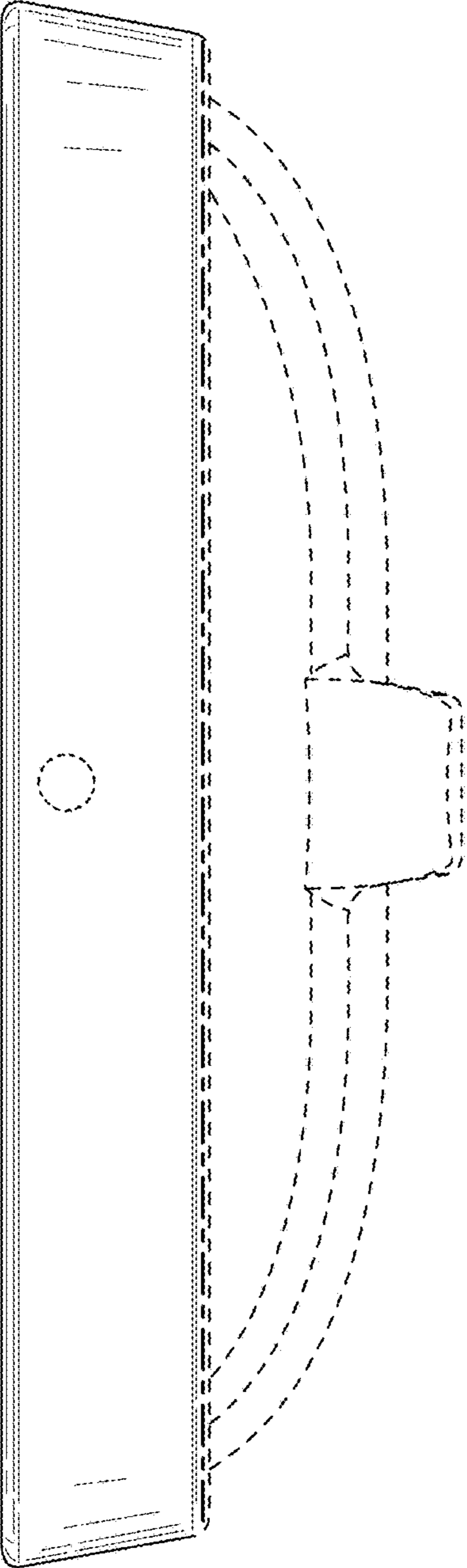


FIG. 5

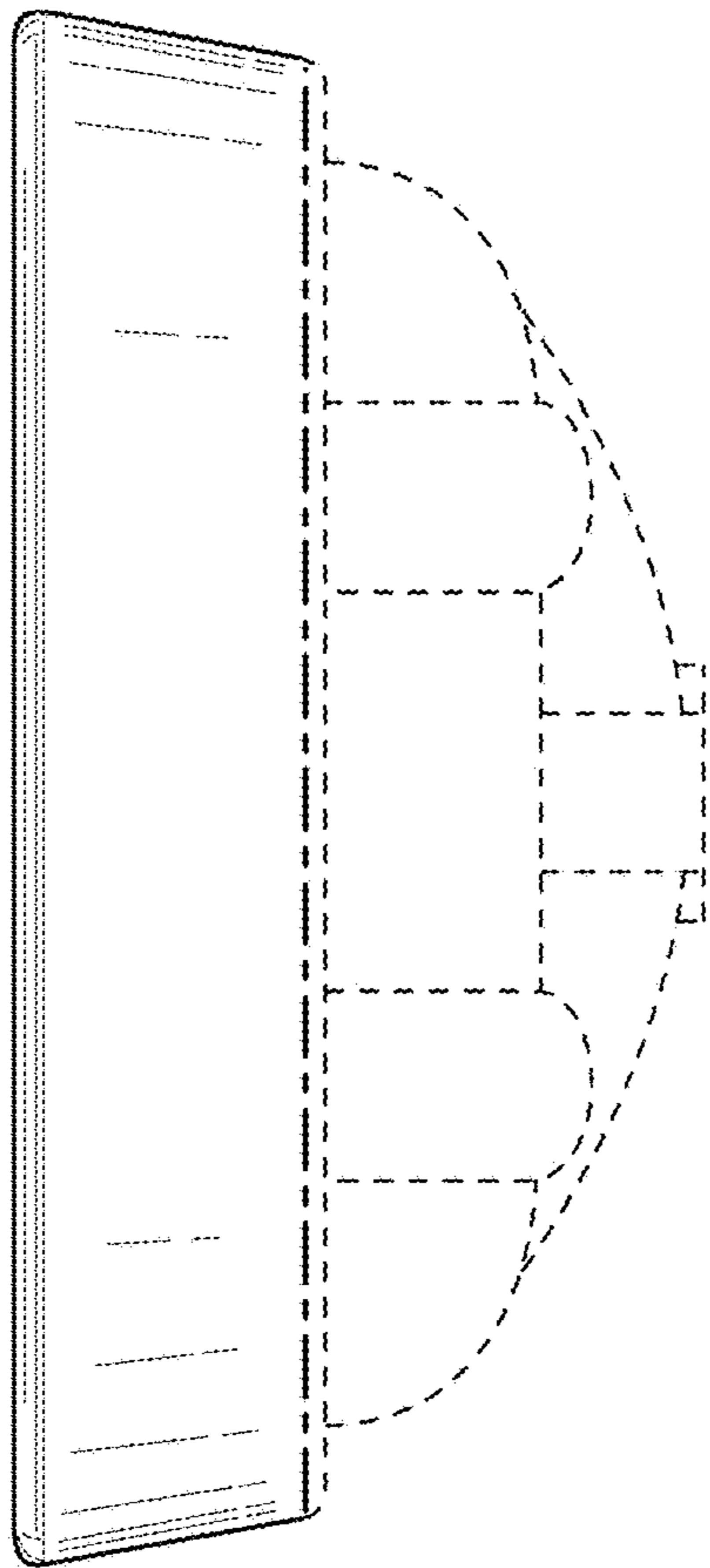


FIG. 6

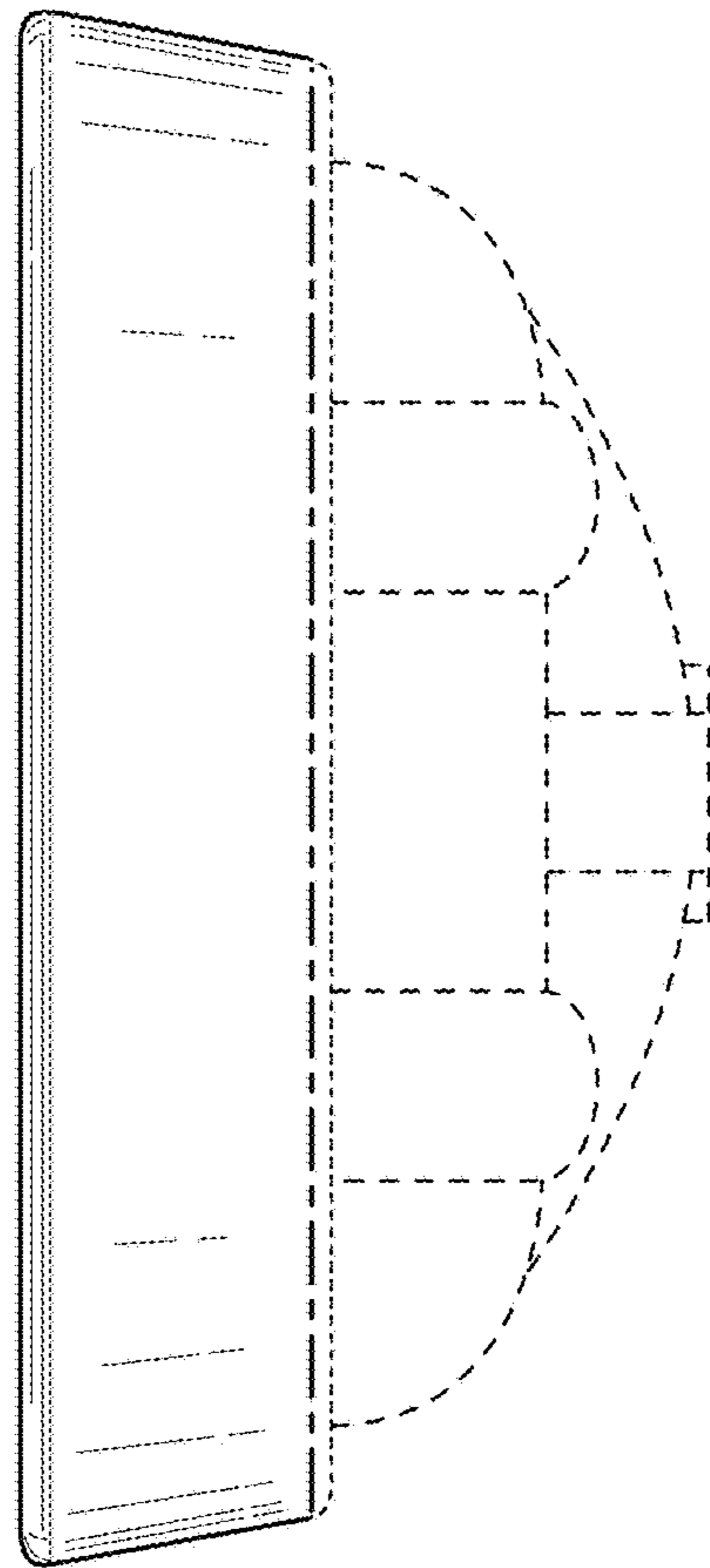


FIG. 7

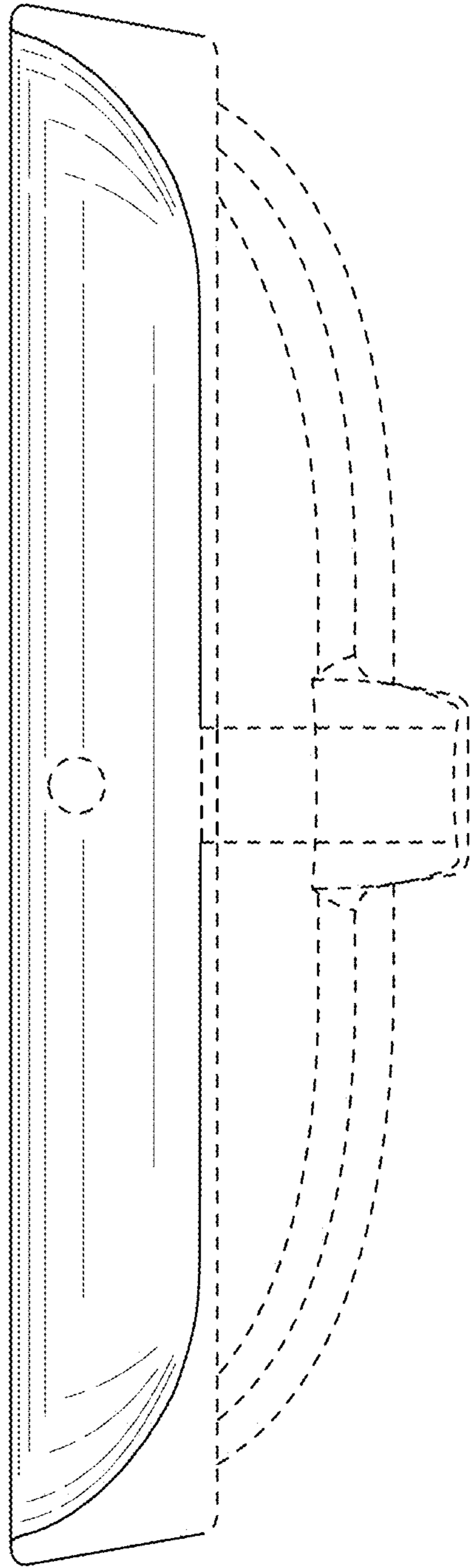


FIG. 8

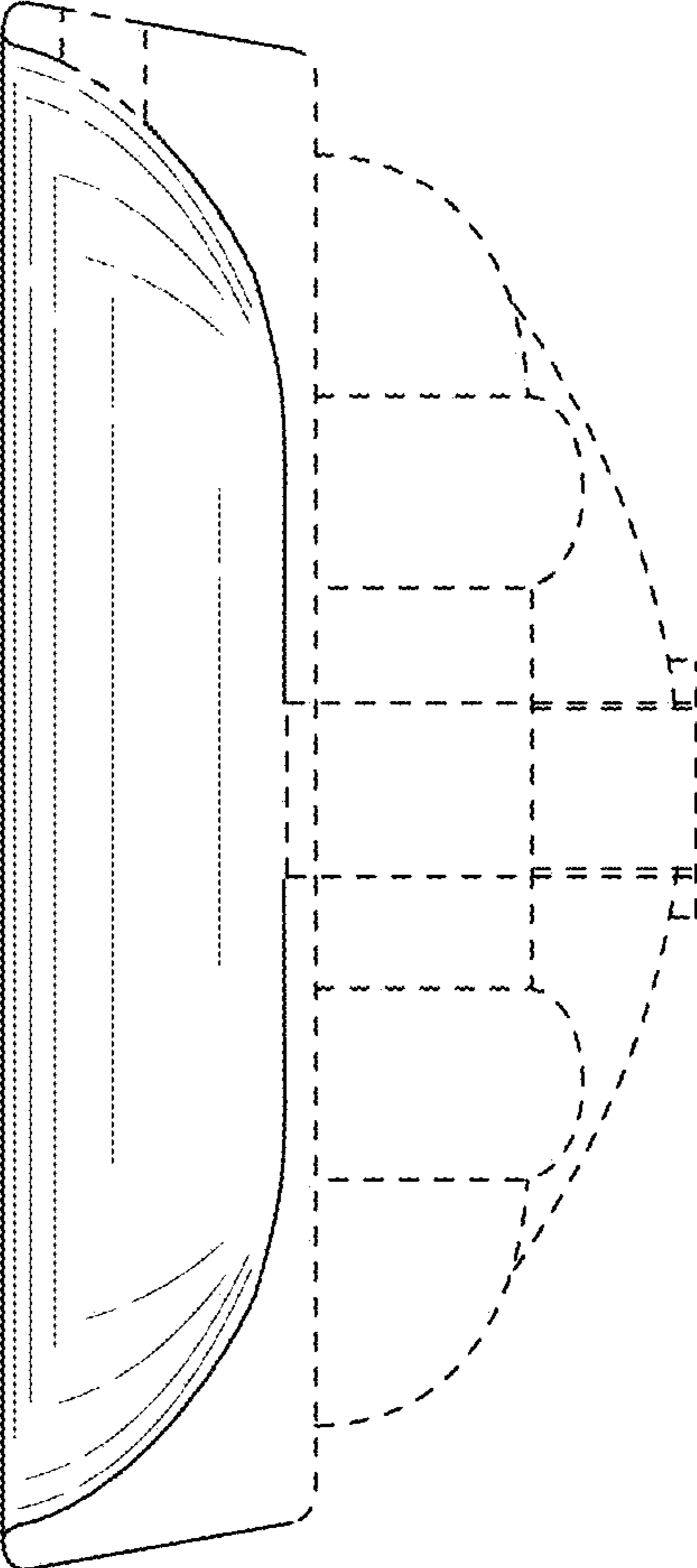


FIG. 9