



US00D806836S

(12) **United States Design Patent**  
**D'Amico et al.**

(10) **Patent No.:** **US D806,836 S**  
(45) **Date of Patent:** **\*\* Jan. 2, 2018**

(54) **URINAL SCREEN**

FOREIGN PATENT DOCUMENTS

(71) Applicant: **GPCP IP Holdings LLC**, Atlanta, GA (US)

AU 636863 B2 5/1993  
AU 2015100064 A4 2/2015

(Continued)

(72) Inventors: **Daniel M. D'Amico**, South Salem, NY (US); **Eric P. Peterson**, Mount Horeb, WI (US); **Todd Lappi**, Atlanta, GA (US); **David A. Hoadley**, Hortonville, WI (US)

OTHER PUBLICATIONS

Dustbane Catalogue, 3-D Shield, website, [http://www.dustbane.ca/product\\_sheet/en/3D\\_Shield-en-sm.pdf](http://www.dustbane.ca/product_sheet/en/3D_Shield-en-sm.pdf), Copyright 2016, Found Oct. 3, 2016.

(Continued)

(73) Assignee: **GPCP IP Holdings LLC**, Atlanta, GA (US)

*Primary Examiner* — Eric L Goodman

*Assistant Examiner* — Amy C Wierenga

(74) *Attorney, Agent, or Firm* — Alston & Bird LLP

(\*\*) Term: **15 Years**

(21) Appl. No.: **29/578,135**

(57) **CLAIM**

We claim the ornamental design for a urinal screen, as shown and described.

(22) Filed: **Sep. 19, 2016**

(51) **LOC (11) Cl.** ..... **23-01**

(52) **U.S. Cl.**

USPC ..... **D23/261**

(58) **Field of Classification Search**

USPC ..... D23/209–210, 259–262, 268–269, 233, D23/263, 266, 309–310, 312; 4/286–295, 4/681, 309; 210/232; 251/215–216; 137/247, 247.41, 247.51; 285/133.3–133.6, 133.11, 133.21, 369, 285/372–373, 417; 424/76.7; D4/136  
CPC ... E03C 1/26; E03C 1/262; E03C 1/28; E03C 1/298; E03C 1/23; E03C 1/24; E03C 1/264; F16L 11/00; F16L 37/252; F16L 41/007;

(Continued)

**DESCRIPTION**

FIG. 1 is a perspective view of a urinal screen, showing our new design;  
FIG. 2 is a front elevation view thereof;  
FIG. 3 is a rear elevation view thereof;  
FIG. 4 is a right side elevation view thereof;  
FIG. 5 is a left side elevation view thereof;  
FIG. 6 is a top plan view thereof;  
FIG. 7 is a bottom plan view thereof;  
FIG. 8 is a bottom perspective view thereof;  
FIG. 9 is an enlarged top plan view of a partial portion of FIG. 6; and,  
FIG. 10 is an enlarged perspective view of a partial portion of FIG. 1.

The broken lines shown in the drawings are for the purpose of illustrating environment and portions of the urinal screen that form no part of the claimed design. The dash-dot-dash broken lines indicate boundaries for enlarged detailed portion views and form no part of the claim.

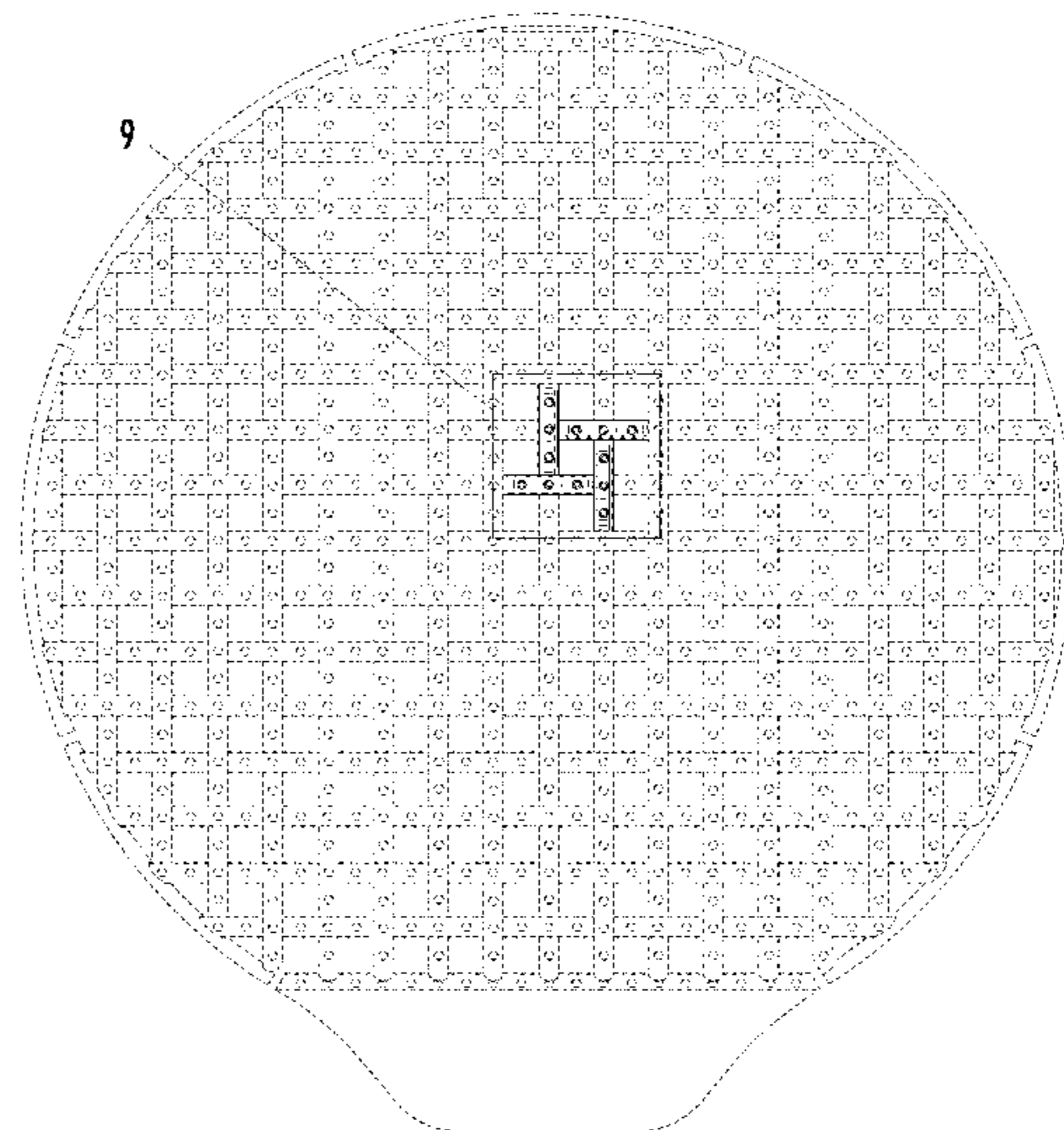
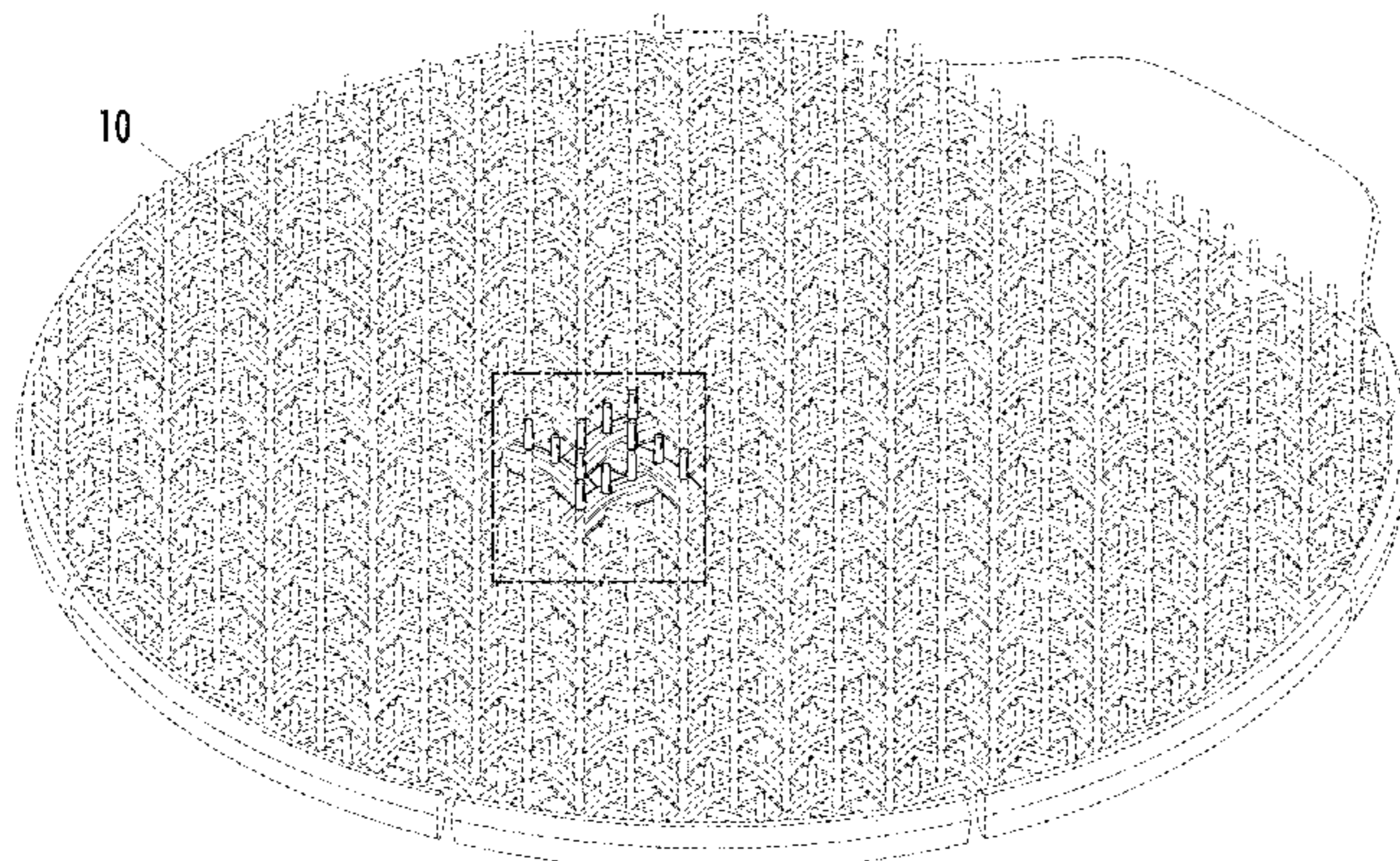
(56) **References Cited**

U.S. PATENT DOCUMENTS

571,275 A 11/1896 Maxwell et al.  
647,895 A 4/1900 Burson

(Continued)

**1 Claim, 7 Drawing Sheets**





(58) **Field of Classification Search**  
 CPC ..... E03F 5/04; E03D 13/00; E03D 13/005;  
 A01N 25/34  
 See application file for complete search history.

(56) **References Cited**

U.S. PATENT DOCUMENTS

675,947 A \* 6/1901 Hach ..... E03C 1/264  
 4/292  
 683,419 A 9/1901 Burson  
 927,026 A \* 7/1909 Clayton ..... E03D 13/00  
 210/499  
 1,186,345 A 6/1916 Sleight  
 1,430,598 A 10/1922 Sleight  
 2,046,214 A 6/1936 Selig  
 2,211,970 A 8/1940 Fischer  
 2,718,013 A 9/1955 Rajnicek  
 2,813,631 A 11/1957 Odman  
 2,974,324 A 3/1961 Lundelius  
 3,170,169 A 2/1965 Clark  
 3,248,740 A \* 5/1966 Wisnom ..... E03D 13/00  
 4/222.1  
 3,597,772 A \* 8/1971 Leavitt ..... E03D 9/032  
 4/222  
 3,760,429 A 9/1973 Brownstein  
 3,994,439 A 11/1976 Van Breen et al.  
 4,044,405 A 8/1977 Kreiss  
 4,095,031 A 6/1978 Engle  
 4,135,261 A 1/1979 Uhrman  
 D253,145 S 10/1979 Adam  
 D253,146 S 10/1979 Adam  
 D255,744 S \* 7/1980 Dekko ..... D25/156  
 4,215,443 A 8/1980 Babik  
 D258,181 S 2/1981 Adam  
 D258,472 S 3/1981 Adam  
 D259,225 S 5/1981 Scheer  
 4,552,692 A 11/1985 Gillespie  
 4,574,400 A 3/1986 Annowsky  
 4,574,403 A 3/1986 Dintemann et al.  
 4,671,976 A 6/1987 Vidal  
 4,761,437 A 8/1988 Christie  
 5,019,346 A 5/1991 Richter et al.  
 D329,893 S 9/1992 Luedtke et al.  
 5,165,119 A 11/1992 Yamato  
 D332,302 S 1/1993 Brown  
 5,312,624 A 5/1994 Richter et al.  
 5,313,672 A 5/1994 Luedtke et al.  
 5,336,424 A 8/1994 Van Vlahakis et al.  
 5,365,616 A 11/1994 Morad  
 D353,445 S 12/1994 Morad  
 5,379,917 A 1/1995 Brown et al.  
 D355,807 S \* 2/1995 O'Rourke ..... D6/582  
 5,398,347 A 3/1995 Luedtke et al.  
 5,489,415 A 2/1996 Van Vlahakis et al.  
 D370,938 S 6/1996 Roach  
 5,567,389 A 10/1996 Birbara et al.  
 5,595,324 A 1/1997 Brown et al.  
 5,604,937 A 2/1997 Davenport  
 D393,896 S 4/1998 Wagner et al.  
 5,774,905 A 7/1998 Wager et al.  
 5,799,826 A 9/1998 Brown et al.  
 5,809,590 A 9/1998 Williams et al.  
 5,813,058 A 9/1998 Quigley et al.  
 D410,281 S 5/1999 Walker  
 6,055,681 A 5/2000 Lyons  
 6,062,425 A 5/2000 Brown et al.  
 D427,295 S 6/2000 Wagner  
 D428,120 S 7/2000 Zaldivar  
 6,081,937 A 7/2000 Whitacre  
 6,197,321 B1 3/2001 Richter et al.  
 6,269,490 B1 8/2001 Suski et al.  
 D456,492 S 4/2002 Lourens  
 D464,122 S 10/2002 Mangan  
 D479,313 S 9/2003 Navarra  
 6,631,852 B1 10/2003 O'Leary  
 6,640,350 B1 11/2003 Deutsch

D486,341 S \* 2/2004 Ruhl ..... D6/583  
 6,698,035 B1 3/2004 Grueser  
 6,729,506 B2 5/2004 Brown et al.  
 6,769,631 B2 8/2004 Brown  
 6,823,533 B2 11/2004 Casari  
 6,920,648 B1 7/2005 Suski et al.  
 D520,610 S 5/2006 Wrate  
 7,100,801 B2 9/2006 Brown et al.  
 D530,215 S 10/2006 Brown et al.  
 7,202,201 B1 4/2007 Williams  
 D552,308 S 10/2007 Farr  
 D564,550 S 3/2008 Pinchot  
 D564,551 S 3/2008 Pinchot  
 D565,067 S 3/2008 Pinchot  
 D565,610 S 4/2008 Pinchot  
 D565,611 S 4/2008 Pinchot  
 D565,612 S 4/2008 Pinchot  
 D565,613 S 4/2008 Pinchot  
 D565,614 S 4/2008 Pinchot  
 D565,615 S 4/2008 Pinchot  
 D566,145 S 4/2008 Pinchot  
 D568,349 S 5/2008 Pinchot  
 D571,898 S 6/2008 Gilligan  
 7,398,565 B1 7/2008 Chou  
 7,410,513 B2 8/2008 Requejo et al.  
 D577,416 S 9/2008 Buttgen  
 7,461,413 B2 12/2008 Lewis et al.  
 D584,863 S \* 1/2009 Garry ..... D30/158  
 7,484,675 B2 2/2009 Brown  
 7,618,532 B2 11/2009 Worth  
 D612,914 S 3/2010 Morad  
 7,735,694 B2 6/2010 Brown et al.  
 D630,714 S 1/2011 Dukes  
 D631,531 S 1/2011 Morad  
 7,887,697 B2 2/2011 Worth  
 7,921,479 B2 \* 4/2011 Hunter ..... C11D 3/48  
 4/222  
 D639,410 S 6/2011 Ramirez  
 8,007,707 B1 8/2011 Brown et al.  
 8,043,606 B2 10/2011 MacBeath et al.  
 D655,793 S 3/2012 Emr  
 8,127,969 B2 3/2012 Brown et al.  
 D662,573 S 6/2012 Rogalski  
 D664,571 S 7/2012 Beyer et al.  
 D678,482 S 3/2013 Williams  
 D678,483 S \* 3/2013 Barker ..... D23/261  
 D686,255 S 7/2013 Fu et al.  
 D687,471 S 8/2013 Fu et al.  
 8,856,977 B2 10/2014 Ramirez  
 D718,844 S 12/2014 Johansen  
 D718,845 S 12/2014 Johansen  
 8,916,140 B2 12/2014 MacBeath et al.  
 D724,702 S 3/2015 D'Amico  
 8,974,736 B2 3/2015 Brown et al.  
 9,027,172 B2 5/2015 Fima  
 D746,955 S 1/2016 Corder  
 9,243,394 B2 1/2016 Brown et al.  
 9,303,396 B1 \* 4/2016 Pernici ..... E03D 13/005  
 9,309,658 B1 4/2016 Pernici et al.  
 D759,792 S \* 6/2016 Flury ..... D23/261  
 D778,411 S \* 2/2017 Brown ..... D23/261  
 D778,412 S \* 2/2017 Brown ..... D23/261  
 2004/0034909 A1 2/2004 Grueser  
 2006/0260032 A1 11/2006 Smartt  
 2007/0023539 A1 2/2007 Brown et al.  
 2007/0044221 A1 3/2007 Wise  
 2007/0186337 A1 8/2007 Emr  
 2007/0266486 A1 \* 11/2007 Ramirez ..... E03D 13/00  
 4/309  
 2008/0098505 A1 5/2008 Casari  
 2008/0292855 A1 11/2008 Manderfield et al.  
 2010/0183694 A1 7/2010 Burke et al.  
 2010/0199412 A1 8/2010 McAlpine  
 2010/0257664 A1 10/2010 Kener  
 2011/0070279 A1 \* 3/2011 Chang ..... A01N 25/34  
 424/411  
 2011/0289665 A1 12/2011 Lees  
 2011/0296597 A1 12/2011 Brown et al.  
 2012/0137419 A1 6/2012 Hofeling et al.



(56)

References Cited

U.S. PATENT DOCUMENTS

2013/0031708	A1	2/2013	Sensel	
2013/0067651	A1	3/2013	Brown et al.	
2014/0007336	A1	1/2014	Mills et al.	
2014/0068848	A1	3/2014	Neo	
2014/0075663	A1*	3/2014	Irwin	E03D 13/005 4/292
2014/0076358	A1	3/2014	Irwin et al.	
2014/0076983	A1	3/2014	Irwin et al.	
2014/0076984	A1	3/2014	Irwin et al.	
2014/0076991	A1	3/2014	Irwin et al.	
2014/0157501	A1	6/2014	D'Amico	
2014/0165277	A1	6/2014	Schmed et al.	
2014/0250577	A1	9/2014	Nakamura et al.	
2014/0259344	A1	9/2014	Muderlak et al.	
2015/0013780	A1	1/2015	Watkins	
2015/0047114	A1	2/2015	Ramirez	
2015/0284940	A1*	10/2015	Kobal	E03D 13/005 4/300.3
2016/0102451	A1*	4/2016	Brown	E03D 13/005 4/256.1
2016/0122992	A1*	5/2016	Brown	E03D 13/005 4/256.1
2016/0138256	A1*	5/2016	Abbas	E03D 9/007 4/300.3
2016/0215490	A1*	7/2016	Keune	E03D 13/005
2017/0067243	A1*	3/2017	Valencia Garcia	E03D 9/00
2017/0087266	A1	3/2017	Graham et al.	
2017/0096808	A1*	4/2017	D'Amico	E03D 13/005

FOREIGN PATENT DOCUMENTS

CA	1193199	A1	9/1985
DE	19832716	A1	1/2000
DE	102013108149	A1	2/2015
GB	2473055	A	3/2011
WO	WO 1994/020407	A1	9/1994
WO	WO 1997/011234	A1	3/1997
WO	WO 2004/055768	A1	7/2004
WO	WO 2008/089497	A1	7/2008
WO	WO 2010/091862	A1	8/2010
WO	WO 2014/043725	A1	3/2014
WO	WO 2014/200400	A1	12/2014
WO	WO 2015/088303	A1	6/2015
ZA	200105073	A	1/2002

OTHER PUBLICATIONS

Big D Industries, Inc., "The Pearl 3D (brochure)", 1 page, retrieved from <<http://www.bigdind.com/product.aspx?id=BigD118>>, on Jan. 26, 2016.

Ekcos, "Ekcos 30-Day Anti-Splash Protection", Copyright 2015, retrieved from <[http://ekcos.com/restrooms\\_antisplash.html](http://ekcos.com/restrooms_antisplash.html)> on Mar. 3, 2016, 11 pages.

Ekcos, "ekcoscreen", Nov. 16, 2010 to Jan. 11, 2016, Internet Archive <<http://web.archive.org/web/20101116091823/http://www.ekcos.com/>>, 1 page.

Fresh Products, "Dome Urinal Screen (formerly known as RemindAir)", 2 pages, retrieved from <<http://freshproducts.com/dome-urinal-screen.html>>, on Jan. 26, 2016.

Fresh Products, "Eco Bowl Clip 2.0", Mar. 27, 2014 to Jan. 16, 2016, Internet Archive <<http://web.archive.org/web/20160116002414/http://freshproducts.com/eco-bowl-clip.html>>, 2 pages.

Fresh Products, "Eco-Air", 2016 Catalog, p. 7, retrieved from <[http://freshproducts.com/media/wysiwyg/Literature/Fresh\\_Products\\_2016\\_Catalog\\_102915.pdf](http://freshproducts.com/media/wysiwyg/Literature/Fresh_Products_2016_Catalog_102915.pdf)> on Jan. 26, 2016.

Fresh Products, "Toilet and Urinal—Fresh Products, Keeping Your World Smelling Fresh", retrieved from <<http://freshproducts.com/our-products/toilet-urinal>>, on Oct. 6, 2015, 2 pages.

Fresh Products, "Wave 2.0", Apr. 6, 2014 to Jan. 3, 2016, Internet Archive <[http://web.archive.org/web/\\*/http://freshproducts.com/wave-2-0.html](http://web.archive.org/web/*/http://freshproducts.com/wave-2-0.html)>, 4 pages.

Fresh Products, "Wave 3D", May 1, 2015 to Jan. 16, 2016, Internet Archive <<http://web.archive.org/web/20160116045345/http://freshproducts.com/wave-3d.html>>, 3 pages.

Fresh Products, "Wave Deodorant Screen", Aug. 29, 2014 to May 26, 2015, Internet Archive <[http://web.archive.org/web/\\*/http://freshproducts.com/wave-deodorant-screen.html](http://web.archive.org/web/*/http://freshproducts.com/wave-deodorant-screen.html)>, 4 pages.

HOSPECO, "Airworks Urinal Screens", 2 pages, retrieved from <<https://www.hospeco.com/Products/AirWorks%20Complementary%20Air%20Care/AirWorks%20Urinal%20Screens>>, on Jan. 26, 2016.

HOSPECO, "Health Gards® Urinal Screen With Non-Para Block", 6 pages, retrieved from <<https://www.hospeco.com/product/019>>, on Jan. 26, 2016.

Impact, "Z-Screen™ Deodorizing Urinal Screens", May 2, 2014 to May 4, 2015, Internet Archive <[http://web.archive.org/web/\\*/http://catalog.impact-products.com/viewitems/urinal-screens/z-screen%E2%84%A2-deodorizing-urinal-screens](http://web.archive.org/web/*/http://catalog.impact-products.com/viewitems/urinal-screens/z-screen%E2%84%A2-deodorizing-urinal-screens)>, 2 pages.

Rochester Midland Corporation, "Sanor Breeze Screen", Oct. 19, 2014 to Oct. 19, 2014, Internet Archive <[http://web.archive.org/web/20141019152331/http://www.rochestermidland.com/products/personal\\_care/get\\_specs.cfm?PRODUCT\\_CODE=25190487](http://web.archive.org/web/20141019152331/http://www.rochestermidland.com/products/personal_care/get_specs.cfm?PRODUCT_CODE=25190487)>, 1 page.

Design U.S. Appl. No. 29/541,529, filed Oct. 5, 2015; in re: D'Amico et al., entitled *Urinal Screen*.

Design U.S. Appl. No. 29/553,957, filed Feb. 5, 2016; in re: D'Amico et al., entitled *Urinal Screen*.

Vectair Systems Inc., "Vectair V-Screen (brochure)", 2015, 2 pages, retrieved from <<http://www.vectairsystems.com/products/washroom/v-screen-urinal-screens/>>, on Jan. 26, 2016.

Office Action for U.S. Appl. No. 29/578,140 dated Jul. 3, 2017, 28 pages.

\* cited by examiner



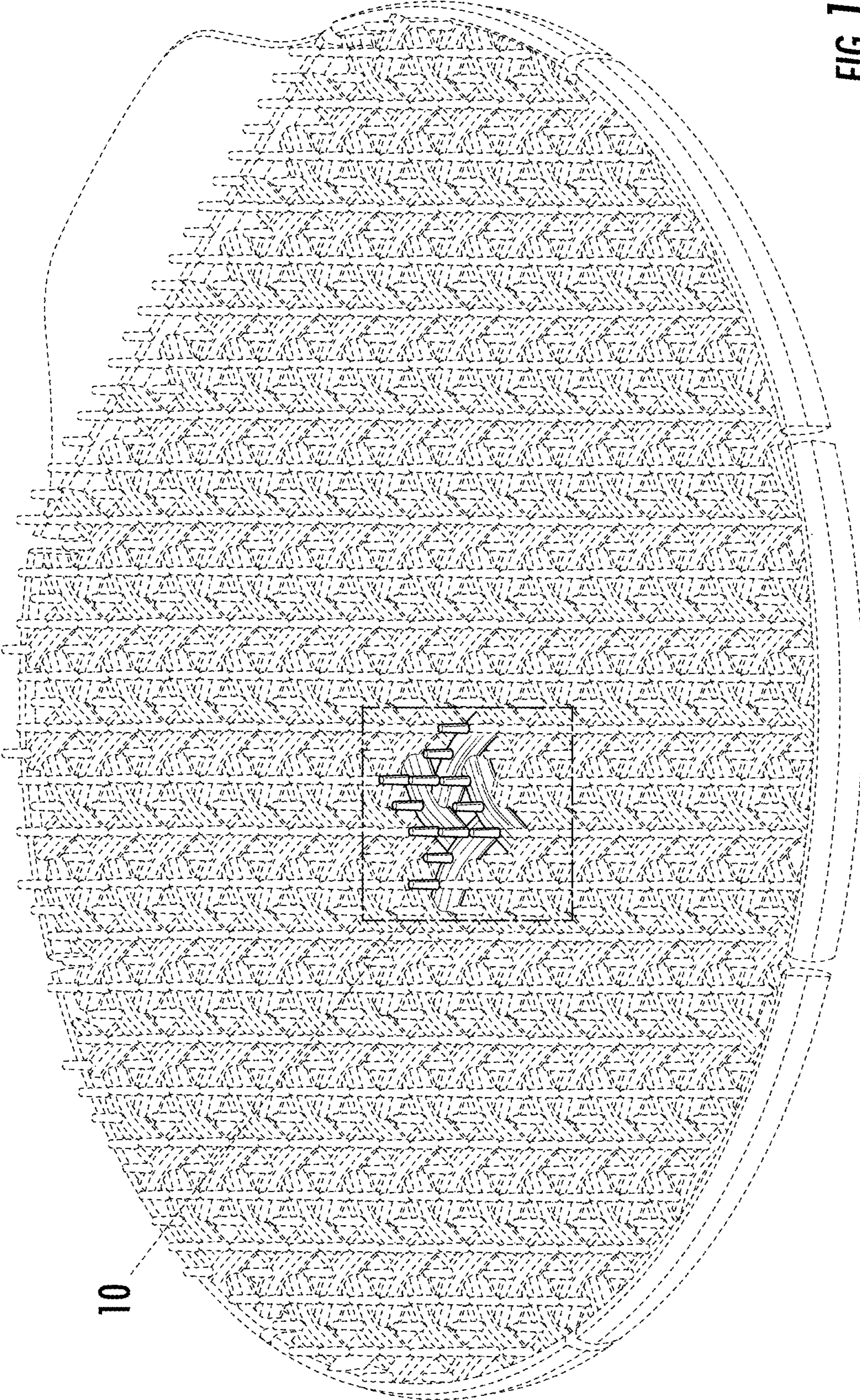
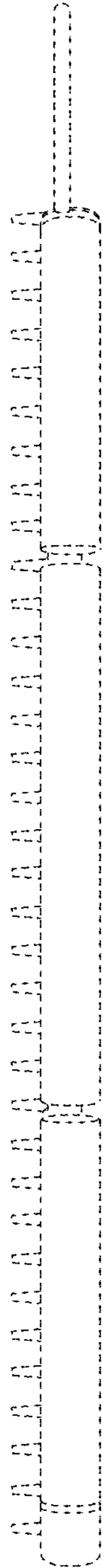
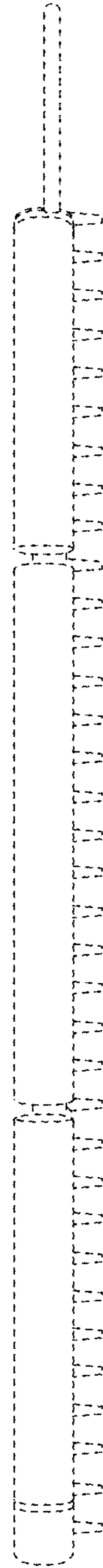


FIG. 1

10

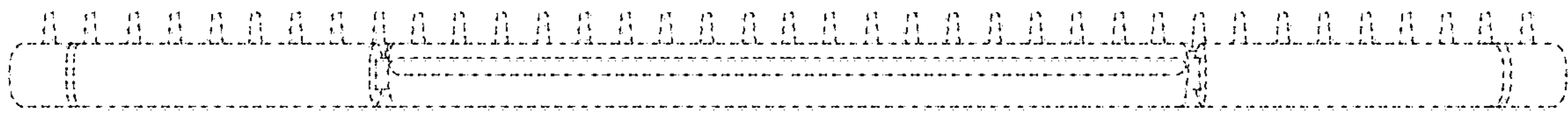


**FIG. 2**

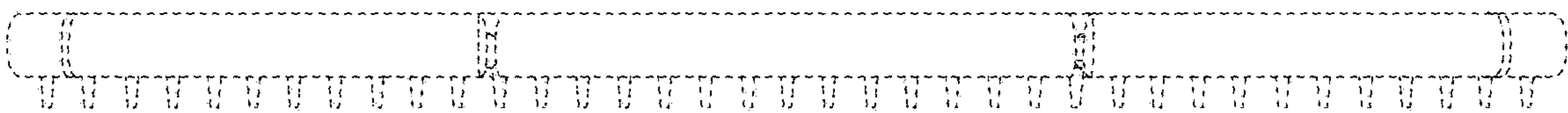


**FIG. 3**





**FIG. 4**



**FIG. 5**

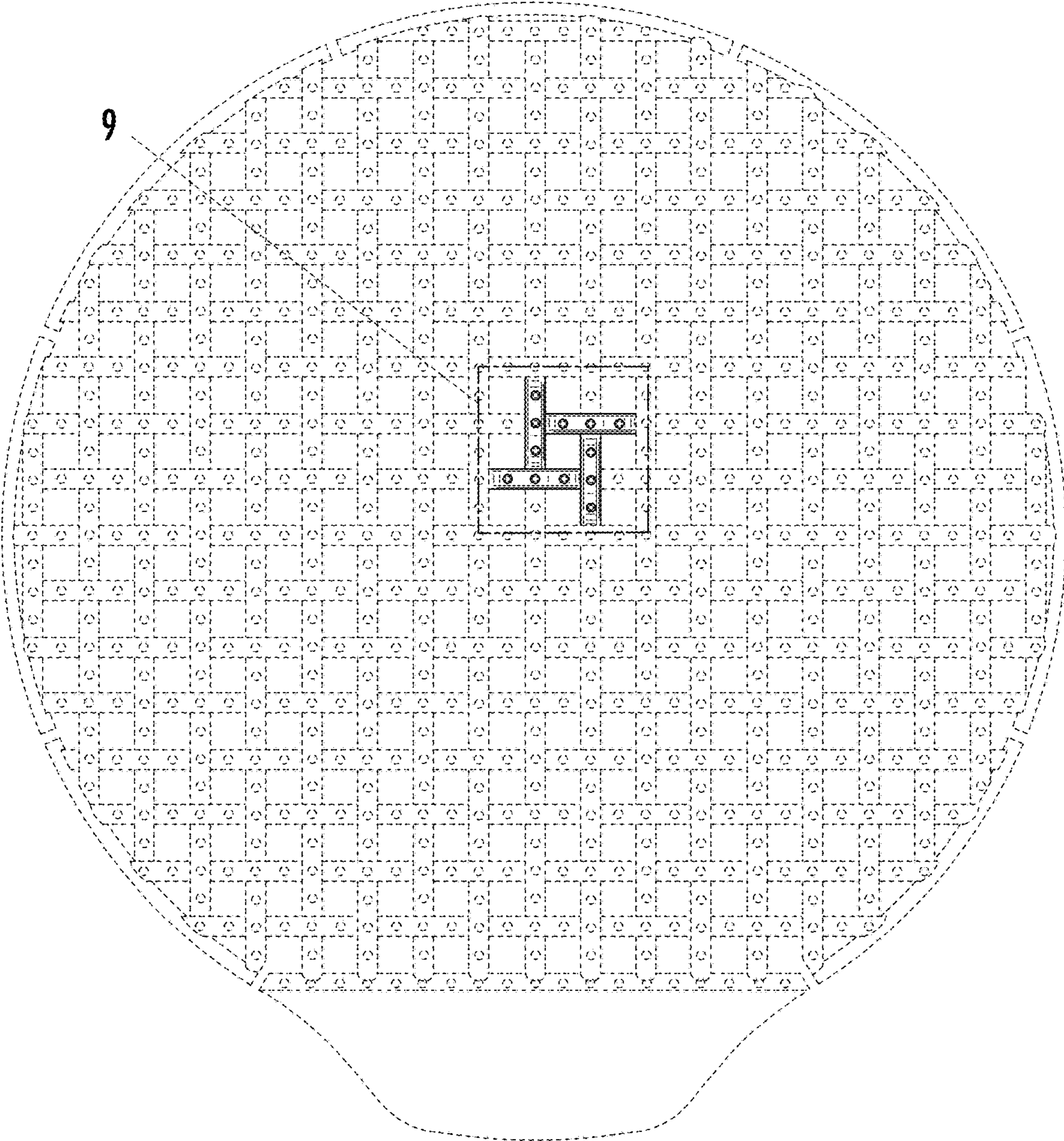


FIG. 6

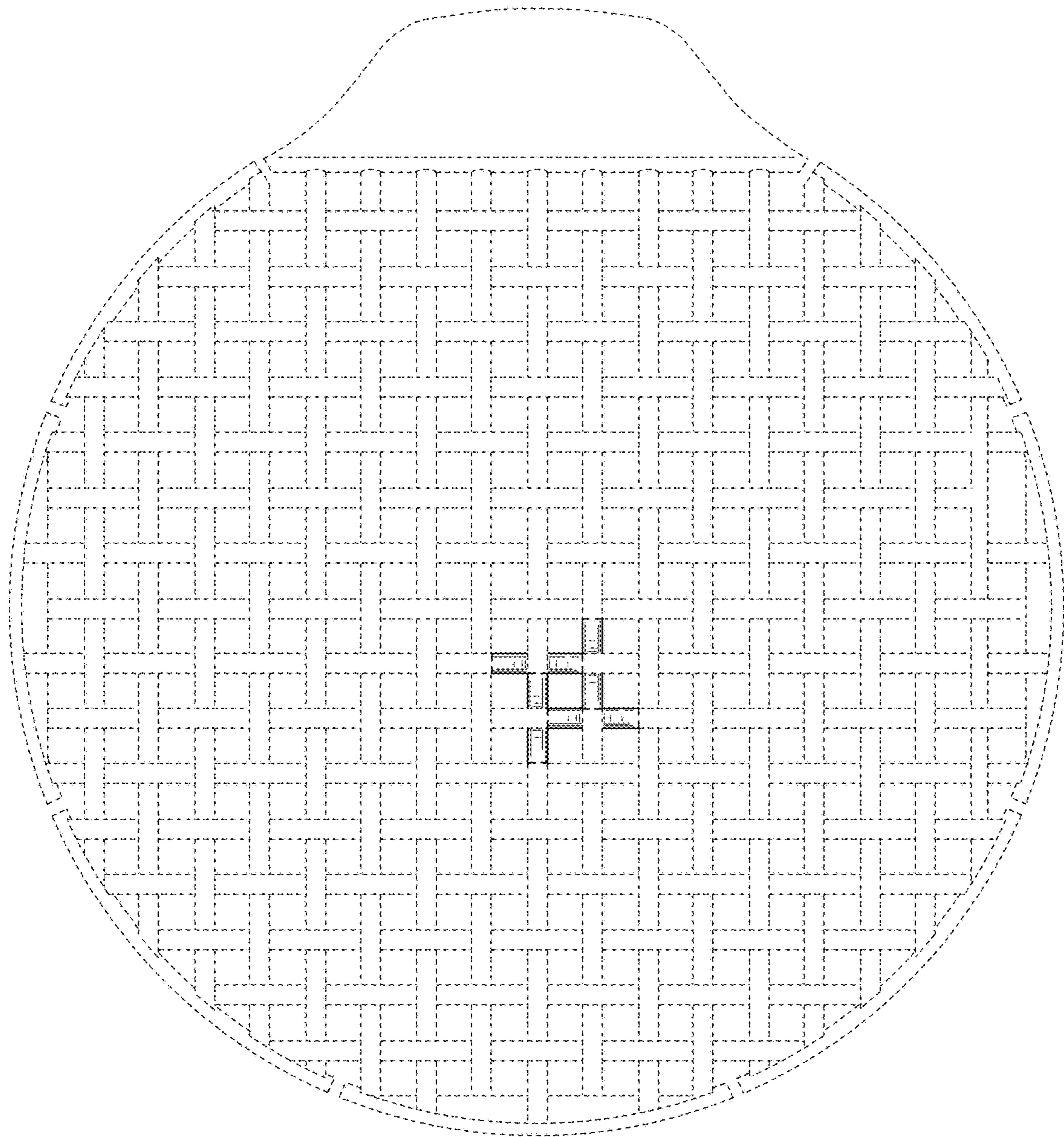


FIG. 7



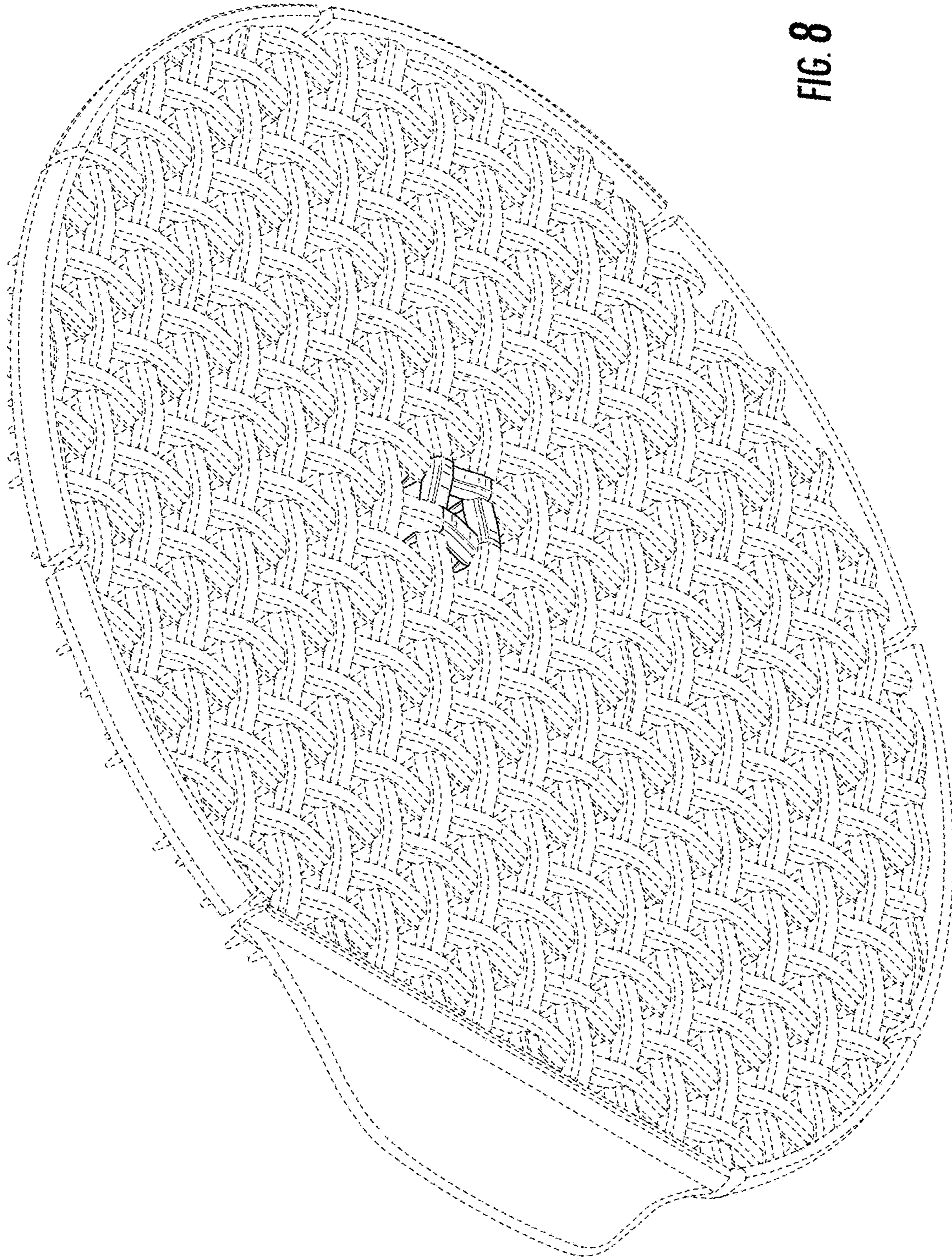
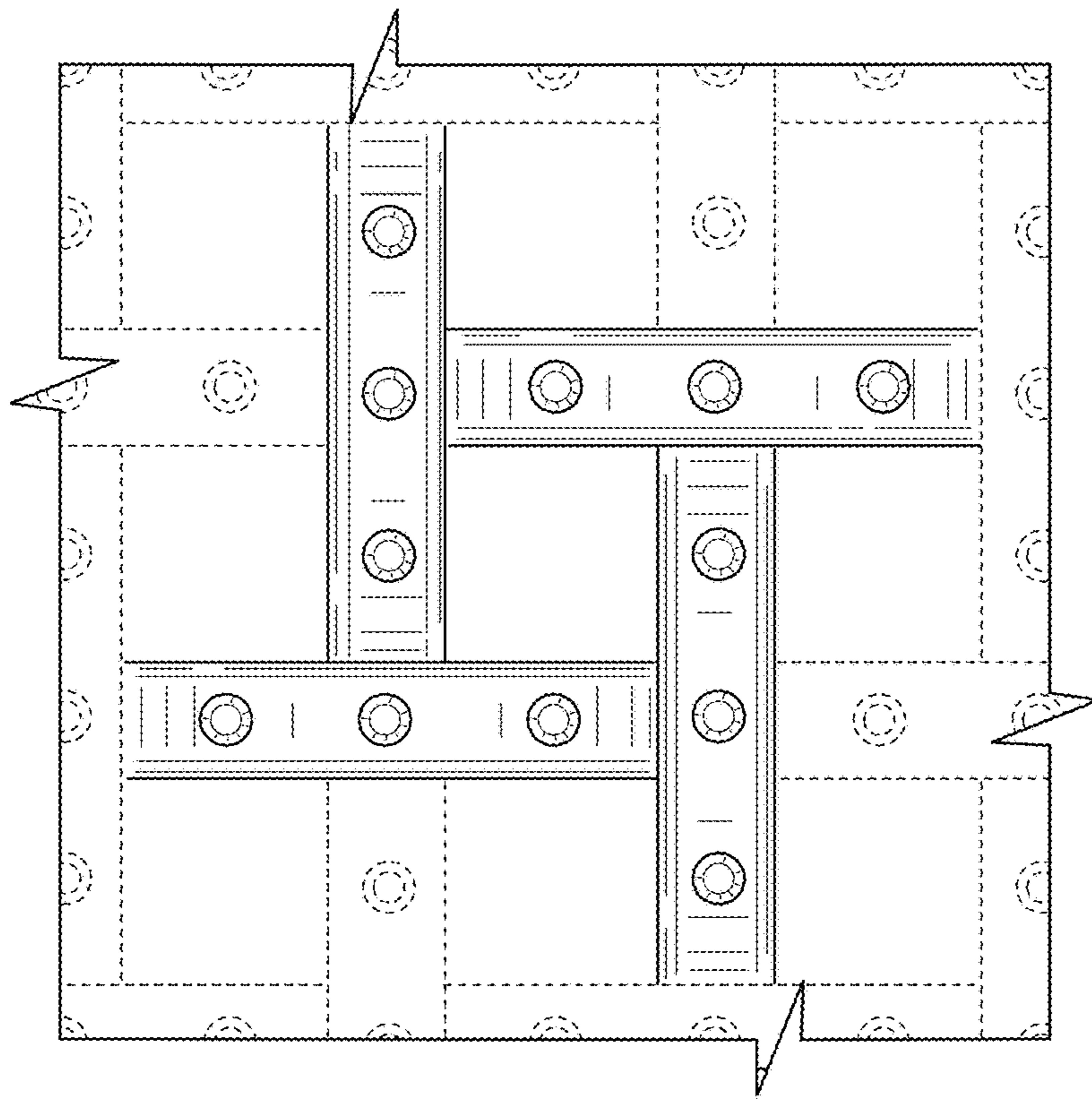
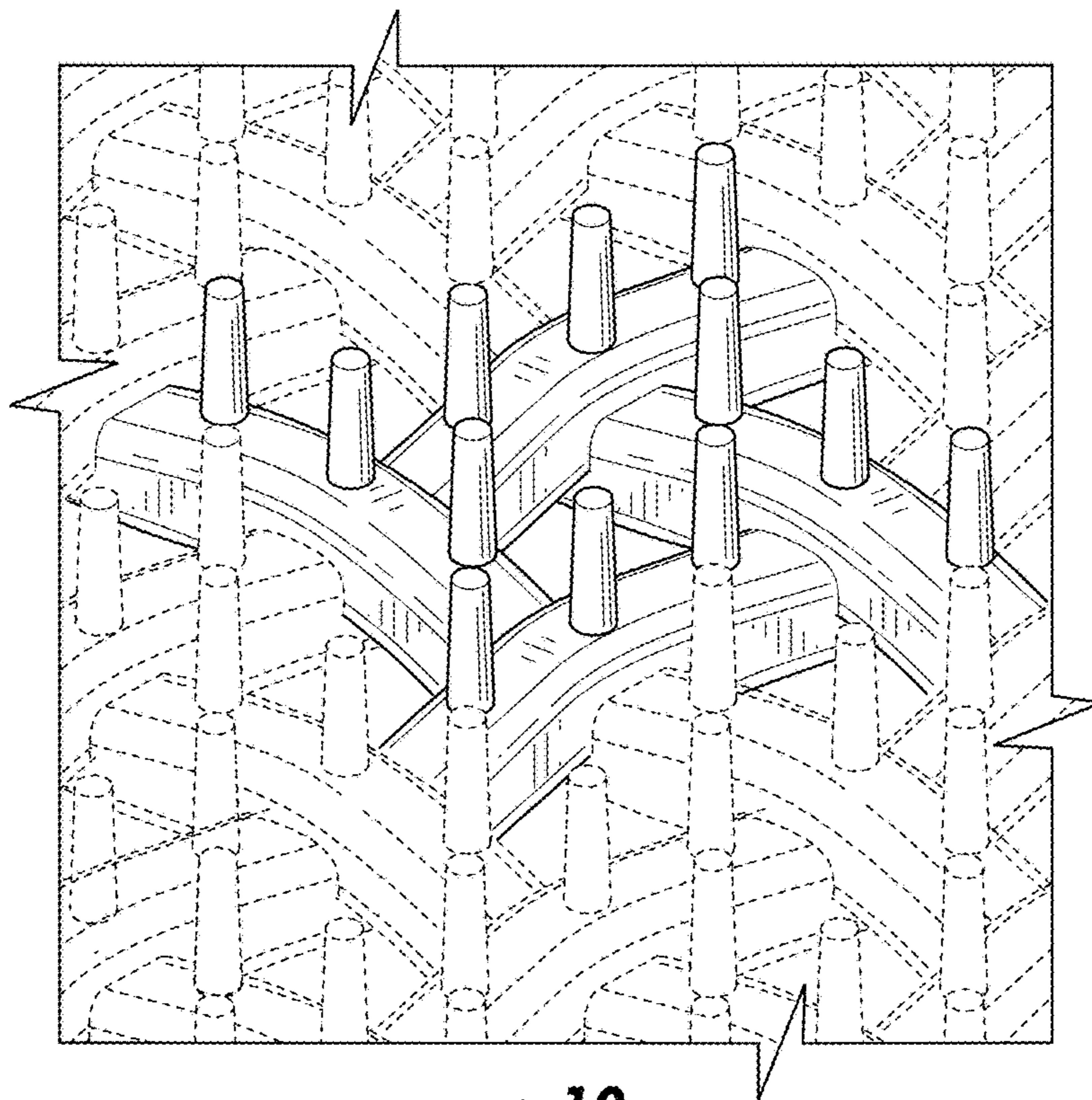


FIG. 8





**FIG. 9**



**FIG. 10**