



US00D806835S

(12) **United States Design Patent**
D'Amico et al.

(10) **Patent No.:** **US D806,835 S**
(45) **Date of Patent:** **** Jan. 2, 2018**

(54) **URINAL SCREEN**

(71) Applicant: **GPCP IP HOLDINGS LLC**, Atlanta, GA (US)

(72) Inventors: **Daniel D'Amico**, South Salem, NY (US); **Jacob Edward Malesky**, Menasha, WI (US)

(73) Assignee: **GPCP IP Holdings LLC**, Atlanta, GA (US)

(**) Term: **15 Years**

(21) Appl. No.: **29/553,957**

(22) Filed: **Feb. 5, 2016**

(51) **LOC (11) Cl.** **23-01**

(52) **U.S. Cl.**
USPC **D23/261**

(58) **Field of Classification Search**
USPC D23/209-210, 259-262, 268-269, 233, D23/263, 266, 309-310, 312; 4/286-295,
(Continued)

(56) **References Cited**

U.S. PATENT DOCUMENTS

571,275 A 11/1896 Maxwell et al.
647,895 A 4/1900 Burson
(Continued)

FOREIGN PATENT DOCUMENTS

AU 636863 B2 5/1993
AU 2015100064 A4 2/2015
(Continued)

OTHER PUBLICATIONS

Dustbane Catalogue, 3-D Shield, website, http://www.dustbane.ca/product_sheet/en/3D_Shield-en-sm.pdf, Copyright 2016, Found Oct. 3, 2016.

(Continued)

Primary Examiner — Eric L Goodman

Assistant Examiner — Amy C Wierenga

(74) *Attorney, Agent, or Firm* — Alston & Bird LLP

(57) **CLAIM**

We claim the ornamental design for a urinal screen, as shown and described.

DESCRIPTION

FIG. 1 is a perspective view of a first embodiment of a urinal screen showing our new design;

FIG. 2 is a front elevation view thereof, the rear elevation view being a mirror image thereof;

FIG. 3 is a right side elevation view thereof, the left side elevation view being a mirror image thereof;

FIG. 4 is a top plan view thereof;

FIG. 5 is a bottom plan view thereof;

FIG. 6 is an enlarged top plan view of a partial portion of FIG. 4; and

FIG. 7 is an enlarged perspective view of a partial portion of FIG. 1.

FIG. 8 is a perspective view of a second embodiment of a urinal screen showing our new design;

FIG. 9 is a front elevation view thereof;

FIG. 10 is a rear elevation view thereof;

FIG. 11 is a right side elevation view thereof, the left side elevation view being a mirror image thereof;

FIG. 12 is a top plan view thereof;

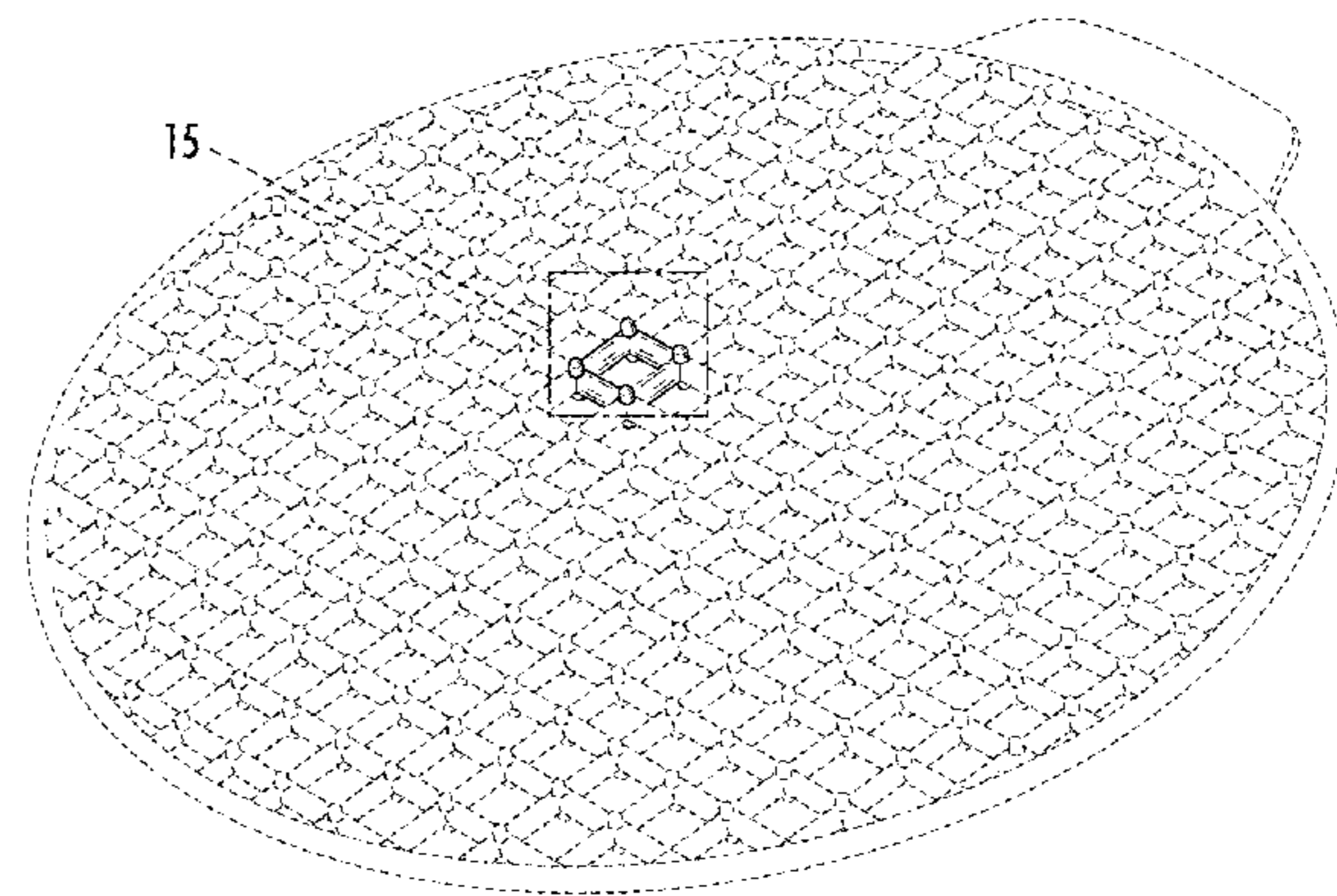
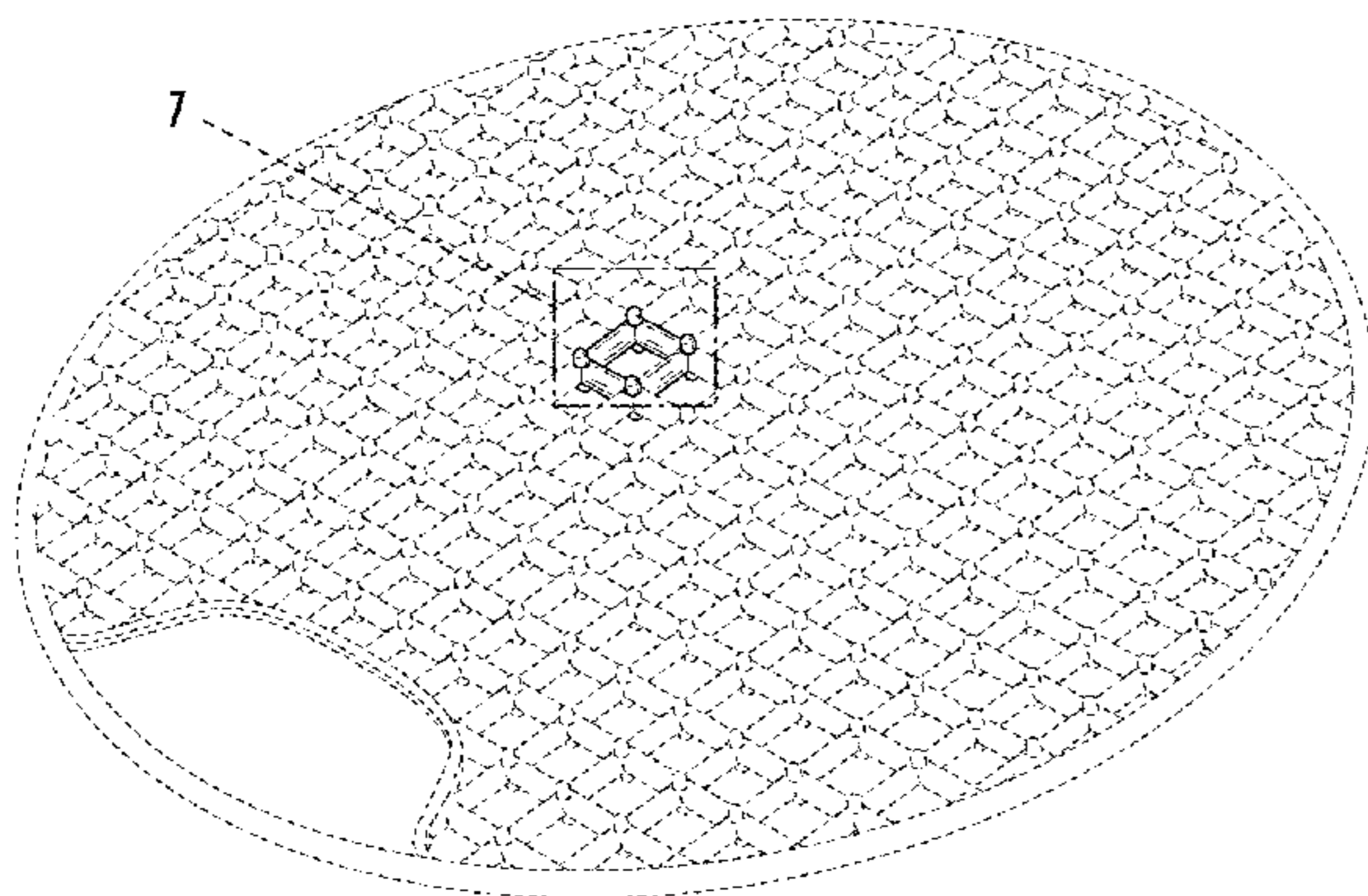
FIG. 13 is a bottom plan view thereof;

FIG. 14 is an enlarged top plan view of a partial portion of FIG. 12; and,

FIG. 15 is an enlarged perspective view of a partial portion of FIG. 8.

The broken lines shown in the drawings are for the purpose of illustrating environment and portions of the urinal screen that form no part of the claimed design. The dash-dot-dash broken lines indicate boundaries for enlarged detailed portion views and form no part of the claim.

1 Claim, 12 Drawing Sheets



(58) **Field of Classification Search**

USPC 4/681, 309; 210/232; 251/215-216;
 137/247, 247.41, 247.51; 285/133.3,
 285/133.4, 133.5, 133.6, 133.11, 133.21,
 285/369, 372, 373, 417; 424/76.7;
 D4/136
 CPC ... E03C 1/26; E03C 1/262; E03C 1/28; E03C
 1/298; E03C 1/23; E03C 1/24; E03C
 1/264; F16L 11/00; F16L 37/252; F16L
 41/007; E03F 5/04; E03D 13/00; E03D
 13/005; A01N 25/34

See application file for complete search history.

(56) **References Cited**

U.S. PATENT DOCUMENTS

675,947 A * 6/1901 Hach E03C 1/264
 4/292
 683,419 A 9/1901 Burson
 927,026 A * 7/1909 Clayton E03D 13/00
 210/499
 1,186,345 A 6/1916 Sleight
 1,430,598 A 10/1922 Sleight
 2,046,214 A 6/1936 Selig
 2,211,970 A 8/1940 Fischer
 2,718,013 A 9/1955 Rajnicek
 2,813,631 A 11/1957 Odman
 2,974,324 A 3/1961 Lundelius
 3,170,169 A 2/1965 Clark
 3,248,740 A * 5/1966 Wisnom E03D 13/00
 4/222.1
 3,597,772 A * 8/1971 Leavitt E03D 9/032
 4/222
 3,760,429 A 9/1973 Brownstein
 3,994,439 A 11/1976 Van Breen et al.
 4,044,405 A 8/1977 Kreiss
 4,095,031 A 6/1978 Engle
 4,135,261 A 1/1979 Uhrman
 D253,145 S 10/1979 Adam
 D253,146 S 10/1979 Adam
 D255,744 S * 7/1980 Dekko D25/156
 4,215,443 A 8/1980 Babik
 D258,181 S 2/1981 Adam
 D258,472 S 3/1981 Adam
 D259,225 S 5/1981 Scheer
 4,552,692 A 11/1985 Gillespie
 4,574,400 A 3/1986 Annowsky
 4,574,403 A 3/1986 Dintemann et al.
 4,671,976 A 6/1987 Vidal
 4,761,437 A 8/1988 Christie
 5,019,346 A 5/1991 Richter et al.
 D329,893 S 9/1992 Luedtke et al.
 5,165,119 A 11/1992 Yamato
 D332,302 S 1/1993 Brown
 5,312,624 A 5/1994 Richter et al.
 5,313,672 A 5/1994 Luedtke et al.
 5,336,424 A 8/1994 Van Vlahakis et al.
 5,365,616 A 11/1994 Morad
 D353,445 S 12/1994 Morad
 5,379,917 A 1/1995 Brown et al.
 D355,807 S * 2/1995 O'Rourke D6/582
 5,398,347 A 3/1995 Luedtke et al.
 5,489,415 A 2/1996 Van Vlahakis et al.
 D370,938 S 6/1996 Roach
 5,567,389 A 10/1996 Birbara et al.
 5,595,324 A 1/1997 Brown et al.
 5,604,937 A 2/1997 Davenport
 D393,896 S 4/1998 Wagner et al.
 5,774,905 A 7/1998 Wager et al.
 5,799,826 A 9/1998 Brown et al.
 5,809,590 A 9/1998 Williams et al.
 5,813,058 A 9/1998 Quigley et al.
 D410,281 S 5/1999 Walker
 6,055,681 A 5/2000 Lyons
 6,062,425 A 5/2000 Brown et al.

D427,295 S 6/2000 Wagner
 D428,120 S 7/2000 Zaldivar
 6,081,937 A 7/2000 Whitacre
 6,197,321 B1 3/2001 Richter et al.
 6,269,490 B1 8/2001 Suski et al.
 D456,492 S 4/2002 Lourens
 D464,122 S 10/2002 Mangan
 D479,313 S 9/2003 Navarra
 6,631,852 B1 10/2003 O'Leary
 6,640,350 B1 11/2003 Deutsch
 D486,341 S * 2/2004 Ruhl D6/583
 6,698,035 B1 3/2004 Grueser
 6,729,506 B2 5/2004 Brown et al.
 6,769,631 B2 8/2004 Brown
 6,823,533 B2 11/2004 Casari
 6,920,648 B1 7/2005 Suski et al.
 D520,610 S 5/2006 Wrate
 7,100,801 B2 9/2006 Brown et al.
 D530,215 S 10/2006 Brown et al.
 7,202,201 B1 4/2007 Williams
 D552,308 S 10/2007 Farr
 D564,550 S 3/2008 Pinchot
 D564,551 S 3/2008 Pinchot
 D565,067 S 3/2008 Pinchot
 D565,610 S 4/2008 Pinchot
 D565,611 S 4/2008 Pinchot
 D565,612 S 4/2008 Pinchot
 D565,613 S 4/2008 Pinchot
 D565,614 S 4/2008 Pinchot
 D565,615 S 4/2008 Pinchot
 D566,145 S 4/2008 Pinchot
 D568,349 S 5/2008 Pinchot
 D571,898 S 6/2008 Gilligan
 7,398,565 B1 7/2008 Chou
 7,410,513 B2 8/2008 Requejo et al.
 D577,416 S 9/2008 Buttgen
 7,461,413 B2 12/2008 Lewis et al.
 D584,863 S * 1/2009 Garry D30/158
 7,484,675 B2 2/2009 Brown
 7,618,532 B2 11/2009 Worth
 D612,914 S 3/2010 Morad
 7,735,694 B2 6/2010 Brown et al.
 D630,714 S 1/2011 Dukes
 D631,531 S 1/2011 Morad
 7,887,697 B2 2/2011 Worth
 7,921,479 B2 * 4/2011 Hunter C11D 3/48
 4/222
 D639,410 S 6/2011 Ramirez
 8,007,707 B1 8/2011 Brown et al.
 8,043,606 B2 10/2011 MacBeath et al.
 D655,793 S 3/2012 Emr
 8,127,969 B2 3/2012 Brown et al.
 D662,573 S 6/2012 Rogalski
 D664,571 S 7/2012 Beyer et al.
 D678,482 S 3/2013 Williams
 D678,483 S * 3/2013 Barker D23/261
 D686,255 S 7/2013 Fu et al.
 D687,471 S 8/2013 Fu et al.
 8,856,977 B2 10/2014 Ramirez
 D718,844 S 12/2014 Johansen
 D718,845 S 12/2014 Johansen
 8,916,140 B2 12/2014 MacBeath et al.
 D724,702 S 3/2015 D'Amico
 8,974,736 B2 3/2015 Brown et al.
 9,027,172 B2 5/2015 Fima
 D746,955 S 1/2016 Corder
 9,243,394 B2 1/2016 Brown et al.
 9,303,396 B1 * 4/2016 Pernici E03D 13/005
 9,309,658 B1 4/2016 Pernici et al.
 D759,792 S * 6/2016 Flury D23/261
 D778,411 S * 2/2017 Brown D23/261
 D778,412 S * 2/2017 Brown D23/261
 2004/0034909 A1 2/2004 Grueser
 2006/0260032 A1 11/2006 Smartt
 2007/0023539 A1 2/2007 Brown et al.
 2007/0044221 A1 3/2007 Wise
 2007/0186337 A1 8/2007 Emr
 2007/0266486 A1 * 11/2007 Ramirez E03D 13/00
 4/309

(56)

References Cited

U.S. PATENT DOCUMENTS

| | | | | |
|--------------|-----|---------|-----------------------|------------------------|
| 2008/0098505 | A1 | 5/2008 | Casari | |
| 2008/0292855 | A1 | 11/2008 | Manderfield et al. | |
| 2010/0183694 | A1 | 7/2010 | Burke et al. | |
| 2010/0199412 | A1 | 8/2010 | McAlpine | |
| 2010/0257664 | A1 | 10/2010 | Kener | |
| 2011/0070279 | A1* | 3/2011 | Chang | A01N 25/34 424/411 |
| 2011/0289665 | A1 | 12/2011 | Lees | |
| 2011/0296597 | A1 | 12/2011 | Brown et al. | |
| 2012/0137419 | A1 | 6/2012 | Hofeling et al. | |
| 2013/0031708 | A1 | 2/2013 | Sensel | |
| 2013/0067651 | A1 | 3/2013 | Brown et al. | |
| 2014/0007336 | A1 | 1/2014 | Mills et al. | |
| 2014/0068848 | A1 | 3/2014 | Neo | |
| 2014/0075663 | A1* | 3/2014 | Irwin | E03D 13/005 4/292 |
| 2014/0076358 | A1 | 3/2014 | Irwin et al. | |
| 2014/0076983 | A1 | 3/2014 | Irwin et al. | |
| 2014/0076984 | A1 | 3/2014 | Irwin et al. | |
| 2014/0076991 | A1 | 3/2014 | Irwin et al. | |
| 2014/0157501 | A1 | 6/2014 | D'Amico | |
| 2014/0165277 | A1 | 6/2014 | Schmed et al. | |
| 2014/0250577 | A1 | 9/2014 | Nakamura et al. | |
| 2014/0259344 | A1 | 9/2014 | Muderlak et al. | |
| 2015/0013780 | A1 | 1/2015 | Watkins | |
| 2015/0047114 | A1 | 2/2015 | Ramirez | |
| 2015/0284940 | A1* | 10/2015 | Kobal | E03D 13/005 4/300.3 |
| 2016/0102451 | A1* | 4/2016 | Brown | E03D 13/005 4/256.1 |
| 2016/0122992 | A1* | 5/2016 | Brown | E03D 13/005 4/256.1 |
| 2016/0138256 | A1* | 5/2016 | Abbas | E03D 9/007 4/300.3 |
| 2016/0215490 | A1* | 7/2016 | Keune | E03D 13/005 |
| 2017/0067243 | A1* | 3/2017 | Valencia Garcia | E03D 9/00 |
| 2017/0087266 | A1 | 3/2017 | Graham et al. | |
| 2017/0096808 | A1* | 4/2017 | D'Amico | E03D 13/005 |

FOREIGN PATENT DOCUMENTS

| | | | |
|----|----------------|----|---------|
| CA | 1193199 | A1 | 9/1985 |
| DE | 19832716 | A1 | 1/2000 |
| DE | 102013108149 | A1 | 2/2015 |
| GB | 2473055 | A | 3/2011 |
| WO | WO 94/20407 | A1 | 9/1994 |
| WO | WO 97/11234 | A1 | 3/1997 |
| WO | WO 2004/055768 | A1 | 7/2004 |
| WO | WO 2008/089497 | A1 | 7/2008 |
| WO | WO 2010/091862 | A1 | 8/2010 |
| WO | WO 2014/043725 | A1 | 3/2014 |
| WO | WO 2014/200400 | A1 | 12/2014 |
| WO | WO 2015/088303 | A1 | 6/2015 |
| ZA | 200105073 | A | 1/2002 |

OTHER PUBLICATIONS

Fresh Products, "Wave Deodorant Screen", Aug. 29, 2014 to May 26, 2015, Internet Archive <http://web.archive.org/web/*/http://freshproducts.com/wave-deodorant-screen.html>, 4 pages.

Fresh Products, "Wave 2.0", Apr. 6, 2014 to Jan. 3, 2016, Internet Archive <http://web.archive.org/web/*/http://freshproducts.com/wave-2-0.html>, 4 pages.

Fresh Products, "Toilet and Urinal—Fresh Products, keeping Your World Smelling Fresh", retrieved from <<http://freshproducts.com/our-products/toilet-urinal>>, on Oct. 6, 2015, 2 pages.

Big D Industries, Inc., "The Pearl 3D (brochure)", 1 page, retrieved from <<http://www.bigdind.com/product.aspx?id=BigD118>>, on Jan. 26, 2016.

Ekcos, "ekcoscreen", Nov. 16, 2010 to Jan. 11, 2016, Internet Archive <<http://web.archive.org/web/20101116091823/http://www.ekcos.com/>>, 1page.

Fresh Products, "Dome Urinal Screen (formerly known as RemindAir)", 2 pages, retrieved from <<http://freshproducts.com/dome-urinal-screen.html>>, on Jan. 26, 2016.

Fresh Products, "Eco Bowl Clip 2.0", Mar. 27, 2014 to Jan. 16, 2016, Internet Archive <<http://web.archive.org/web/20160116002414/http://freshproducts.com/eco-bowl-clip.html>>, 2 pages.

Fresh Products, "Eco-Air", 2016 Catalog, p. 7, retrieved from <http://freshproducts.com/media/wysiwyg/Literature/Fresh_Products_2016_Catalog_102915.pdf> on Jan. 26, 2016.

Fresh Products, "Wave 3D", May 1, 2015 to Jan. 16, 2016, Internet Archive <<http://web.archive.org/web/20160116045345/http://freshproducts.com/wave-3d.html>>, 3 pages.

Hospeco, "Airworks Urinal Screens", 2 pages, retrieved from <<https://www.hospeco.com/Products/AirWorks%20Complementary%20Air%20Care/AirWorks%20Urinal%20Screens>>, on Ja. 26, 2016.

Hospeco, "Health Gards® Urinal Screen With Non-Para Block", 6 pages, retrieved from <<https://www.hospeco.com/product/019>>, on Jan. 26, 2016.

Rochester Midland Corporation, "Savor Breeze Screen", Oct. 19, 2014 to Oct. 19, 2014, Internet Archive <http://web.archive.org/web/20141019152331/http://www.rochestermidland.com/products/personal_care/get_specs.cfm?PRODUCT_CODE=25190487>, 1 page.

Vectair Systems Inc., "Vectair V-Screen (brochure)", 2015, 2 pages, retrieved from <<http://www.vectairsystems.com/products/wash-room/v-screen-urinal-screens/>>, on Jan. 26, 2016.

Impact, "Z-Screen™ Deodorizing Urinal Screens", May 2, 2014 to May 4, 2015, Internet Archive <http://web.archive.org/web/*/http://catalog.impact-products.com/viewitems/urinal-screens/z-screen%E2%84%A2-deodorizing-urinal-screens>, 2 pages.

Ekcos, "Ekcos 30-Day Anti-Splash Protection", Copyright 2015, retrieved from <http://ekcos.com/restrooms_antisplash.html> on Mar. 3, 2016, 11 pages.

Design U.S. Appl. No. 29/541,529, filed Oct. 5, 2015; In re: D'Amico et al., entitled *Urinal Screen*.

Office Action for U.S. Appl. No. 29/578,135 dated Jul. 3, 2017, 28 pages.

Office Action for U.S. Appl. No. 29/578,140 dated Jul. 3, 2017, 28 pages.

* cited by examiner

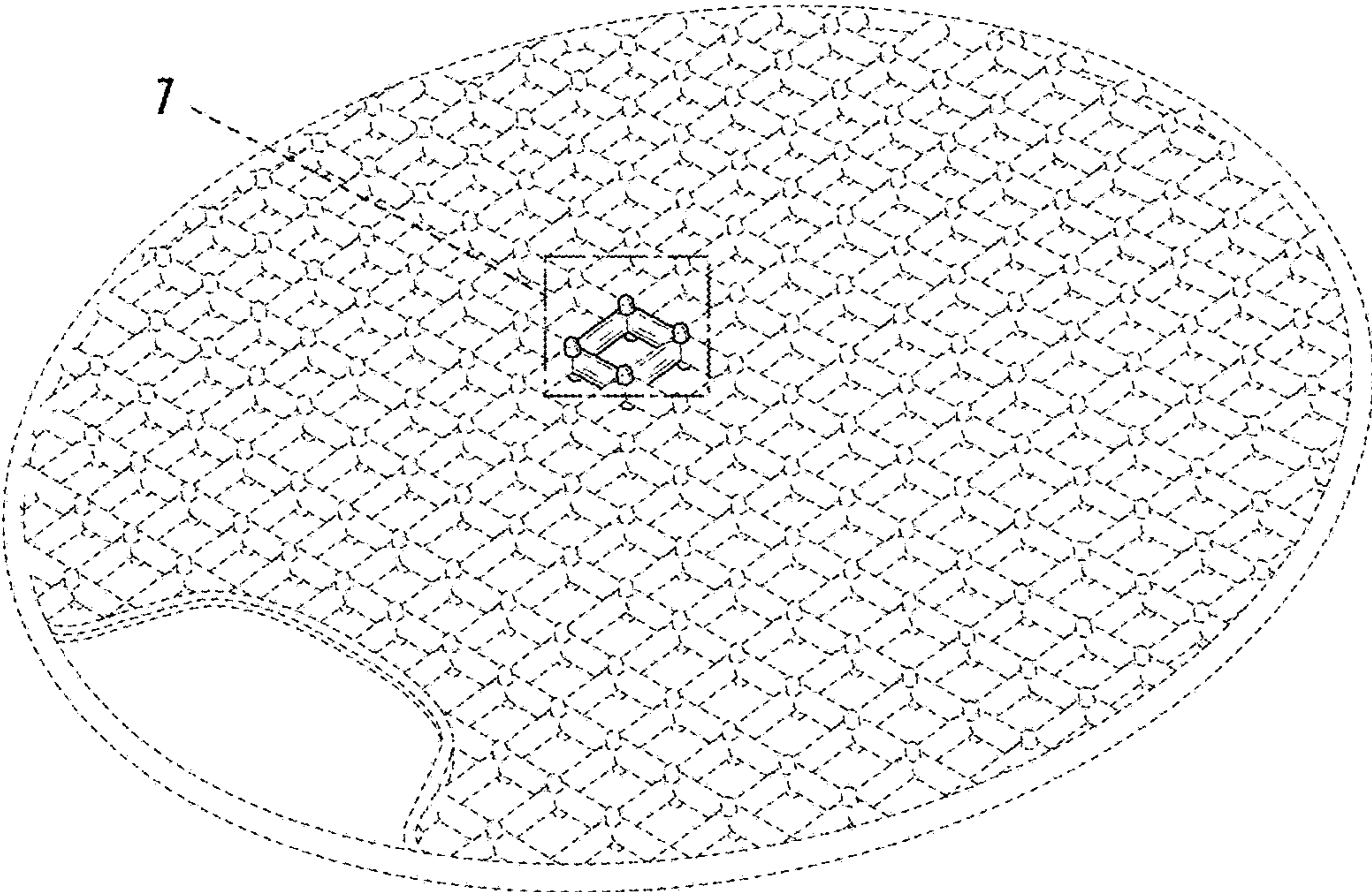


FIG. 1

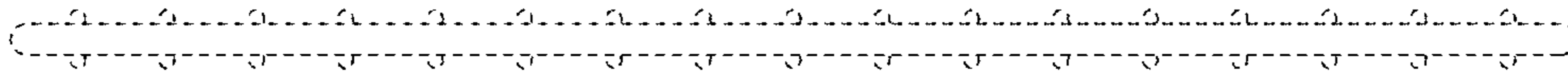


FIG. 2

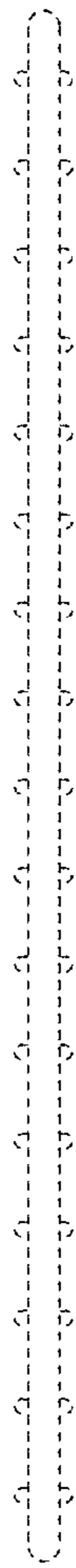


FIG. 3

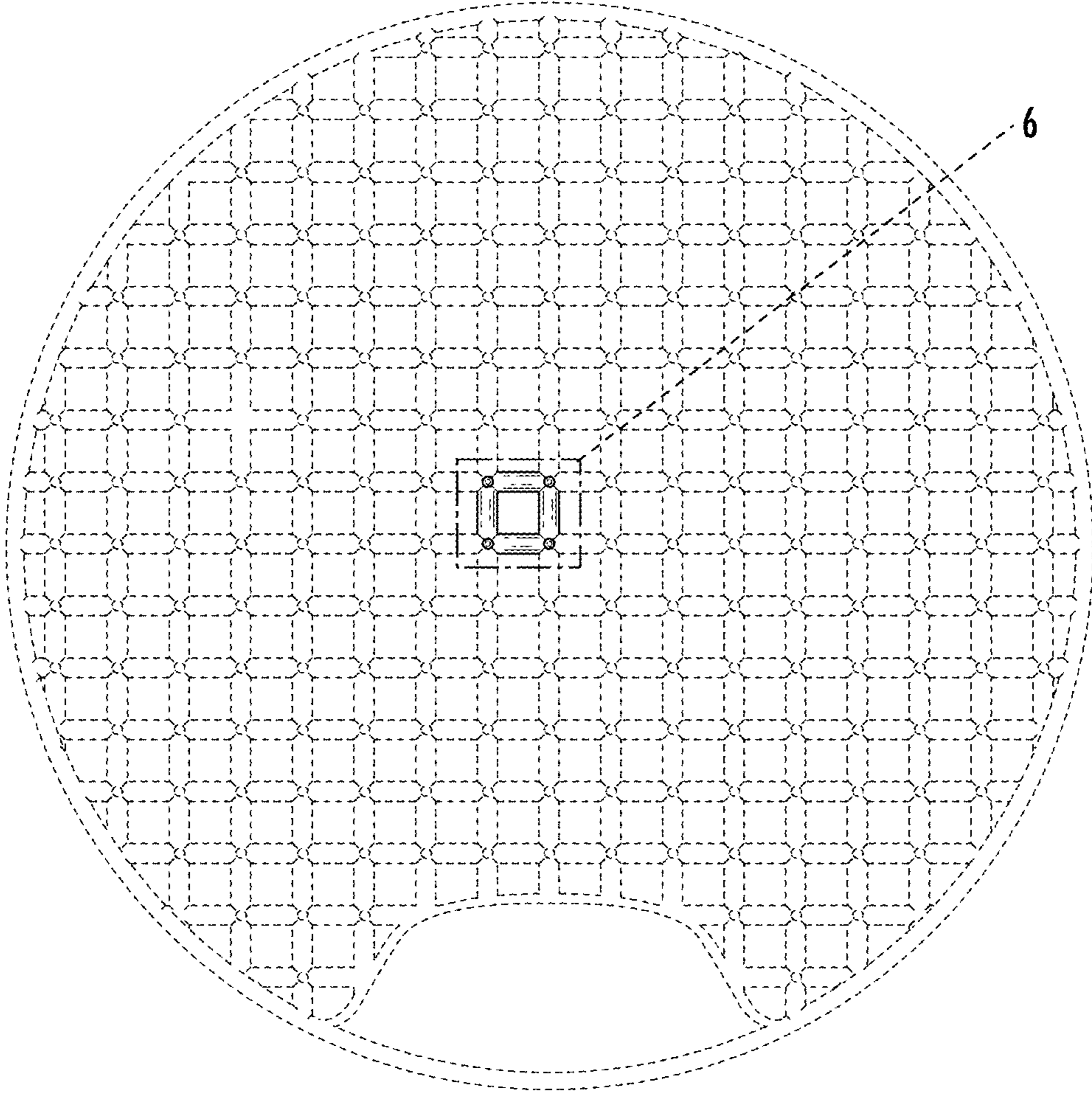


FIG. 4

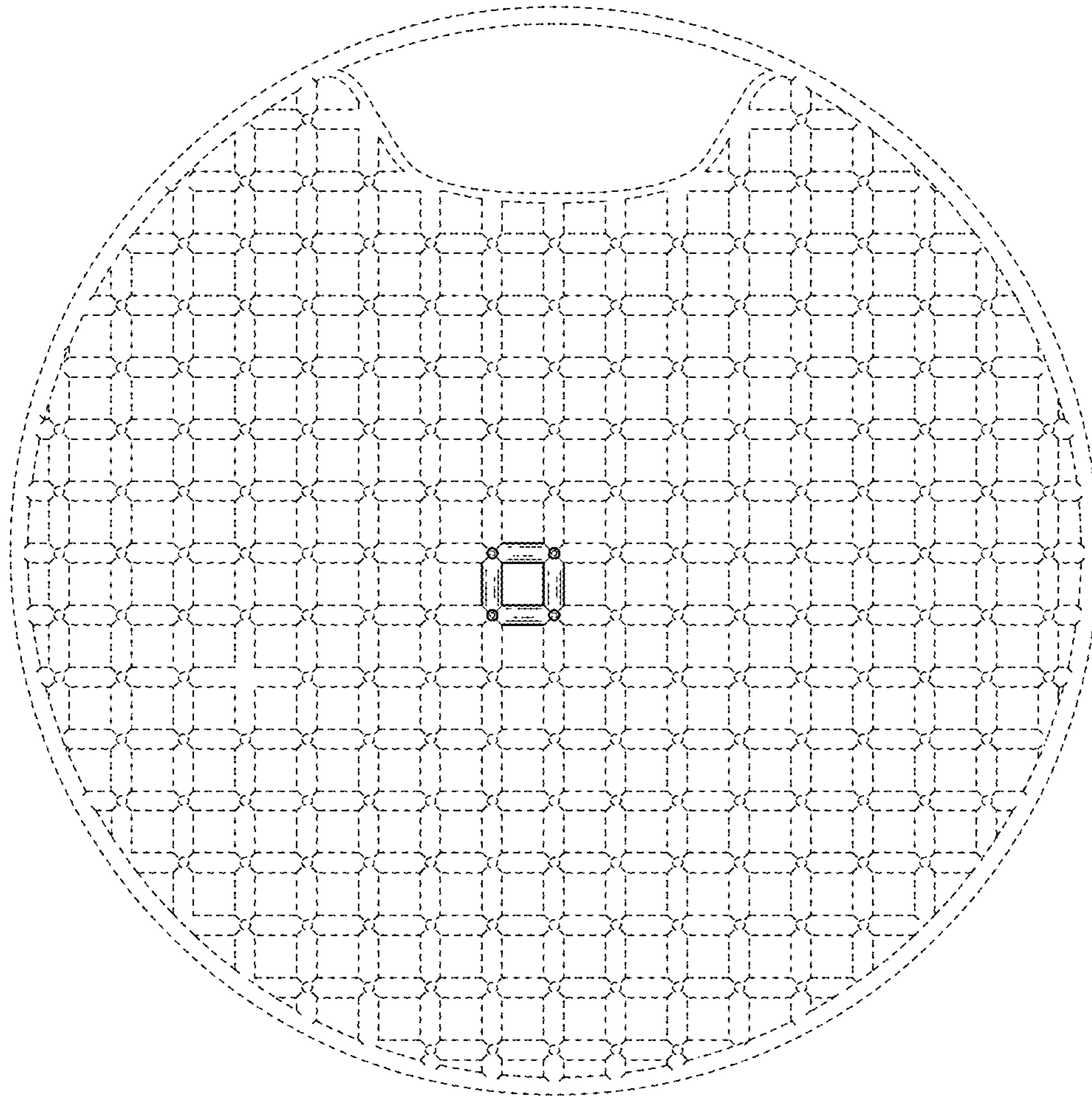


FIG. 5

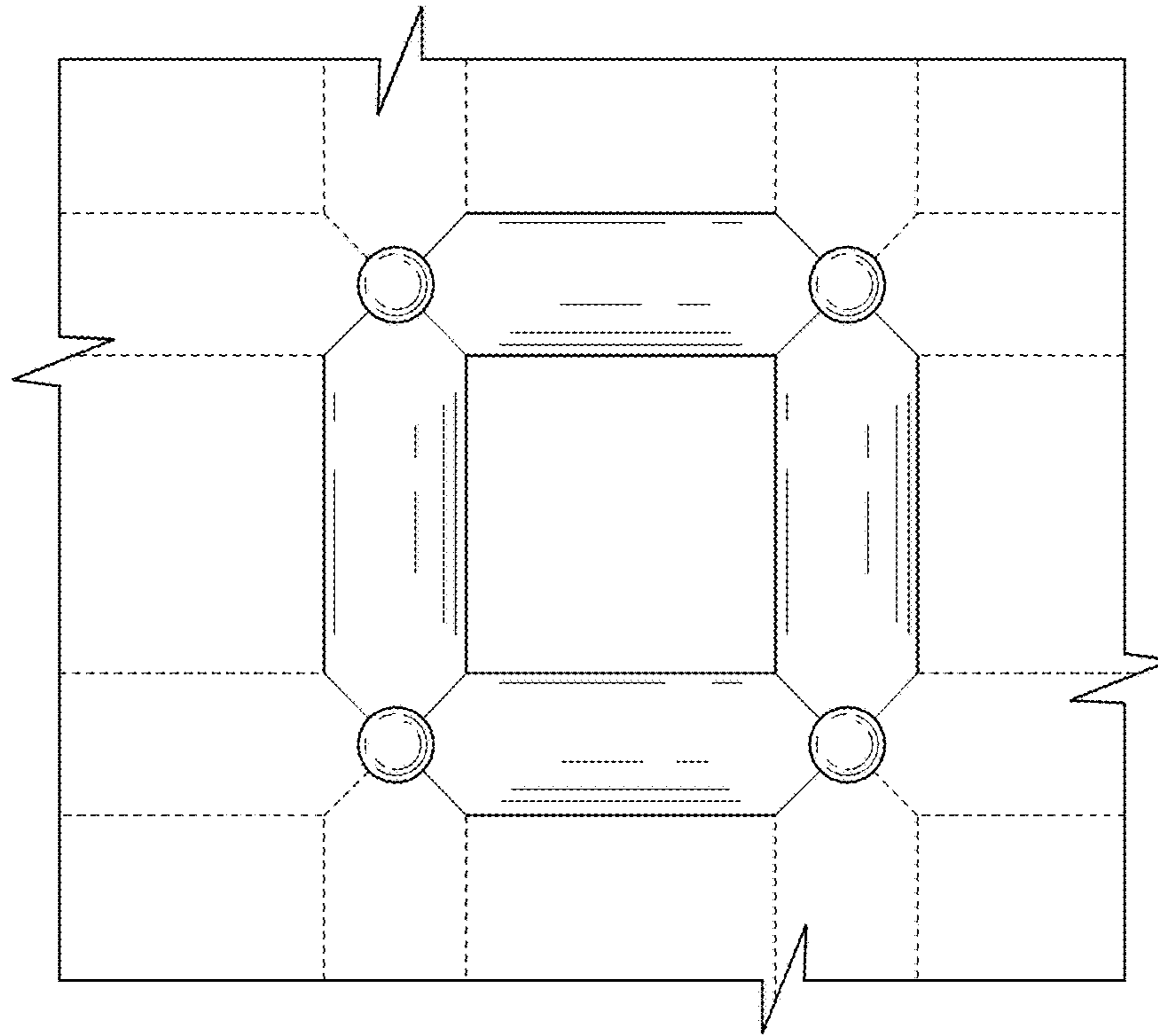


FIG. 6

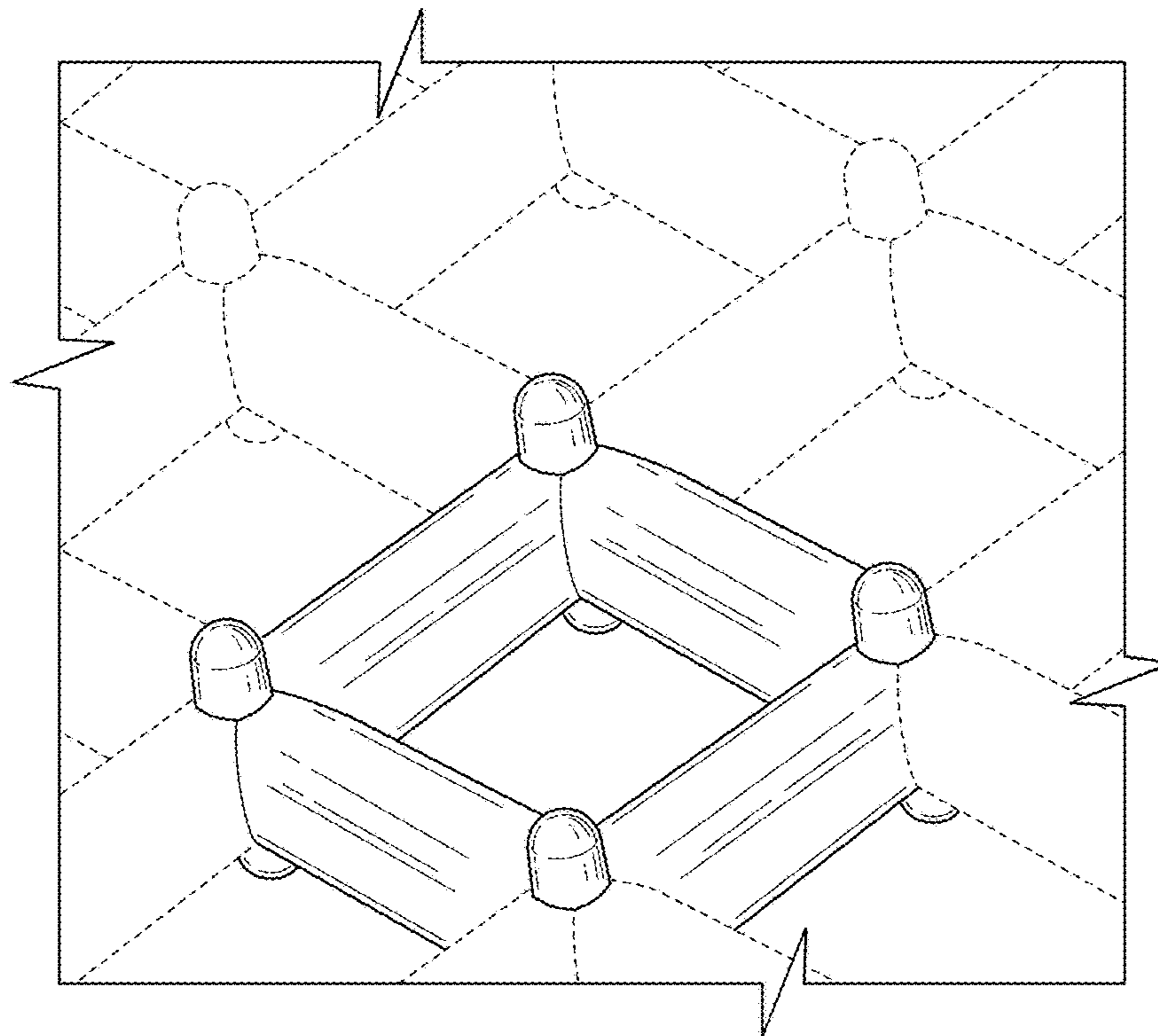


FIG. 7

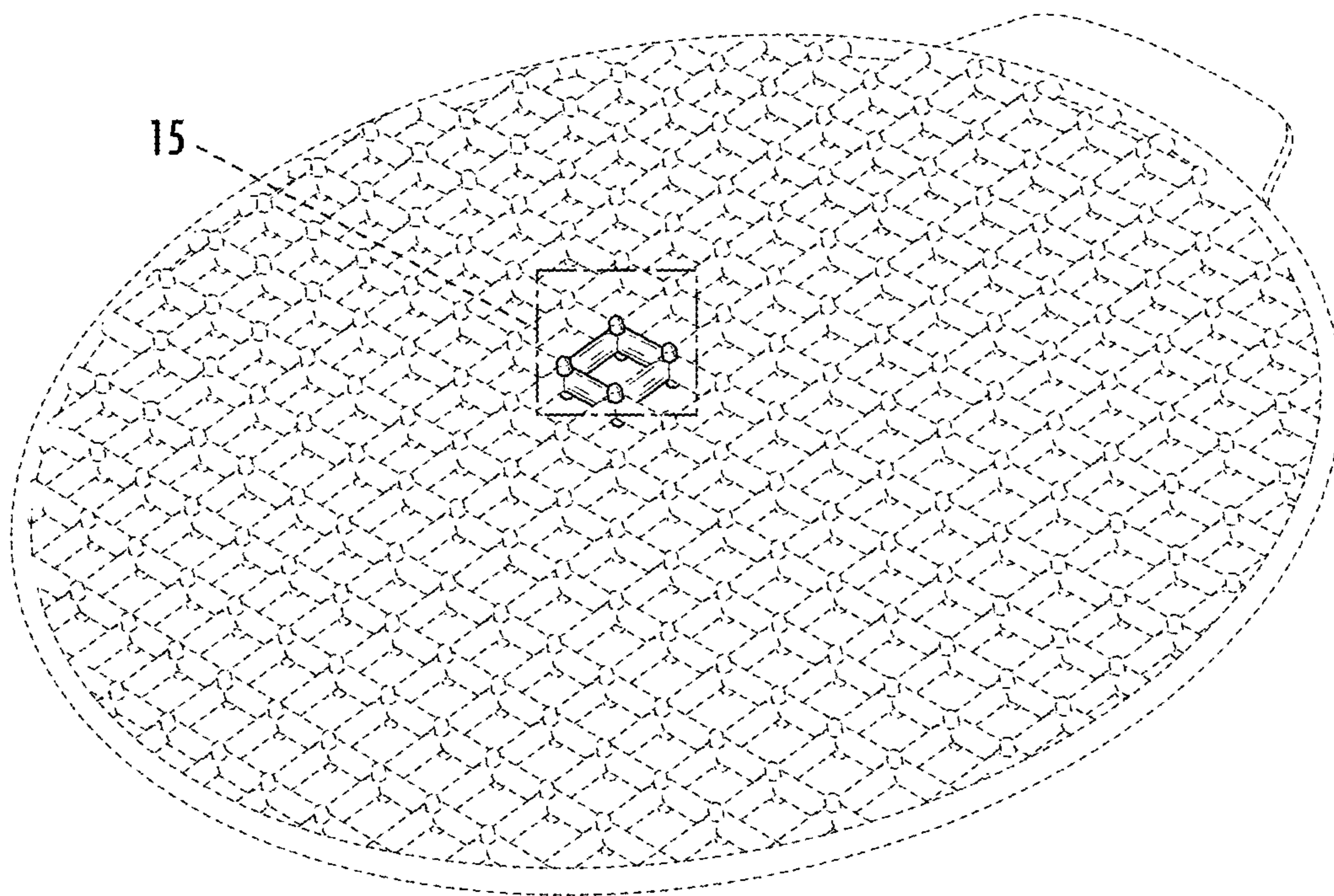


FIG. 8

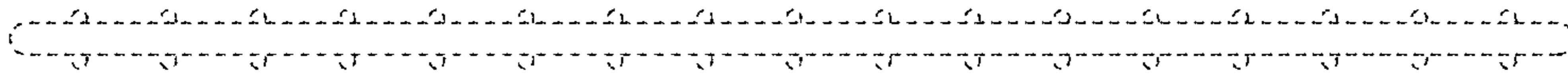


FIG. 9

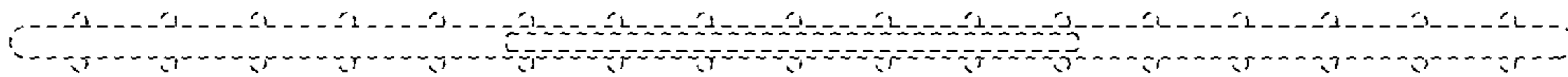


FIG. 10

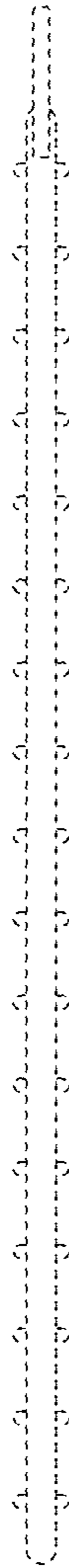


FIG. 11

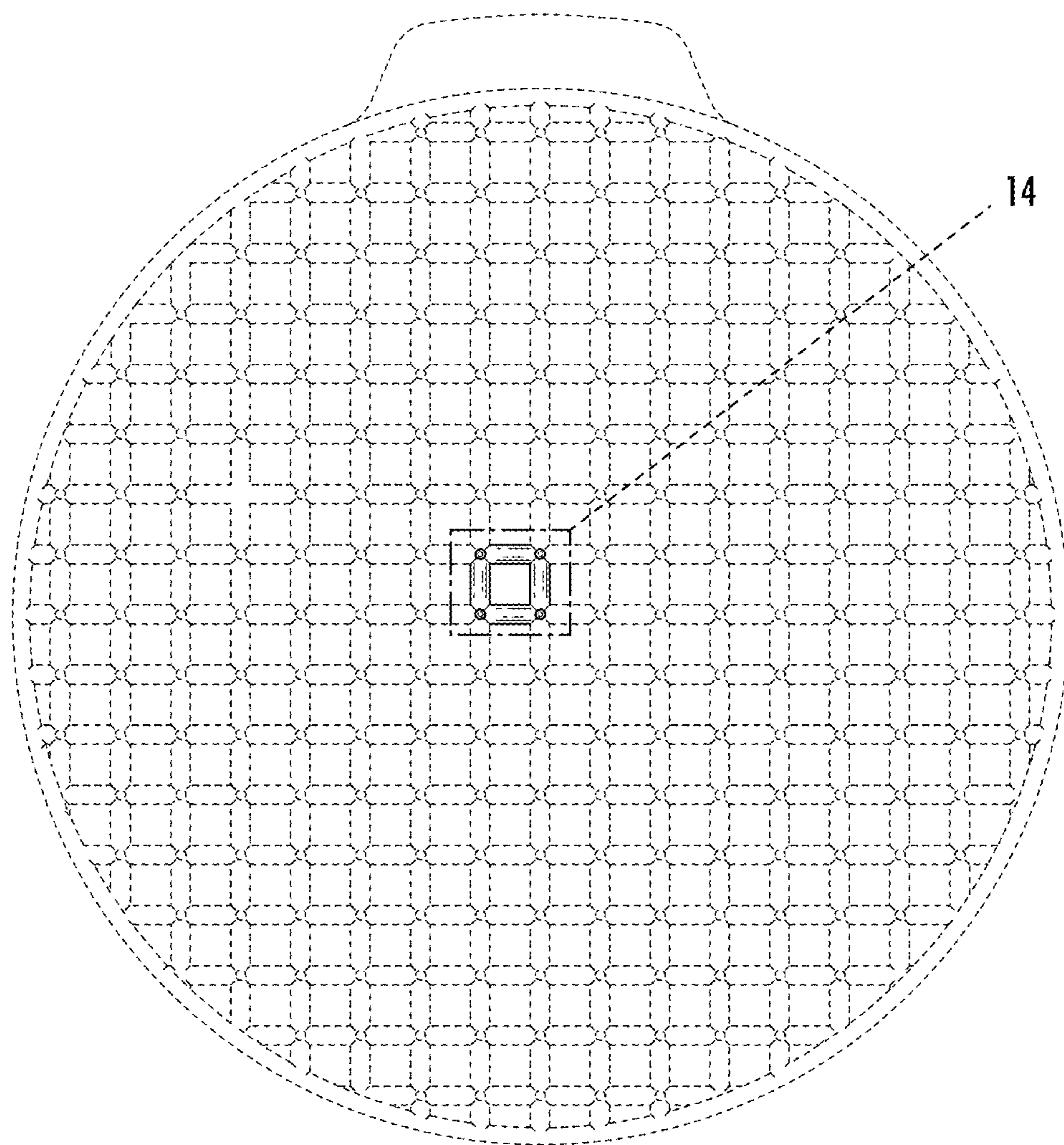


FIG. 12

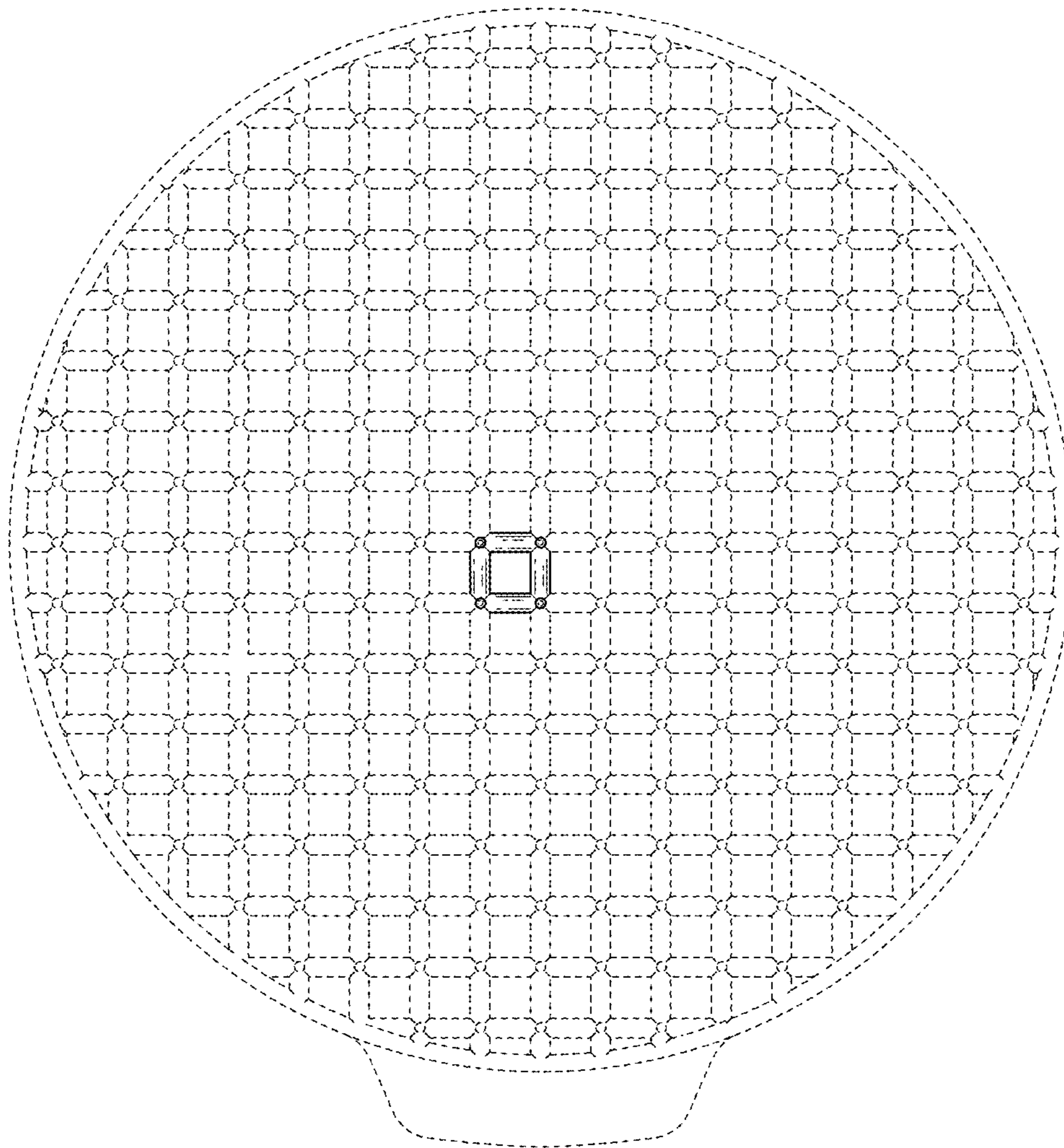


FIG. 13

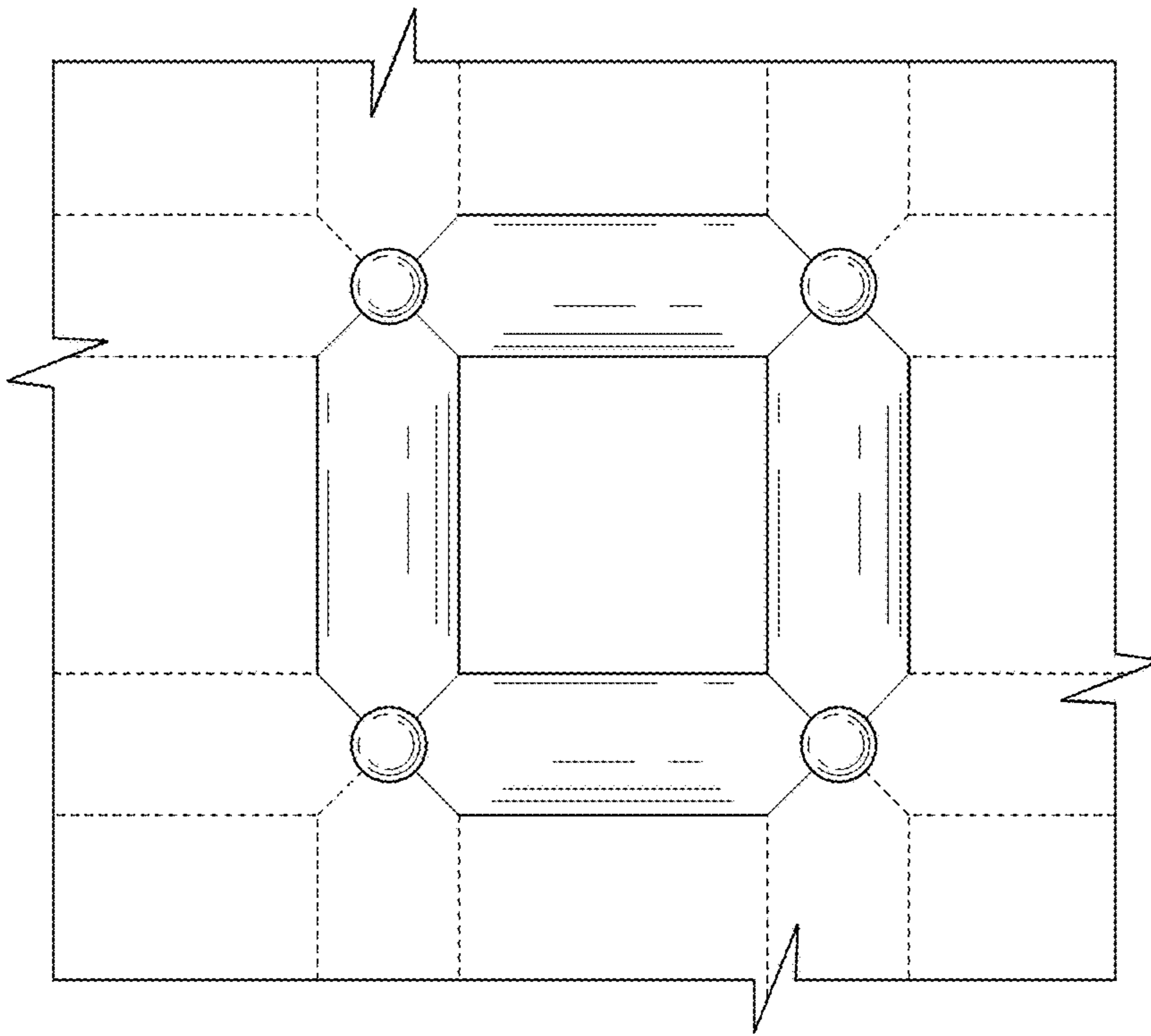


FIG. 14

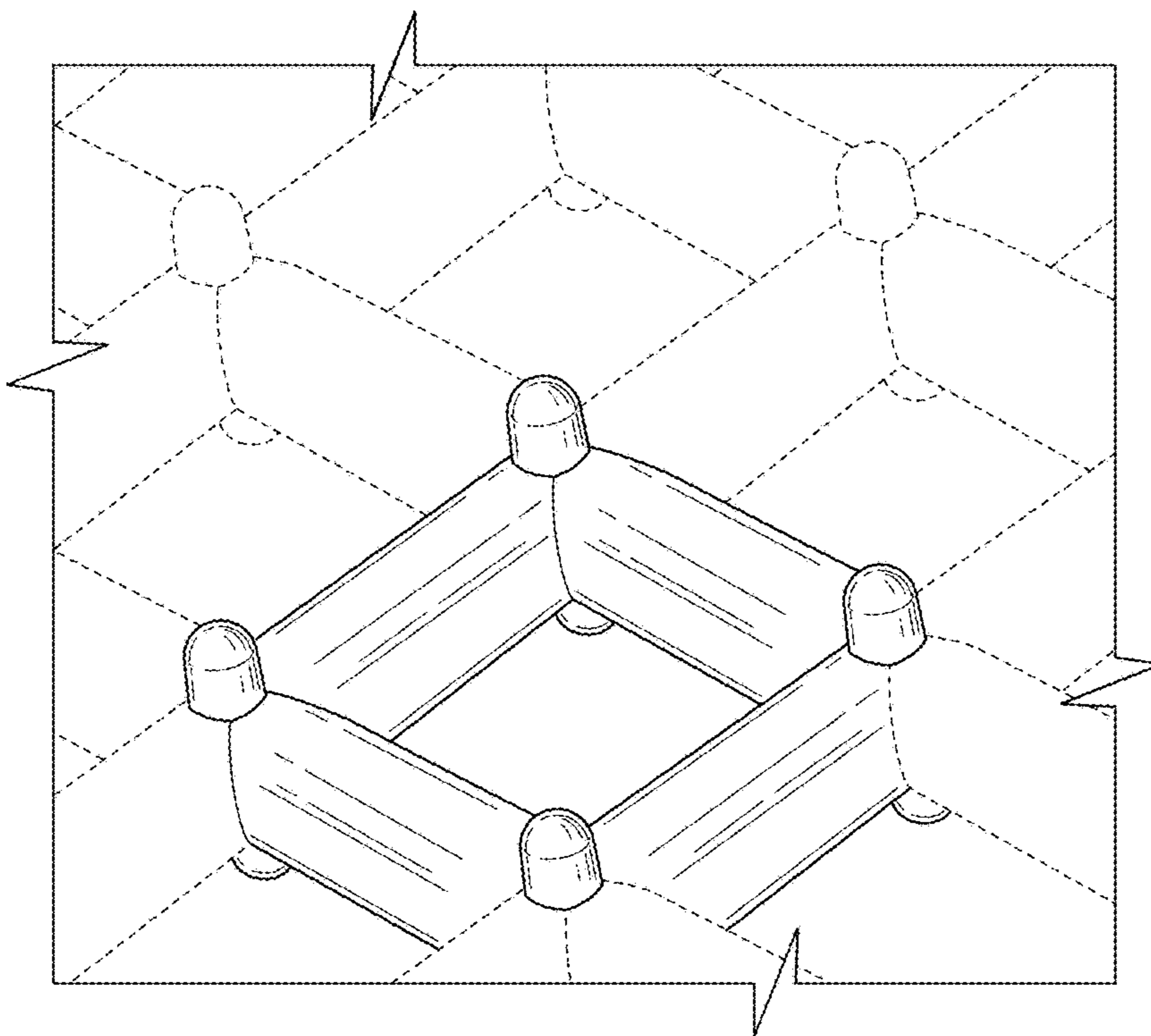


FIG. 15