

US00D806834S

(12) **United States Design Patent**
Schweitzer et al.

(10) **Patent No.:** **US D806,834 S**

(45) **Date of Patent:** **** Jan. 2, 2018**

(54) **END CAP FOR DUAL FILTER ELEMENT**

(71) Applicants: **Stephen Schweitzer**, Kearney, NE
(US); **Farrell F. Calcaterra**, Kearney,
NE (US)

(72) Inventors: **Stephen Schweitzer**, Kearney, NE
(US); **Farrell F. Calcaterra**, Kearney,
NE (US)

(73) Assignee: **Baldwin Filters, Inc.**, Kearney, NE
(US)

(**) Term: **15 Years**

(21) Appl. No.: **29/560,222**

(22) Filed: **Apr. 4, 2016**

(51) **LOC (11) Cl.** **23-01**

(52) **U.S. Cl.**
USPC **D23/260**

(58) **Field of Classification Search**
USPC D23/209, 210, 249, 262, 308, 322-327,
D23/354, 355, 358, 360, 362-368, 386,
D23/387, 393, 395, 411, 421, 499, 260;
D8/349, 354, 382, 396, 399; D15/5, 17,
D15/72, 78, 81, 89, 138, 152; D16/241;
D12/607, 197
CPC B01D 35/30; B01D 35/306; B01D 27/00;
B01D 27/08; B01D 29/21; B01D 29/96;
B01D 2201/291; B01D 2201/34; B01D
2201/4015; B01D 2201/4084
See application file for complete search history.

(56) **References Cited**

U.S. PATENT DOCUMENTS

D296,579 S * 7/1988 Hattori D23/262
D317,965 S * 7/1991 Svensson D23/209
D331,797 S * 12/1992 Rosenbaum D23/249
D346,640 S * 5/1994 Kim D23/209
5,336,405 A * 8/1994 Tang B01D 29/111
210/232

D464,720 S * 10/2002 Lohkamp D23/355
D539,117 S * 3/2007 Sealey D8/349
D541,405 S * 4/2007 Snyder D23/393
D676,930 S * 2/2013 Koledin D23/249
D711,511 S * 8/2014 Van Der Merwe D23/249
D724,179 S * 3/2015 Keenan D23/209
D726,869 S * 4/2015 Lepine D23/209

(Continued)

Primary Examiner — Vy N Koenig

Assistant Examiner — Samantha N Wood

(74) *Attorney, Agent, or Firm* — Reinhart Boerner Van
Deuren P.C.

(57) **CLAIM**

The ornamental design for an end cap for dual filter element,
as shown and described.

DESCRIPTION

FIG. 1 is a perspective view of the perspective view of the
end cap for dual filter element shown incorporated in its
environmental structure:

FIG. 2 is a perspective view thereof, showing a top and a
side thereof;

FIG. 3 is another perspective view thereof, showing the top
and a side opposite that shown in FIG. 2;

FIG. 4 is another perspective view thereof, showing a
bottom and the side shown in FIG. 2;

FIG. 5 is another perspective view thereof, showing the
bottom and a side opposite that shown in FIG. 4;

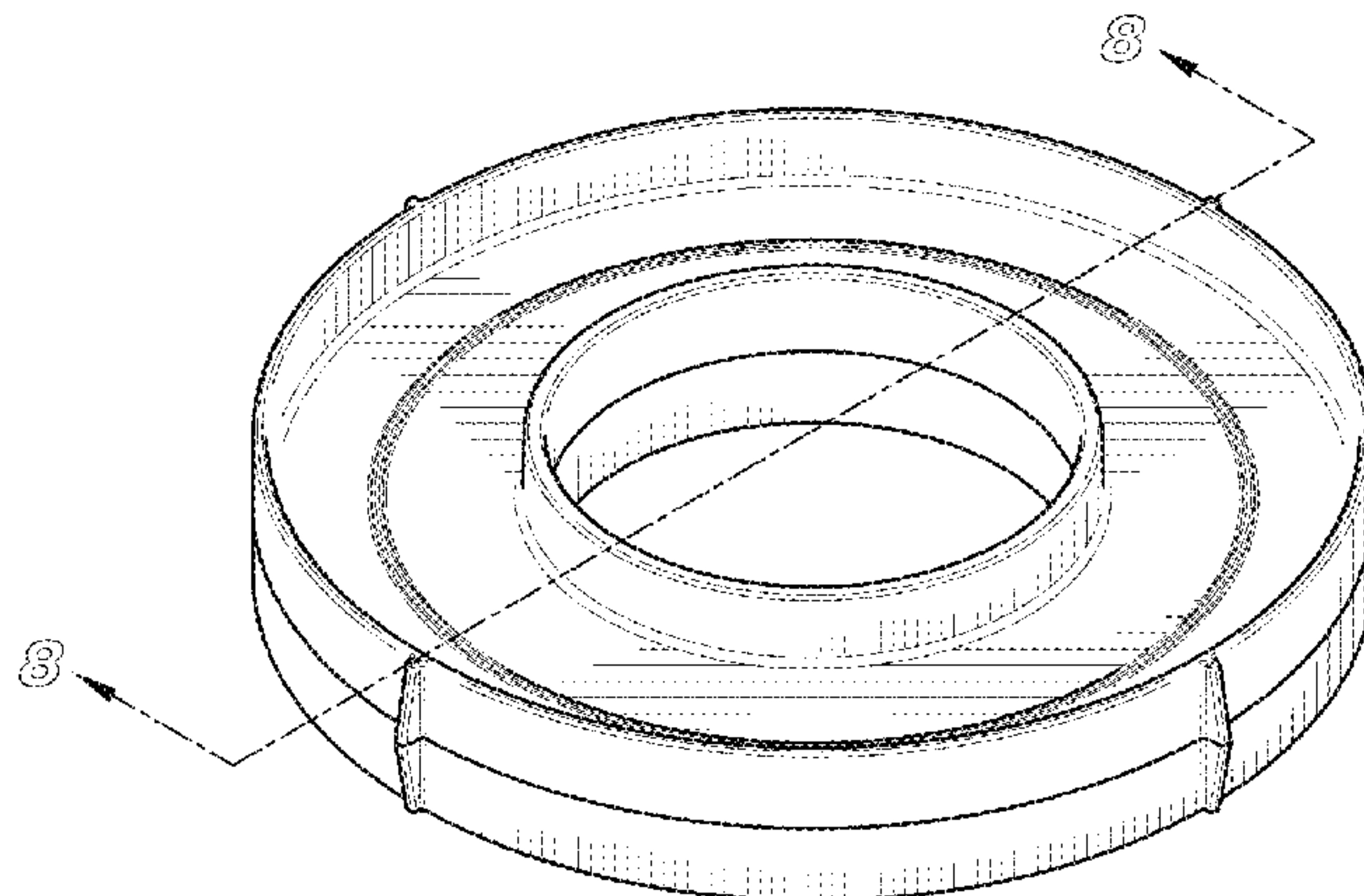
FIG. 6 is a side view thereof, with the opposite side, the
front, and the back being identical to that shown in FIG. 6;

FIG. 7 is a top view thereof, with the bottom view being
identical to that shown in FIG. 7; and,

FIG. 8 is a cross sectional view taken along line 8-8 in FIG.
2.

The broken lines shown in the views are for illustrating
environmental structure, and form no part of the claimed
design.

1 Claim, 5 Drawing Sheets



(56)

References Cited

U.S. PATENT DOCUMENTS

D737,945	S *	9/2015	Leatzow	D23/365
D749,750	S *	2/2016	Cline	D25/113
D750,138	S *	2/2016	Williams	D15/5
D763,426	S *	8/2016	Koch	D23/365
D770,673	S *	11/2016	Hasan	D26/138
2013/0056409	A1 *	3/2013	Sawant	B01D 35/30 210/442
2014/0190880	A1 *	7/2014	Krull	B01D 29/111 210/236
2014/0260144	A1 *	9/2014	Williams	B01D 46/0005 55/502
2015/0174514	A1 *	6/2015	Lin	B01D 35/30 96/11

* cited by examiner

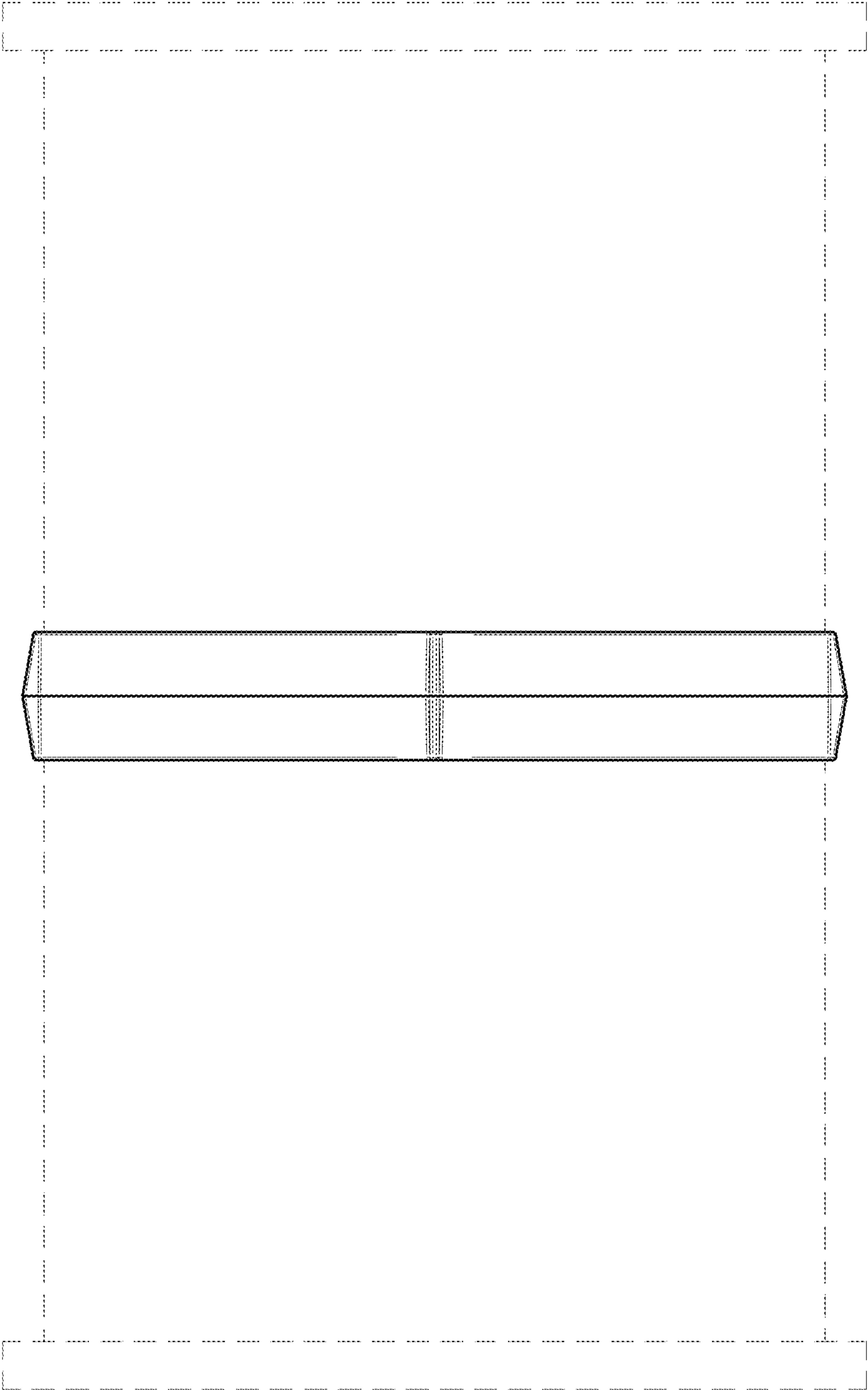


FIG. 1

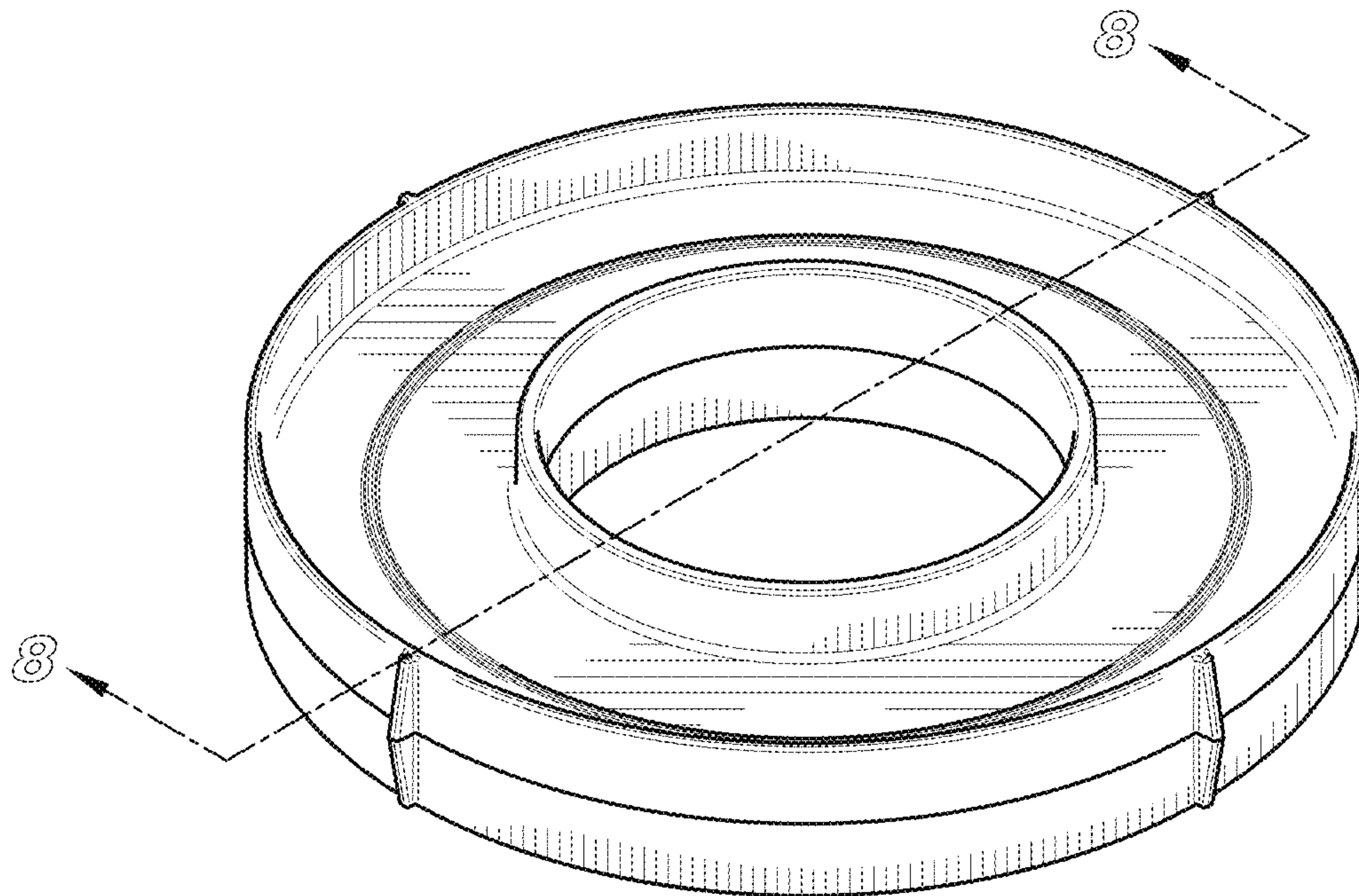


FIG. 2

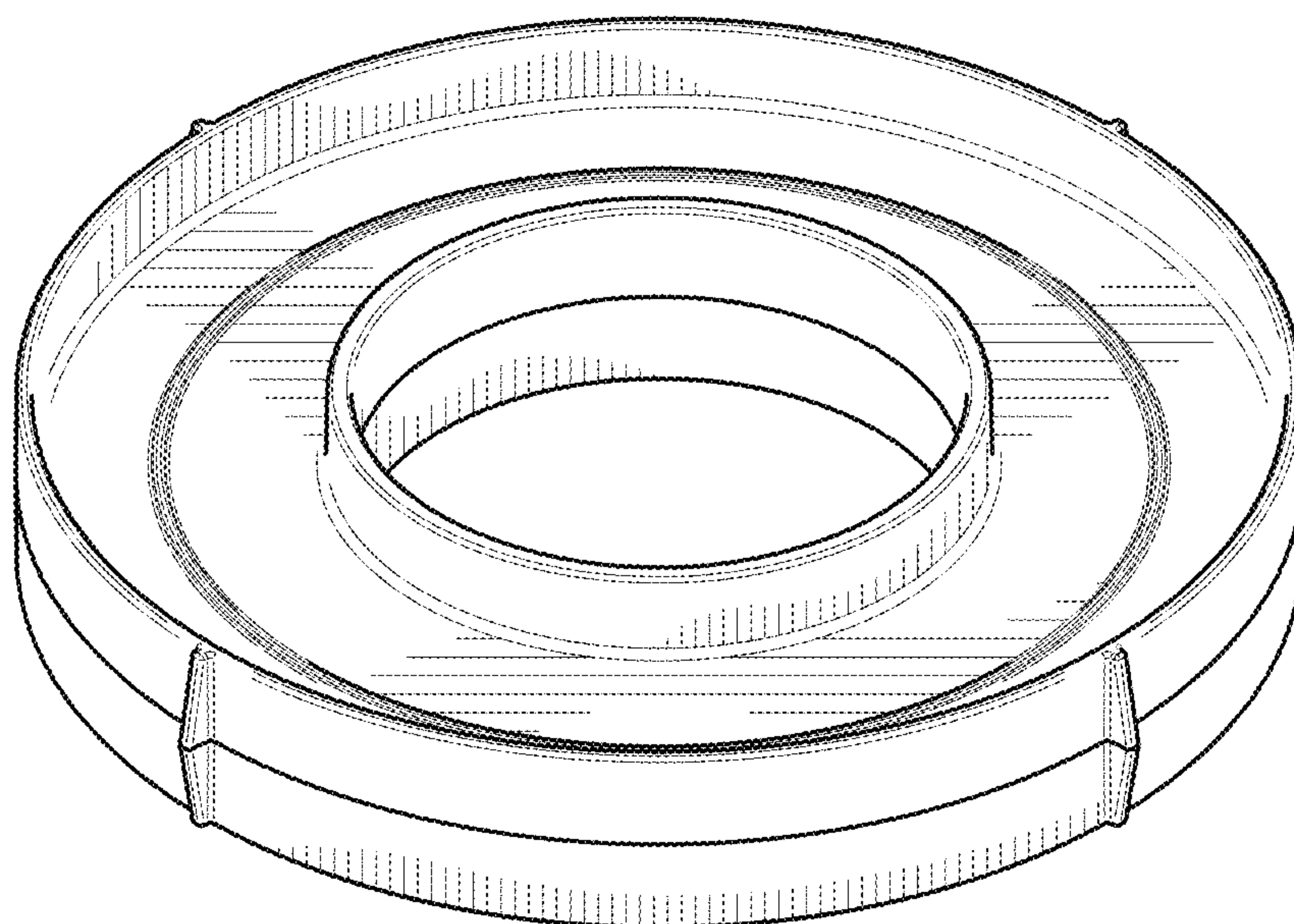


FIG. 3

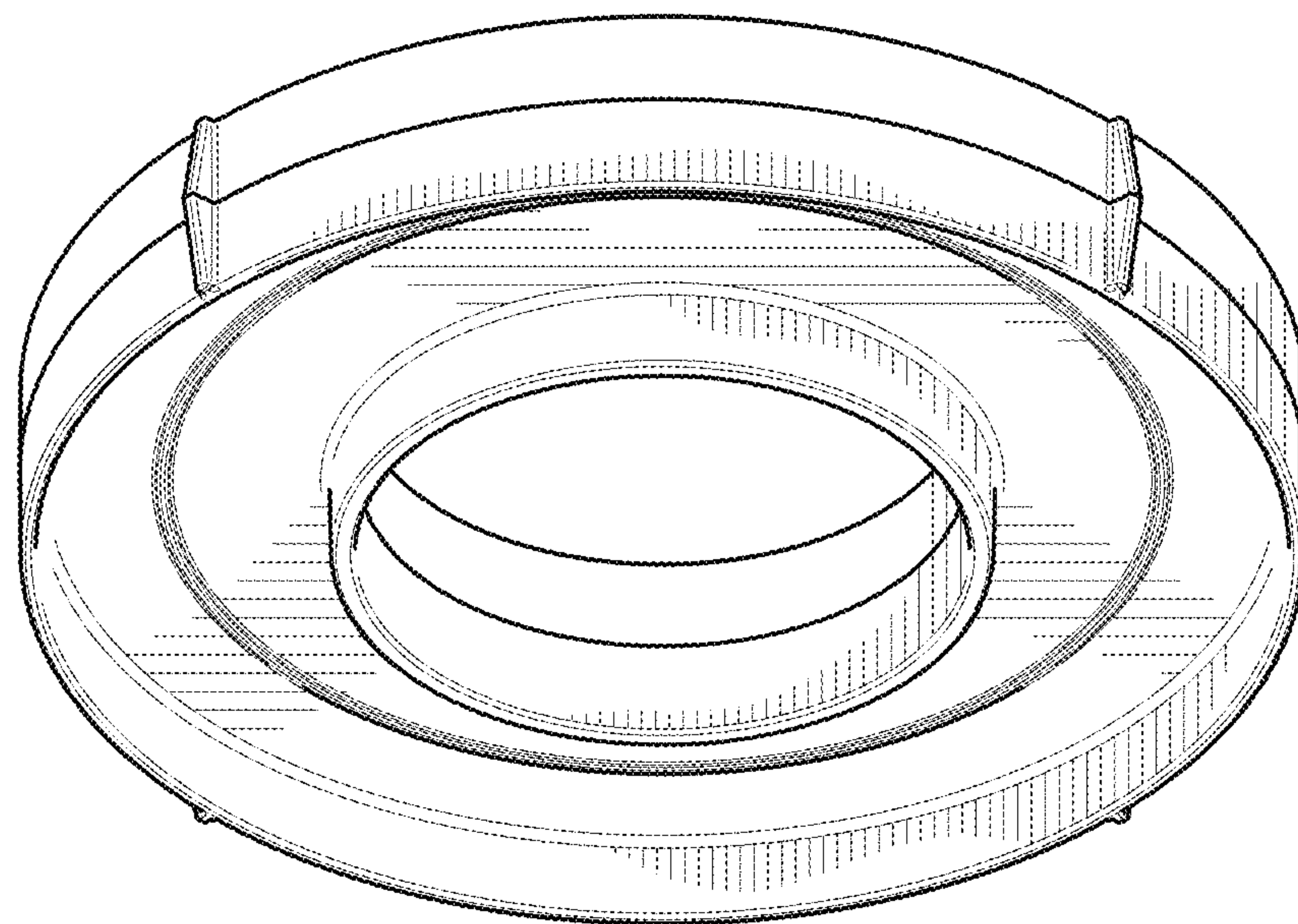


FIG. 4

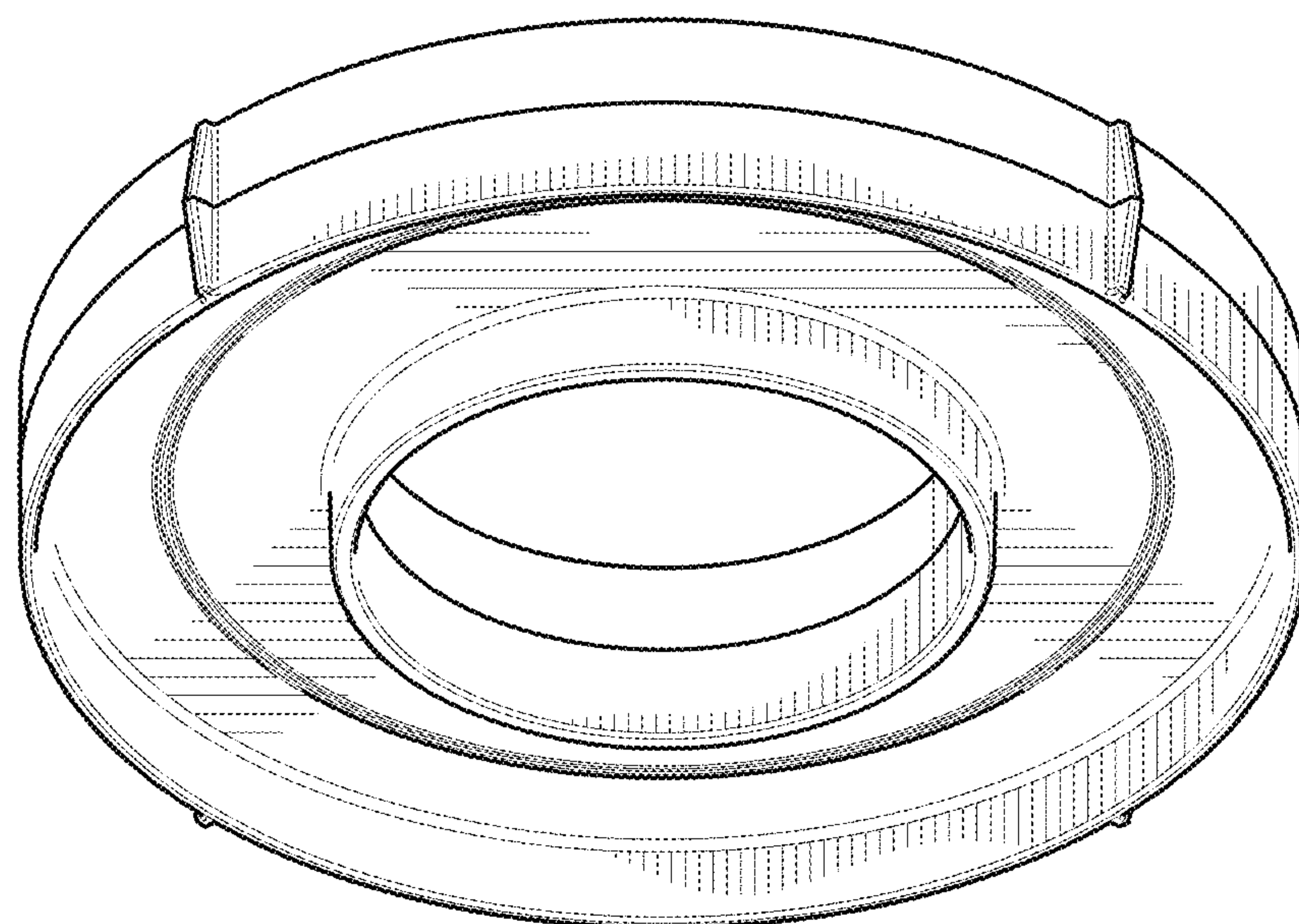


FIG. 5

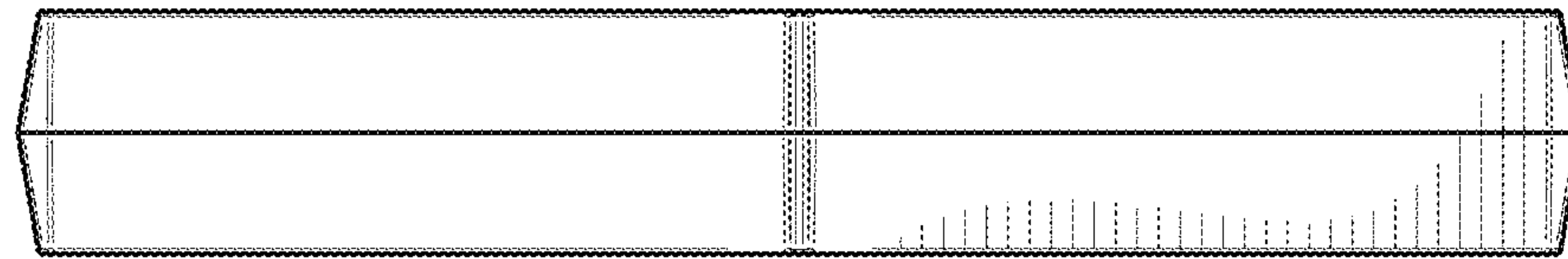


FIG. 6

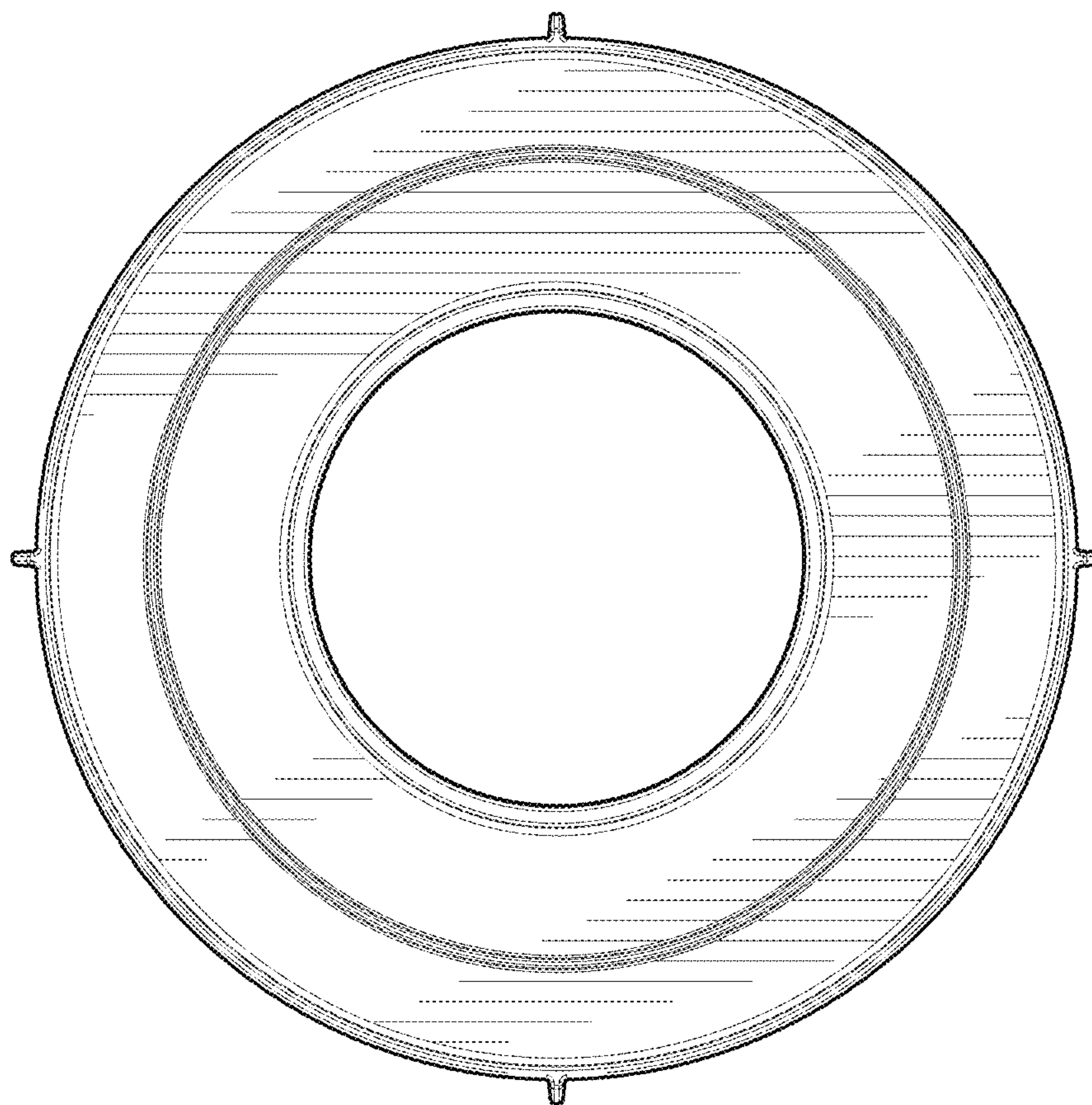


FIG. 7

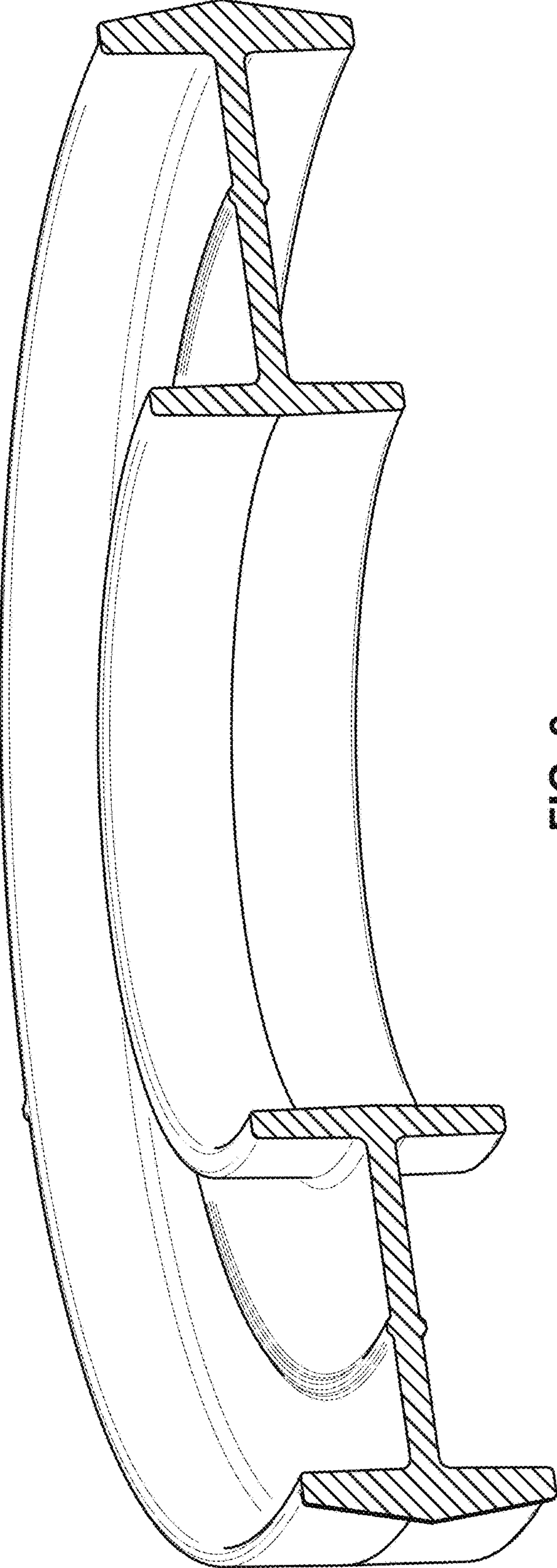


FIG. 8