



US00D806829S

(12) **United States Design Patent**  
**Kremerman**

(10) **Patent No.:** **US D806,829 S**

(45) **Date of Patent:** \*\* **\*Jan. 2, 2018**

(54) **DISTILLATION KEY**

(71) Applicant: **Elliot Kremerman**, Scotts Valley, CA  
(US)

(72) Inventor: **Elliot Kremerman**, Scotts Valley, CA  
(US)

(\*) Notice: This patent is subject to a terminal disclaimer.

(\*\*) Term: **15 Years**

(21) Appl. No.: **29/589,346**

(22) Filed: **Dec. 30, 2016**

(51) **LOC (11) Cl.** ..... **23-01**

(52) **U.S. Cl.**

USPC ..... **D23/207**

(58) **Field of Classification Search**

USPC ..... D23/207, 209, 213; 202/83, 255, 257,  
202/270; 203/81; D9/439, 544

CPC ..... B01D 3/04; B01D 3/008; B01D 5/0051;  
B01D 3/143

See application file for complete search history.

(56) **References Cited**

U.S. PATENT DOCUMENTS

D9,683 S *	12/1876	Steele	.....	D9/439
D23,176 S *	4/1894	Tatum	.....	D9/439
4,065,261 A	12/1977	Fukada		
D248,133 S	6/1978	Shames		
D248,134 S	6/1978	Shames		
4,316,294 A	2/1982	Baldwin		
4,346,059 A	8/1982	Spector		
4,349,042 A	9/1982	Shimizu		
4,370,543 A	1/1983	Nemeth		
4,597,404 A	7/1986	Van		
4,765,003 A	8/1988	Chang		
D364,917 S	12/1995	Wolf		
D392,371 S	3/1998	Holcombe		

D402,355 S	12/1998	Bahar		
D409,736 S	5/1999	Koehn		
D463,851 S	10/2002	Eastman		
D469,167 S	1/2003	Eastman		
D485,584 S *	1/2004	Lovullo	.....	D21/402
D550,819 S	9/2007	Seehoff		
D597,181 S	7/2009	Jones		
D604,809 S	11/2009	Mannella		
D610,225 S *	2/2010	Swain	.....	D23/209
D631,527 S *	1/2011	Swain	.....	B01D 35/153 D23/209
D673,247 S	12/2012	Eylon		
D680,628 S	4/2013	Houck		
D683,436 S	5/2013	Feliciano		
D690,794 S *	10/2013	Swain	.....	D23/209
D695,066 S	12/2013	Nakajima		
D728,078 S	4/2015	Scott		
D730,493 S	5/2015	Sehl		
D767,712 S *	9/2016	Huda	.....	D23/207

\* cited by examiner

*Primary Examiner* — Robin V Webster

(74) *Attorney, Agent, or Firm* — Michael J. Feigin, Esq.;  
Feigin & Fridman

(57) **CLAIM**

The ornamental design for a distillation key, as shown and described.

**DESCRIPTION**

FIG. 1 shows a top and side perspective view of a distillation key.

FIG. 2 shows a bottom and reverse side perspective view thereof.

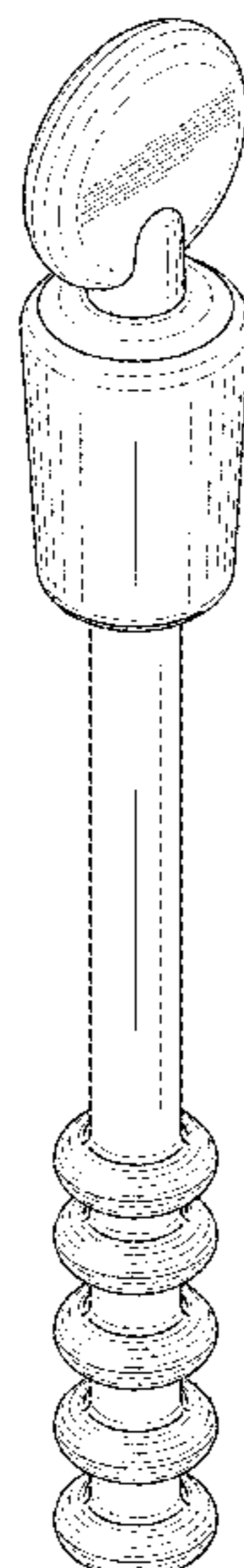
FIG. 3 shows a front view, the reverse side being a mirror image thereof.

FIG. 4 shows a side view, the reverse side being a mirror image thereof.

FIG. 5 shows a top plan view thereof; and,

FIG. 6 shows a bottom plan view thereof.

**1 Claim, 3 Drawing Sheets**



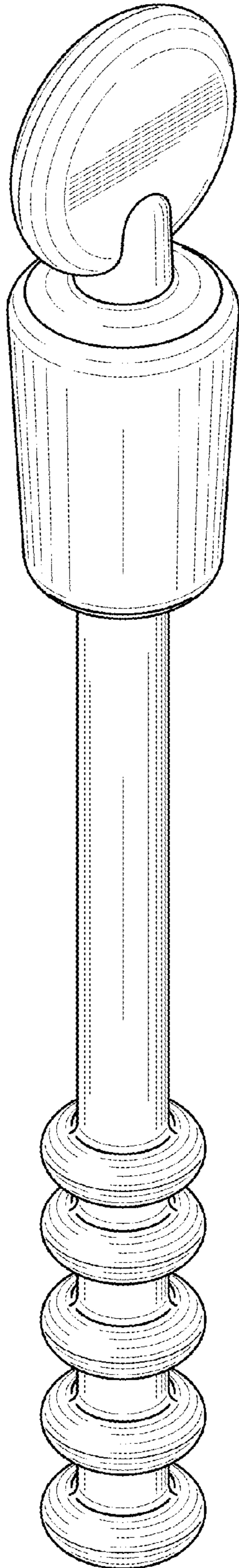


FIG. 1

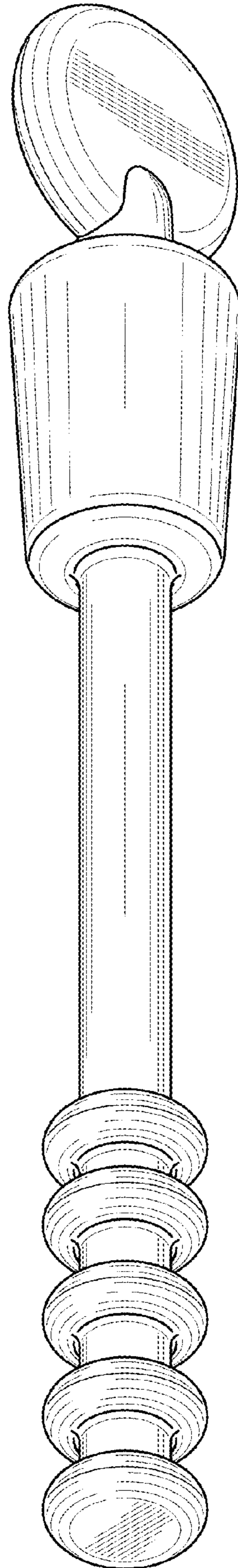


FIG. 2

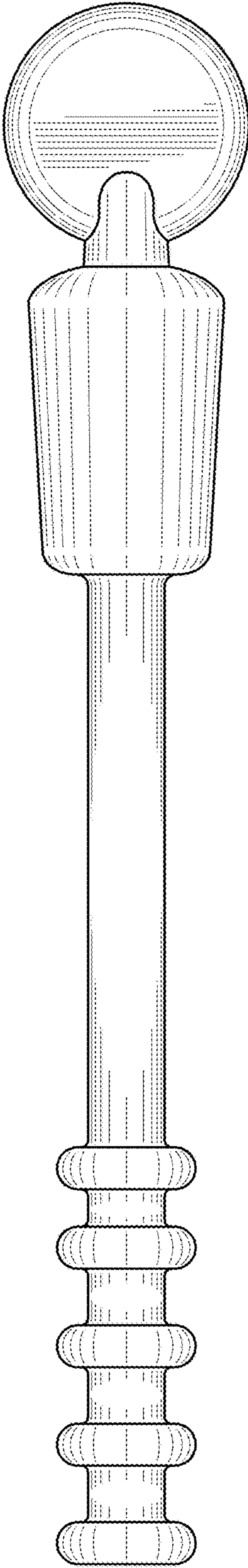


FIG. 3

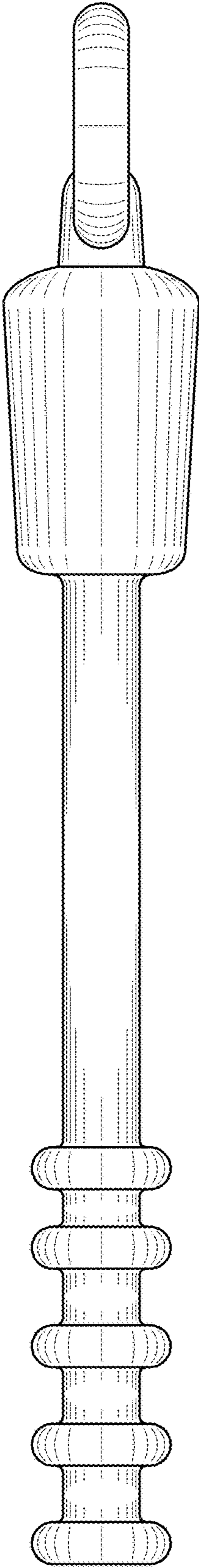


FIG. 4

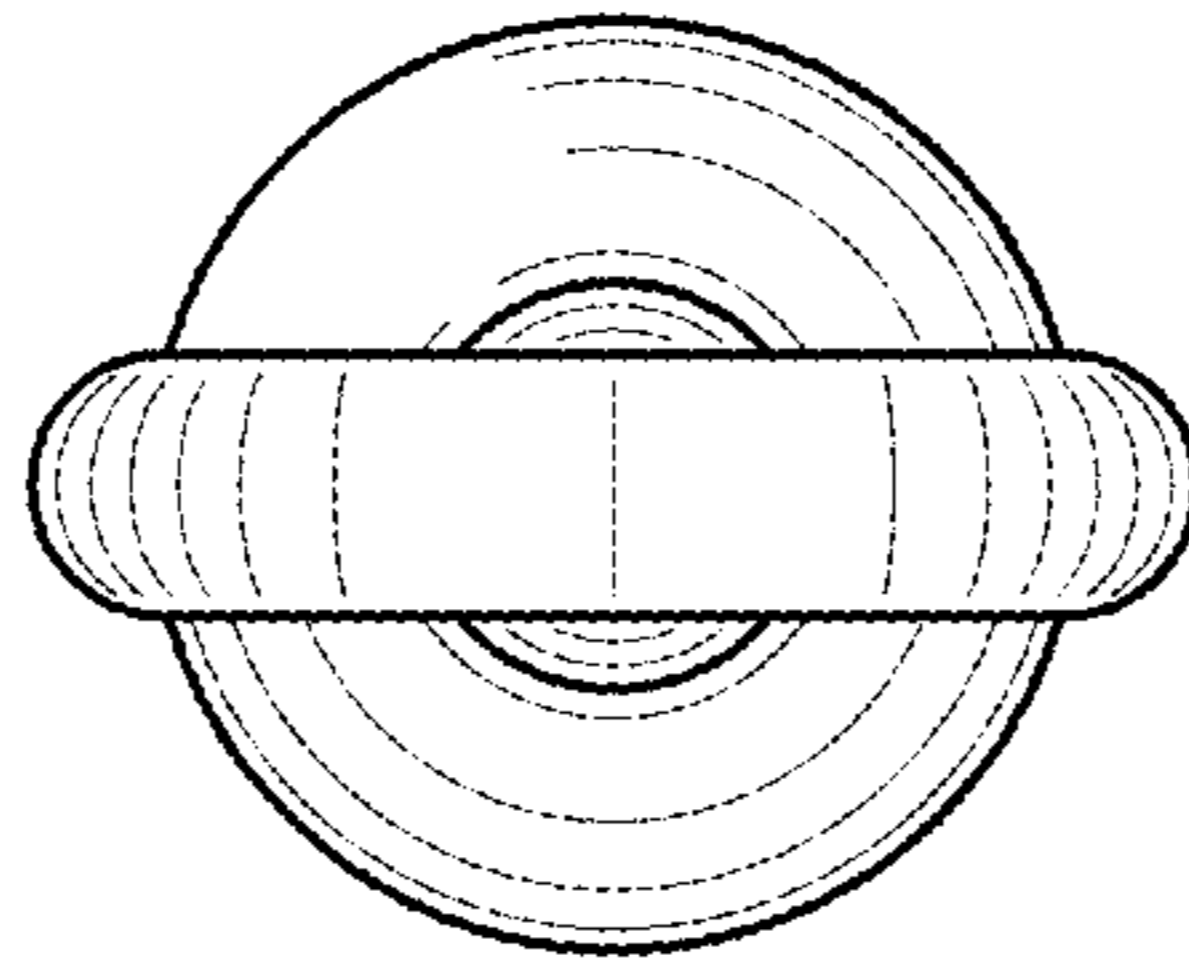


FIG. 5

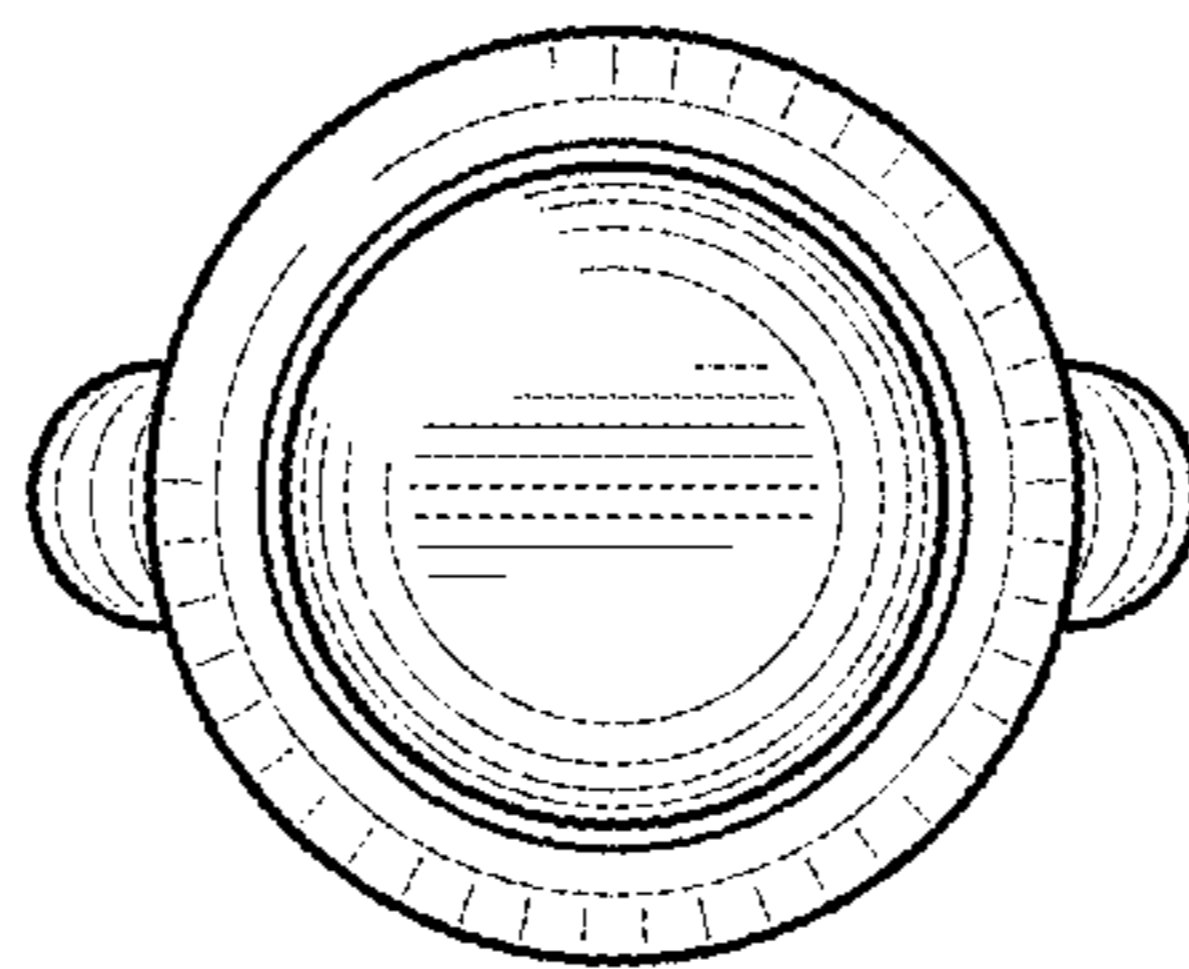


FIG. 6