



US00D806827S

(12) **United States Design Patent**
Mailhot et al.

(10) **Patent No.:** **US D806,827 S**
(45) **Date of Patent:** **** Jan. 2, 2018**

- (54) **DRAINAGE CHAMBER**
- (71) Applicant: **Advanced Drainage Systems Inc.**,
Hilliard, OH (US)
- (72) Inventors: **David Mailhot**, York, ME (US);
Michael Kuehn, Chester, CT (US)
- (73) Assignee: **Advanced Drainage Systems Inc.**,
Hilliard, OH (US)
- (**) Term: **15 Years**
- (21) Appl. No.: **29/572,720**
- (22) Filed: **Jul. 29, 2016**
- (51) **LOC (11) Cl.** **23-01**
- (52) **U.S. Cl.**
USPC **D23/207**
- (58) **Field of Classification Search**
USPC D23/200, 207, 209; 210/170.03; 405/43,
405/45, 49, 50, 53, 55; D25/36
CPC E02B 11/005; E03F 1/003; E03F 1/002;
E03F 1/005; E03F 5/101; B65G 5/00
See application file for complete search history.

(56) **References Cited**

U.S. PATENT DOCUMENTS

- D537,912 S * 3/2007 Benecke D23/207
- D638,095 S * 5/2011 DiTullio D23/202
- D668,318 S * 10/2012 DiTullio D23/207

- 8,366,346 B2 * 2/2013 DiTullio E03F 1/003
405/43
- 8,672,583 B1 * 3/2014 Mailhot E02B 11/005
405/42
- D737,927 S * 9/2015 DiTullio D23/207

* cited by examiner

Primary Examiner — Robin V Webster

(74) *Attorney, Agent, or Firm* — Finnegan, Henderson,
Farabow, Garrett & Dunner LLP

(57) **CLAIM**

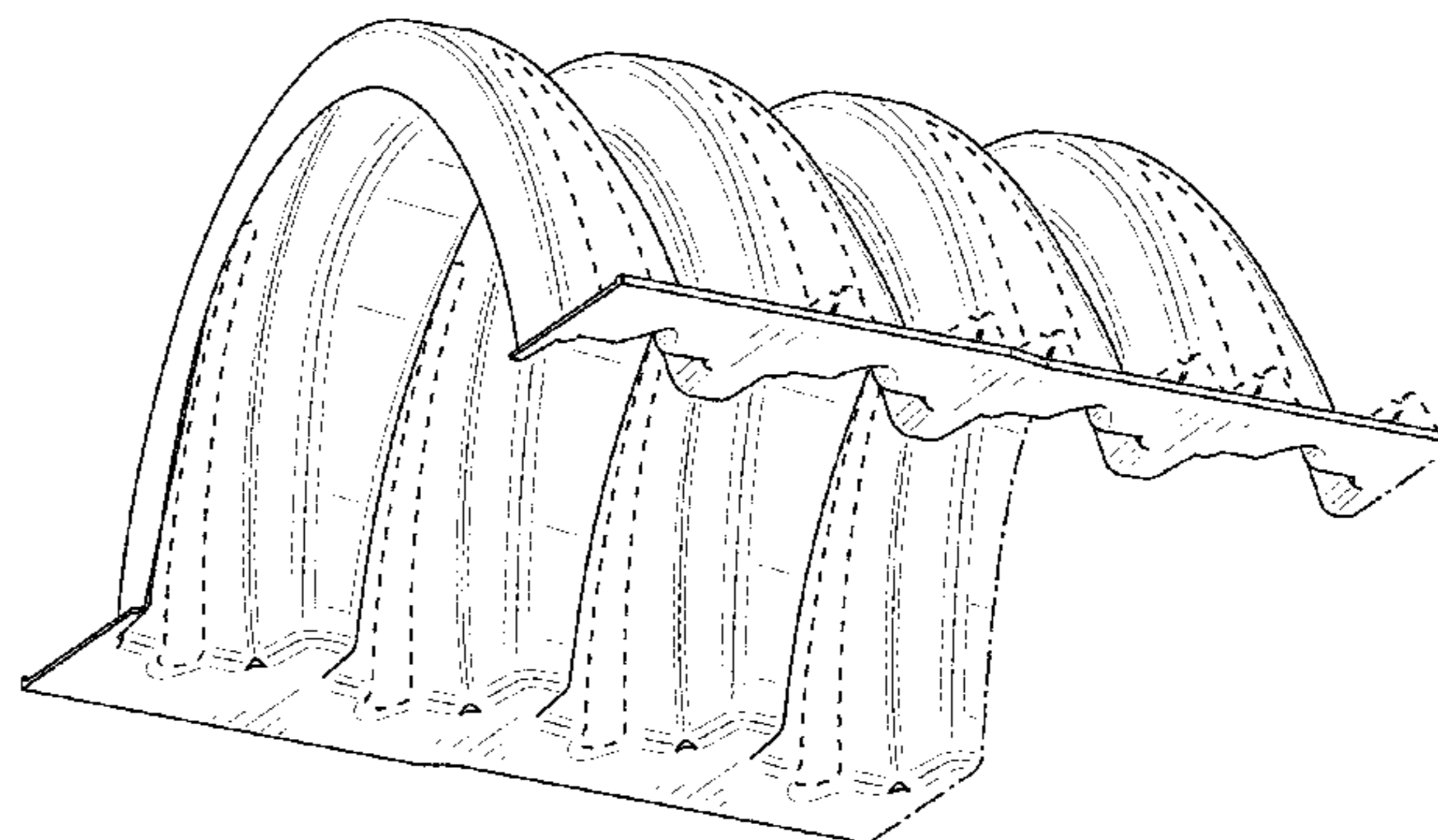
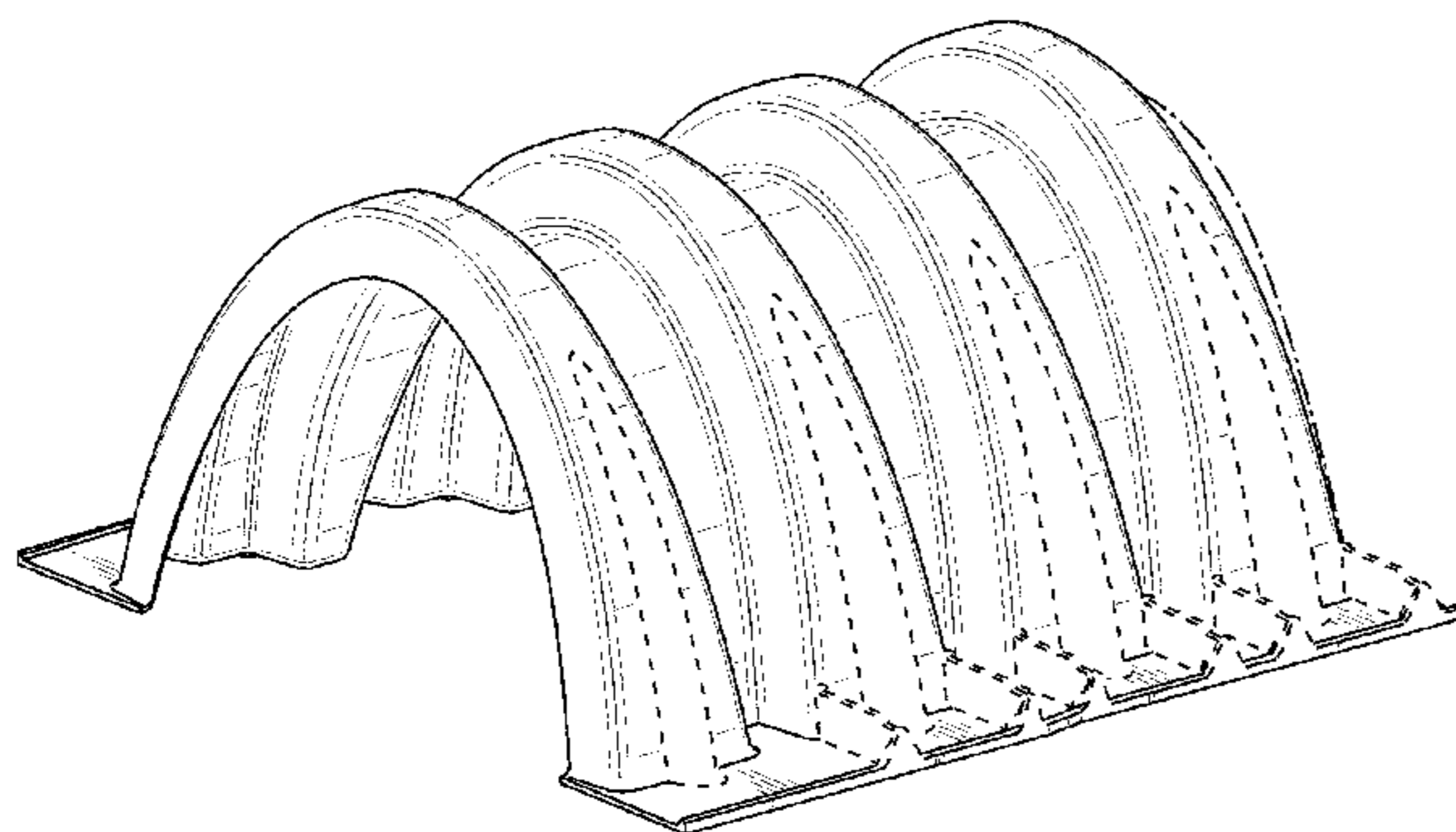
The ornamental design for a drainage chamber, as shown
and described.

DESCRIPTION

FIG. 1 is a front top right perspective view of a drainage
chamber showing the new design;
FIG. 2 is a front bottom right perspective view thereof;
FIG. 3 is a top plan view thereof;
FIG. 4 is a bottom plan view thereof;
FIG. 5 is a front elevation view thereof;
FIG. 6 is a rear elevation view thereof;
FIG. 7 is a right side view thereof, the left view being a
mirror image thereof; and,
FIG. 8 is an enlarged, detailed view of a portion of the top
plan view, as shown in FIG. 3.

The shape of the edge of the drainage chamber illustrated in
FIG. 8 is mirrored on the opposite side. The broken lines of
even length shown in the drawings depict portions of the
drainage chamber that form no part of the claimed design.
The broken lines of uneven length shown in the drawings
show the boundary of the claimed design.

1 Claim, 7 Drawing Sheets



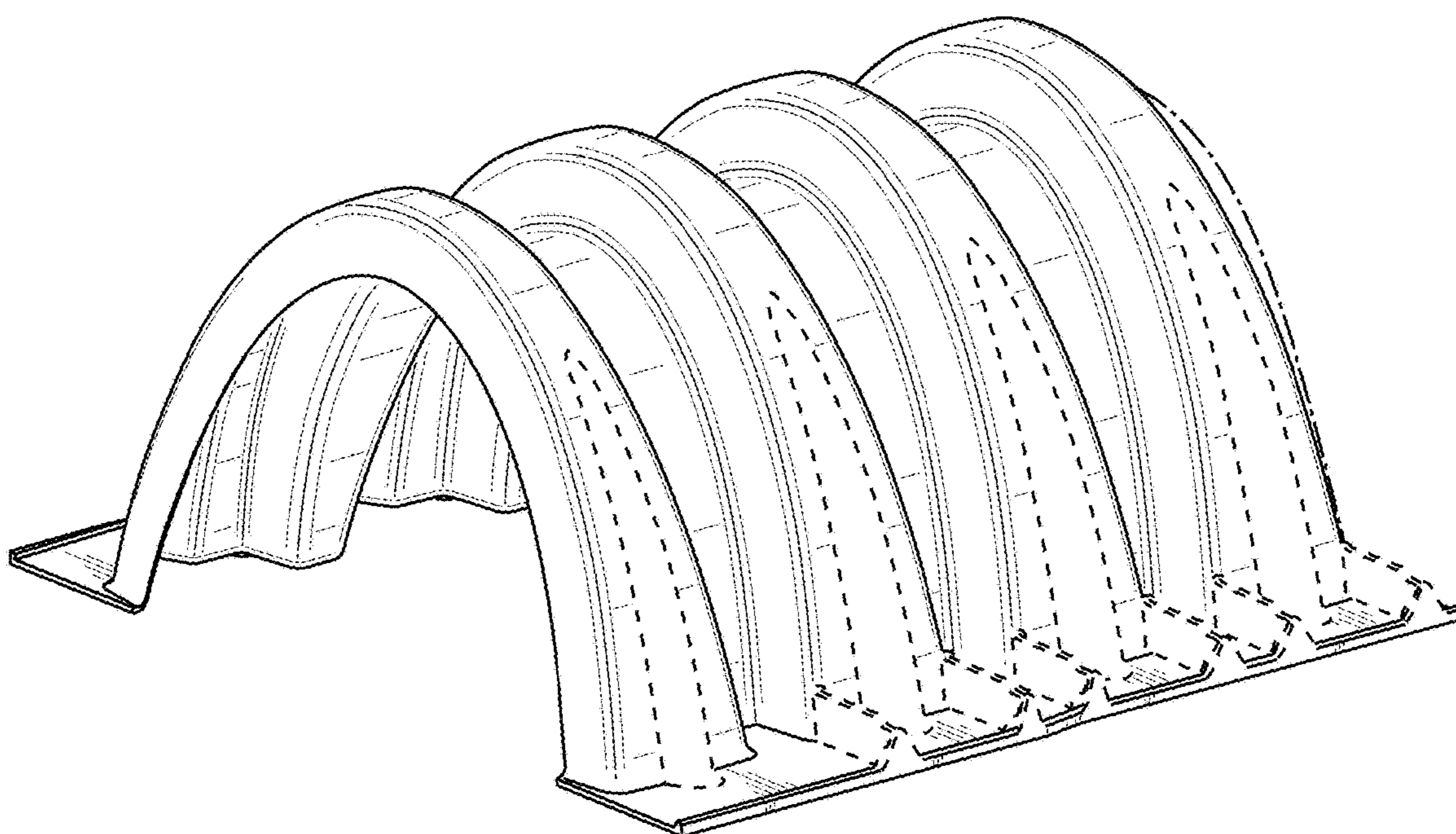


FIG. 1

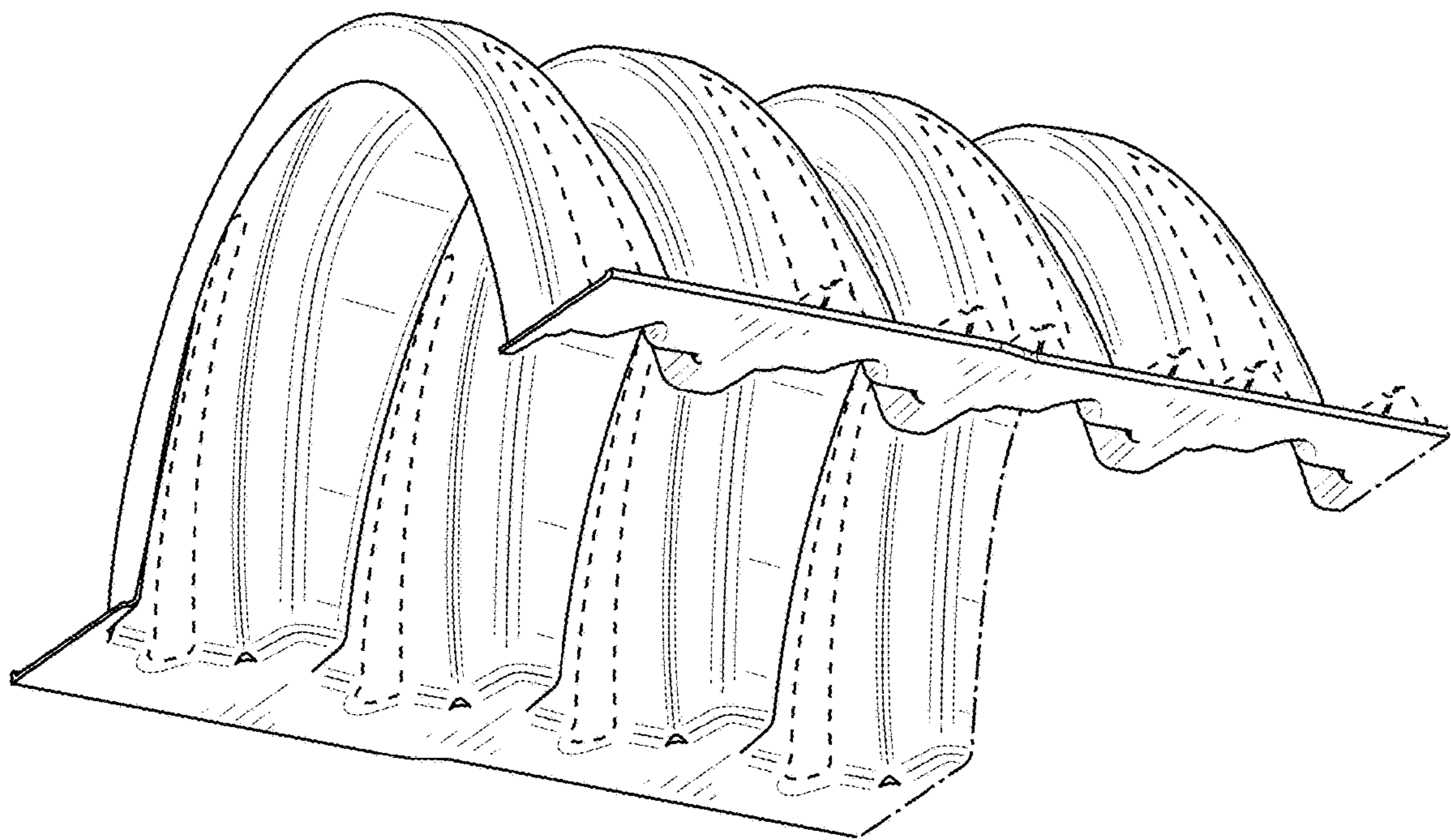


FIG. 2

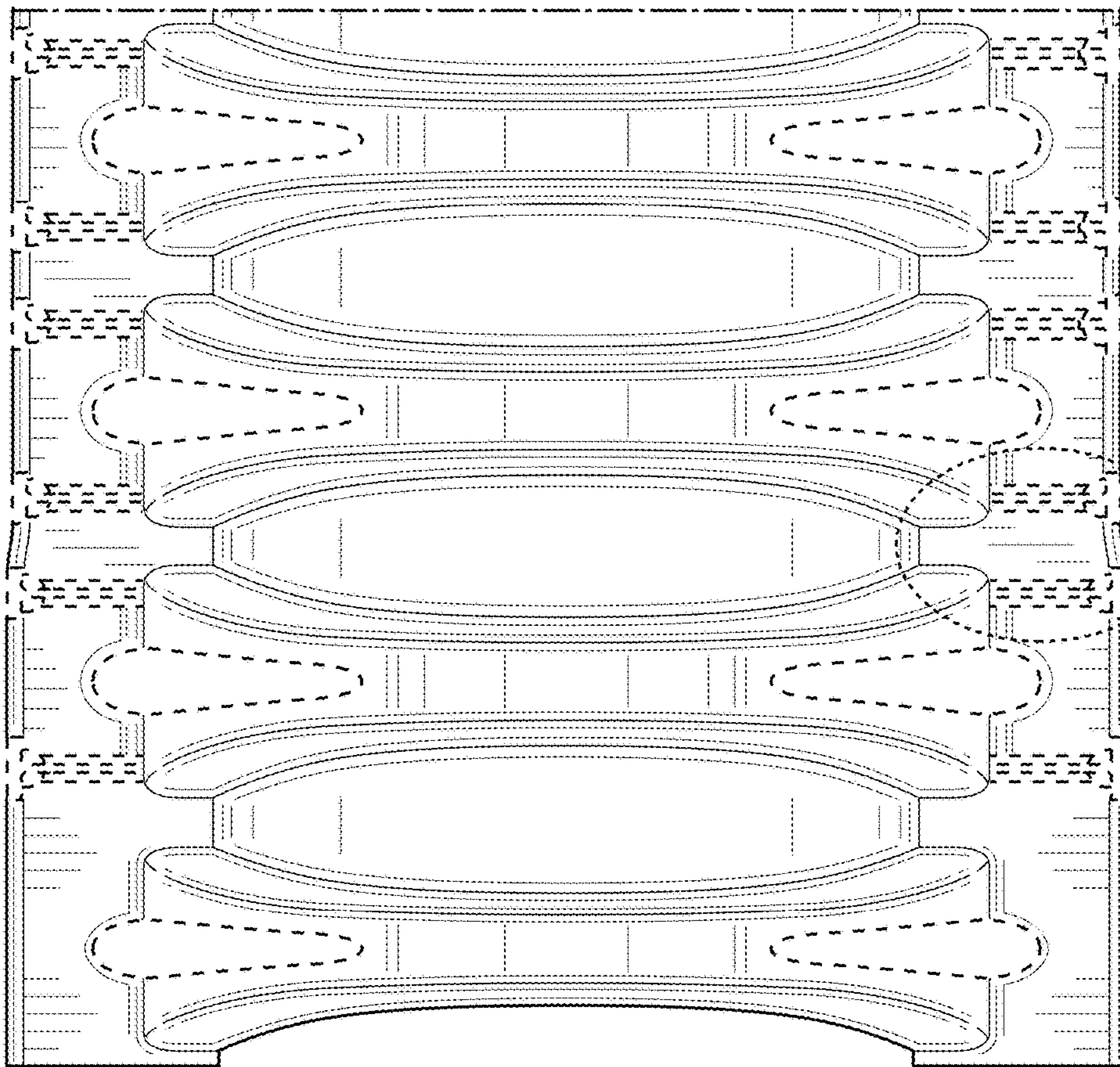


FIG. 8

FIG. 3

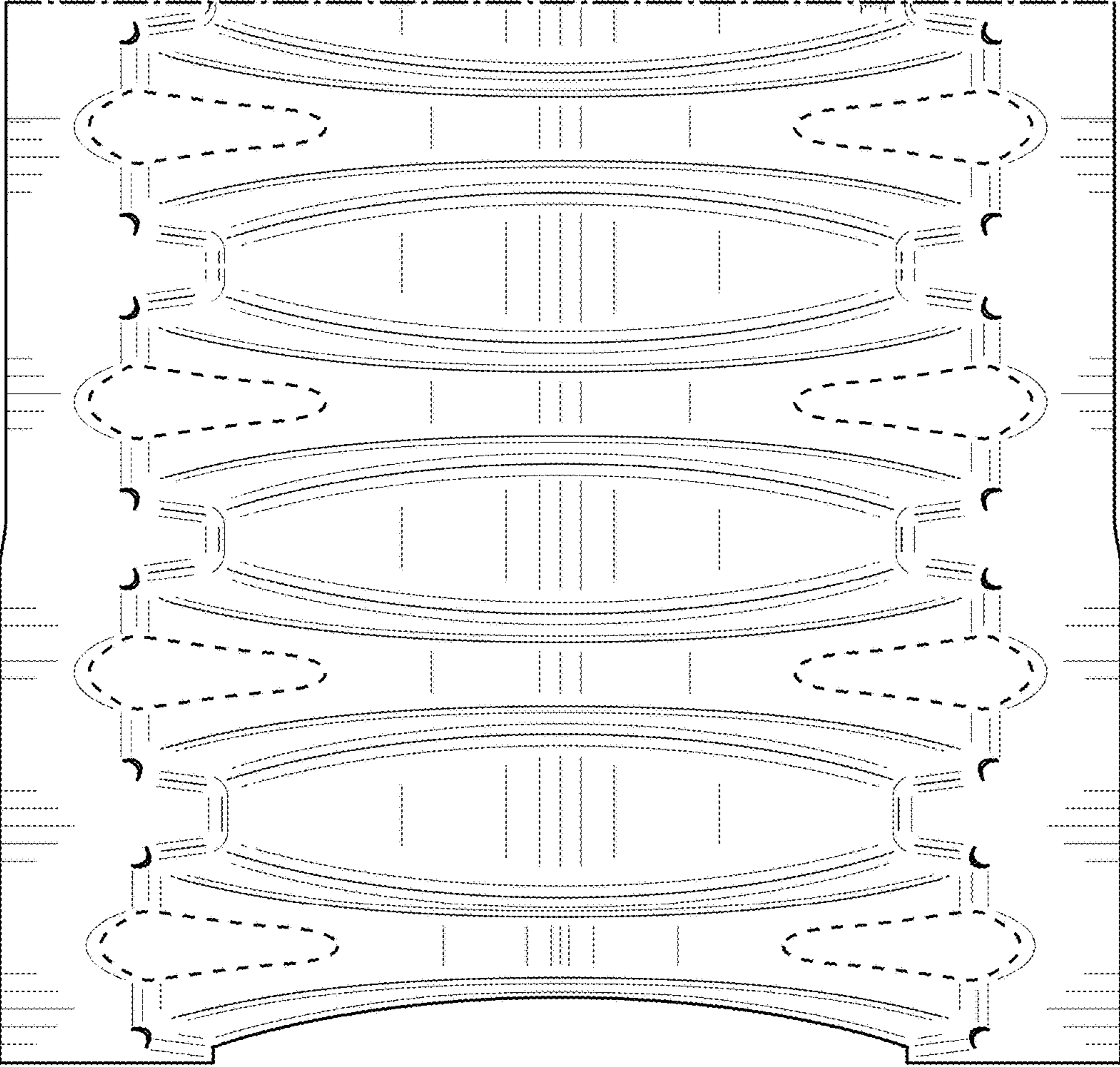


FIG. 4

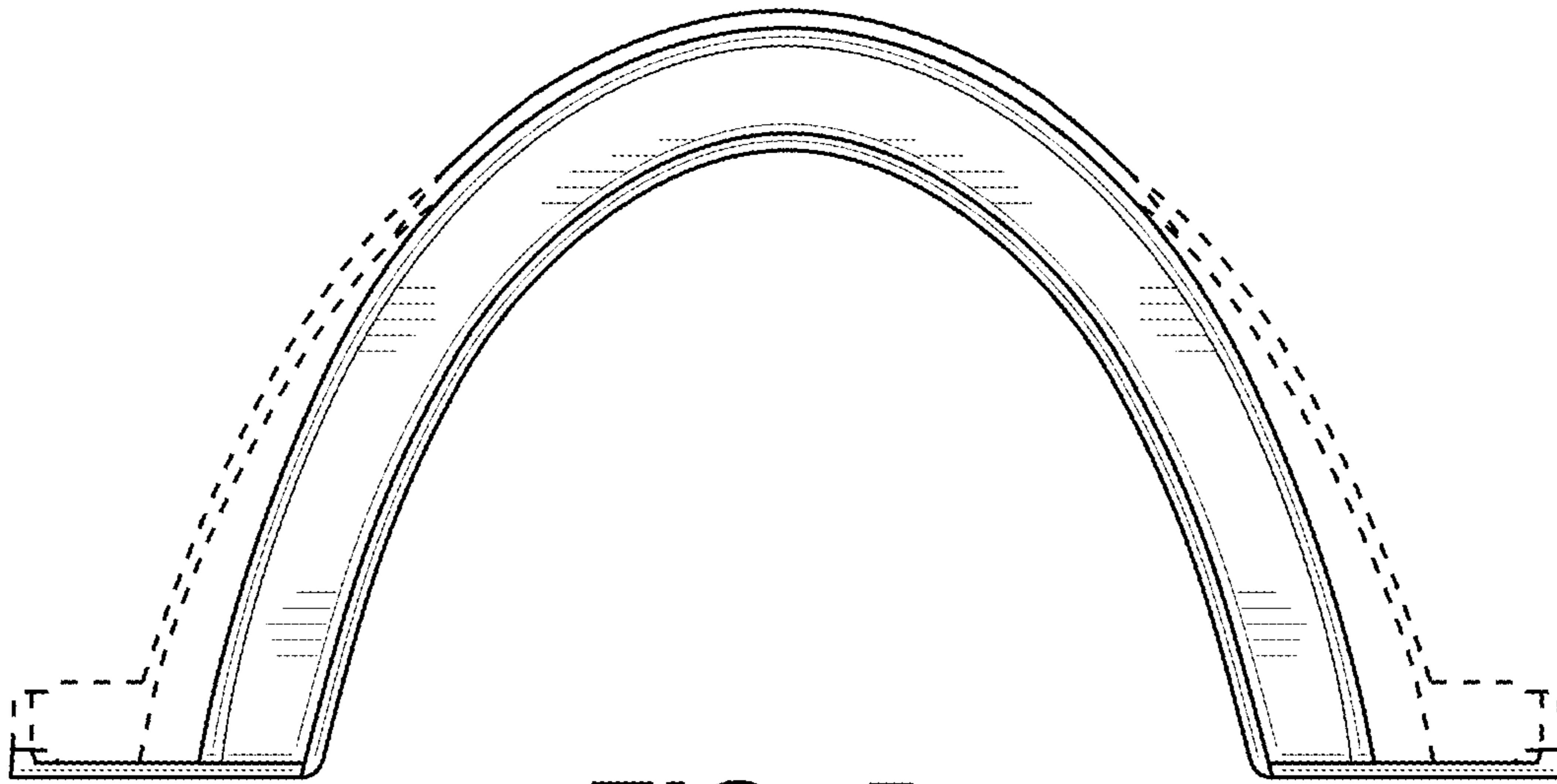


FIG. 5

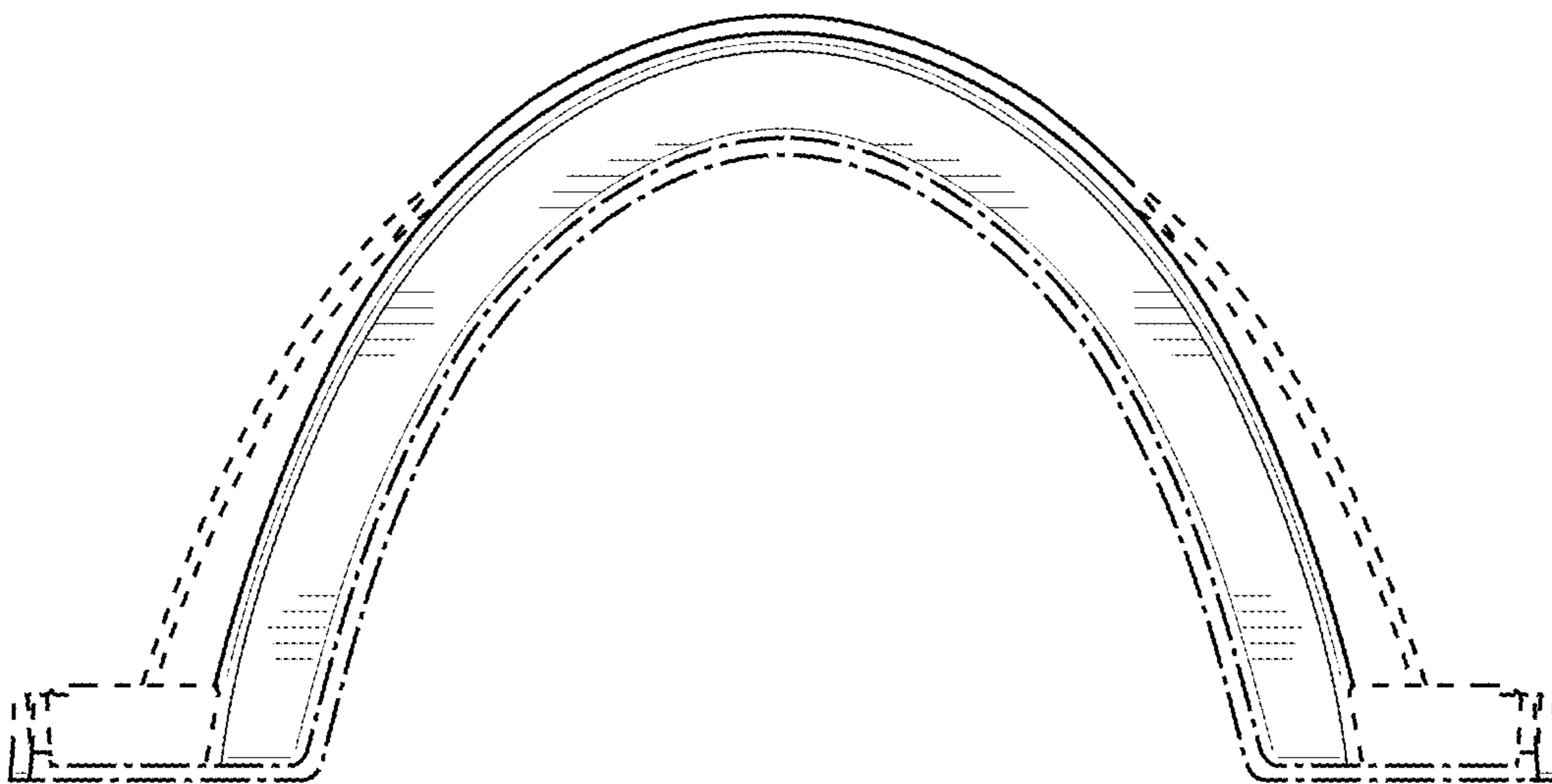


FIG. 6

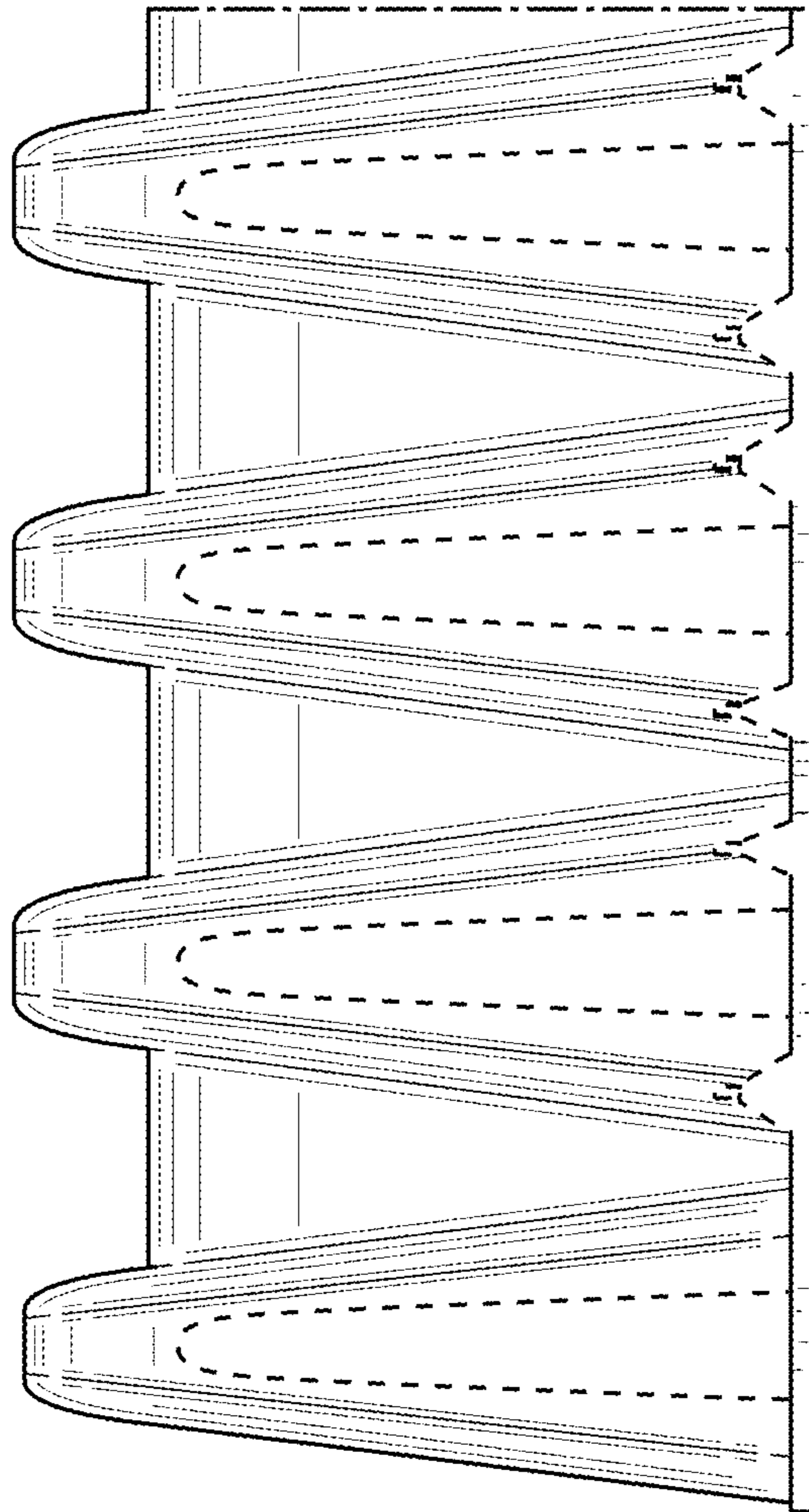


FIG. 7

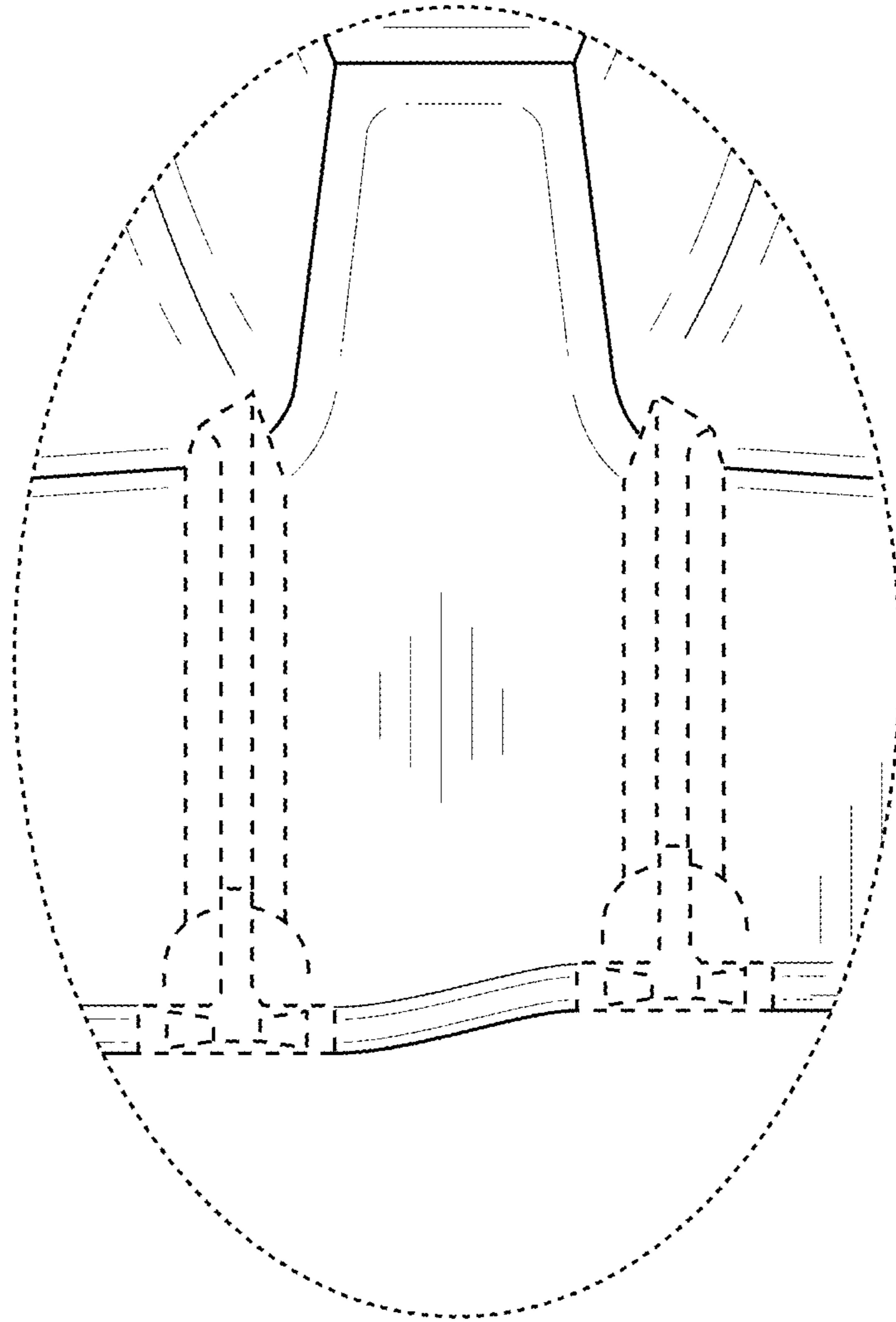


FIG. 8