



US00D806826S

(12) **United States Design Patent** (10) **Patent No.:** **US D806,826 S**  
**Larsen et al.** (45) **Date of Patent:** **\*\* Jan. 2, 2018**

(54) **WALL MOUNTABLE REMOTE INDICATOR FOR A WATER SYSTEM**

(71) Applicant: **Hach Company**, Loveland, CO (US)

(72) Inventors: **Michael John Larsen**, Windsor, CO (US); **Jonathan Paul Janney**, Cheyenne, WY (US); **Paul Perlic**, Windsor, CO (US); **Alexander Evan Roeca**, Colorado Springs, CO (US)

(73) Assignee: **Hach Company**, Loveland, CO (US)

(\*\*) Term: **15 Years**

(21) Appl. No.: **29/569,867**

(22) Filed: **Jun. 30, 2016**

(51) **LOC (11) Cl.** ..... **23-01**

(52) **U.S. Cl.**  
USPC ..... **D23/200**; D13/162; D10/99

(58) **Field of Classification Search**  
USPC ..... D23/200; D10/46, 104.1, 99; D13/162; 137/624.11; 4/508; 340/679  
CPC ..... F16K 31/48  
See application file for complete search history.

(56) **References Cited**

**U.S. PATENT DOCUMENTS**

D92,691 S \* 7/1934 Abbott ..... D10/100  
D299,516 S \* 1/1989 Wang ..... D23/200  
4,937,746 A \* 6/1990 Brundisini ..... A01G 25/16  
137/624.11  
D344,782 S \* 3/1994 Fritz ..... D15/199  
D371,422 S \* 7/1996 Pearson ..... D23/200

6,491,062 B1 \* 12/2002 Croft ..... F17D 5/06  
137/624.11  
D508,427 S \* 8/2005 Kaczmarek ..... D10/104.1  
D631,446 S \* 1/2011 Lanfear ..... D13/162  
7,934,517 B2 \* 5/2011 Morrison ..... E04H 4/12  
137/428  
D651,685 S \* 1/2012 Honzelka ..... D13/162  
D669,440 S \* 10/2012 Wu ..... D13/162  
D744,961 S \* 12/2015 Franchini ..... D10/40  
D752,178 S \* 3/2016 Mjelde ..... D23/208

\* cited by examiner

*Primary Examiner* — Robin V Webster

(74) *Attorney, Agent, or Firm* — Ference & Associates, LLC

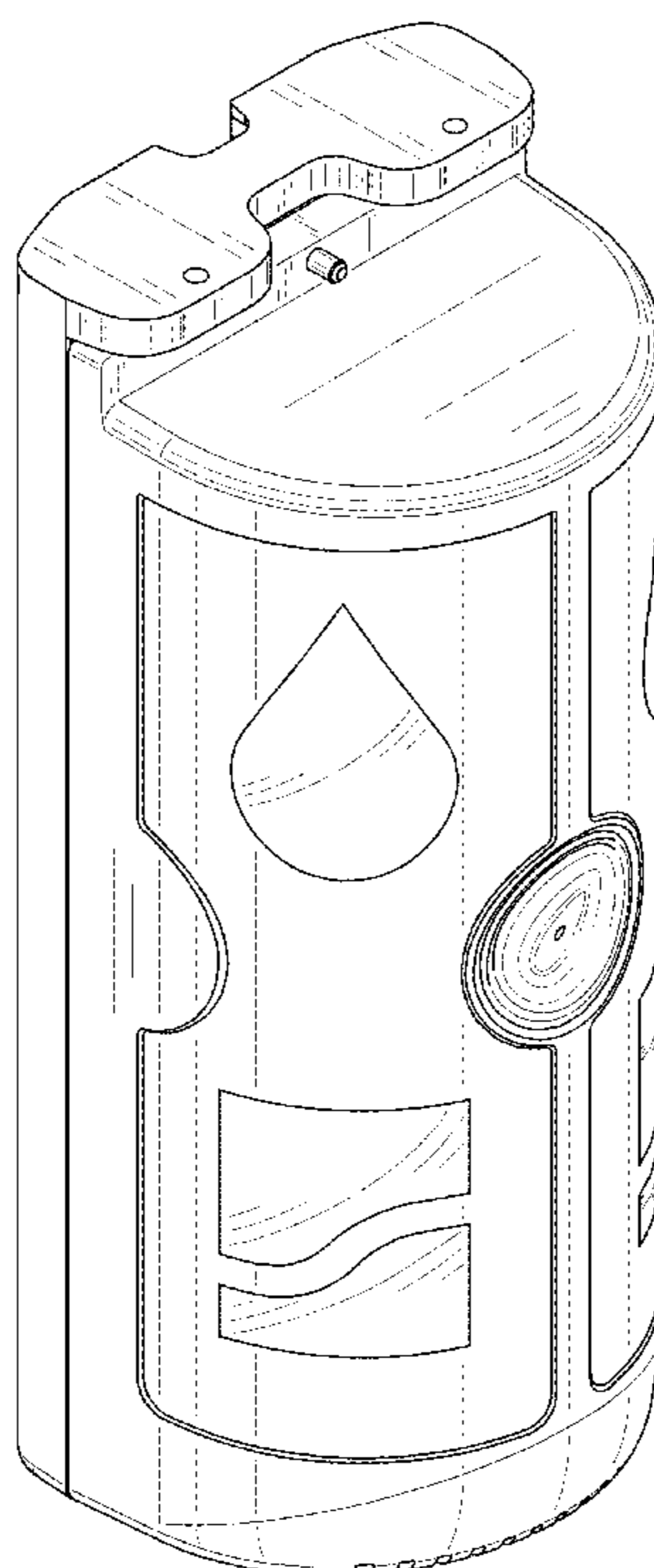
(57) **CLAIM**

The ornamental design for a wall mountable remote indicator for a water system, as shown and described.

**DESCRIPTION**

FIG. 1 is a top-perspective view of the wall mountable remote indicator for a water system;  
FIG. 2 is a bottom-perspective view thereof;  
FIG. 3 is a front view thereof;  
FIG. 4 is a back (or rear) view thereof;  
FIG. 5 is a left side view thereof;  
FIG. 6 is a right side view thereof;  
FIG. 7 is a top view thereof; and,  
FIG. 8 is a bottom view thereof.

**1 Claim, 8 Drawing Sheets**



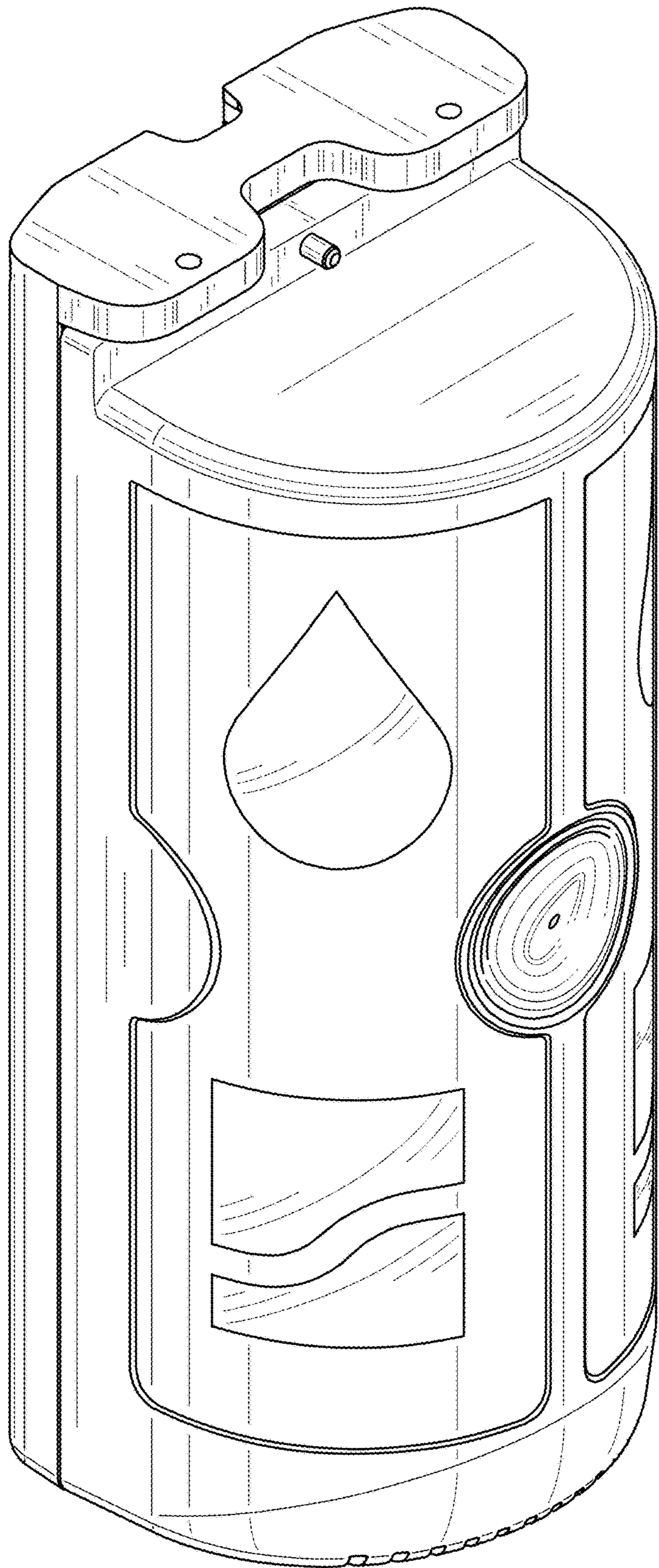


FIG. 1

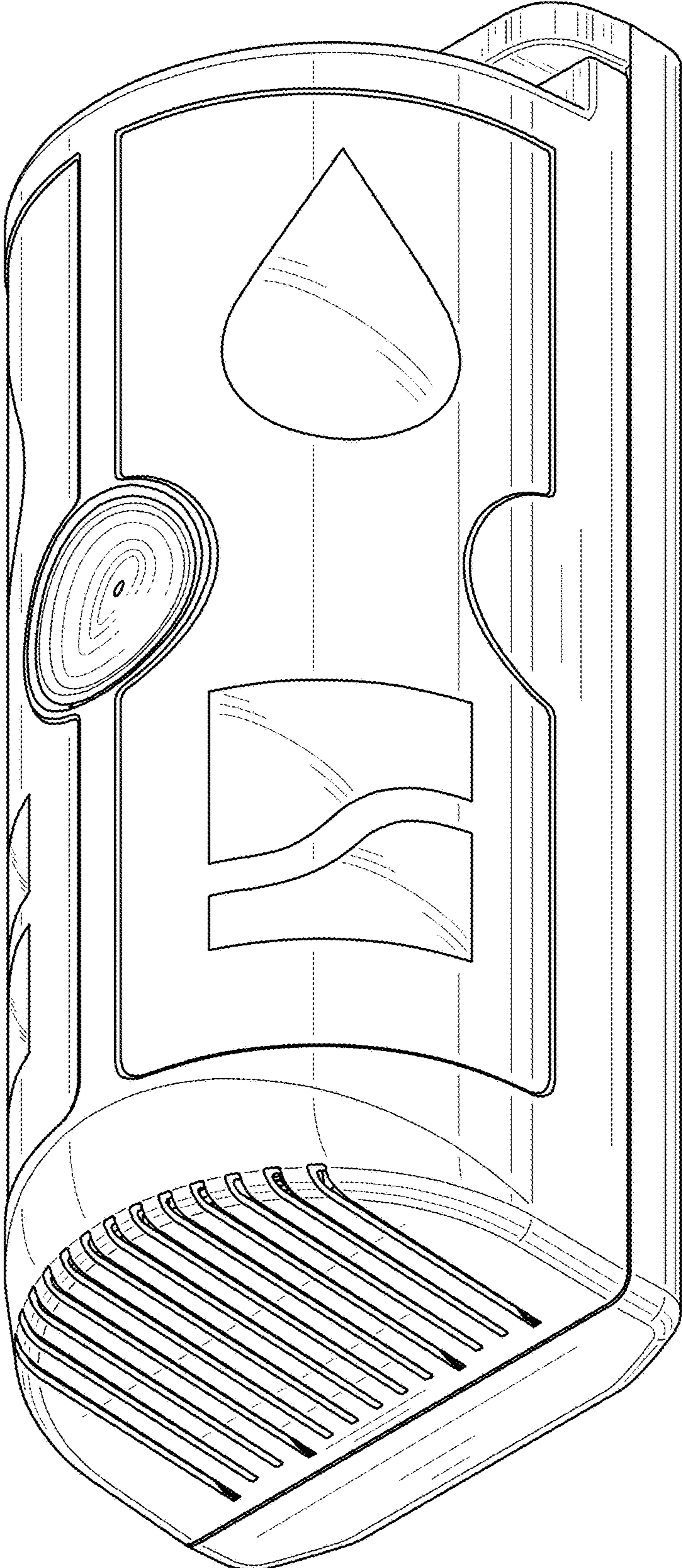


FIG. 2

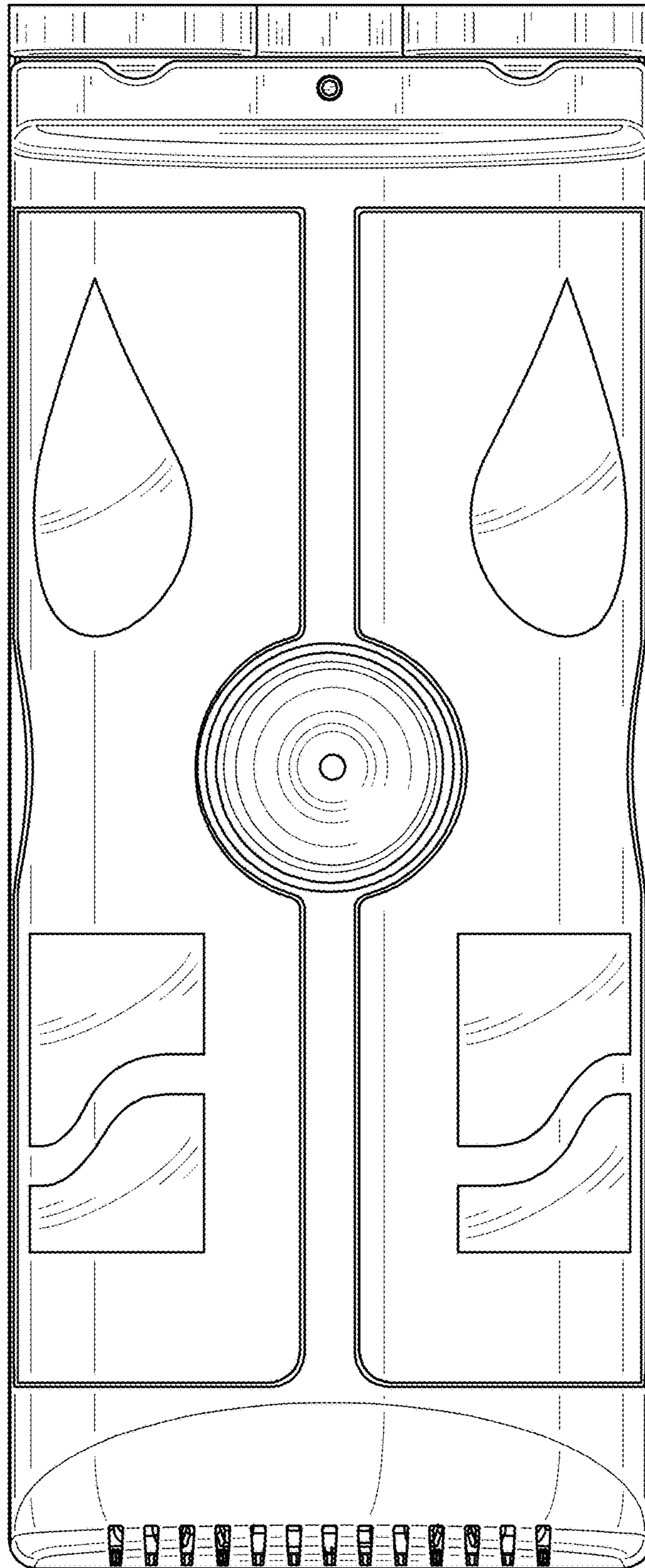


FIG. 3

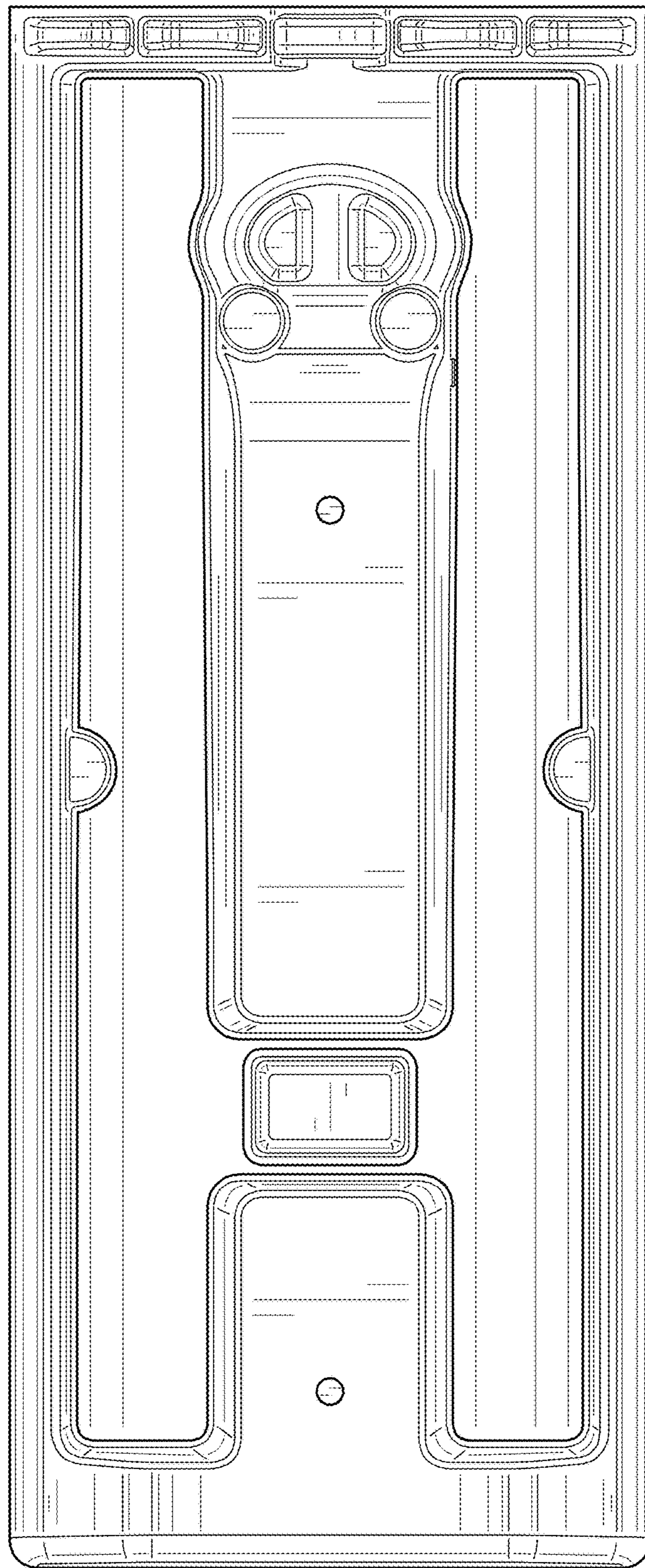


FIG. 4

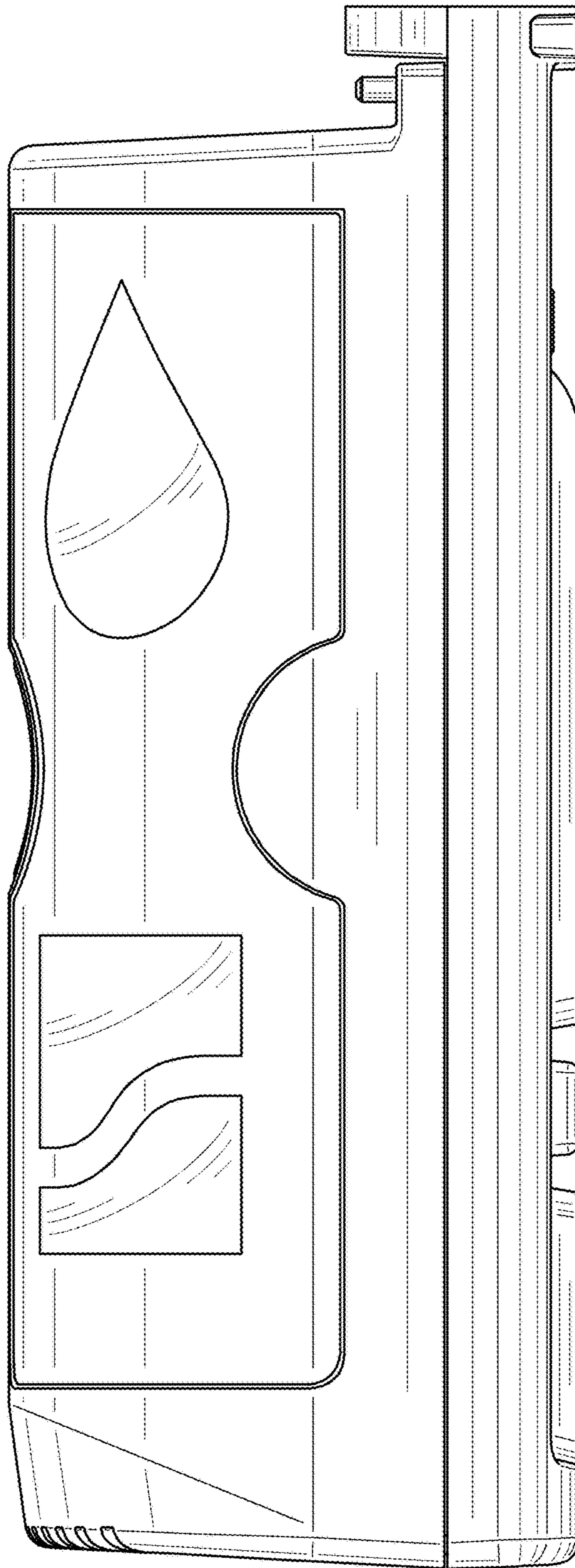


FIG. 5

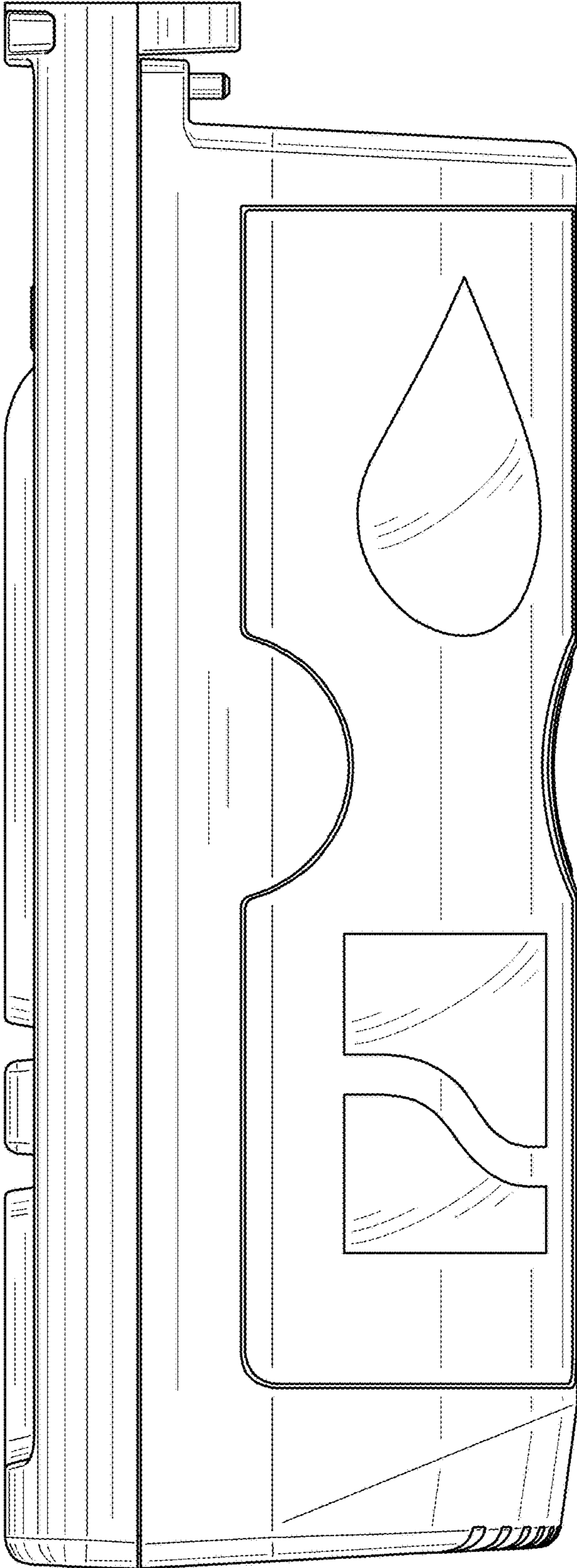


FIG. 6

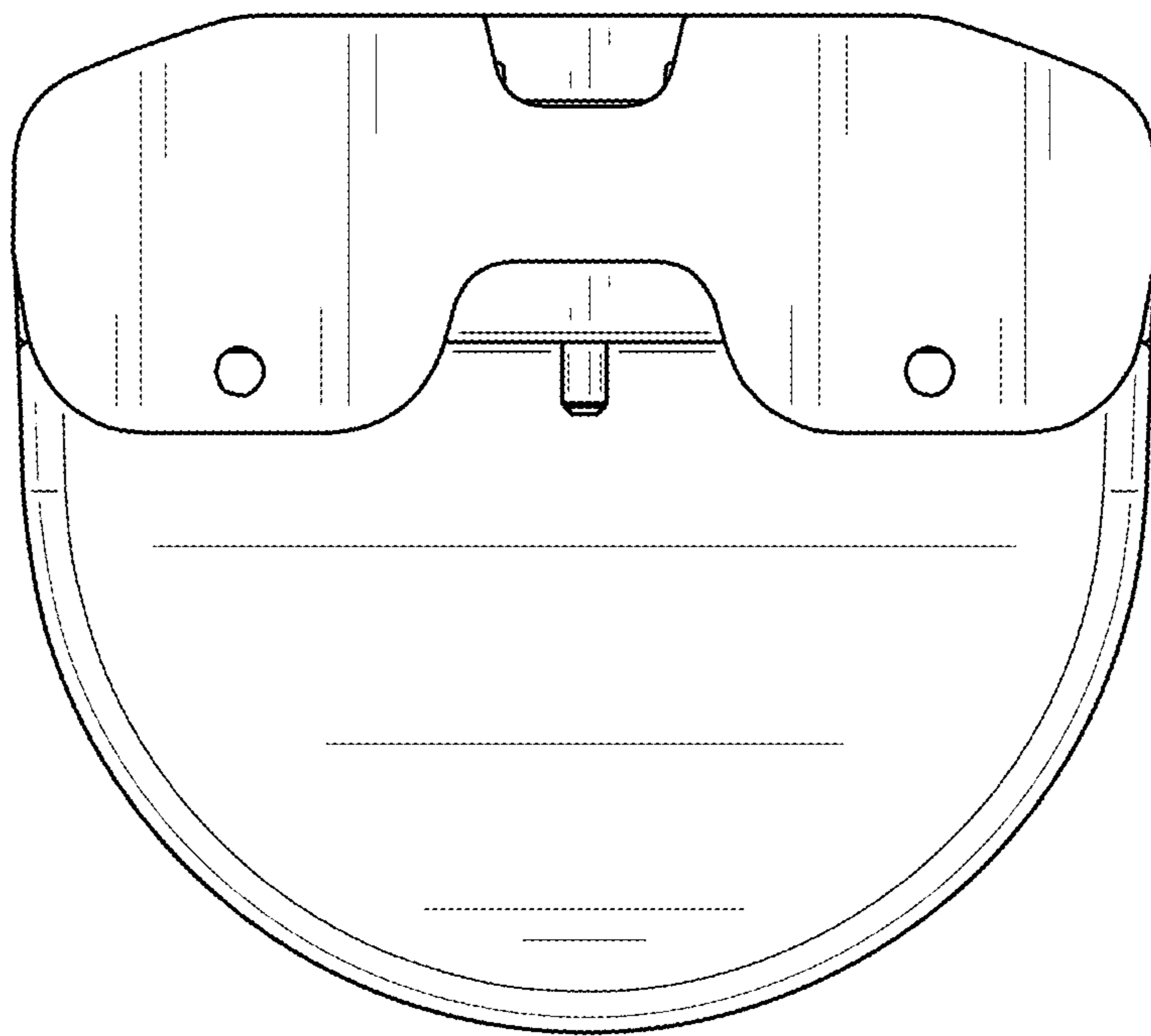


FIG. 7



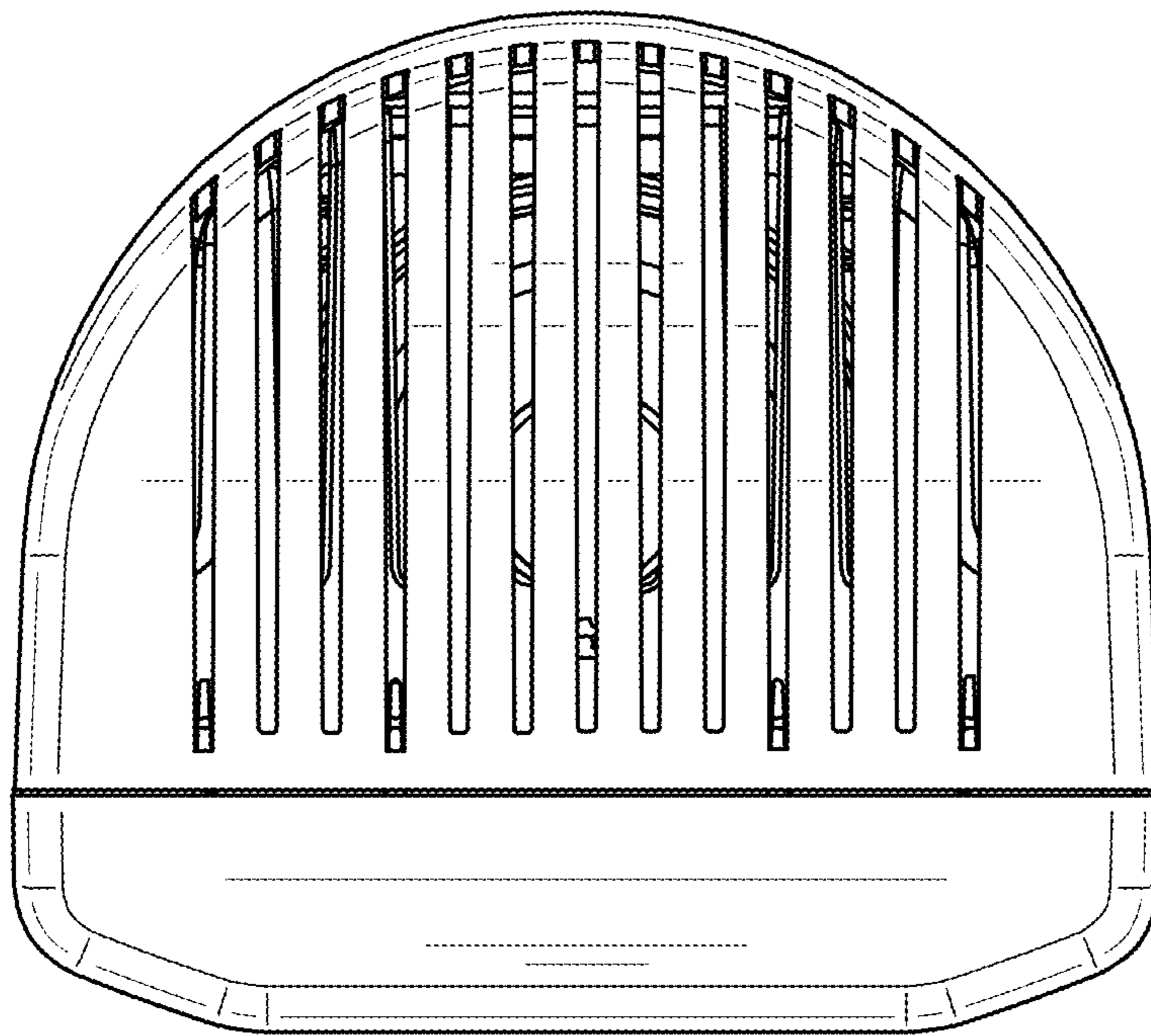


FIG. 8