



US00D806824S

(12) **United States Design Patent**  
**Fan**

(10) **Patent No.:** **US D806,824 S**  
(45) **Date of Patent:** **\*\* Jan. 2, 2018**

- (54) **ELECTRIC STUN GUN**
- (71) Applicant: **Cutting Edge Products, Inc.**,  
Winterville, NC (US)
- (72) Inventor: **Zhigang Fan**, Jingjiang (CN)
- (73) Assignee: **Cutting Edge Products, Inc.**,  
Winterville, NC (US)
- (\*\*) Term: **15 Years**
- (21) Appl. No.: **29/588,918**
- (22) Filed: **Dec. 23, 2016**
- (51) **LOC (11) Cl.** ..... **22-02**
- (52) **U.S. Cl.**  
USPC ..... **D22/117**
- (58) **Field of Classification Search**  
USPC ..... D22/117-120; 42/1.08; 222/78-79,  
222/153.03, 153.11, 162, 175; 89/1.11  
CPC ..... F41B 15/04; G08B 21/0446; H05B 3/03;  
H05B 3/44  
See application file for complete search history.

- D744,059 S \* 11/2015 Fan ..... D22/117
- D747,522 S \* 1/2016 Sheikh ..... D22/117
- D750,729 S \* 3/2016 Sheikh ..... D22/117

\* cited by examiner

*Primary Examiner* — Catherine R Oliver-Garcia  
(74) *Attorney, Agent, or Firm* — Mitchell Law PLLC;  
Matthew W. Mitchell

(57) **CLAIM**

The ornamental design for an electric stun gun, as shown.

**DESCRIPTION**

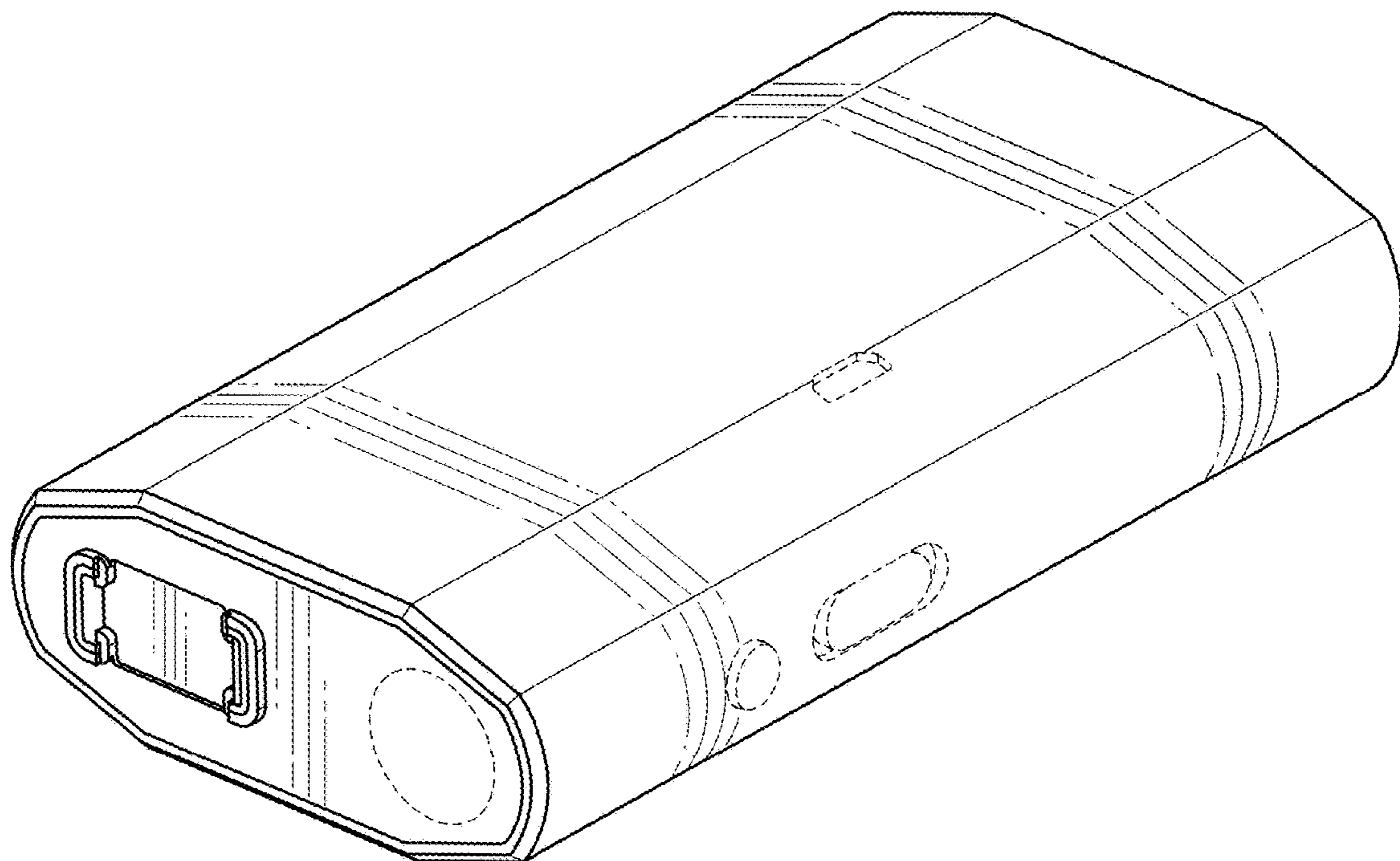
FIG. 1 is a front isometric view of the electric stun gun of the present invention;  
 FIG. 2 is a rear isometric view of the invention;  
 FIG. 3 is a side view of the invention of FIG. 1, as seen from the right side of FIG. 7;  
 FIG. 4 is a side view of the invention of FIG. 1, as seen from the left side of FIG. 7;  
 FIG. 5 is a top plan view in elevation of the invention of FIG. 1;  
 FIG. 6 is a bottom plan view of the invention of FIG. 1;  
 FIG. 7 is a front view of the invention of FIG. 1; and,  
 FIG. 8 is a rear view of the invention of FIG. 1.  
 The broken lines show various buttons and interface mechanisms and form no part of the claimed design.

(56) **References Cited**

**U.S. PATENT DOCUMENTS**

- D682,980 S \* 5/2013 Sheikh ..... D22/117
- D731,612 S \* 6/2015 Ying ..... D22/117

**1 Claim, 7 Drawing Sheets**



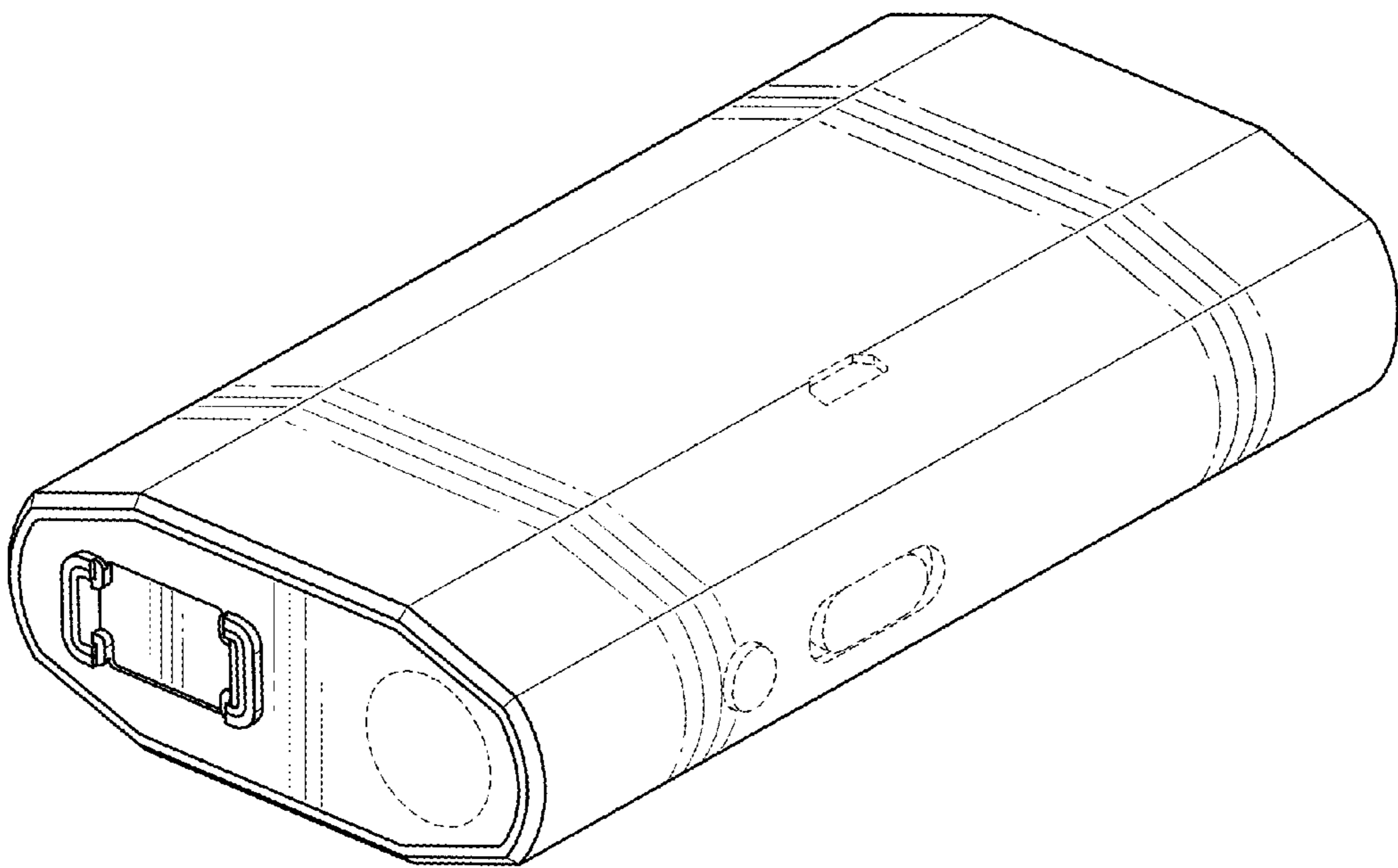


FIG. 1

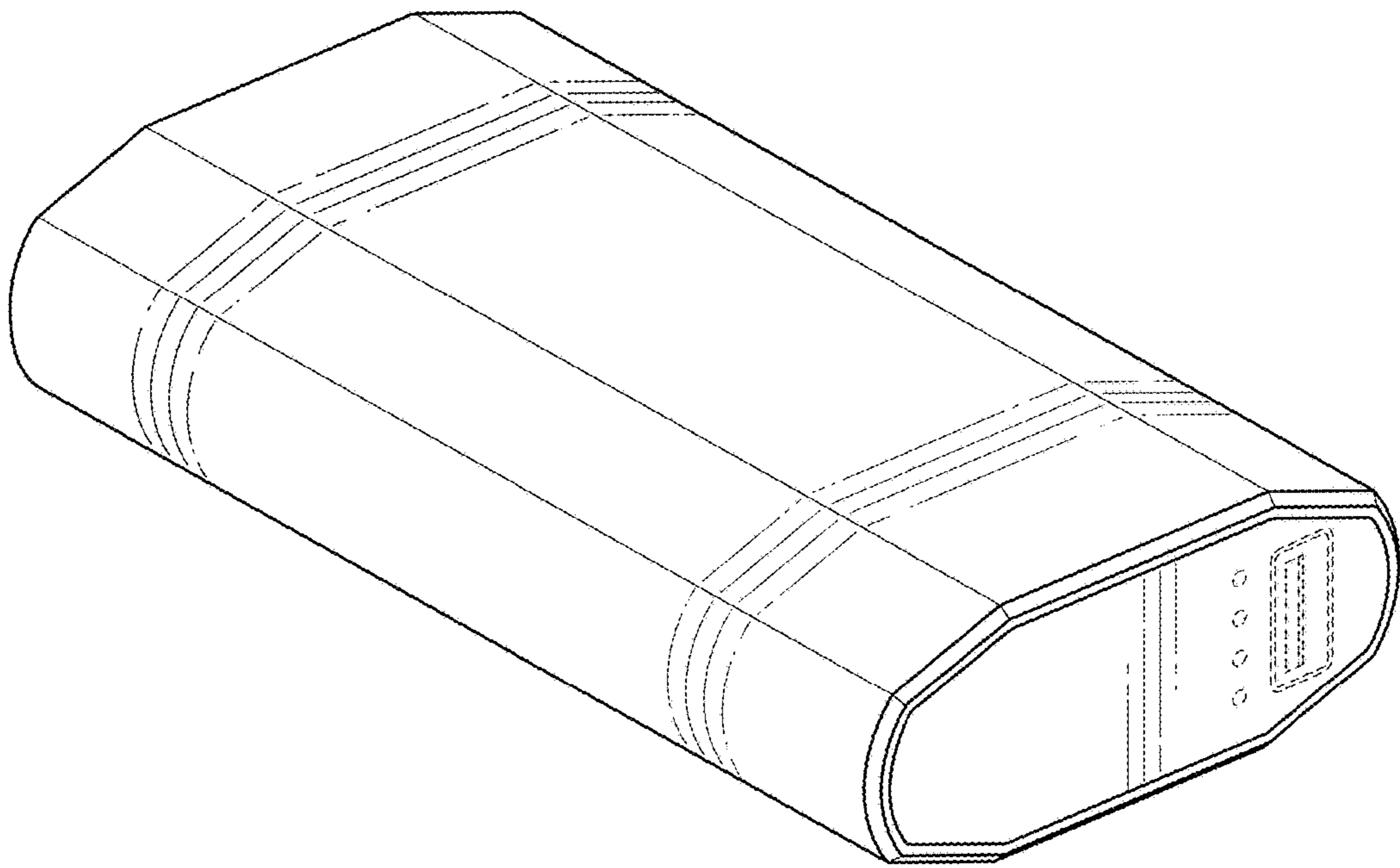


FIG. 2

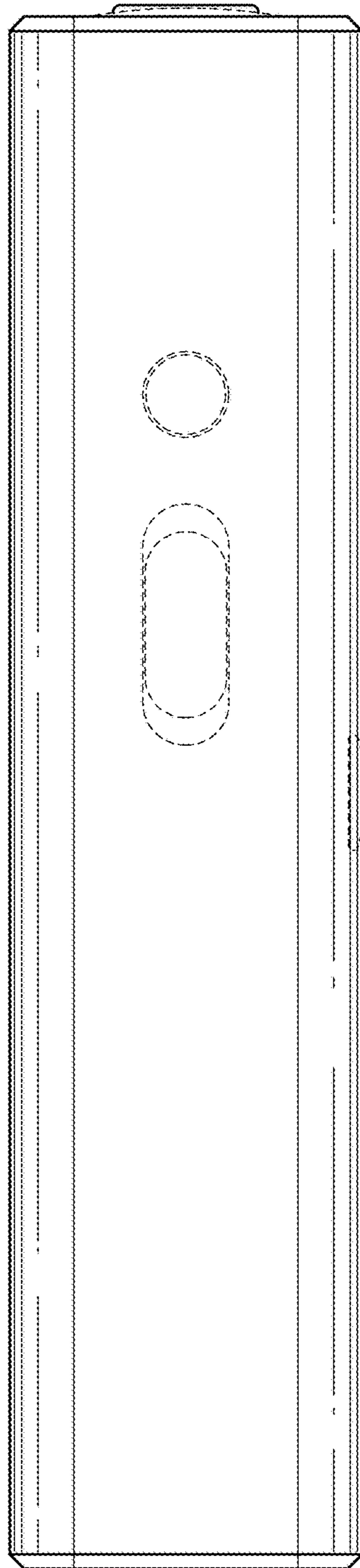


FIG. 3

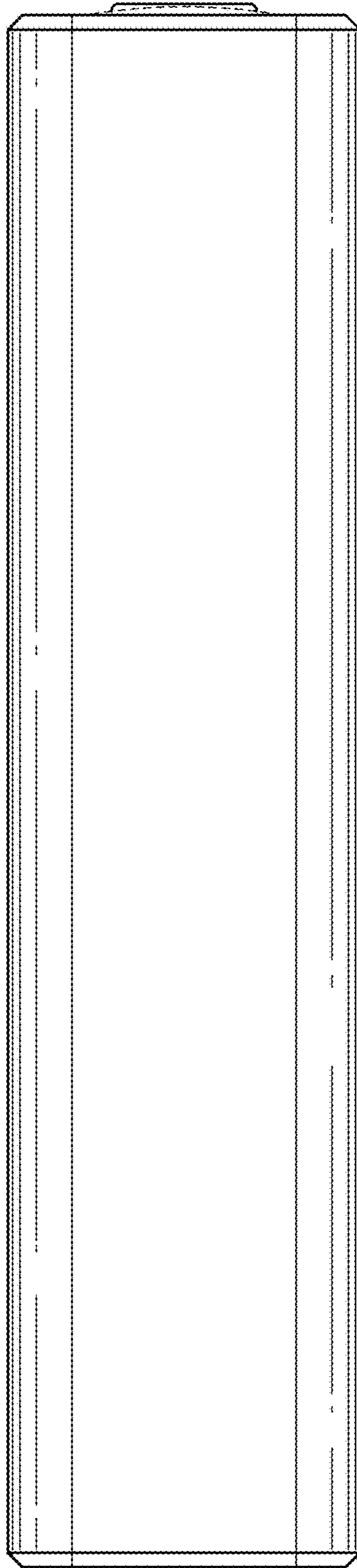


FIG. 4



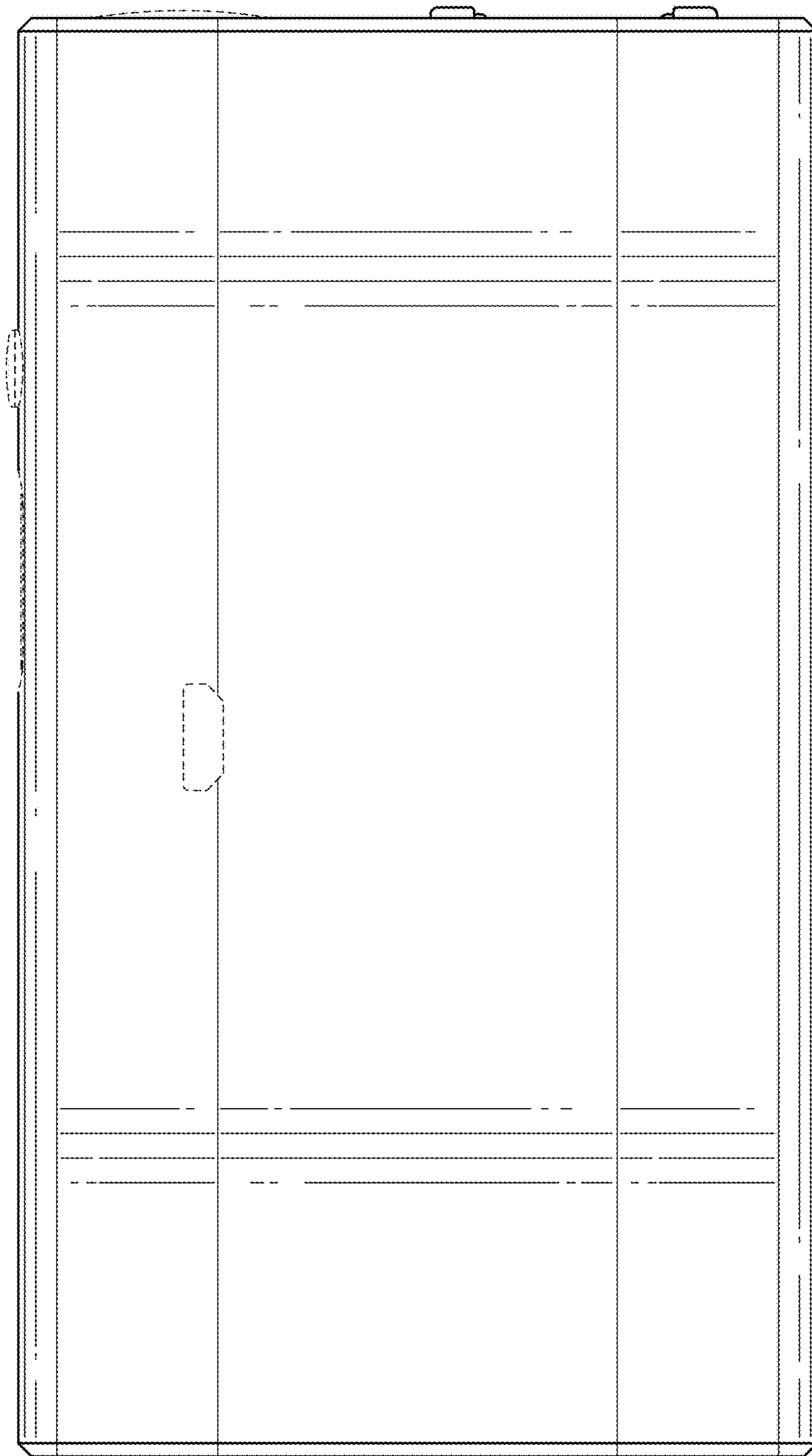


FIG. 5

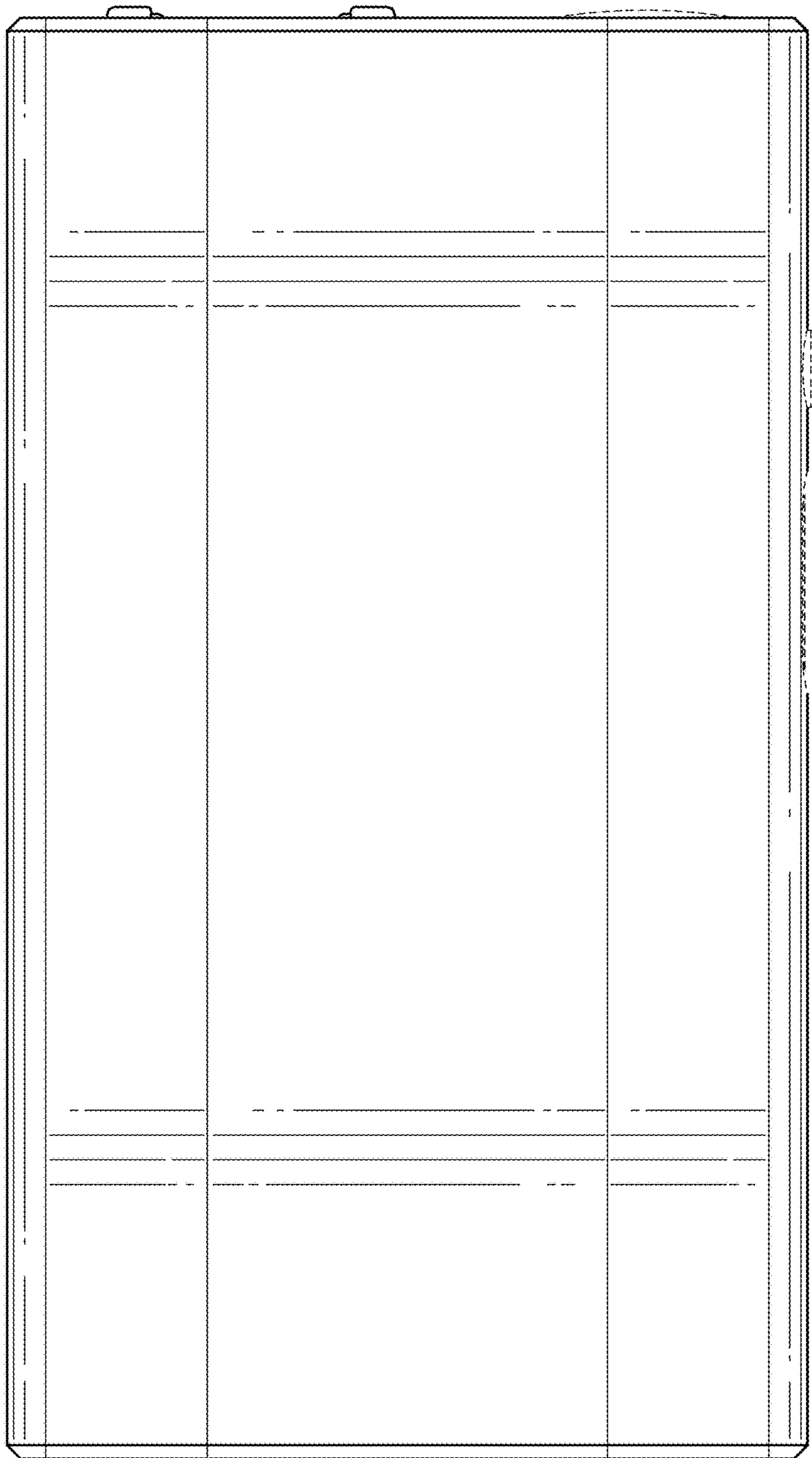


FIG. 6

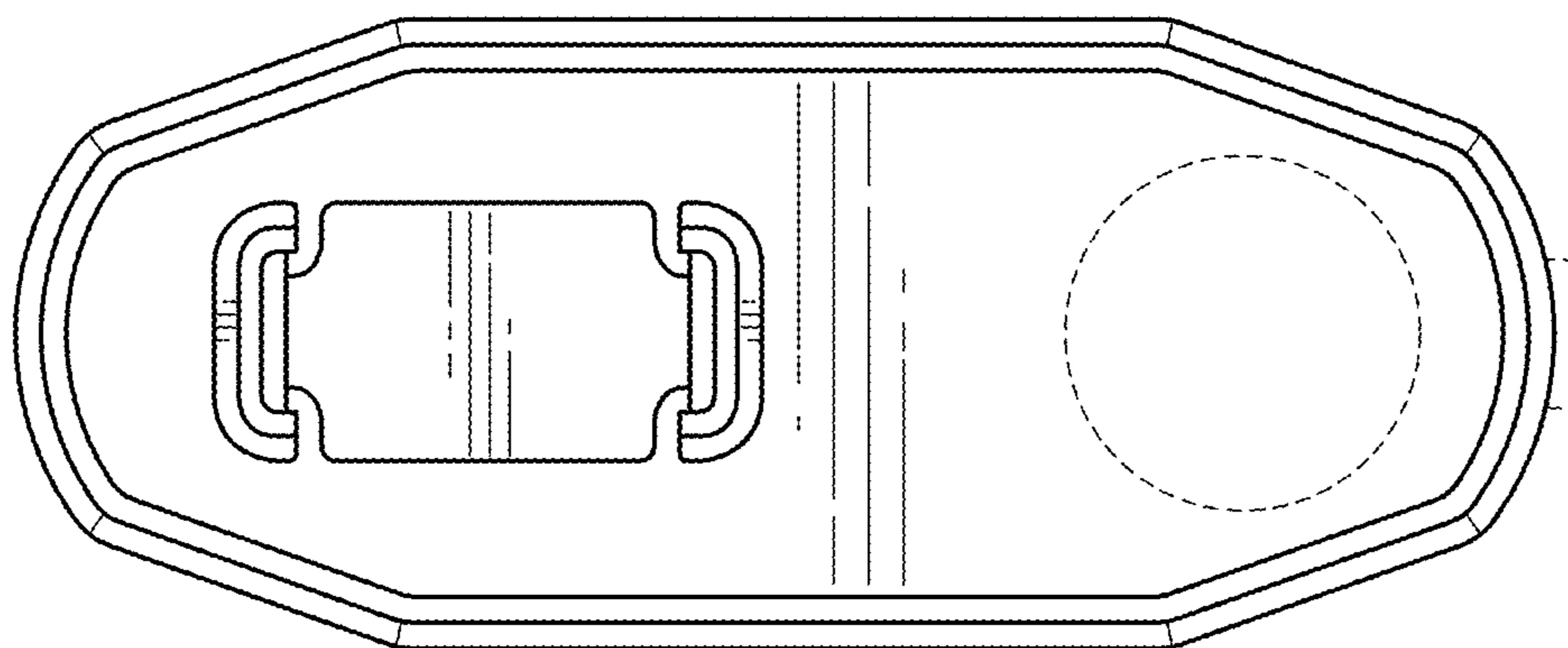


FIG. 7

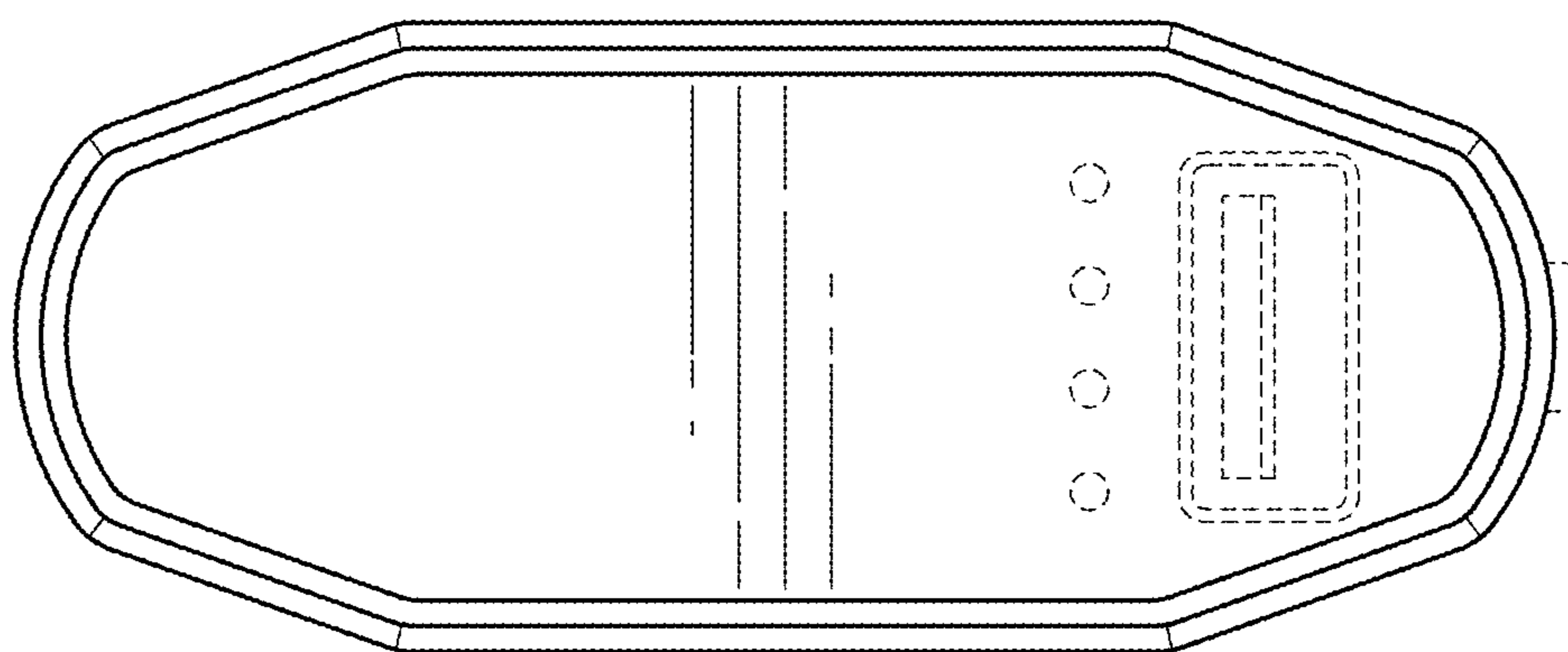


FIG. 8