



US00D806823S

(12) **United States Design Patent**
Bengtsson

(10) **Patent No.:** **US D806,823 S**

(45) **Date of Patent:** **** Jan. 2, 2018**

(54) **FASTENERS FOR SIGHTS**

(71) Applicant: **Aimpoint AB**, Malmö (SE)

(72) Inventor: **Peter Bengtsson**, Oxie (SE)

(73) Assignee: **Aimpoint AB**, Malmö (SE)

(**) Term: **15 Years**

(21) Appl. No.: **29/567,221**

(22) Filed: **Jun. 7, 2016**

(30) **Foreign Application Priority Data**

Dec. 11, 2015 (EM) 002906230-0003

(51) **LOC (11) Cl.** **22-01**

(52) **U.S. Cl.**
USPC **D22/110**

(58) **Field of Classification Search**
USPC D22/108-110
CPC . F41G 11/003; F41G 1/00; F41G 1/16; F41G
1/345
See application file for complete search history.

(56) **References Cited**

U.S. PATENT DOCUMENTS

D603,927 S * 11/2009 Larsson D22/109
D623,254 S * 9/2010 Larsson D22/108
8,448,341 B2 * 5/2013 Haney F41G 1/467
124/88
8,490,611 B2 * 7/2013 Maynard F41G 1/467
124/87

D721,781 S * 1/2015 Larsson D22/108
2003/0019118 A1 * 1/2003 Wilson F41G 1/467
33/265
2009/0049734 A1 * 2/2009 Storch F41G 1/18
42/136
2010/0162611 A1 * 7/2010 Samson F41G 1/18
42/125
2014/0123536 A1 * 5/2014 Hamm F41G 11/003
42/125

* cited by examiner

Primary Examiner — Michael A. Pratt

(74) *Attorney, Agent, or Firm* — Thomas | Horstemeyer,
LLP

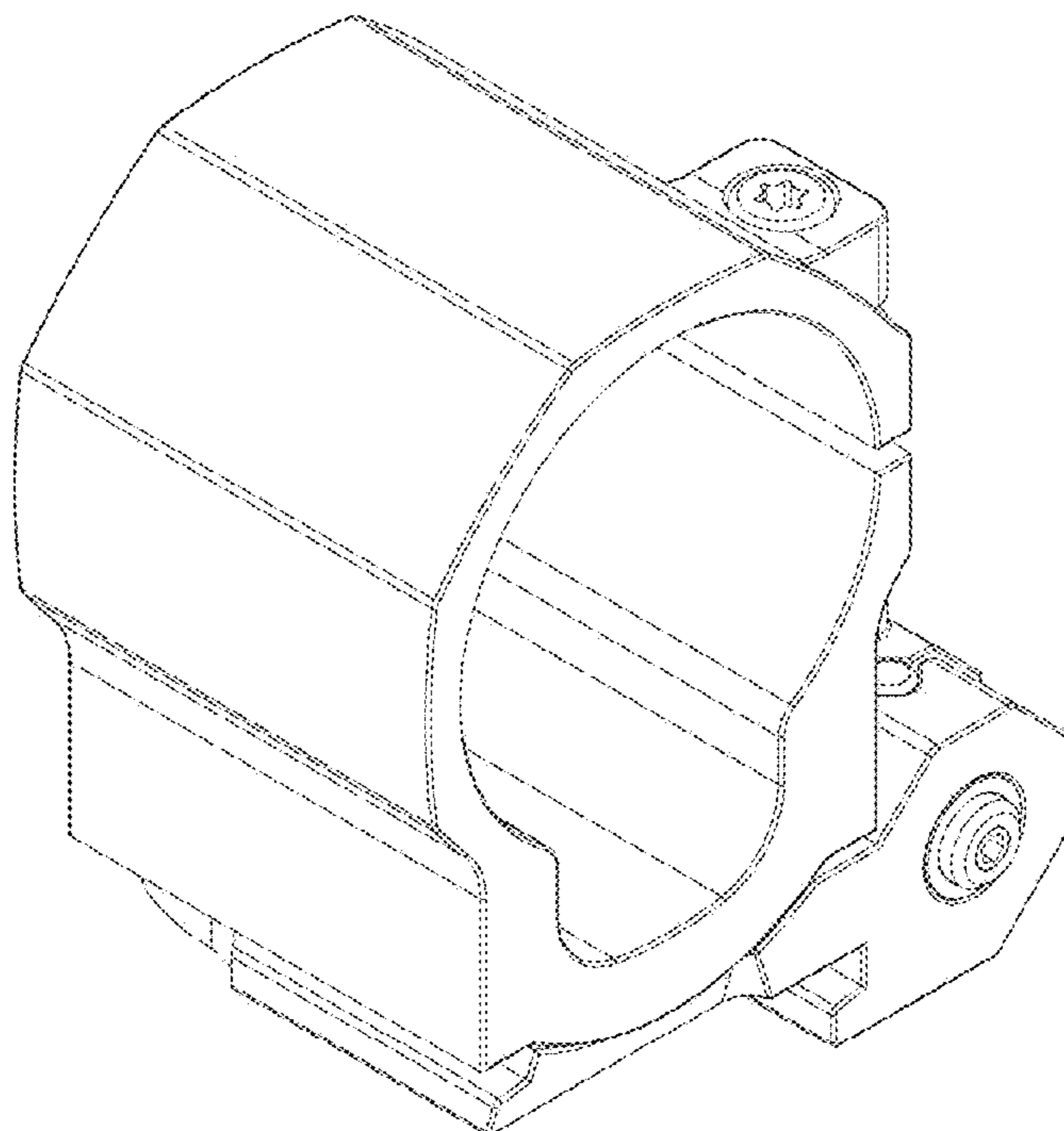
(57) **CLAIM**

The ornamental design for fasteners for sights, as shown and described.

DESCRIPTION

FIG. 1 is a perspective view of my new fasteners for sights;
FIG. 2 is a side view of my new fasteners for sights of FIG.
1;
FIG. 3 is a side view of my new fasteners for sights of FIG.
1 from the side opposite that of FIG. 2;
FIG. 4 is another side view of my new fasteners for sights
of FIG. 1;
FIG. 5 is a side view of my new fasteners for sights of FIG.
1 from the side opposite that of FIG. 4;
FIG. 6 is a top plan view of my new fasteners for sights of
FIG. 1; and,
FIG. 7 is a bottom plan view of my new fasteners for sights
of FIG. 1.

1 Claim, 7 Drawing Sheets



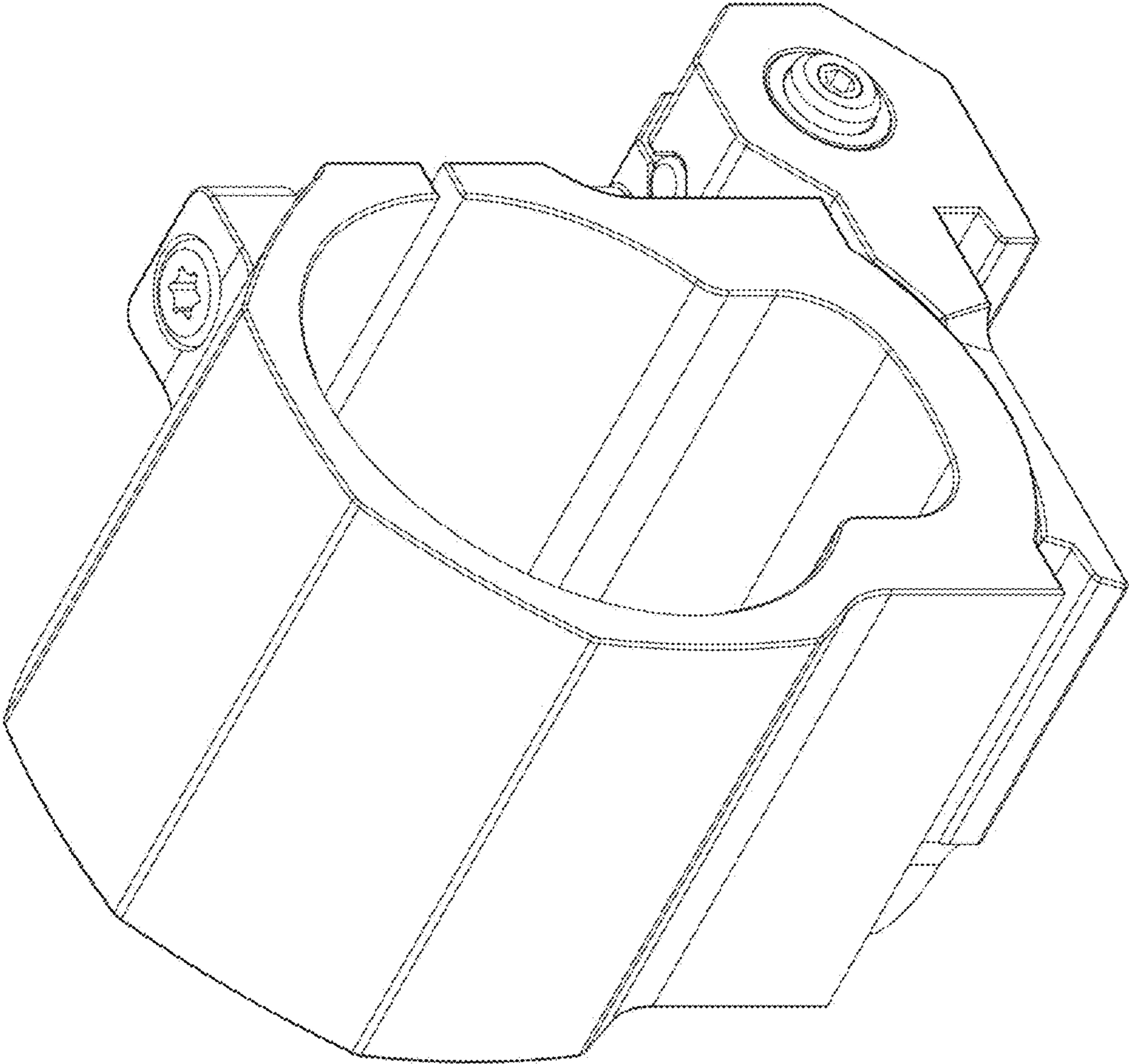


FIG. 1

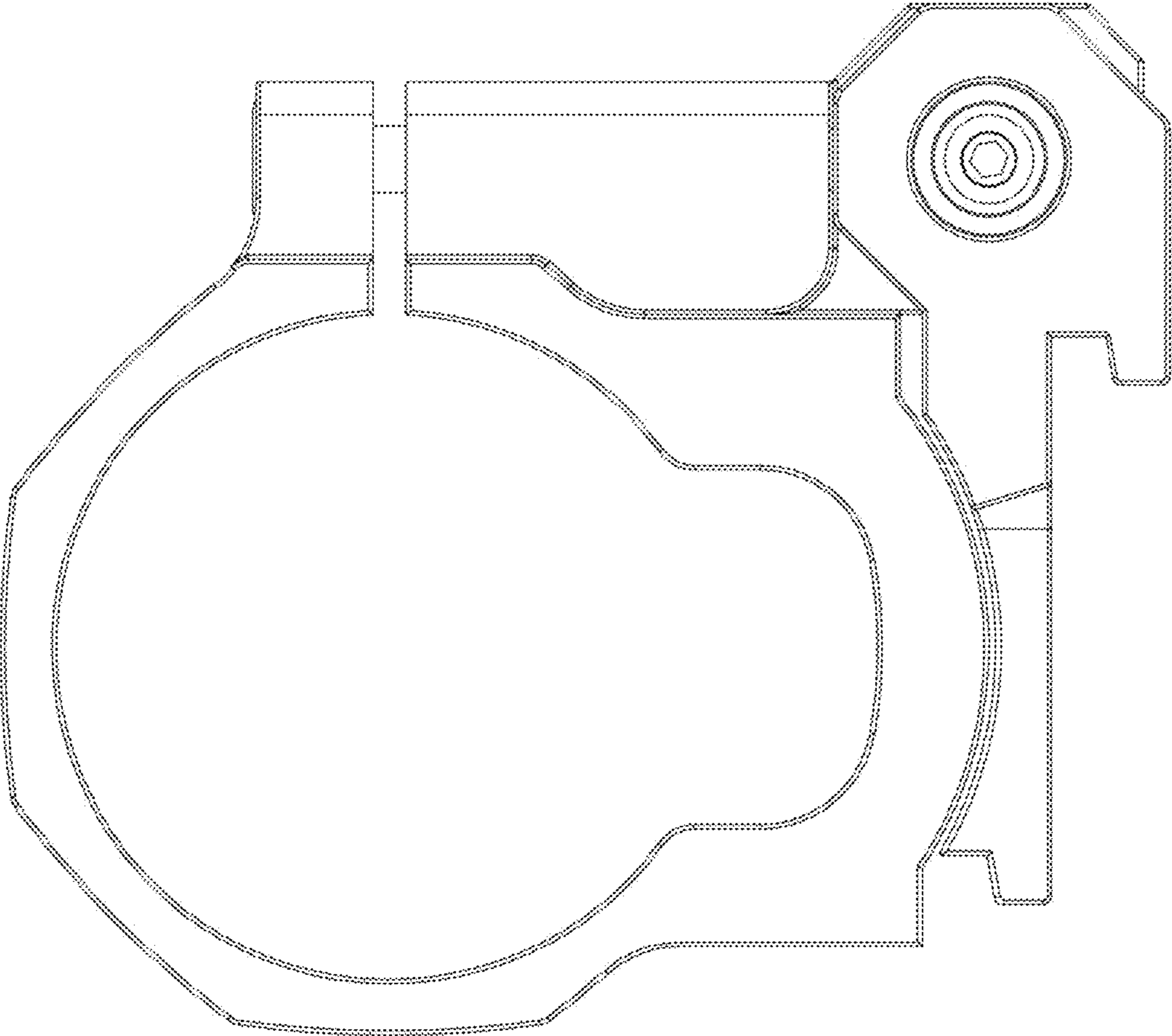


FIG. 2

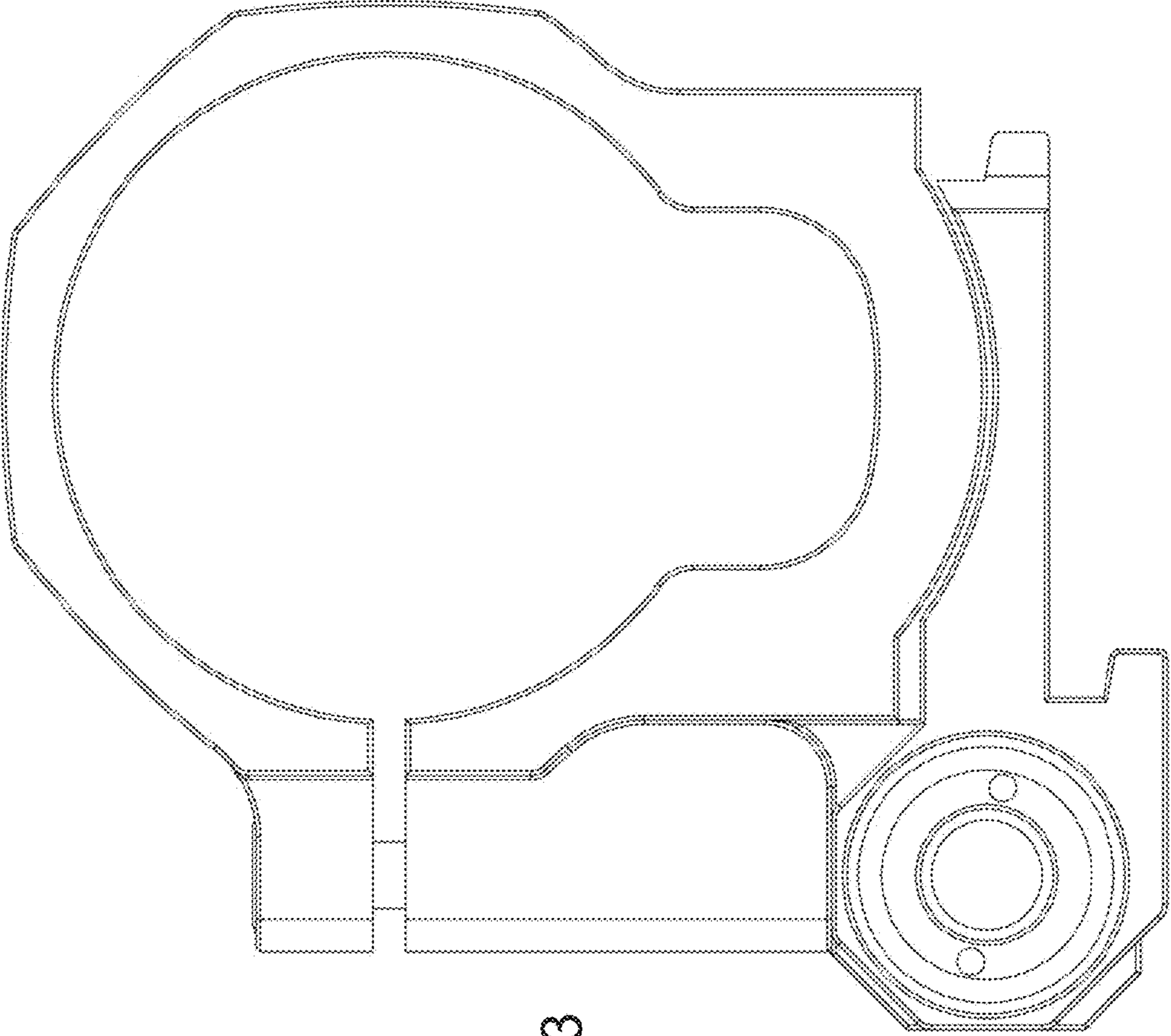


FIG. 3

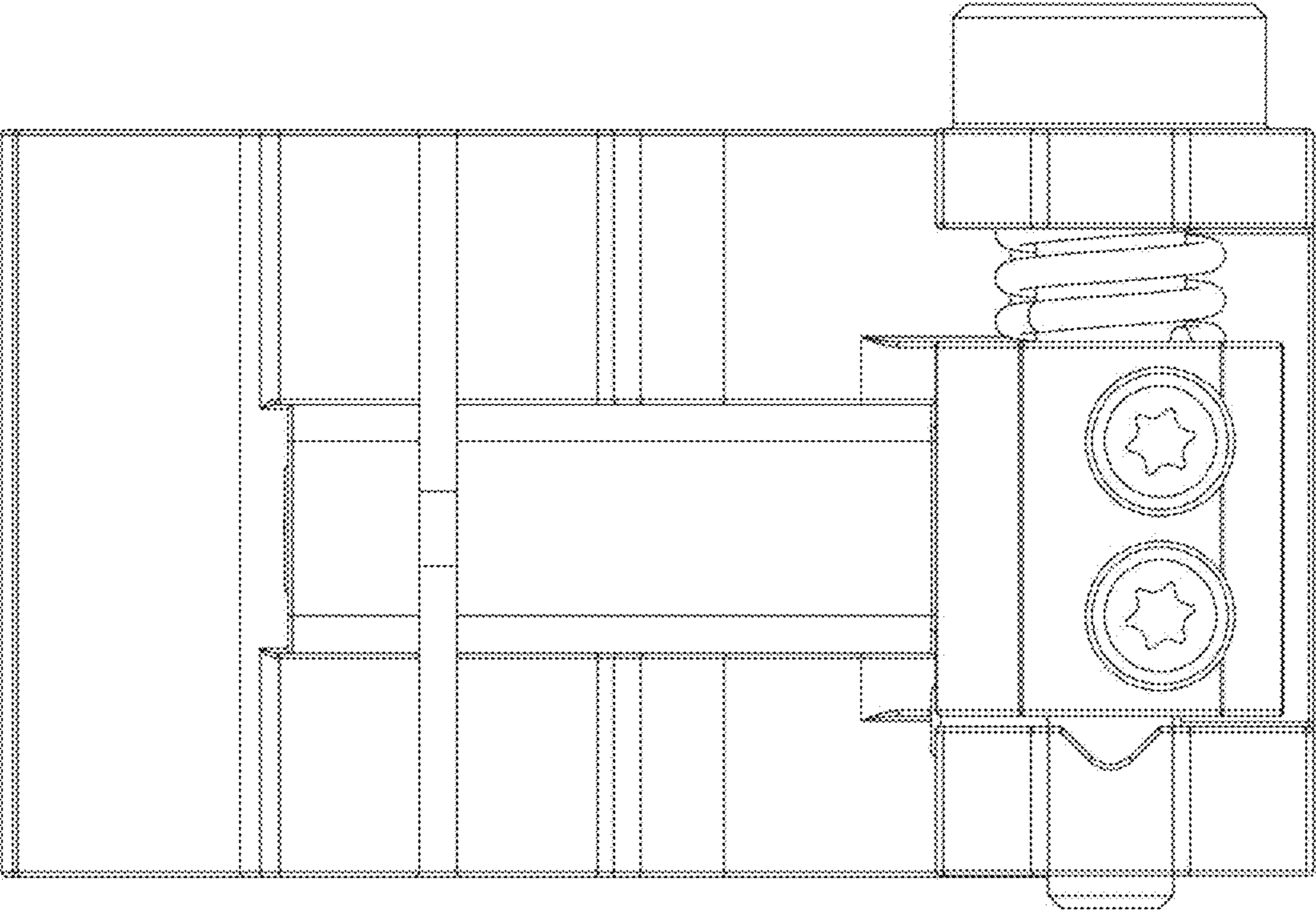


FIG. 4

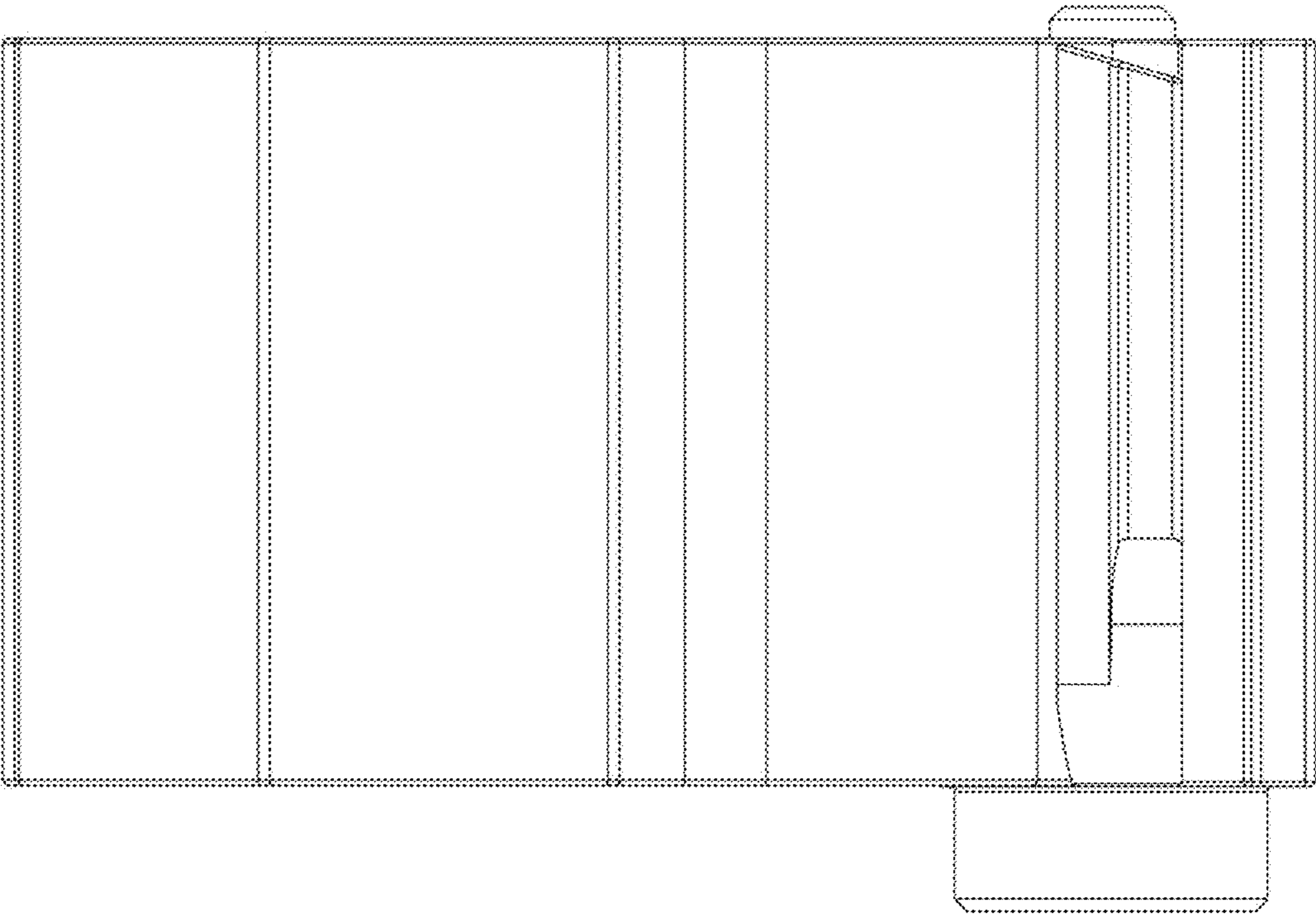


FIG. 5

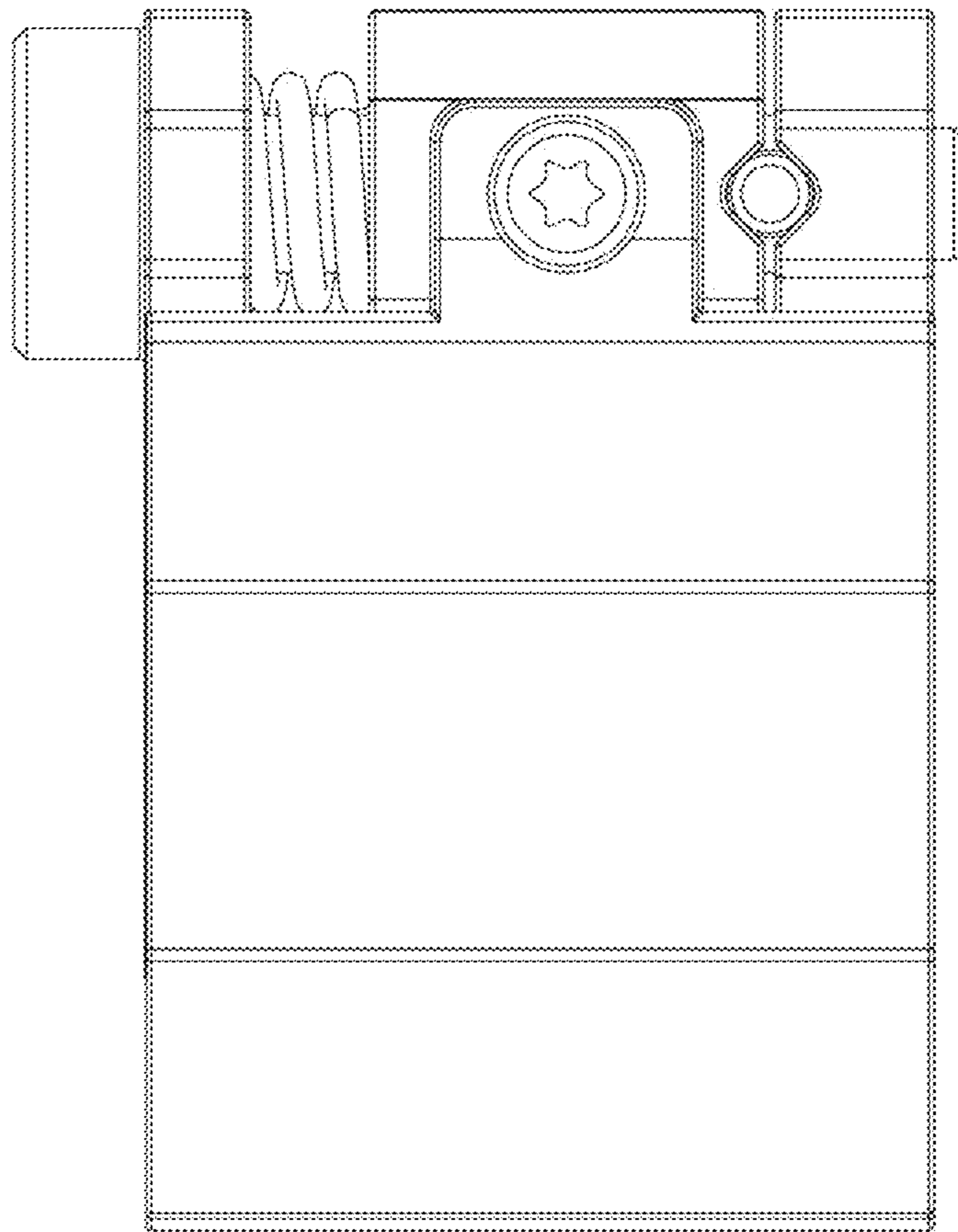


FIG. 6

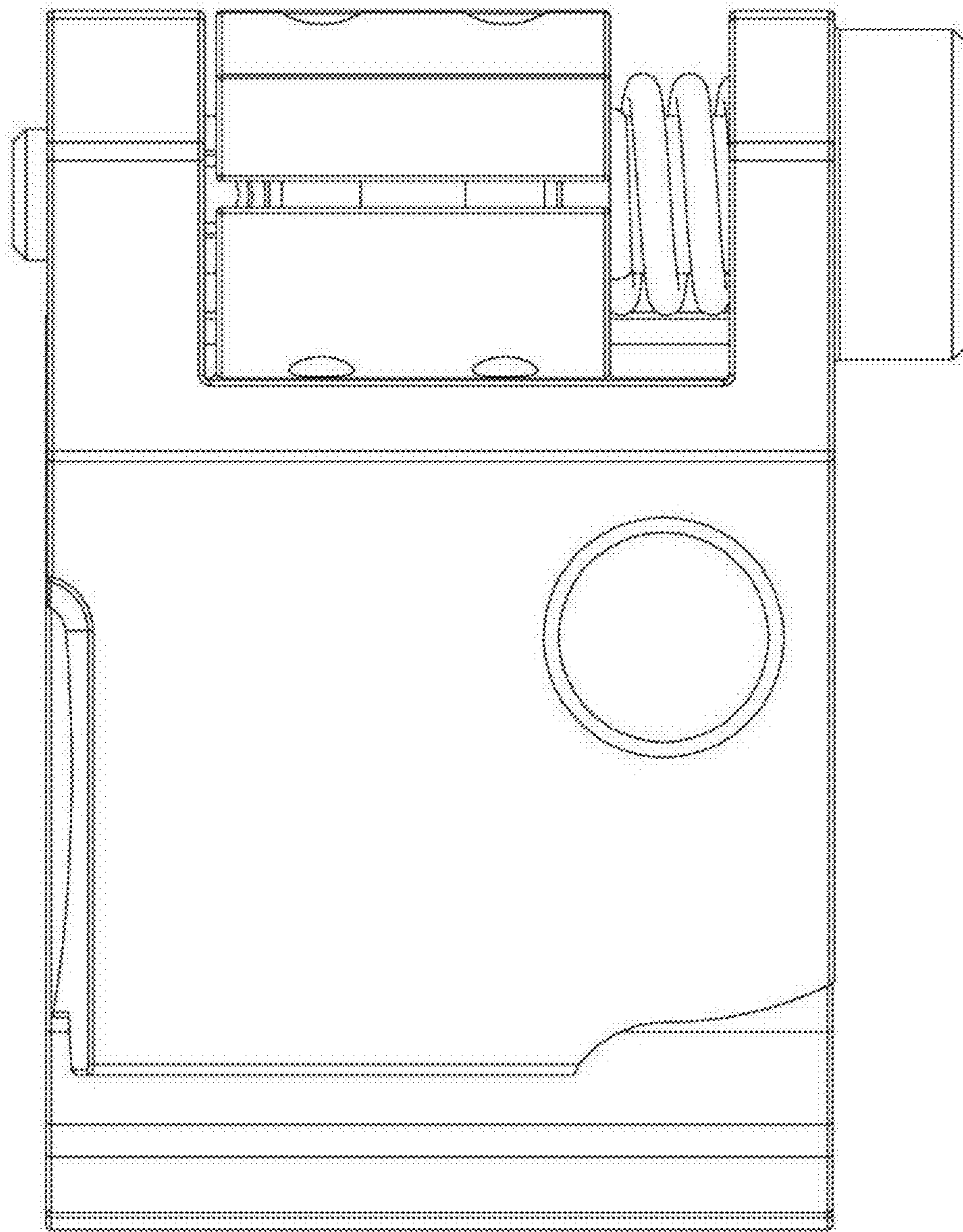


FIG. 7