



US00D806822S

(12) **United States Design Patent**  
**Bengtsson**

(10) **Patent No.:** **US D806,822 S**  
(45) **Date of Patent:** **\*\* Jan. 2, 2018**

(54) **FASTENERS FOR SIGHTS**

(71) Applicant: **Aimpoint AB**, Malmö (SE)

(72) Inventor: **Peter Bengtsson**, Oxie (SE)

(73) Assignee: **Aimpoint AB**, Malmö (SE)

(\*\*) Term: **15 Years**

(21) Appl. No.: **29/567,219**

(22) Filed: **Jun. 7, 2016**

(30) **Foreign Application Priority Data**

Dec. 11, 2015 (EM) ..... 002906230-0001  
Dec. 11, 2015 (EM) ..... 002906230-0002

(51) **LOC (11) Cl.** ..... **22-01**

(52) **U.S. Cl.**  
USPC ..... **D22/110**

(58) **Field of Classification Search**  
USPC ..... D22/108–110  
CPC . F41G 11/003; F41G 1/00; F41G 1/16; F41G  
1/345  
See application file for complete search history.

(56) **References Cited**

**U.S. PATENT DOCUMENTS**

D603,927 S \* 11/2009 Larsson ..... D22/109  
D623,254 S \* 9/2010 Larsson ..... D22/108  
8,448,341 B2 \* 5/2013 Haney ..... F41G 1/467  
124/88  
8,490,611 B2 \* 7/2013 Maynard ..... F41G 1/467  
124/87  
D721,781 S \* 1/2015 Larsson ..... D22/108  
2003/0019118 A1 \* 1/2003 Wilson ..... F41G 1/467  
33/265  
2009/0049734 A1 \* 2/2009 Storch ..... F41G 1/18  
42/136  
2010/0162611 A1 \* 7/2010 Samson ..... F41G 1/18  
42/125

(Continued)

Primary Examiner — Michael A. Pratt

(74) *Attorney, Agent, or Firm* — Thomas | Horstemeyer, LLP

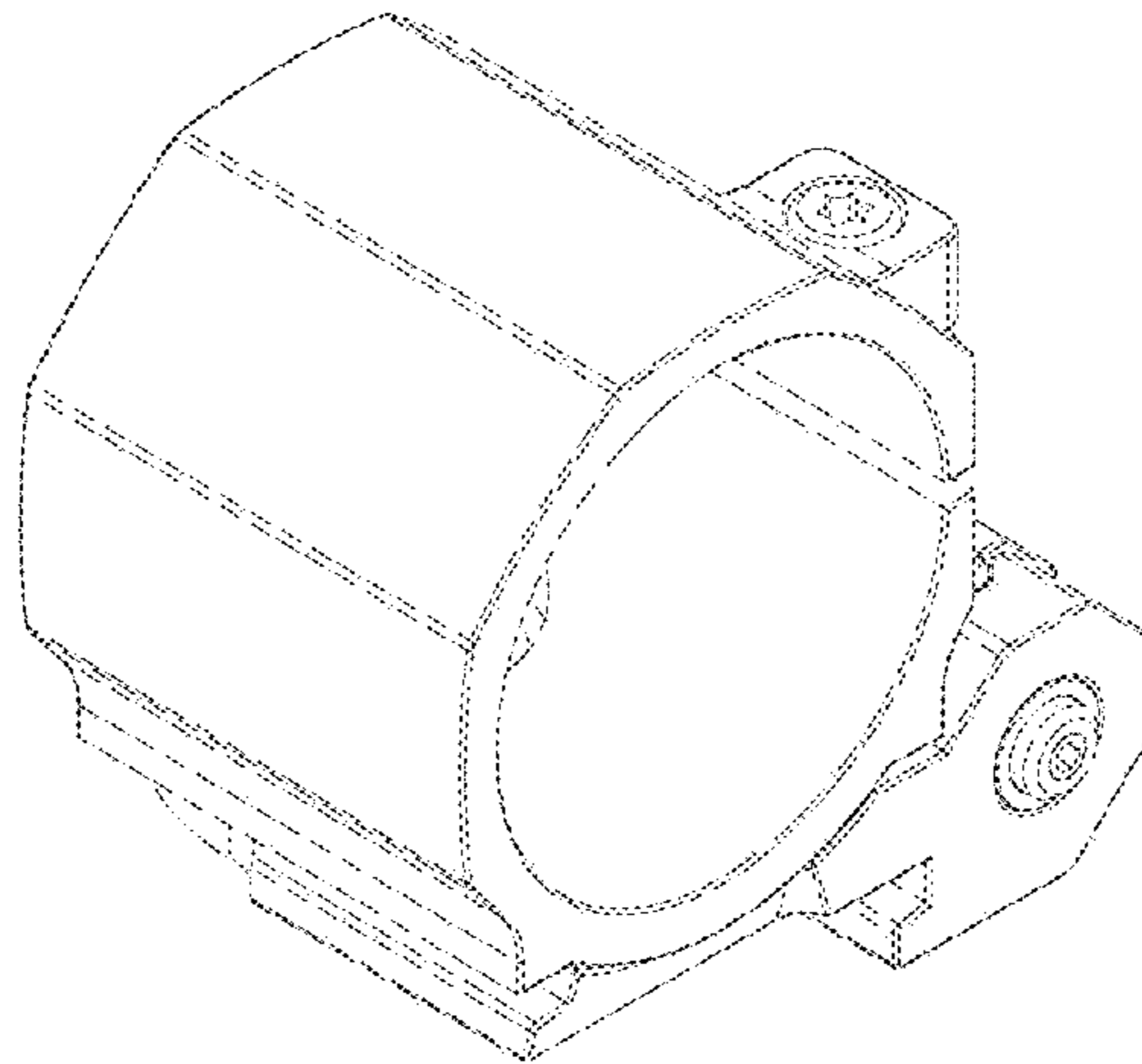
(57) **CLAIM**

The ornamental design for fasteners for sights, as shown and described.

**DESCRIPTION**

FIG. 1 is a perspective view of my new fasteners for sights; FIG. 2 is a side view of my new fasteners for sights of FIG. 1; FIG. 3 is a side view of my new fasteners for sights of FIG. 1 from the side opposite that of FIG. 2; FIG. 4 is another side view of my new fasteners for sights of FIG. 1; FIG. 5 is a side view of my new fasteners for sights of FIG. 1 from the side opposite that of FIG. 4; FIG. 6 is a top plan view of my new fasteners for sights of FIG. 1; FIG. 7 is a bottom plan view of my new fasteners for sights of FIG. 1; FIG. 8 is a perspective view of my new fasteners for sights of FIG. 1 depicting it in an open position; FIG. 9 is a side view of my new fasteners for sights of FIG. 8; FIG. 10 is a side view of my new fasteners for sights of FIG. 8 from the side opposite that of FIG. 9; FIG. 11 is another side view of my new fasteners for sights of FIG. 8; FIG. 12 is a side view of my new fasteners for sights of FIG. 8 from the side opposite that of FIG. 11; FIG. 13 is a top plan view of my new fasteners for sights of FIG. 8; and, FIG. 14 is a bottom plan view of my new fasteners for sights of FIG. 8.

**1 Claim, 14 Drawing Sheets**



(56)

**References Cited**

U.S. PATENT DOCUMENTS

2014/0123536 A1\* 5/2014 Hamm ..... F41G 11/003  
42/125

\* cited by examiner

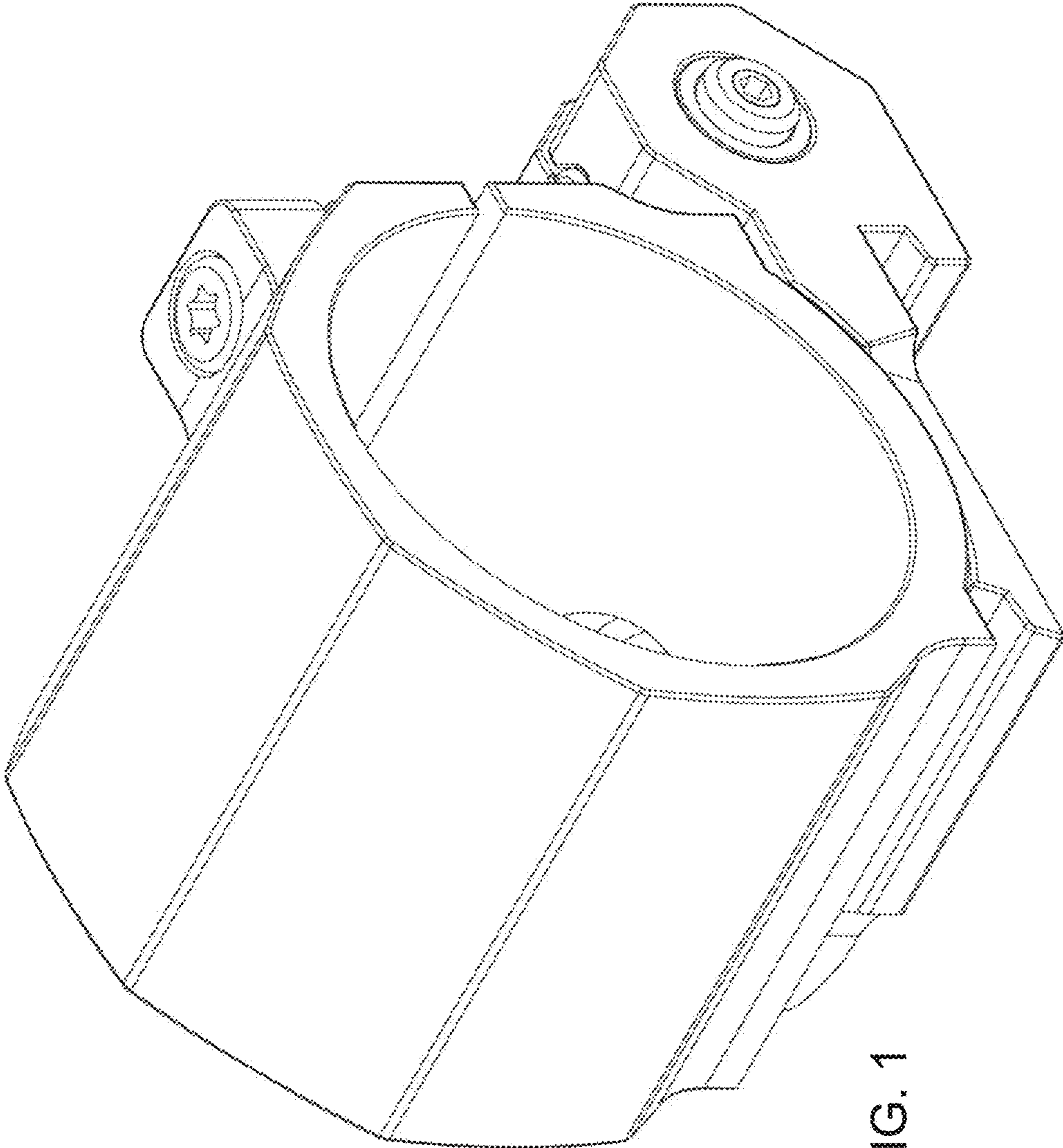


FIG. 1

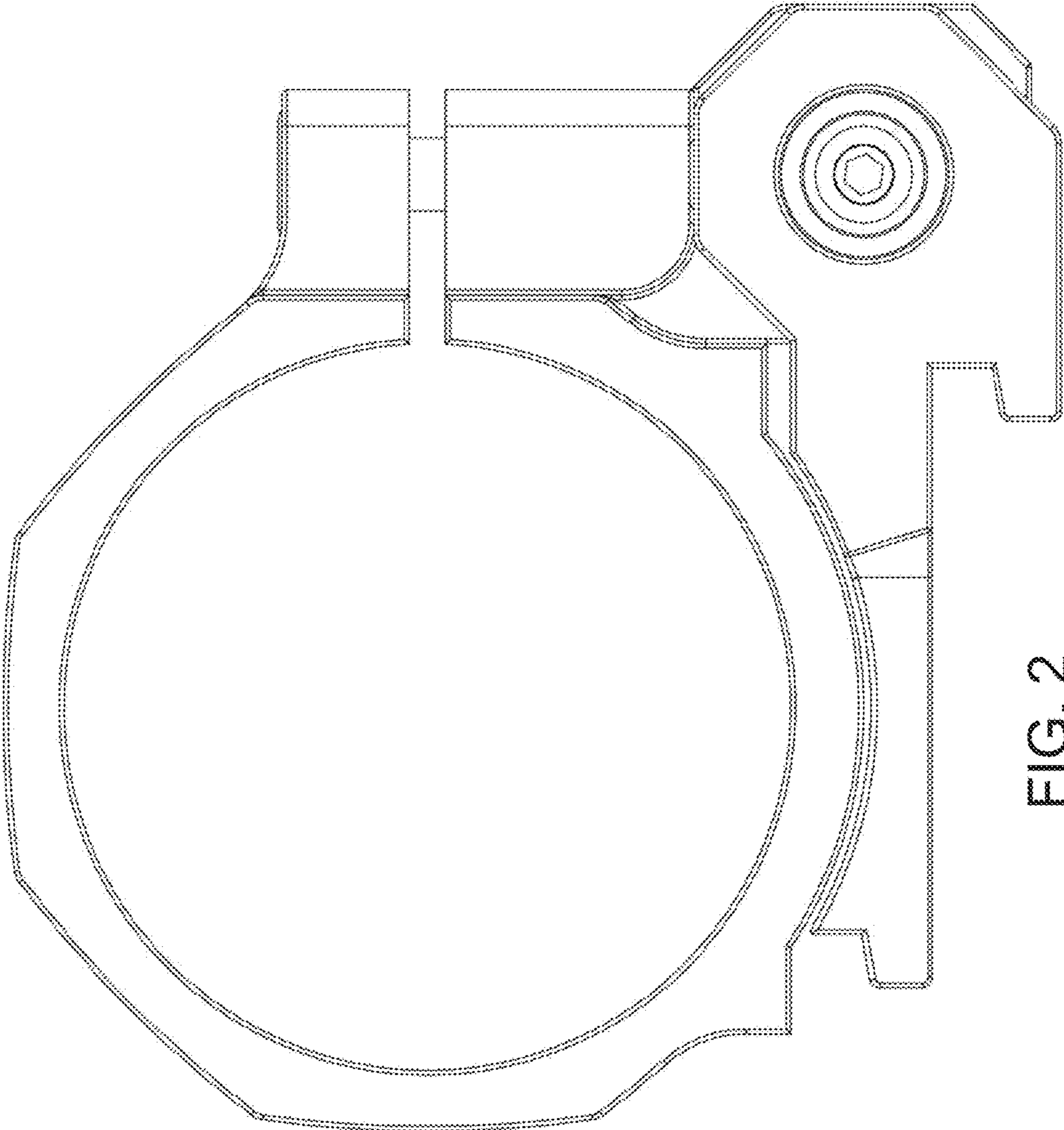


FIG. 2

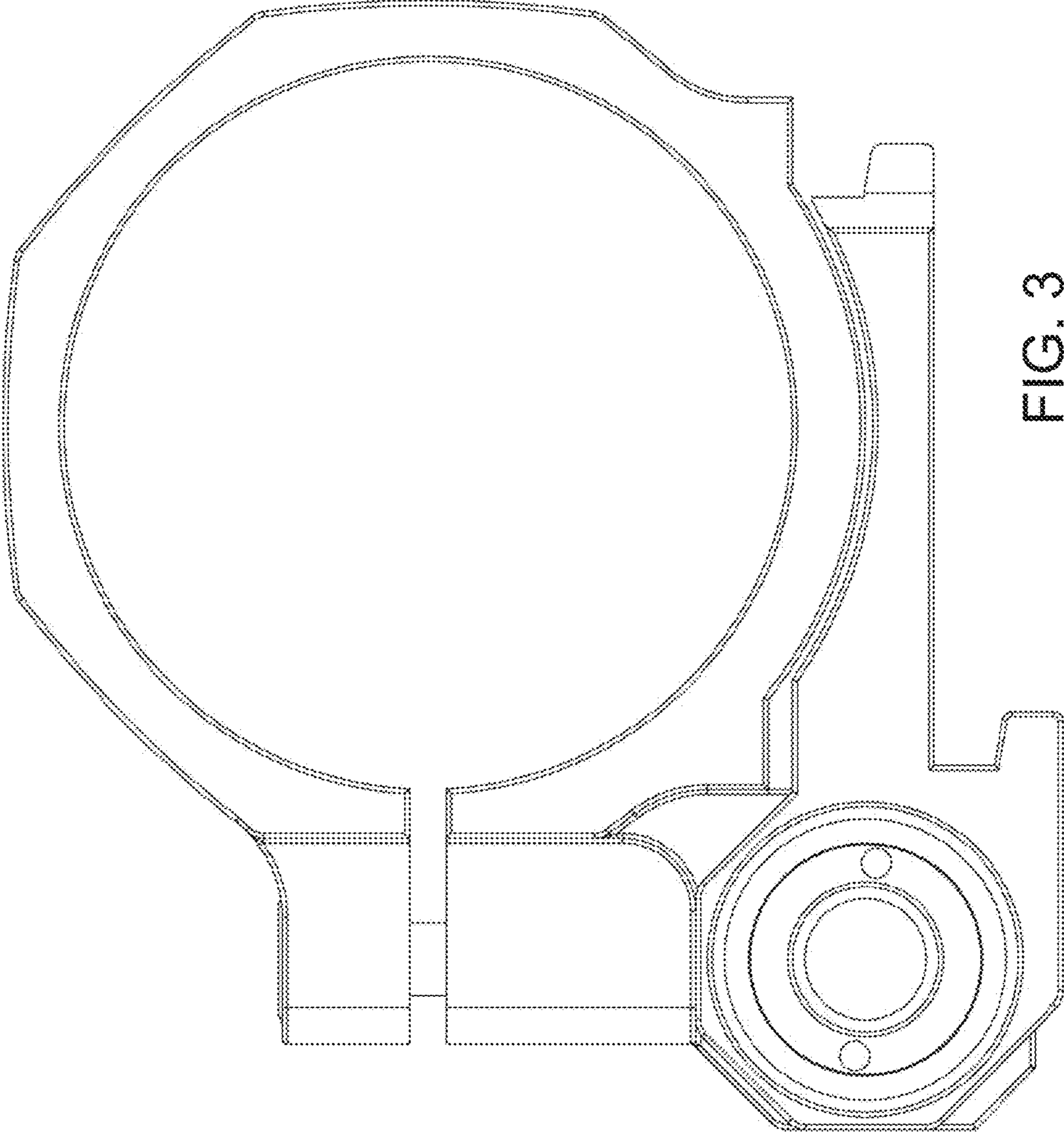


FIG. 3

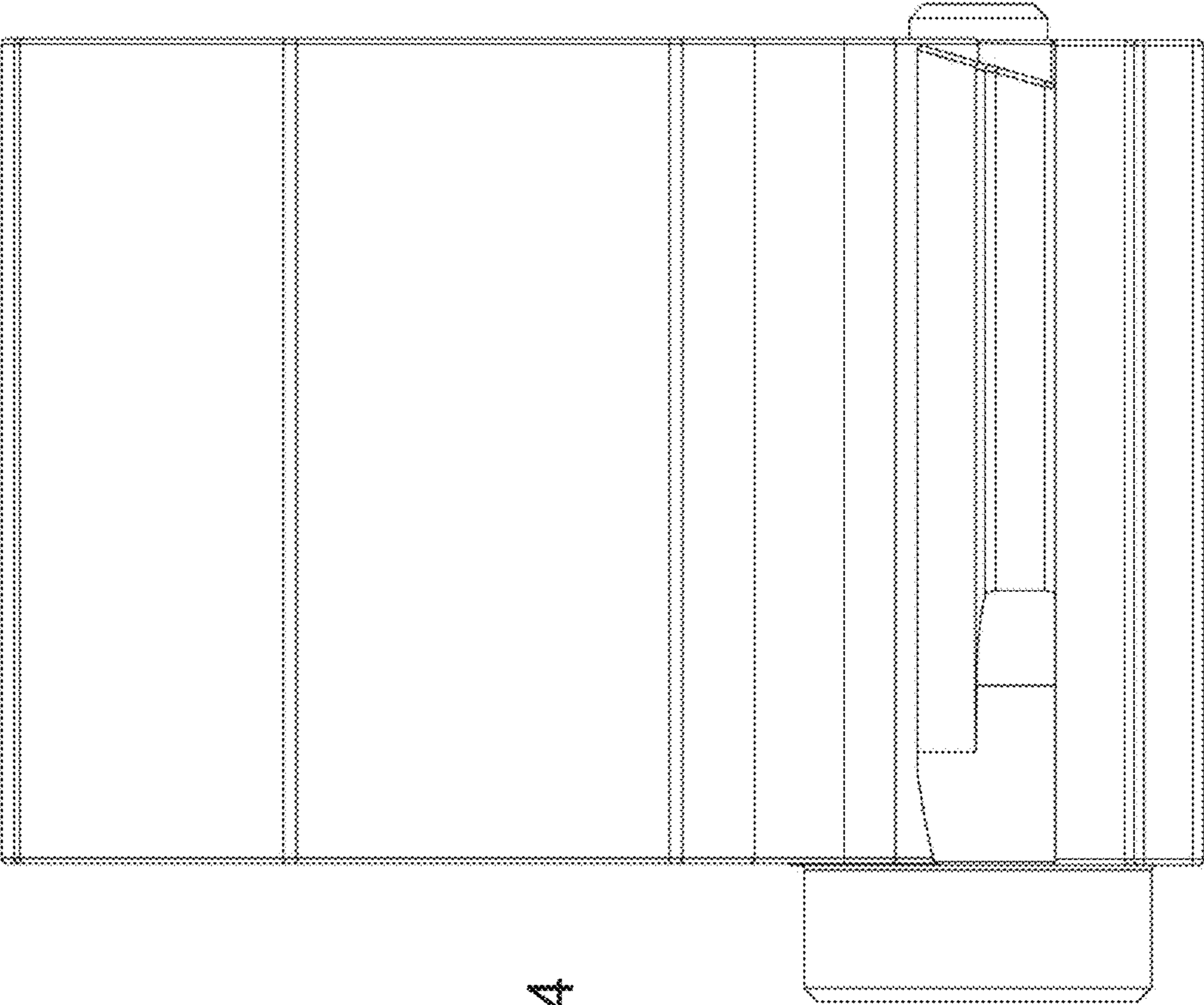


FIG. 4

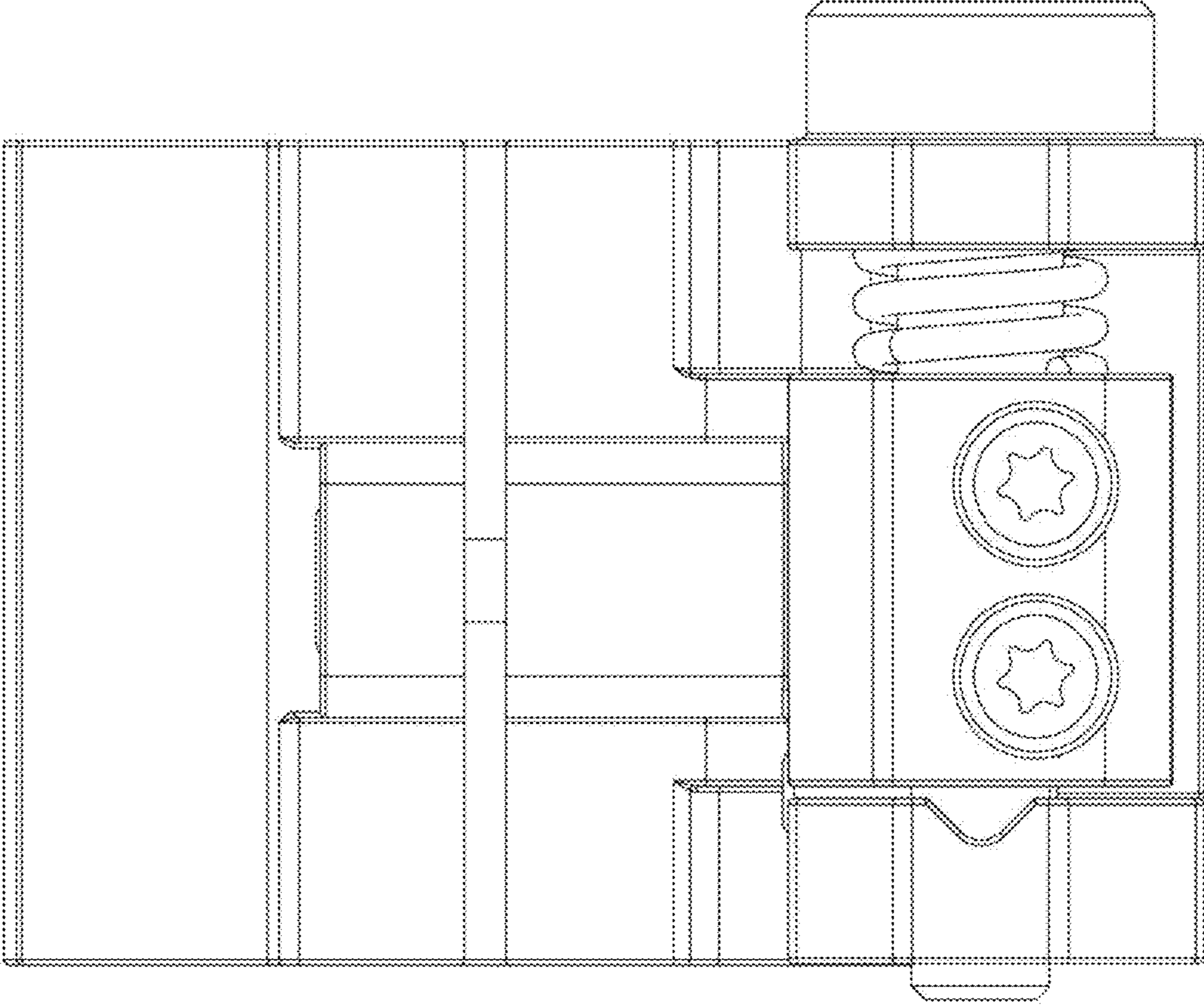


FIG. 5

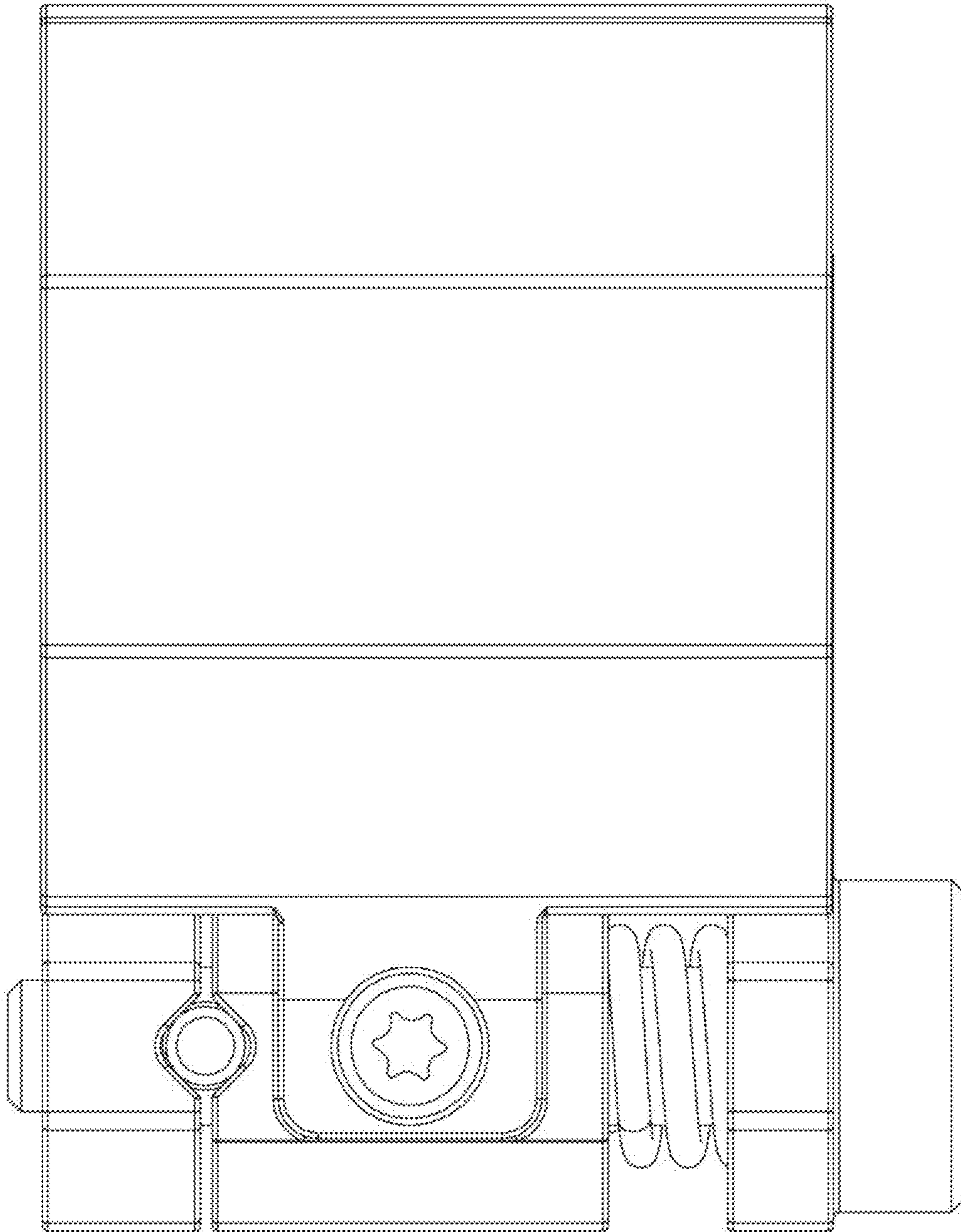


FIG. 6



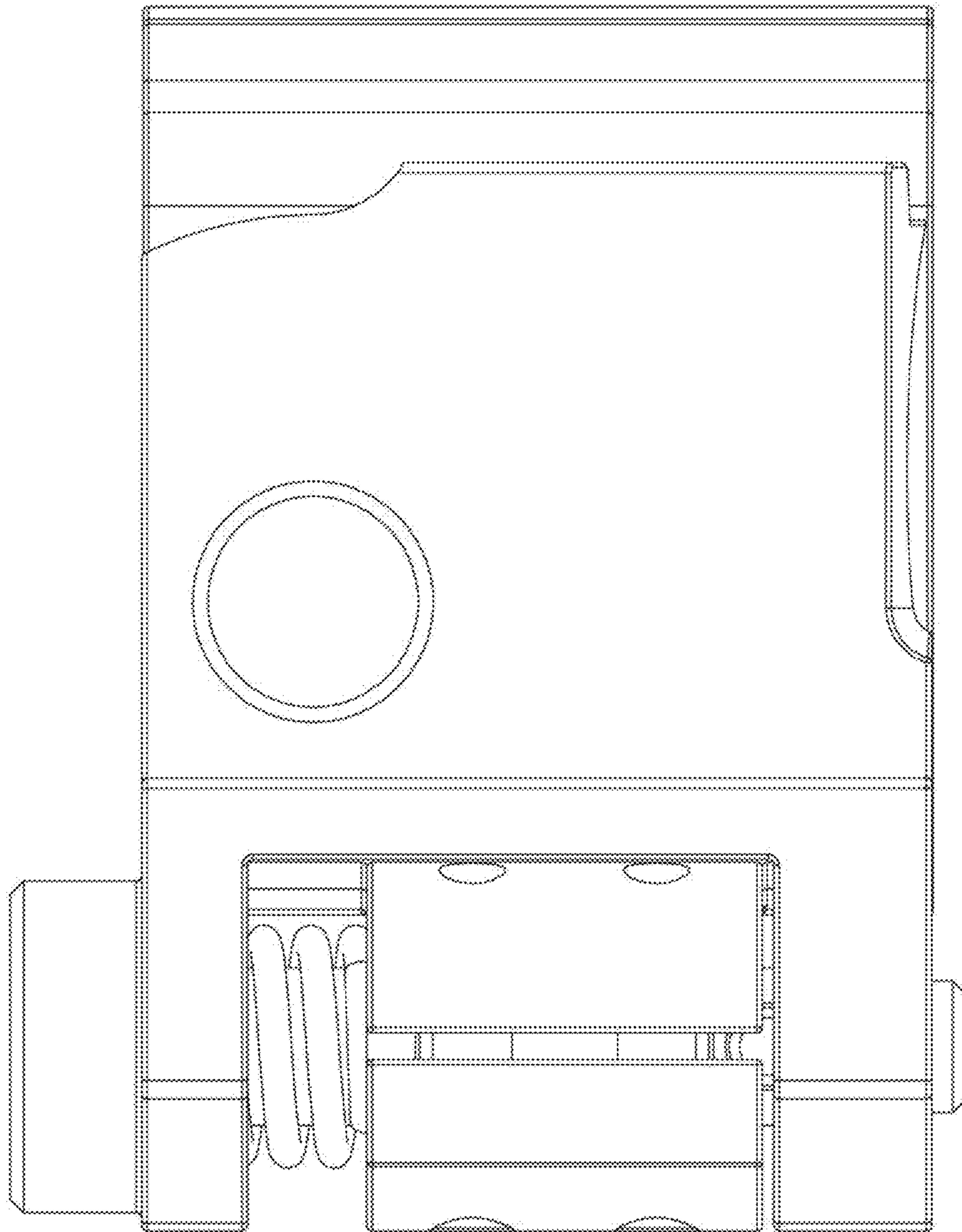


FIG. 7

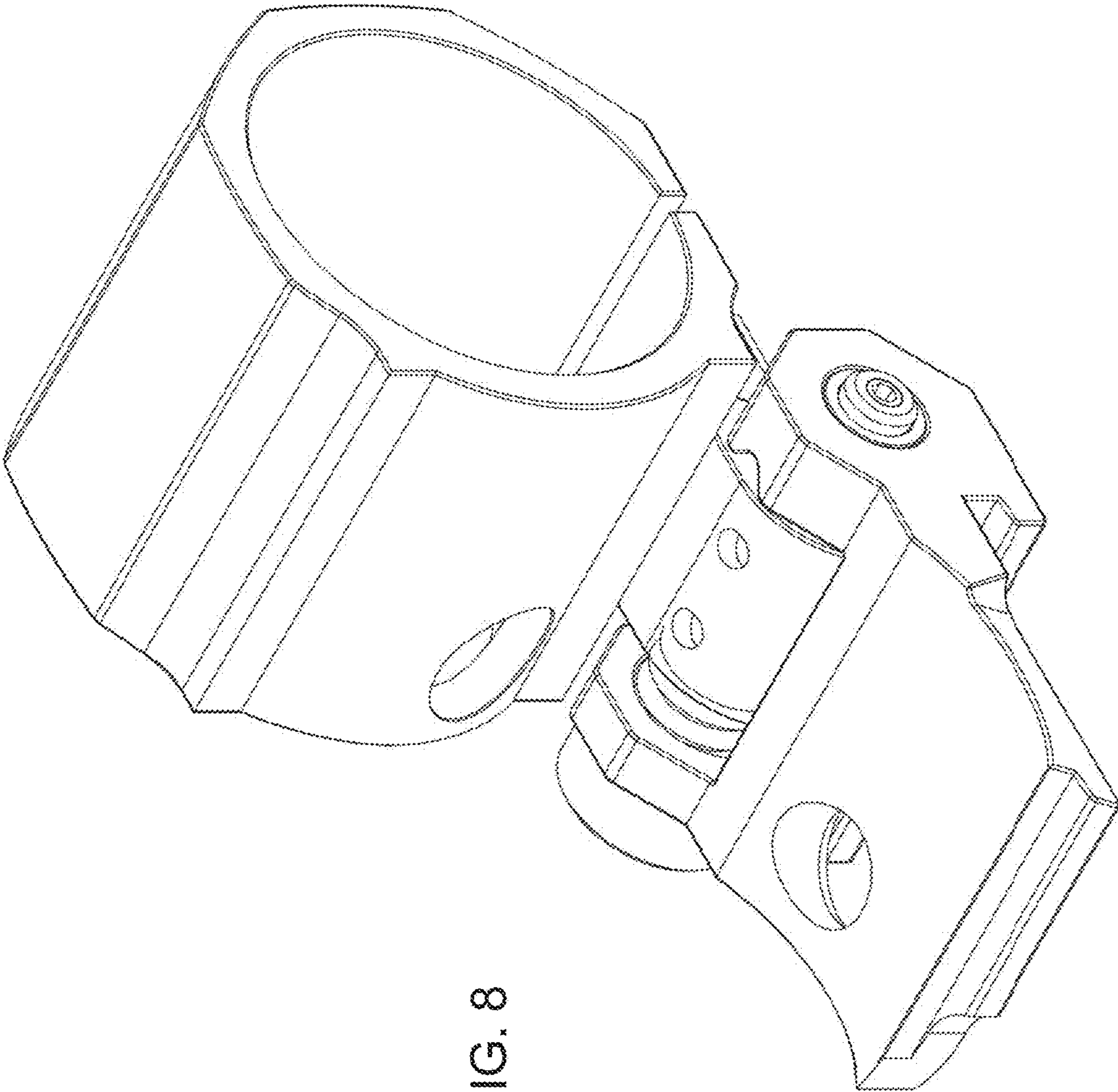


FIG. 8

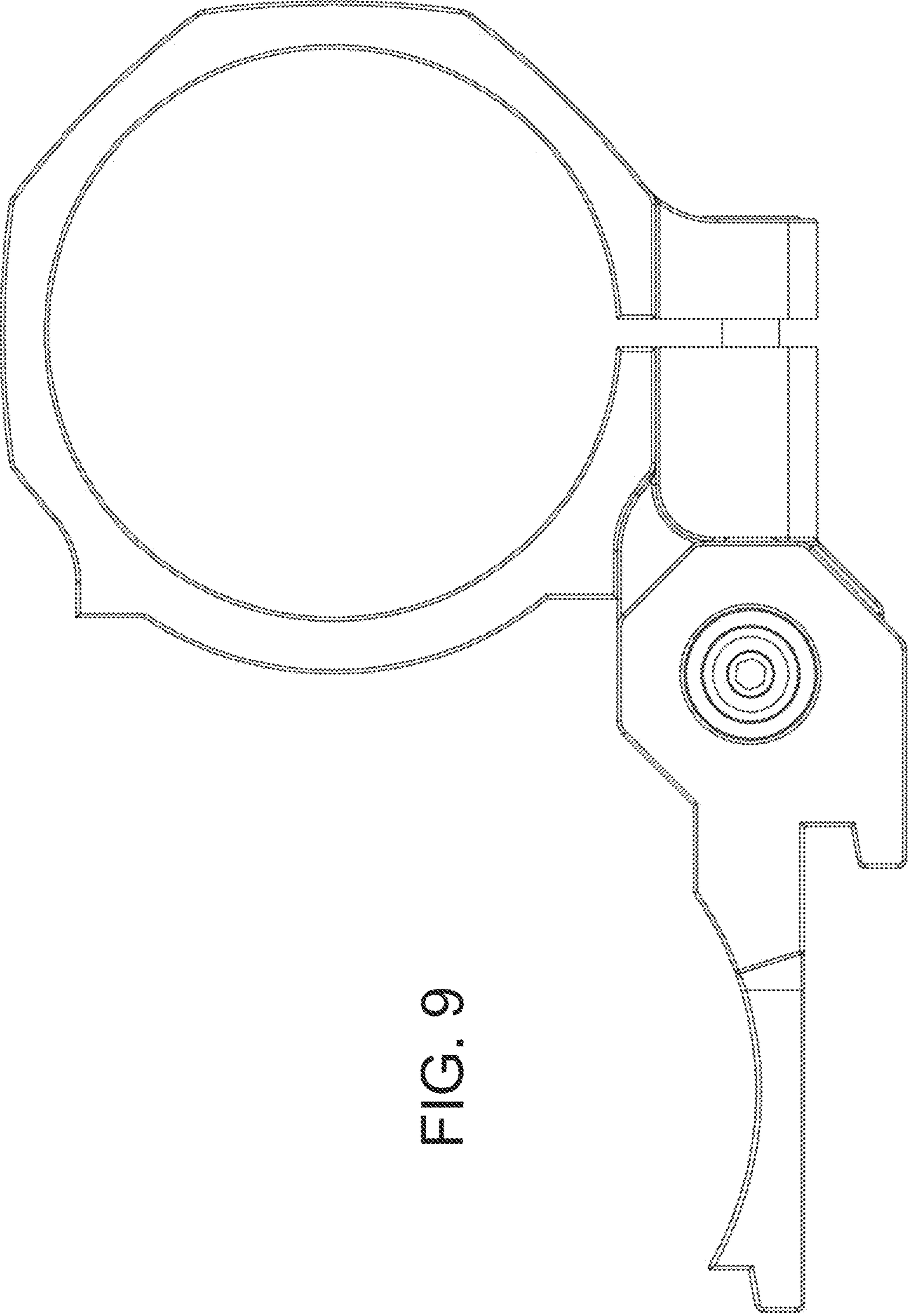


FIG. 9

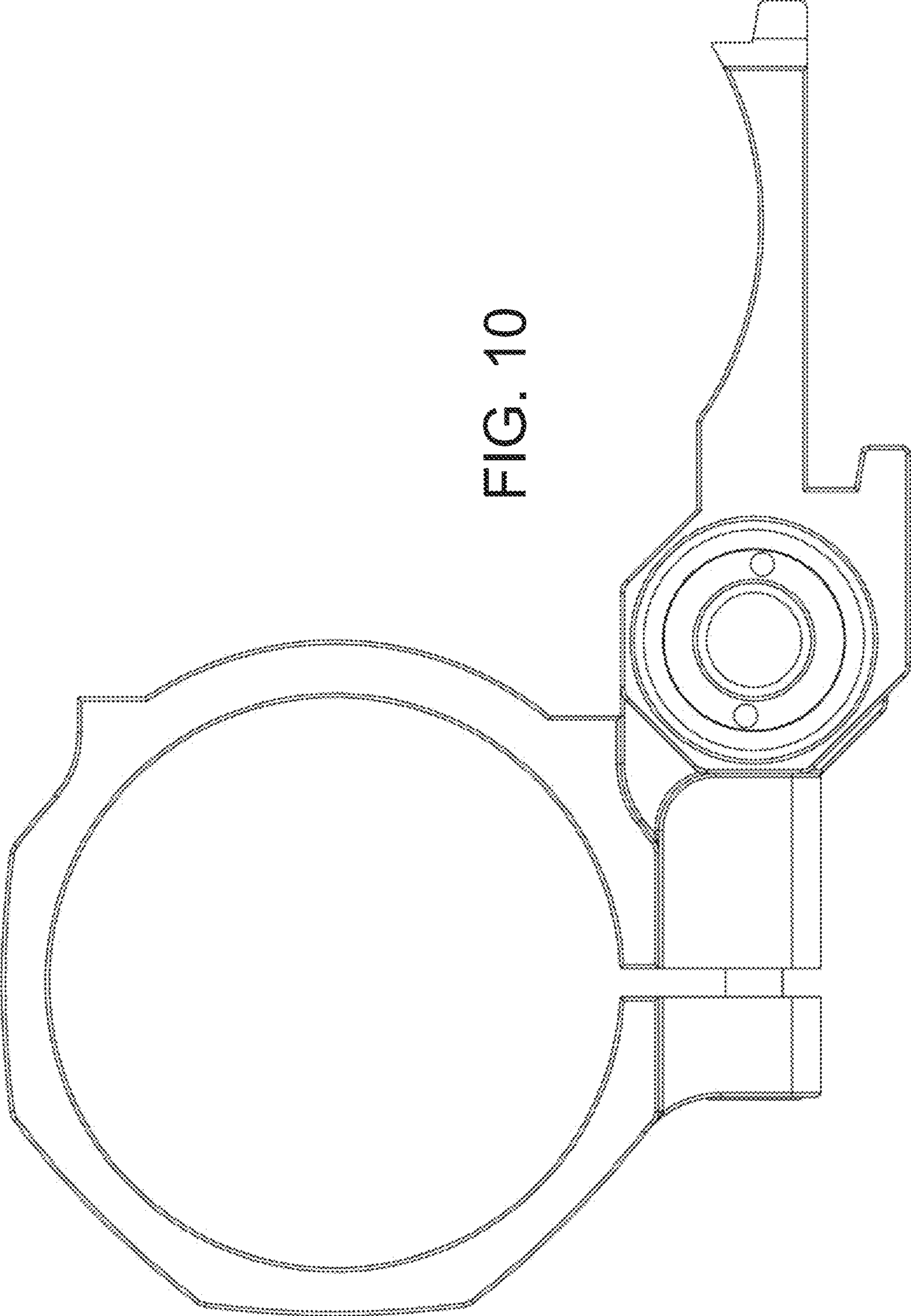


FIG. 10

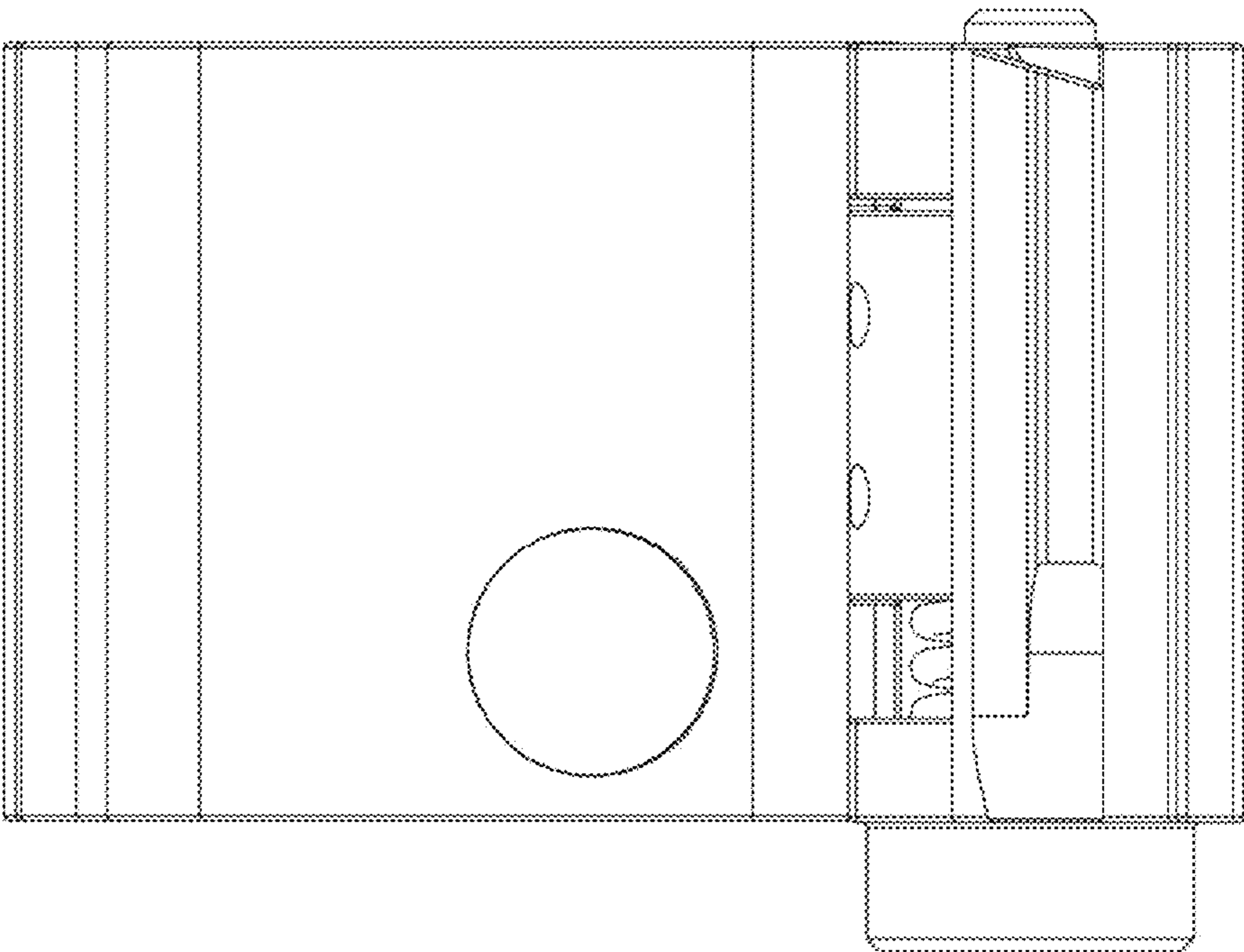


FIG. 11

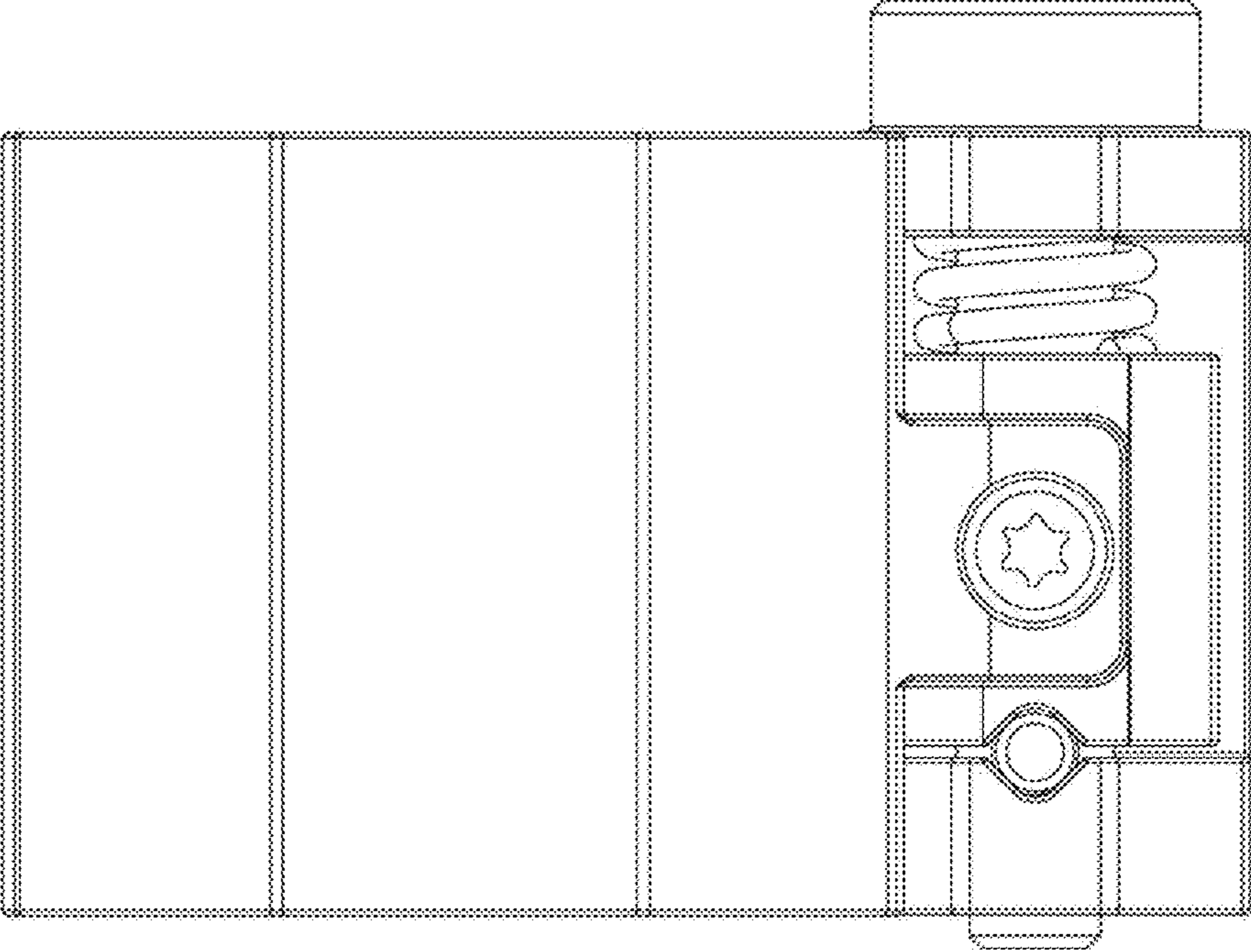


FIG. 12

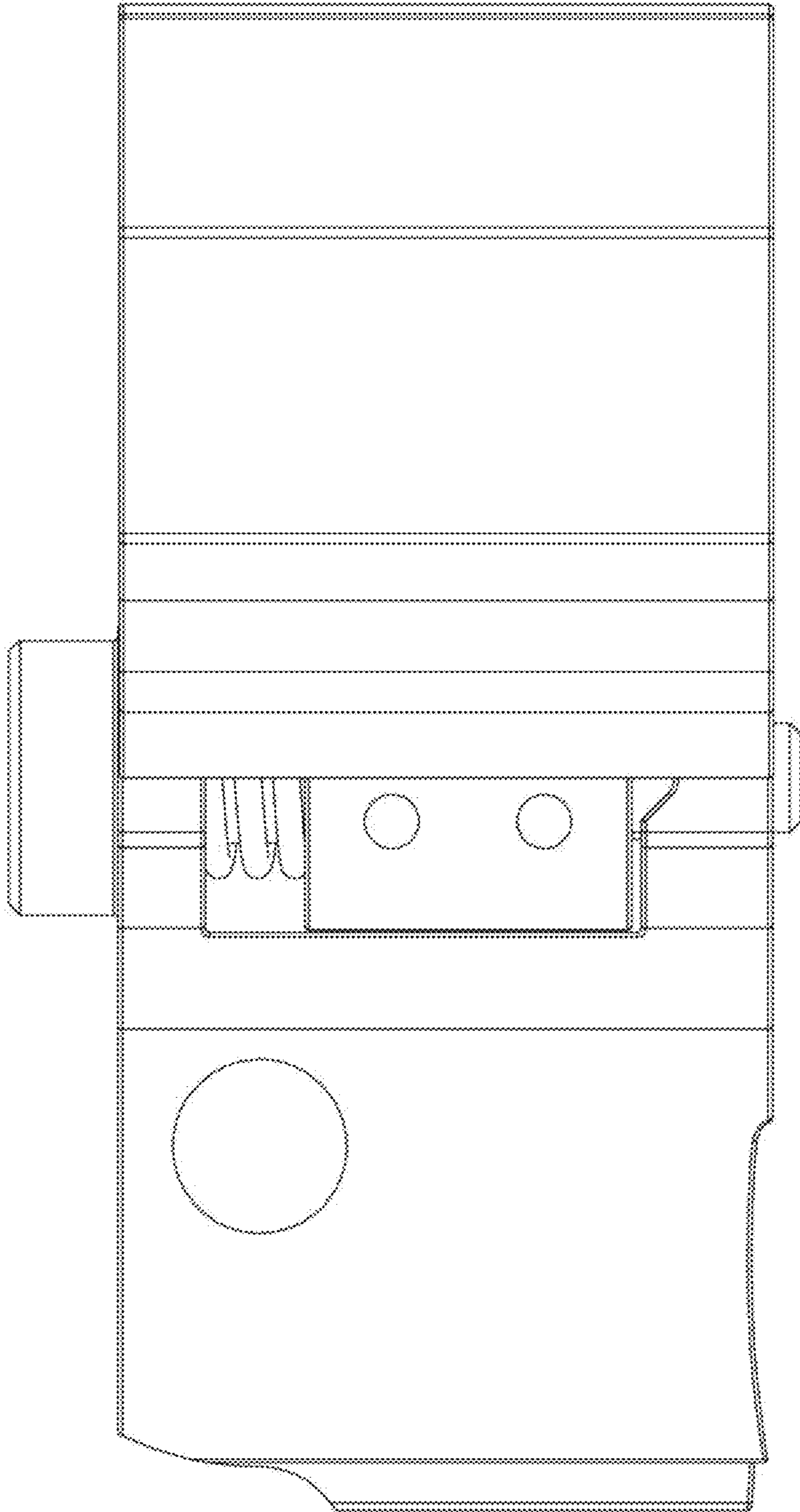


FIG. 13

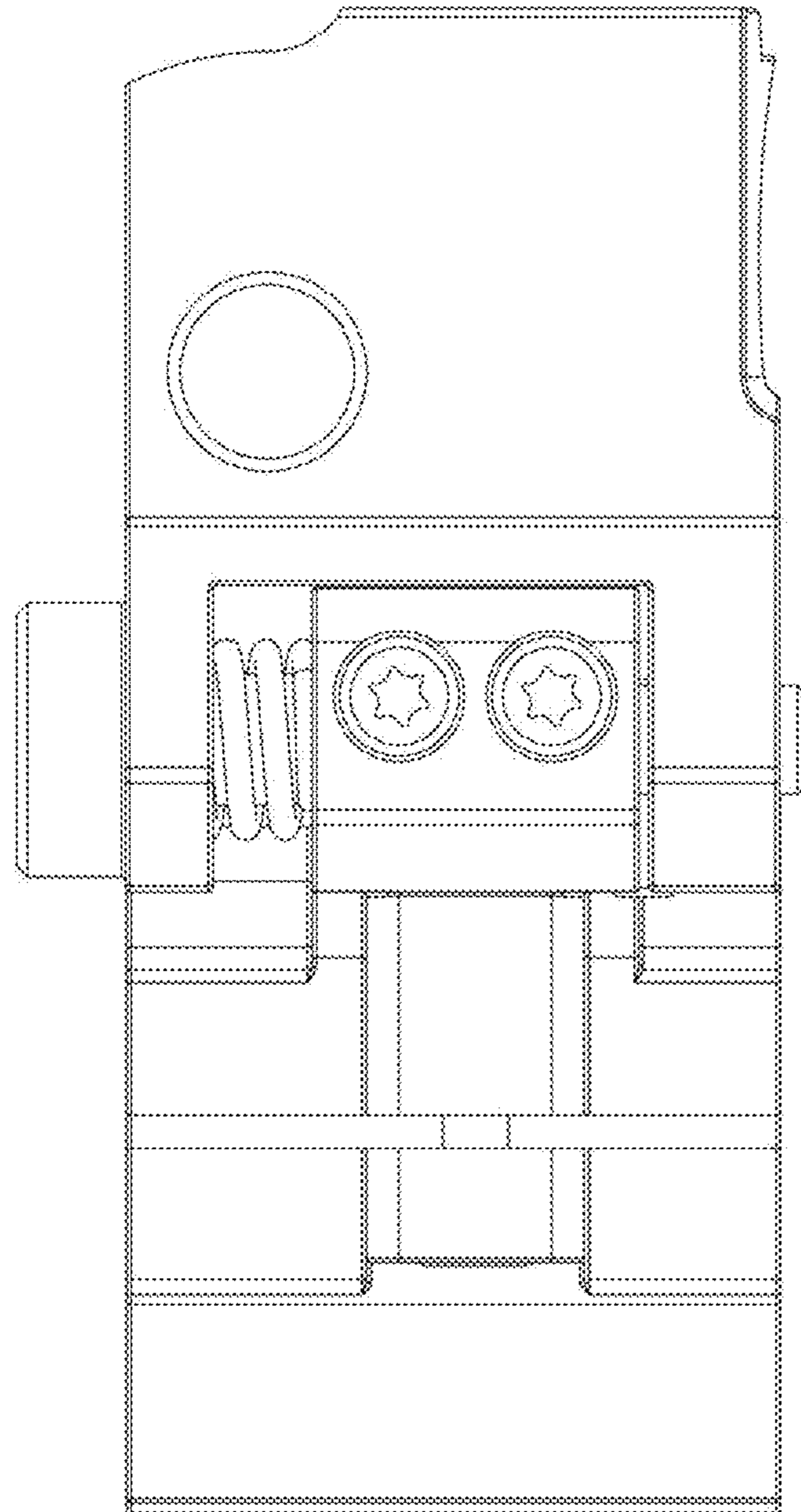


FIG. 14