



US00D806819S

(12) **United States Design Patent**
Thompson

(10) **Patent No.:** **US D806,819 S**

(45) **Date of Patent:** **** Jan. 2, 2018**

(54) **PISTOL HOLDER**

(71) Applicant: **South Georgia Microsystems Inc.,**
Baxley, GA (US)

(72) Inventor: **Richard Thompson,** Baxley, GA (US)

(73) Assignee: **SOUTH GEORGIA**
MICROSYSTEMS INC., Baxley, GA
(US)

(**) Term: **15 Years**

(21) Appl. No.: **29/560,956**

(22) Filed: **Apr. 12, 2016**

(51) **LOC (11) Cl.** **22-01**

(52) **U.S. Cl.**
USPC **D22/108**

(58) **Field of Classification Search**
USPC D7/509; D8/29; D22/108
CPC F41C 33/02
See application file for complete search history.

(56) **References Cited**

U.S. PATENT DOCUMENTS

1,579,553	A	*	4/1926	Ludlow	F41A 23/18
						224/191
D359,669	S	*	6/1995	Splingaire	D8/29
D408,685	S	*	4/1999	Lage	D7/509
D425,770	S	*	5/2000	Hsieh	D8/29
D425,861	S	*	5/2000	Shih	D13/134
D555,749	S	*	11/2007	Epp	D22/108
D563,171	S	*	3/2008	Mansfield	D7/509

D573,406	S	*	7/2008	Thurmond, Jr.	D7/509
D756,183	S	*	5/2016	Yeh	D8/29
D758,815	S	*	6/2016	Solar	D8/29
D776,505	S	*	1/2017	Doroslovac	D8/29
2014/0021235	A1	*	1/2014	Hunter	F41C 33/02
						224/587

* cited by examiner

Primary Examiner — Karen S Acker

Assistant Examiner — Steven B Reinholdt, Jr.

(74) *Attorney, Agent, or Firm* — McClure, Qualey & Rodack, LLP

(57) **CLAIM**

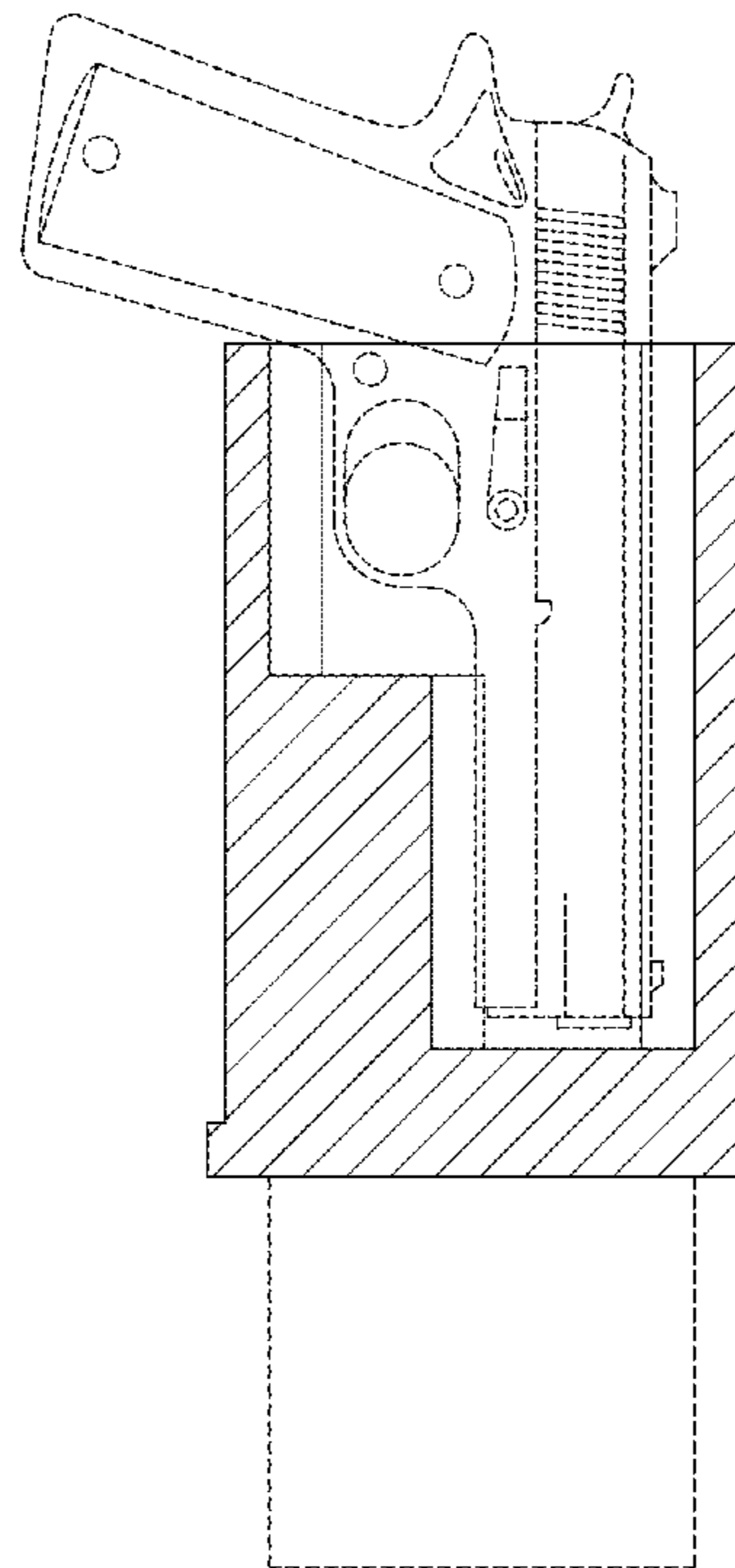
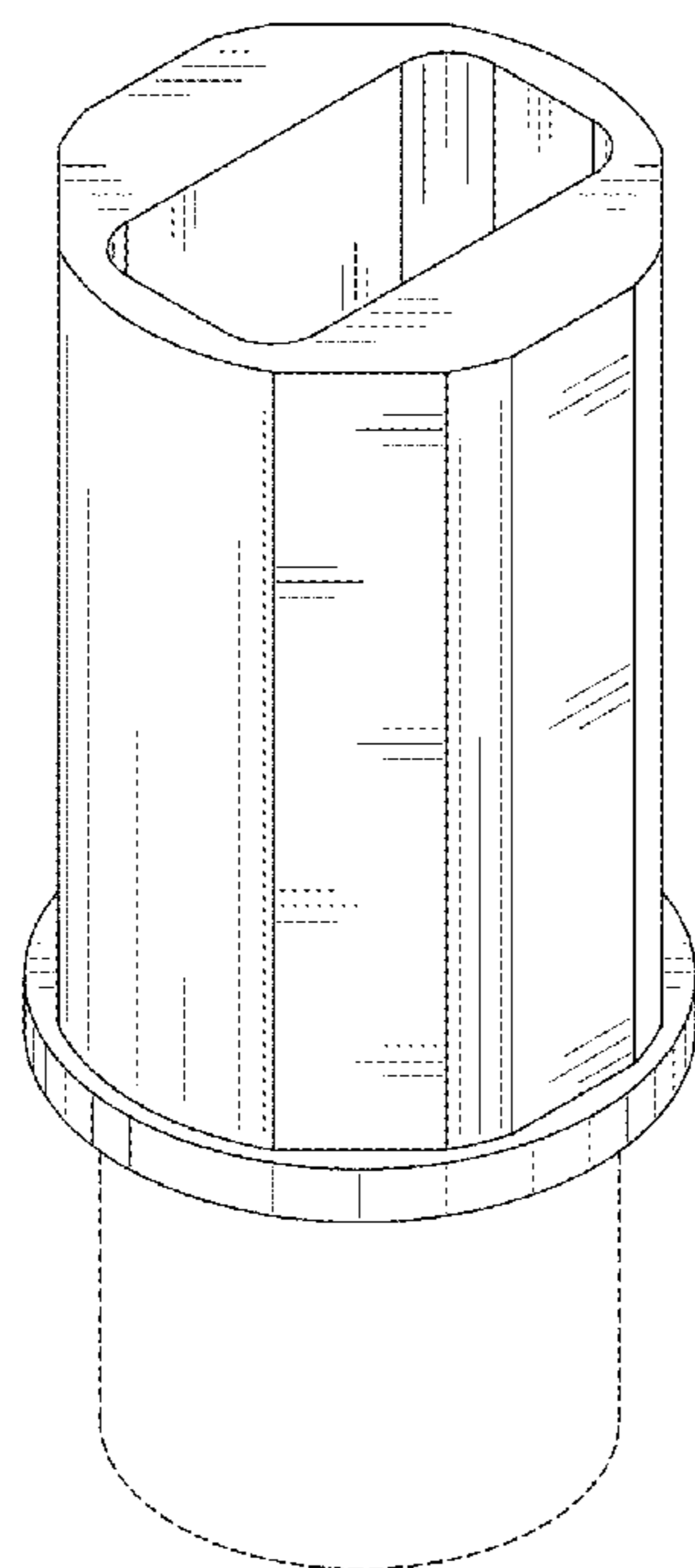
The ornamental design for the pistol holder, as shown and described.

DESCRIPTION

FIG. 1 is a perspective view showing my new pistol holder; FIG. 2 is an alternate perspective view thereof; FIG. 3 is a right side elevational view thereof, the left side being a mirror image thereof; FIG. 4 is a front elevational view thereof, the rear view being a mirror image thereof; FIG. 5 is a top plan view thereof; FIG. 6 is a bottom plan view thereof; and, FIG. 7 is a cross-sectional view thereof, the view being taken along line 7-7 of FIG. 3.

The broken lines forming a cylinder on the bottom of the pistol holder form no part of the claimed design. The broken line showing of a pistol in FIG. 7 illustrates environment and forms no part of the claim.

1 Claim, 3 Drawing Sheets



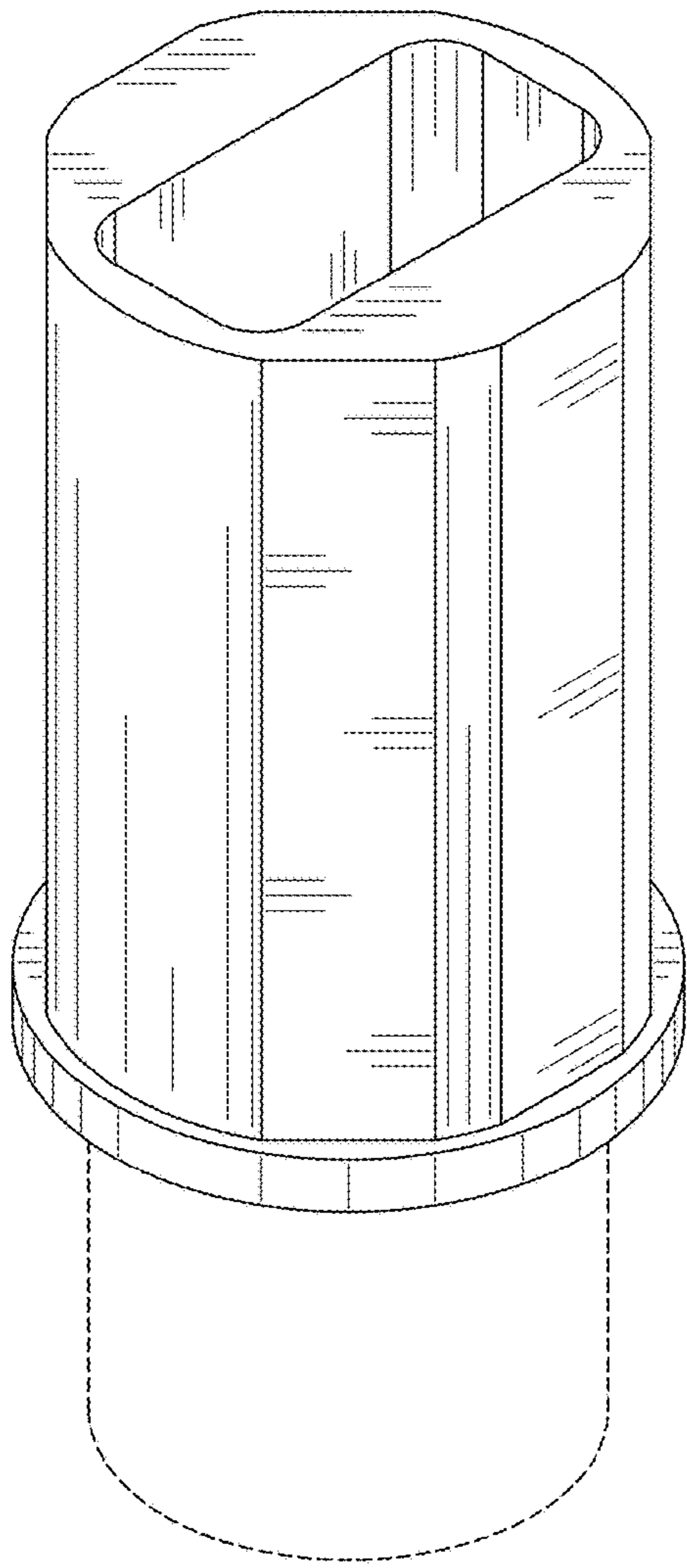


FIG. 1

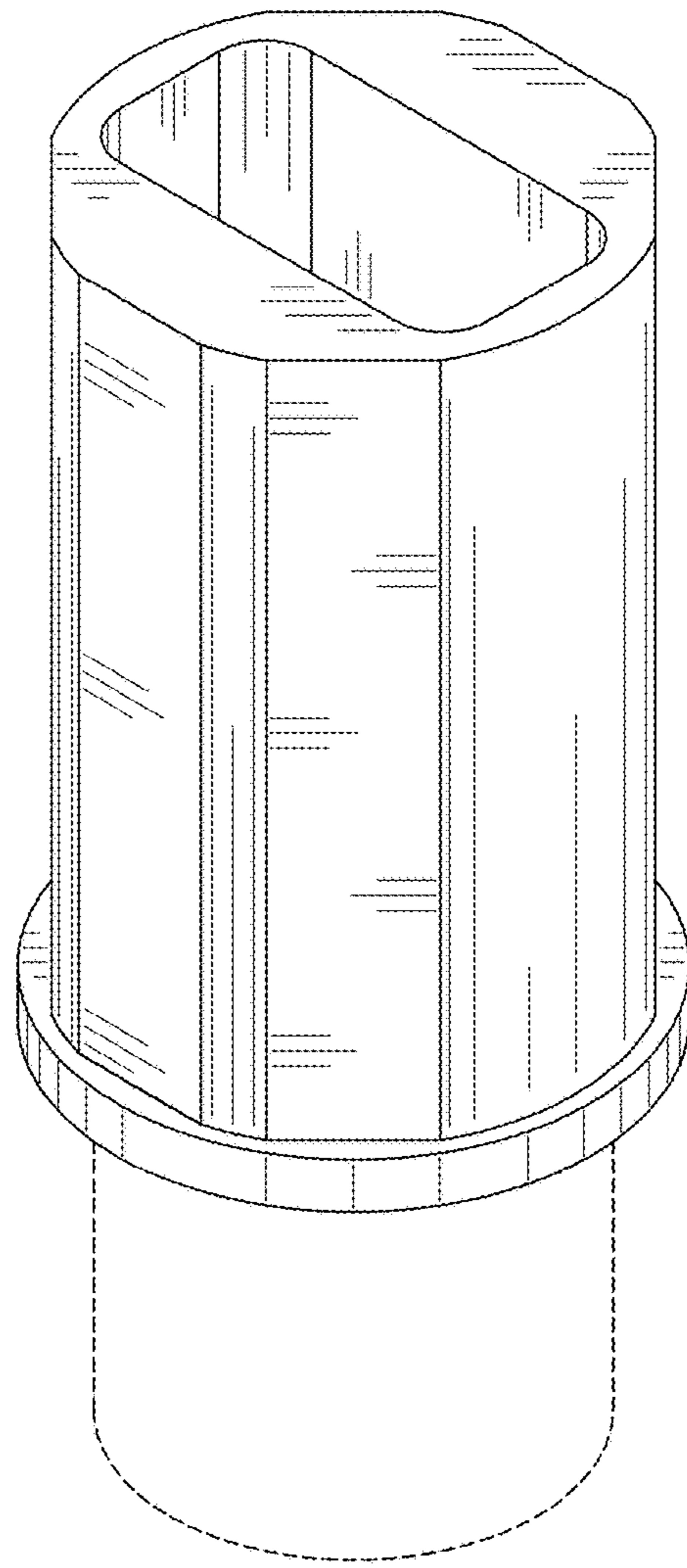


FIG. 2

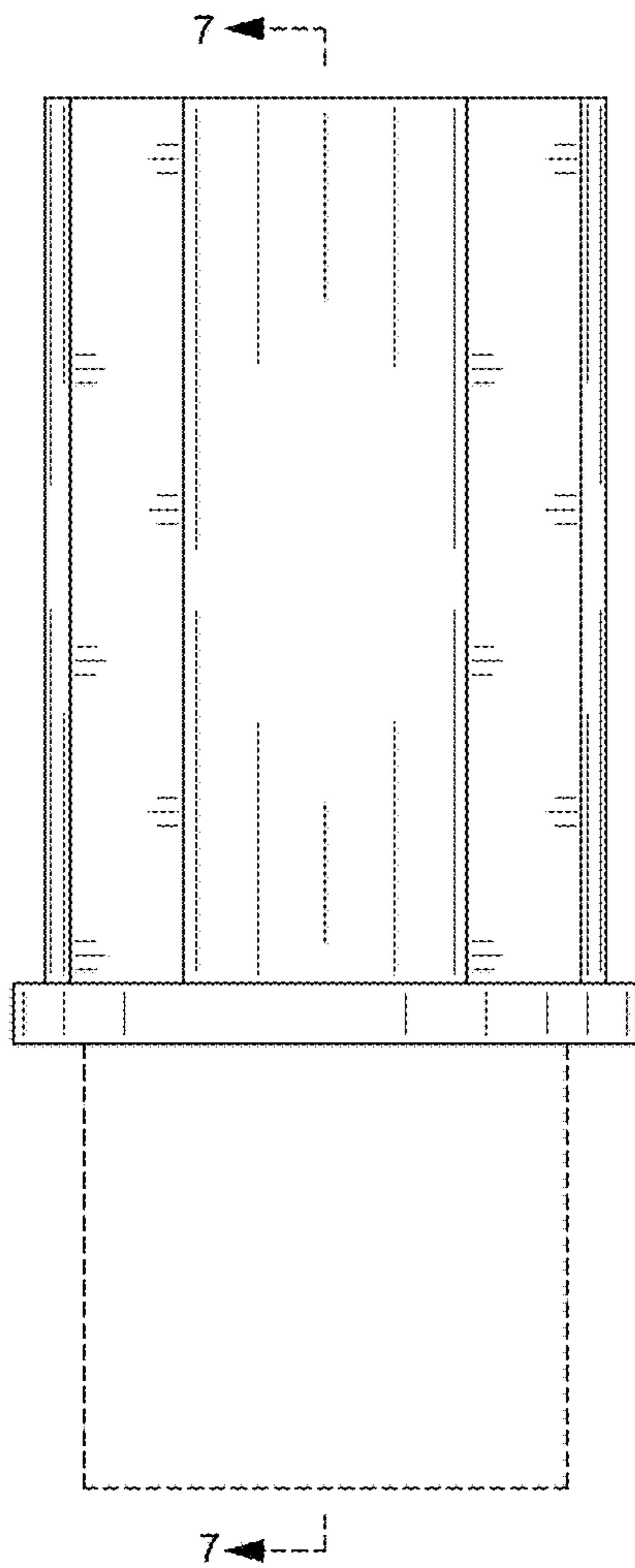


FIG. 3

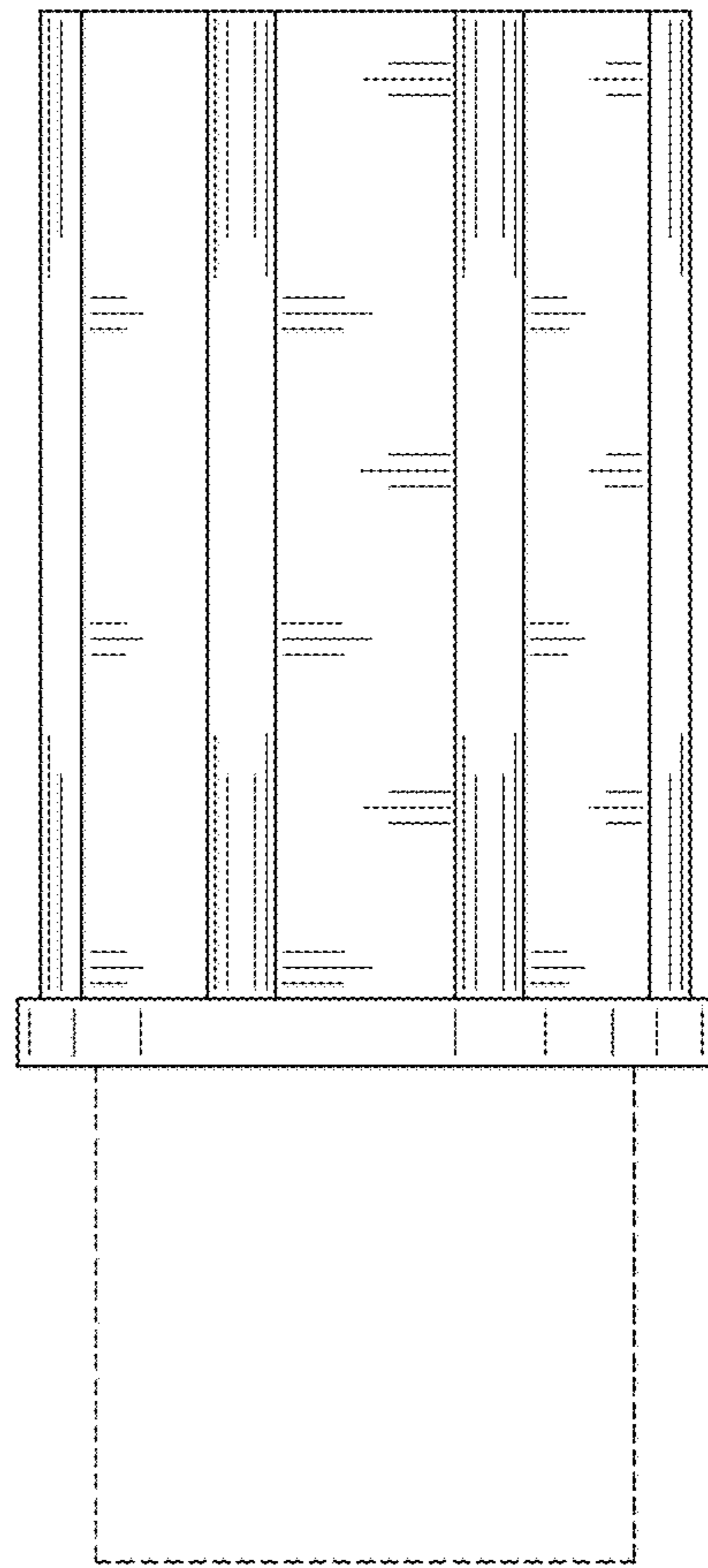


FIG. 4

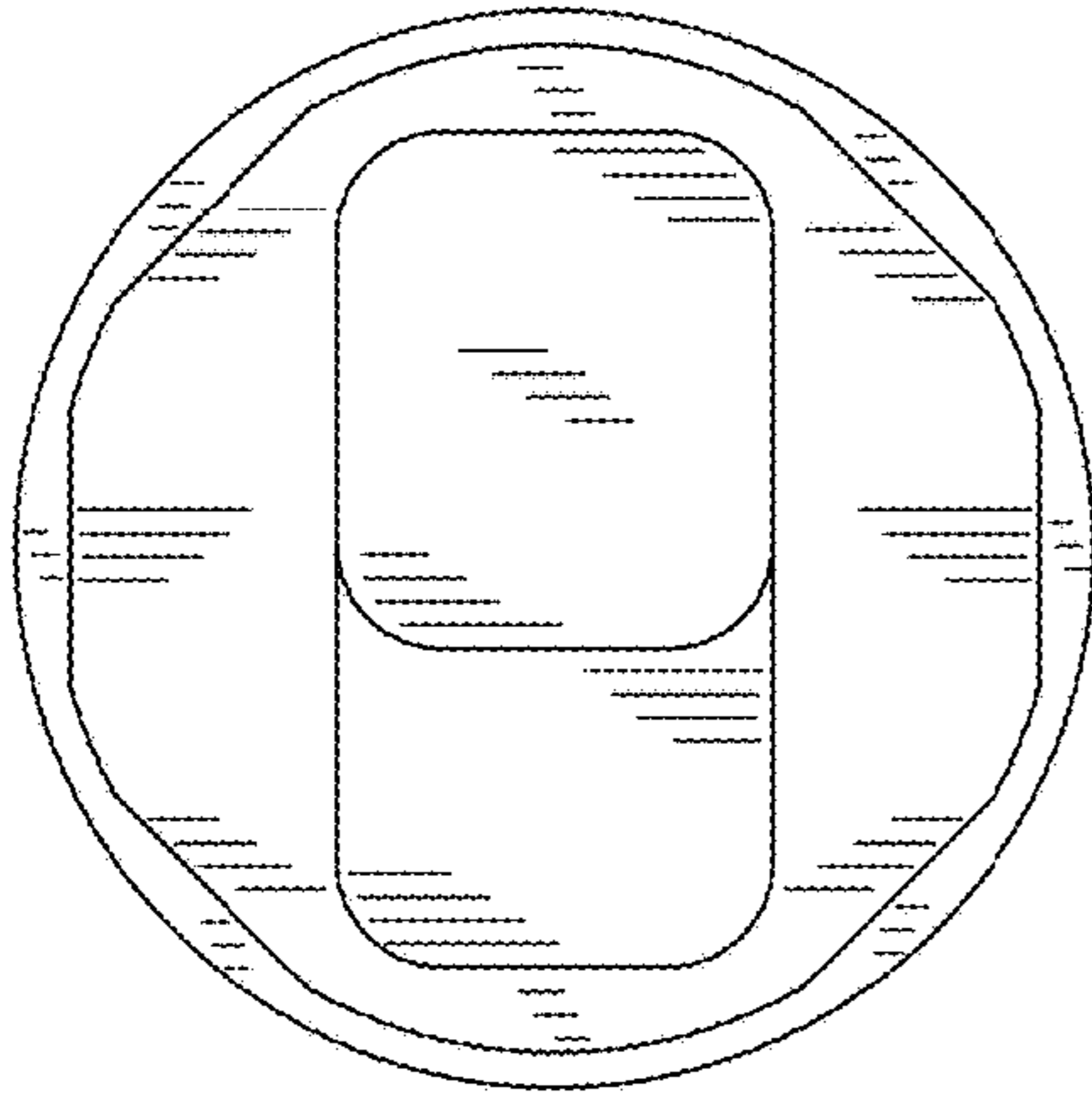


FIG. 5

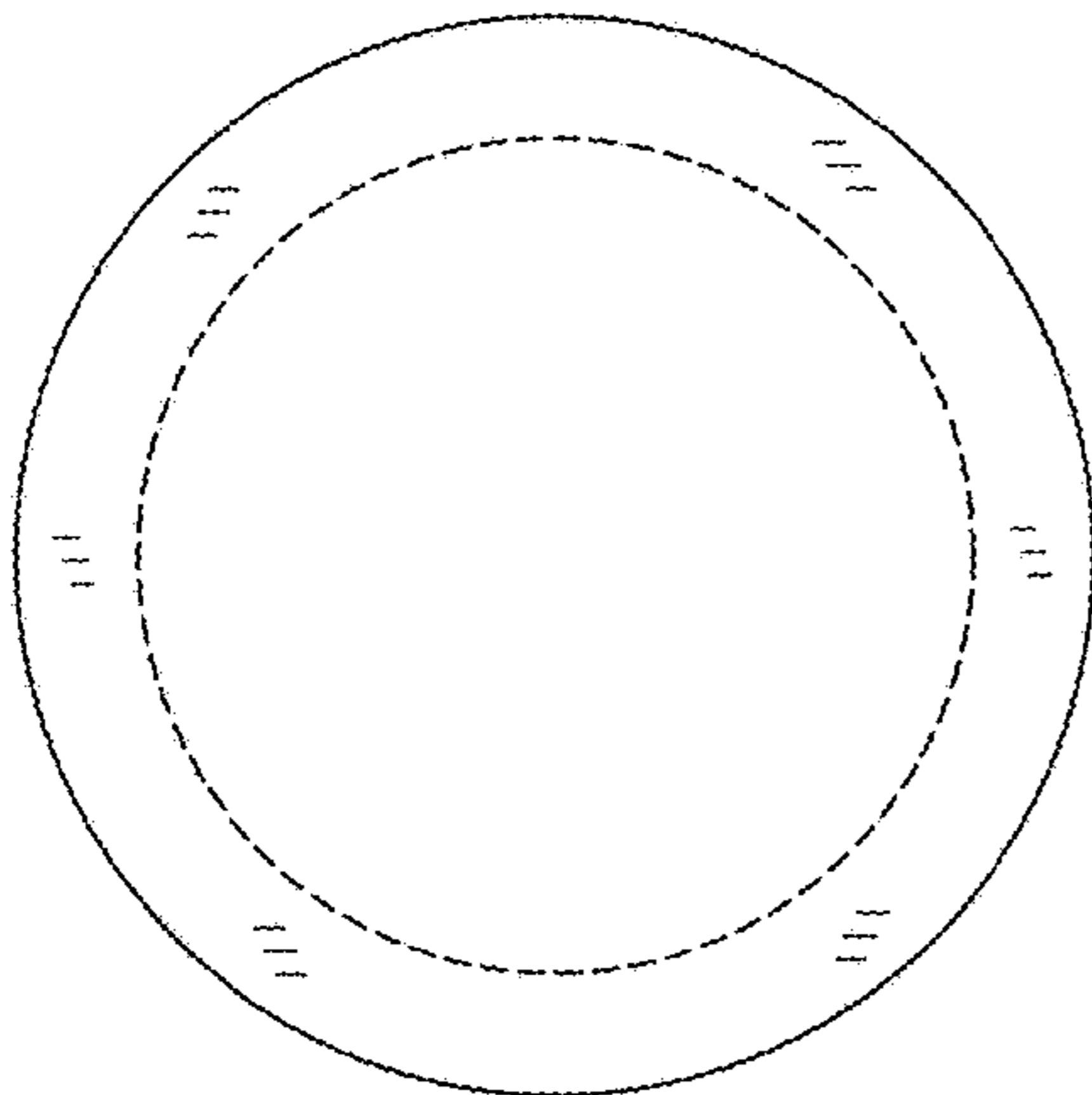


FIG. 6

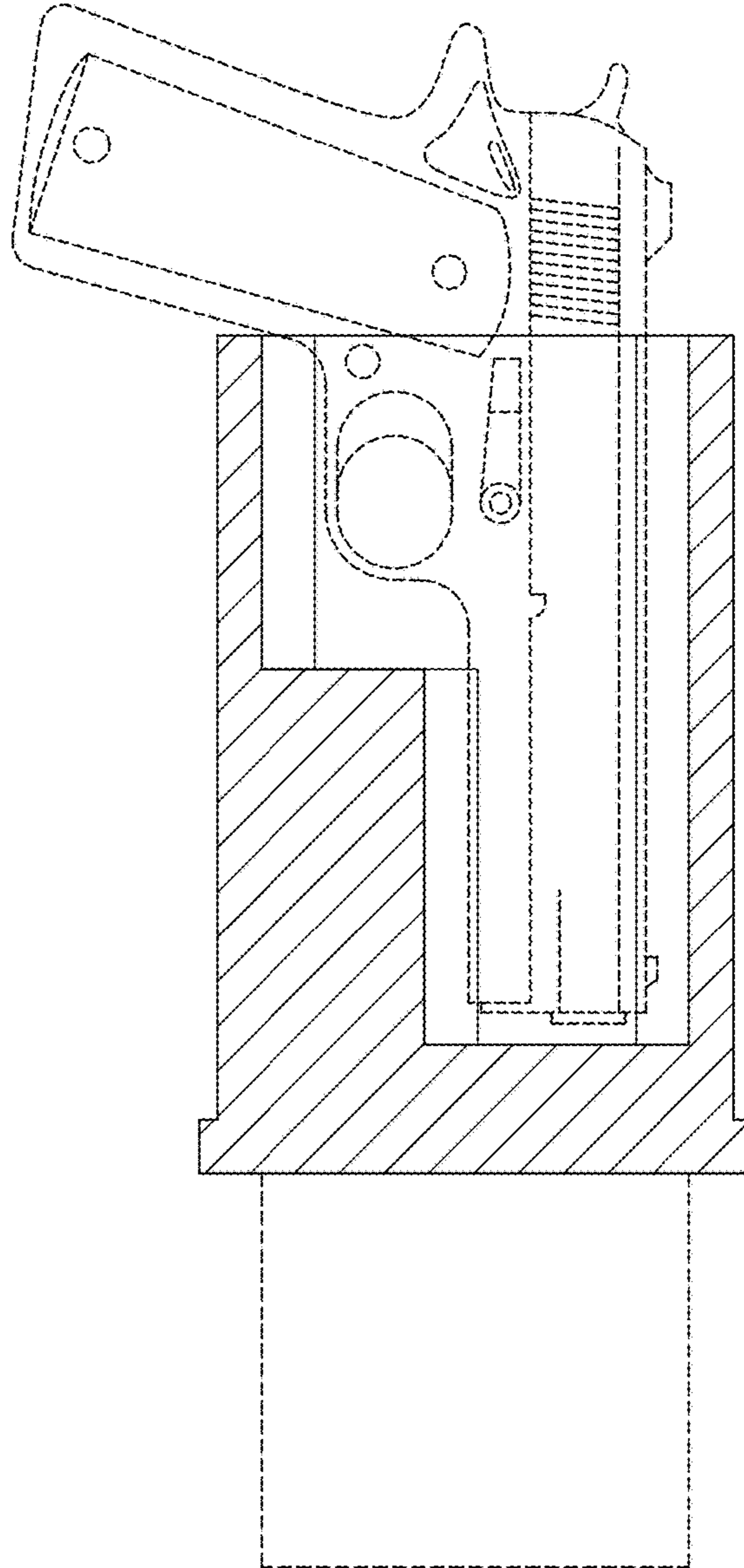


FIG. 7