



US00D806818S

(12) **United States Design Patent**  
**Major**

(10) **Patent No.:** **US D806,818 S**

(45) **Date of Patent:** **\*\* Jan. 2, 2018**

(54) **PISTOL MOUNT BRACKET FOR MOUNTING AN UNCLAIMED PISTOL ON AN UNCLAIMED RIFLE**

(71) Applicant: **Joseph Bernard Major**, Roland, AR (US)

(72) Inventor: **Joseph Bernard Major**, Roland, AR (US)

(\*\*) Term: **15 Years**

(21) Appl. No.: **29/560,906**

(22) Filed: **Apr. 12, 2016**

(51) **LOC (11) Cl.** ..... **22-01**

(52) **U.S. Cl.**  
USPC ..... **D22/108**

(58) **Field of Classification Search**  
USPC ..... D22/103, 108; D21/572-575; D14/418  
CPC ..... F41C 23/00; F41C 27/00; F41C 27/06;  
F41C 23/10; F41C 23/14; F41C 23/16;  
F41C 23/18; F41A 5/18; F41A 5/24;  
F41A 21/28

See application file for complete search history.

(56) **References Cited**

**U.S. PATENT DOCUMENTS**

5,483,362 A \* 1/1996 Tai ..... F41G 1/30  
359/1  
6,318,014 B1 \* 11/2001 Porter ..... F41C 23/12  
42/71.01

8,371,056 B1 \* 2/2013 Baker ..... F41G 11/003  
42/106  
8,857,096 B2 \* 10/2014 McClintock ..... F41C 27/00  
42/72  
9,470,480 B2 \* 10/2016 Kirchhoff ..... F41G 11/001  
2011/0225865 A1 \* 9/2011 Williams ..... F41C 7/02  
42/90  
2014/0157644 A1 \* 6/2014 Jiminez ..... F41G 11/003  
42/114

\* cited by examiner

*Primary Examiner* — Michael A Pratt

(74) *Attorney, Agent, or Firm* — Joe D. Calhoun

(57) **CLAIM**

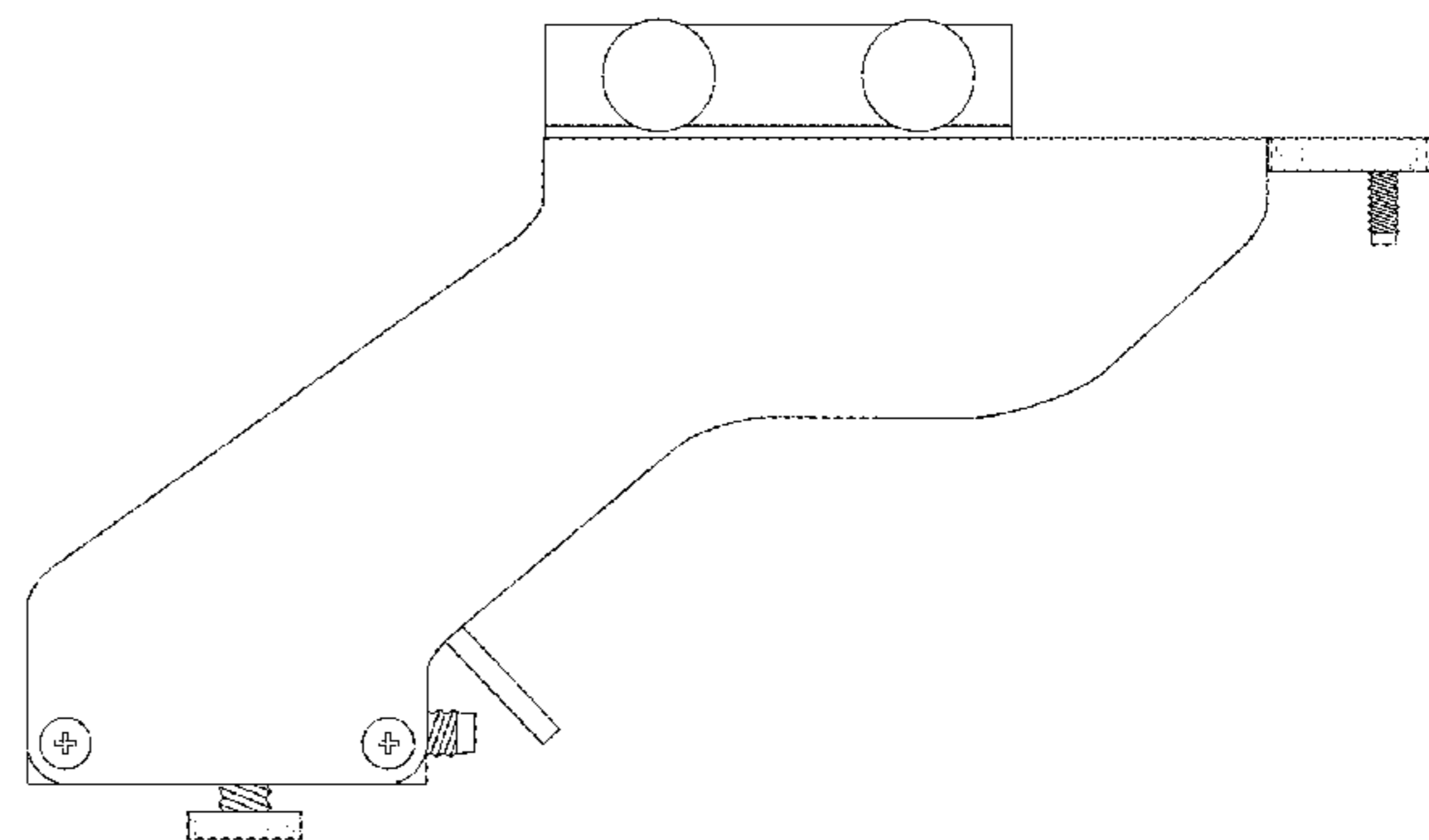
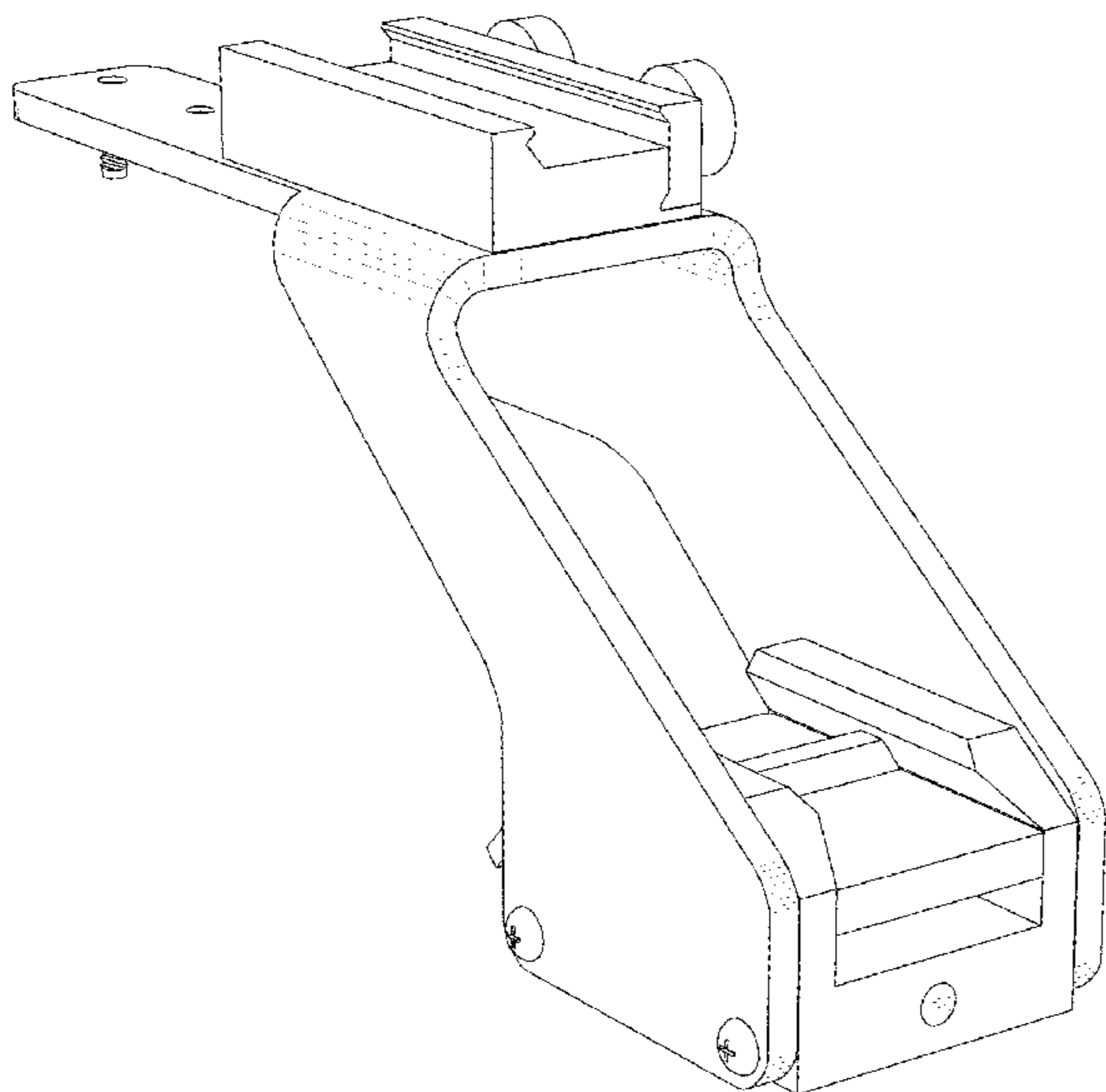
The ornamental design of a pistol mount bracket for mounting an unclaimed pistol on an unclaimed rifle, as shown and described.

**DESCRIPTION**

FIG. 1 is a perspective view of a pistol mount bracket for mounting an unclaimed pistol on an unclaimed rifle.  
FIG. 2 is another perspective view of the bracket of FIG. 1, with both the unclaimed pistol and unclaimed rifle removed.  
FIG. 3 is a rear elevation view of thereof.  
FIG. 4 is a front elevation view thereof.  
FIG. 5 is a right side elevation view thereof.  
FIG. 6 is a left side elevation view thereof.  
FIG. 7 is a top plan view thereof; and,  
FIG. 8 is a bottom plan view thereof.

The broken lines are for illustrating the environment of the bracket, and do not form part of the claimed design.

**1 Claim, 5 Drawing Sheets**



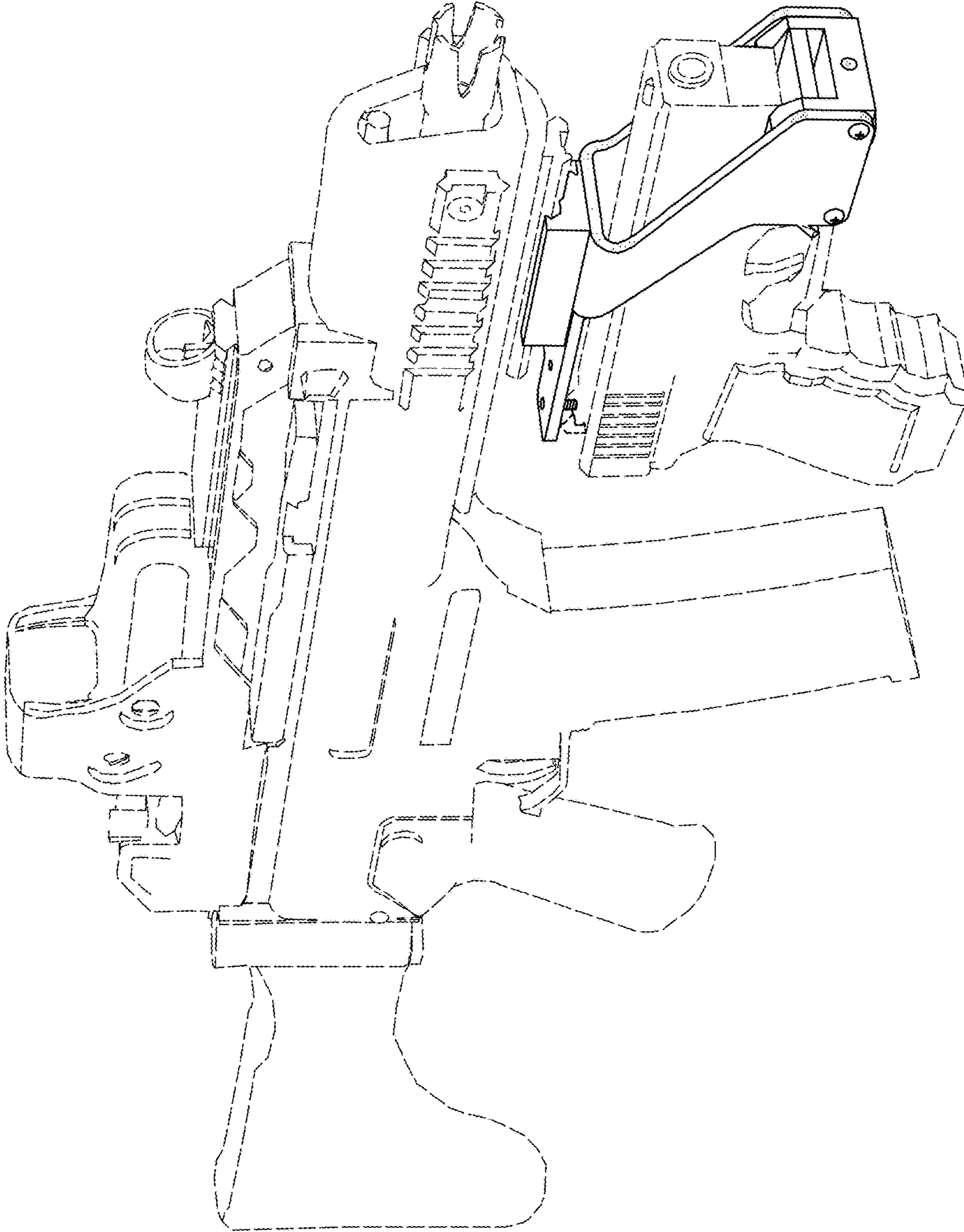


FIG. 1

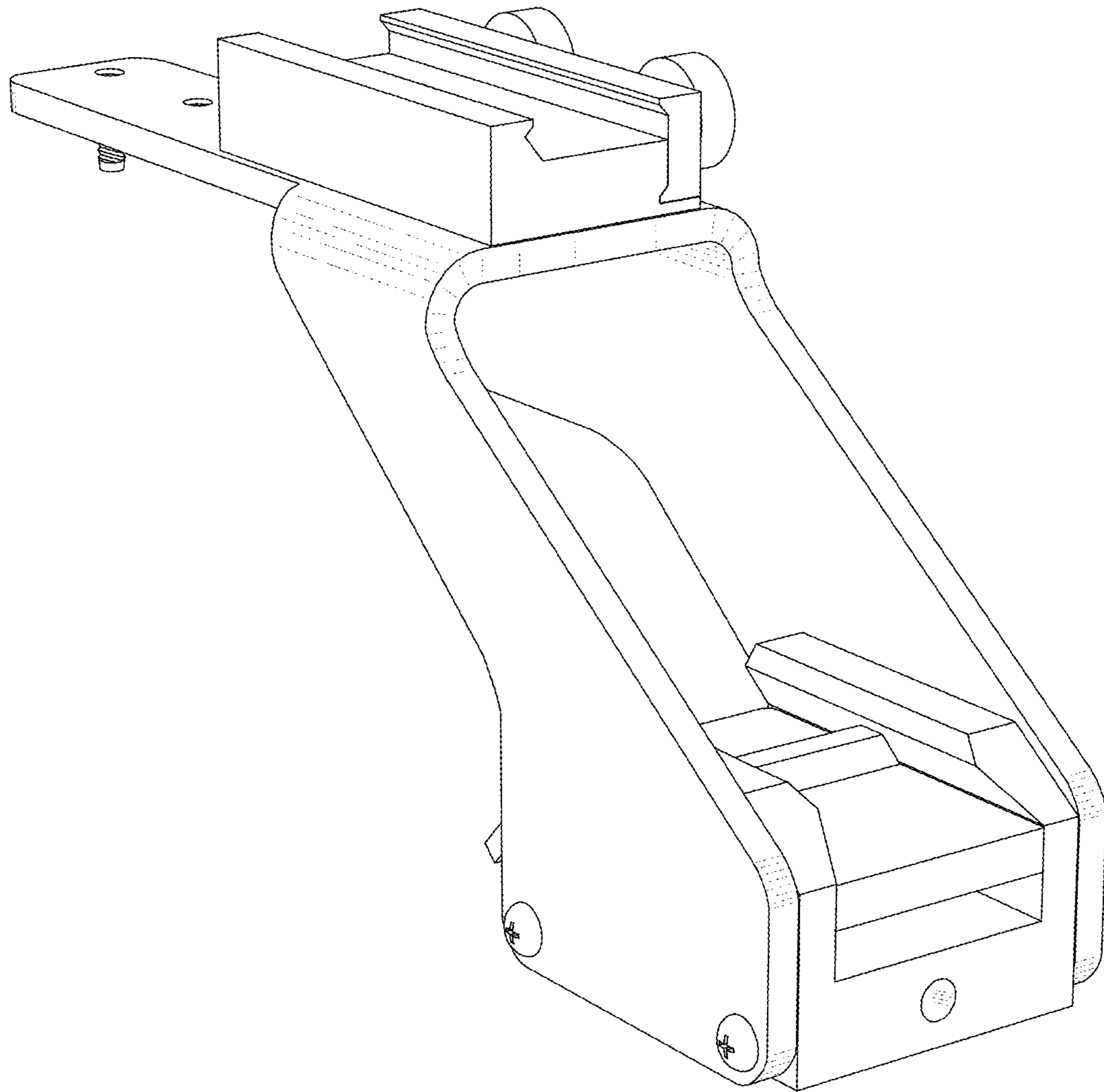


FIG. 2

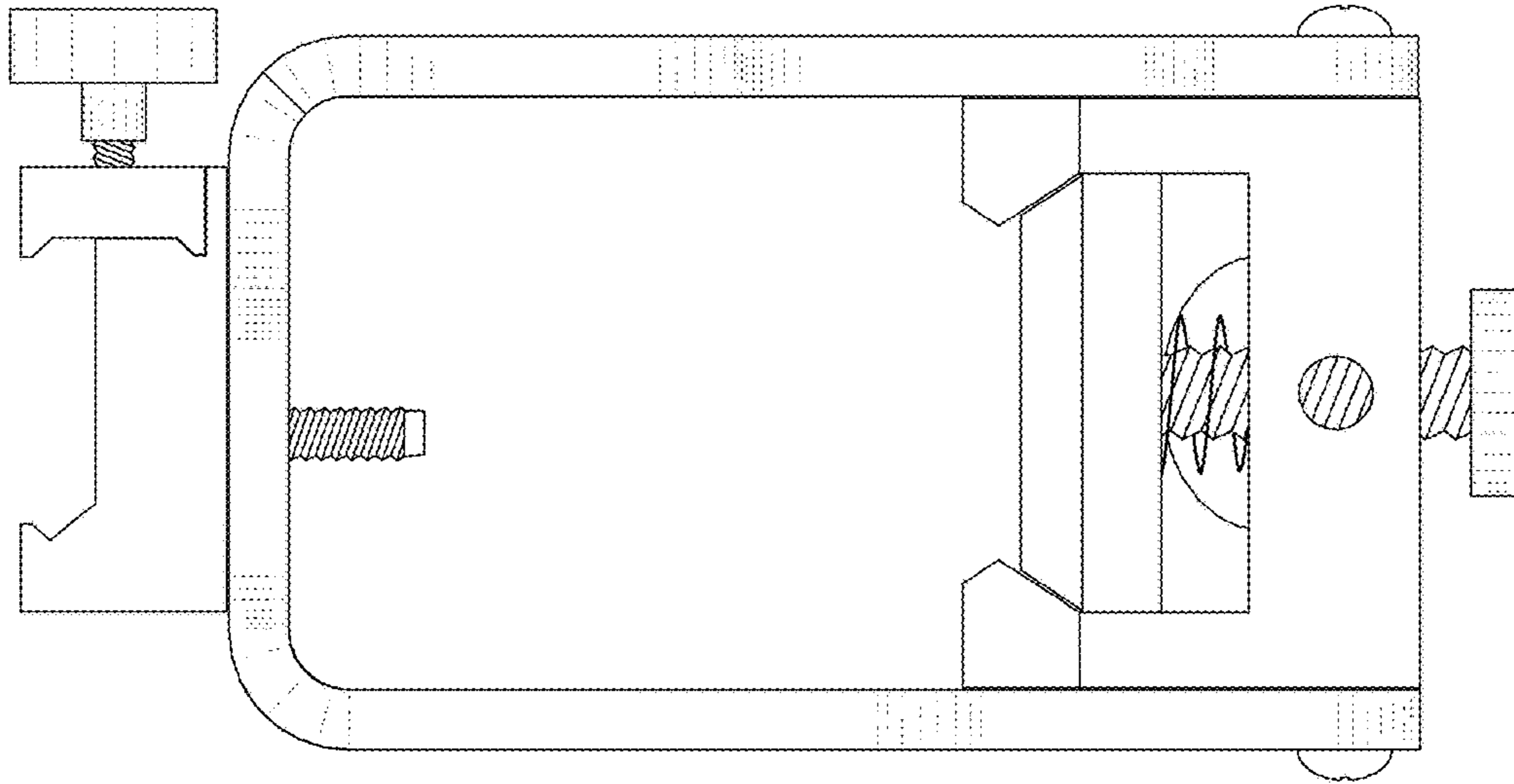


FIG. 4

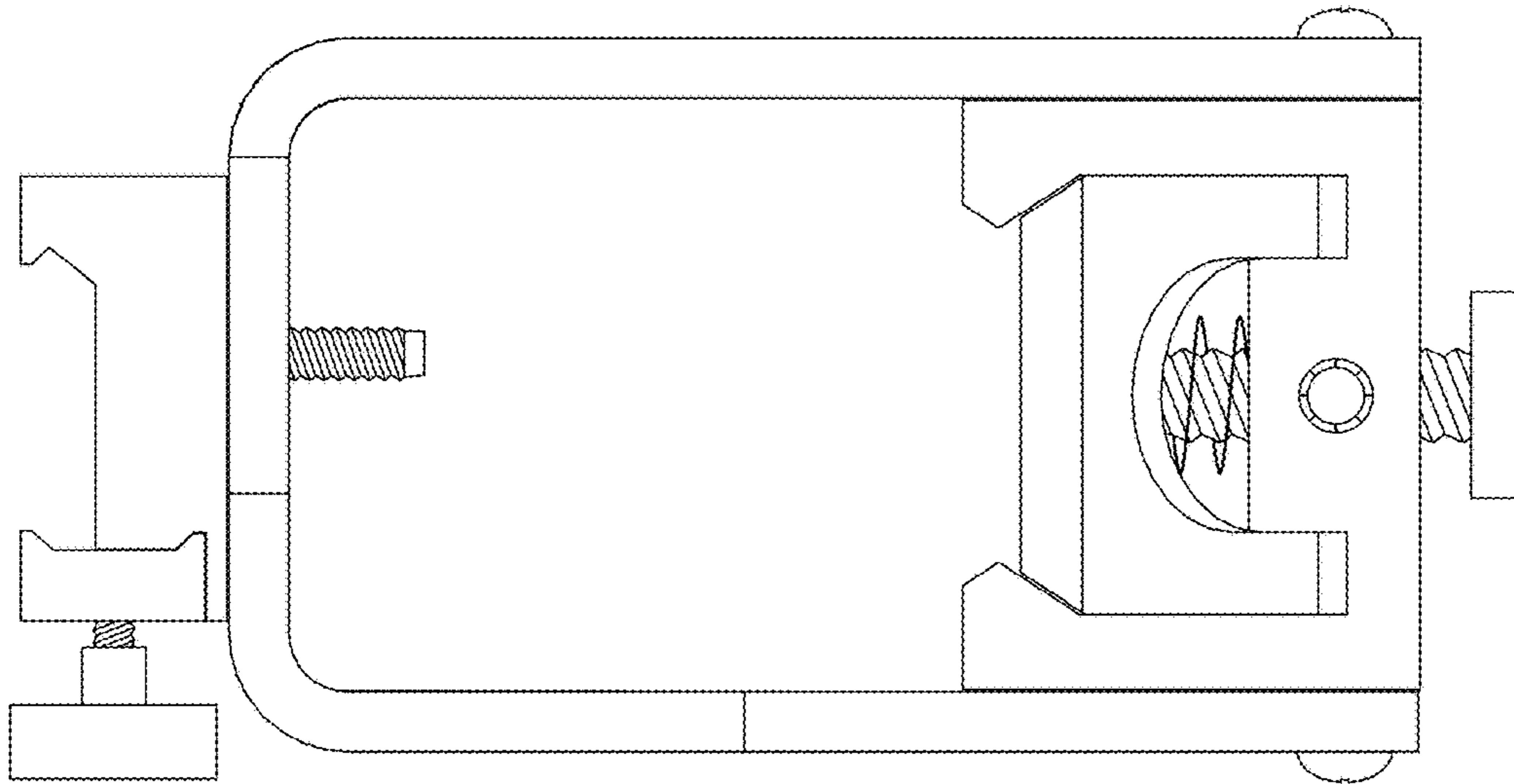


FIG. 3

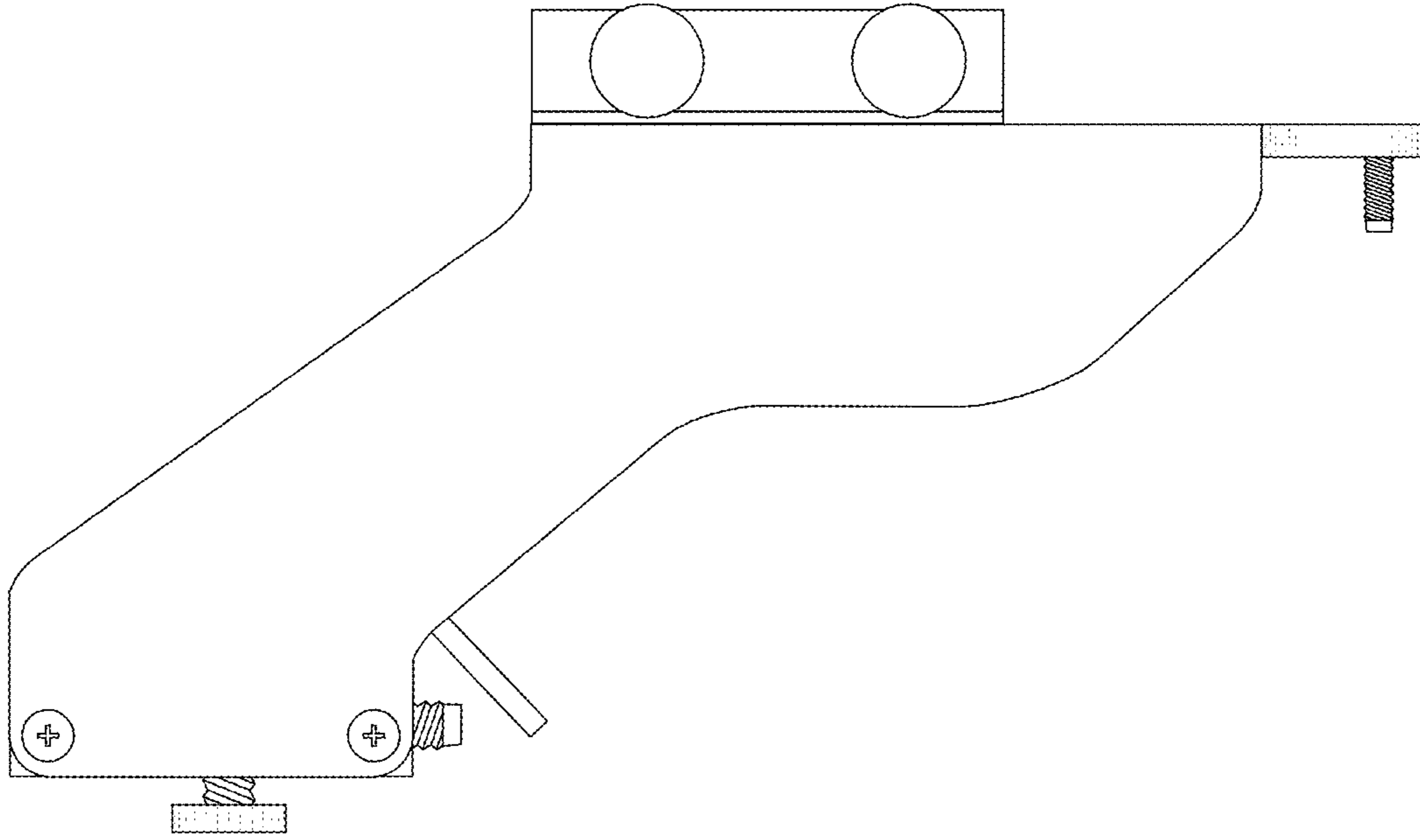


FIG. 5

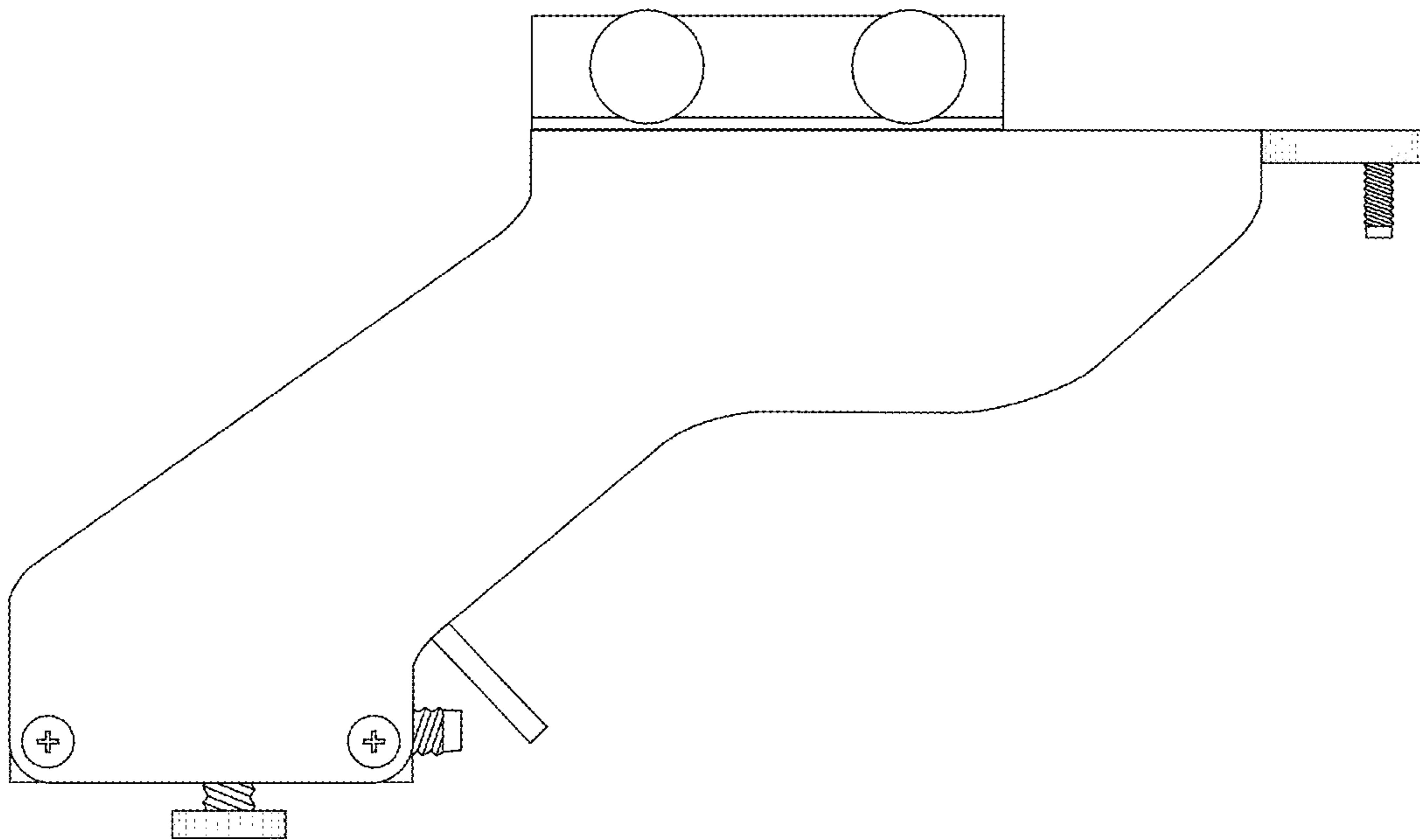


FIG. 6

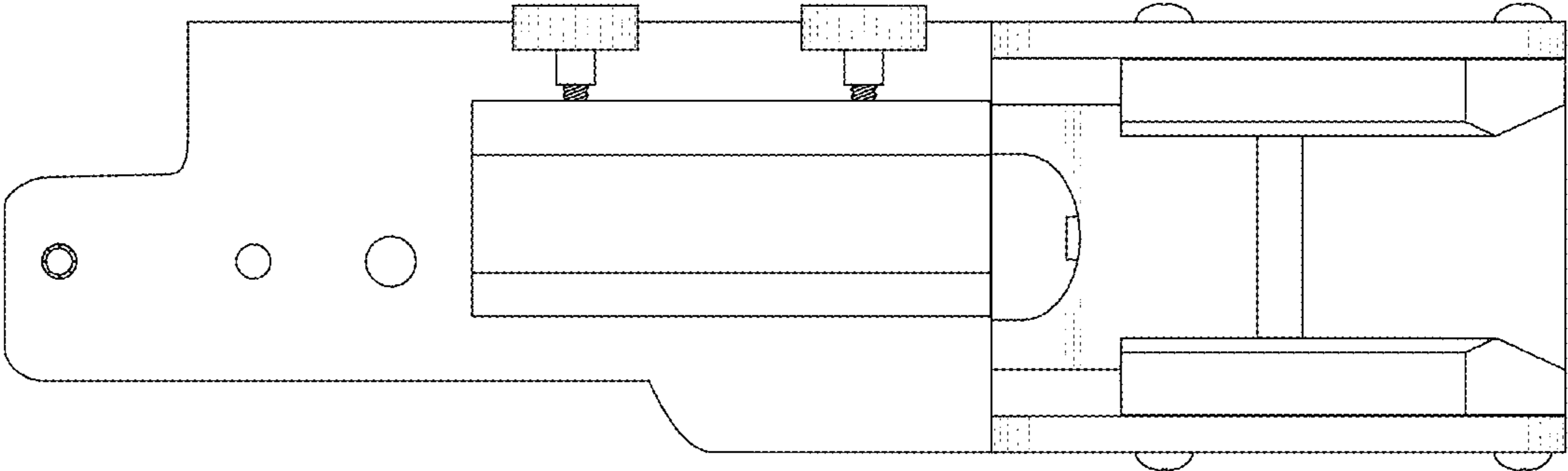


FIG. 7

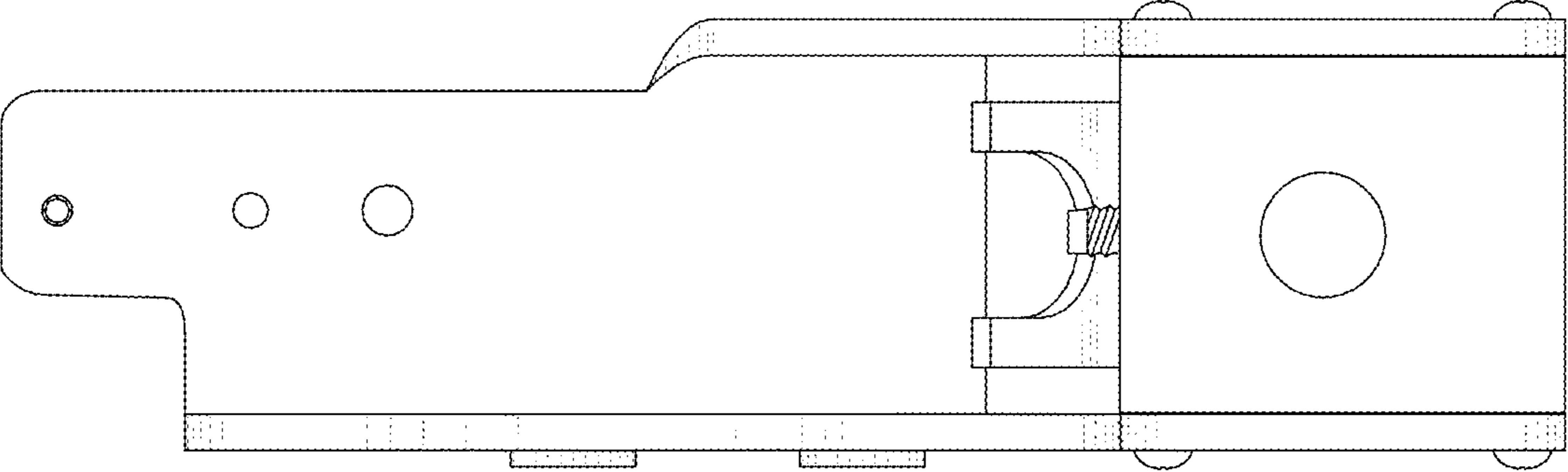


FIG. 8