

US00D806817S

(12) **United States Design Patent**
Bentsen et al.

(10) **Patent No.:** **US D806,817 S**
(45) **Date of Patent:** **** Jan. 2, 2018**

(54) **EXERCISING APPARATUS**

(71) Applicant: **KOMPAN A/S**, Odense Sø (DK)
(72) Inventors: **Nikolaj Maj Bentsen**, Vejle Ø (DK);
Martin Nørgaard Johansen, Skårup
Fyn (DK)
(73) Assignee: **KOMPAN A/S**, Odense (DK)

(**) Term: **15 Years**

(21) Appl. No.: **35/500,802**

(22) Filed: **Mar. 1, 2016**

(80) **Hague Agreement Data**

Int. Filing Date: **Mar. 1, 2016**
Int. Reg. No.: **DM/089964**
Int. Reg. Date: **Mar. 1, 2016**
Int. Reg. Pub. Date: **Apr. 8, 2016**

(30) **Foreign Application Priority Data**

Sep. 2, 2015 (EM) 002764803

(51) **LOC (11) Cl.** **21-03**

(52) **U.S. Cl.**
USPC **D21/826**

(58) **Field of Classification Search**
USPC D21/826, 814
CPC A63B 9/00
See application file for complete search history.

(56) **References Cited**

U.S. PATENT DOCUMENTS

D187,138 S * 2/1960 Highberger 482/27
D472,954 S * 4/2003 Kohler D21/826
D615,607 S * 5/2010 Hwang D21/826
D628,668 S * 12/2010 Kilgriff D21/826
8,113,992 B2 * 2/2012 Koehler A63B 9/00
482/35
D731,611 S * 6/2015 Klein D21/826

* cited by examiner

Primary Examiner — George D Kirschbaum

(74) *Attorney, Agent, or Firm* — Margaret Polson; Polson
Intellectual Property Law, PC

(57) **CLAIM**

The ornamental design for an exercising apparatus, as
shown and described.

DESCRIPTION

1.1 is a perspective view.

1.2 is a right plan view.

1.3 is a front view.

1.4 is a left plan view.

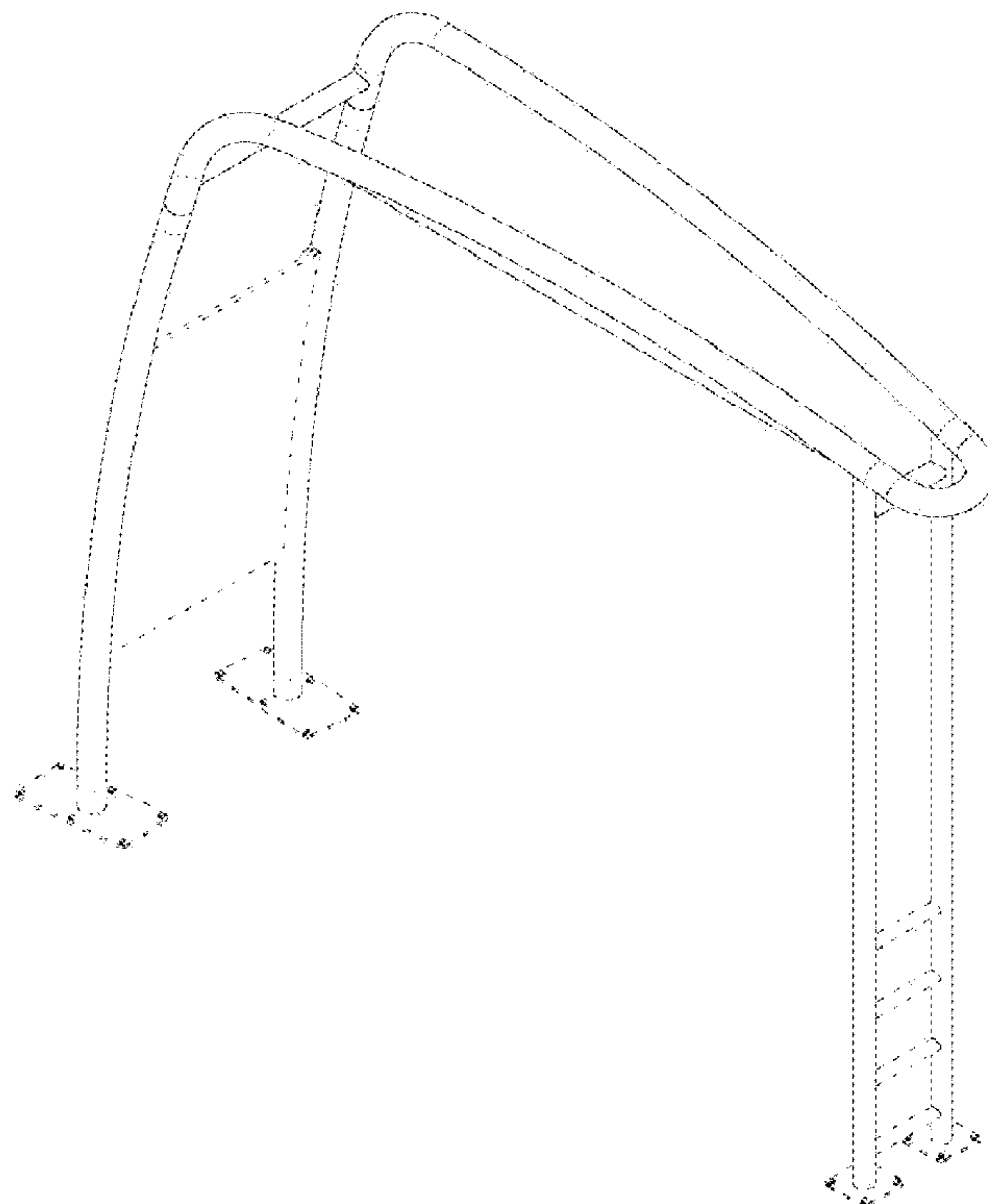
1.5 is a rear view.

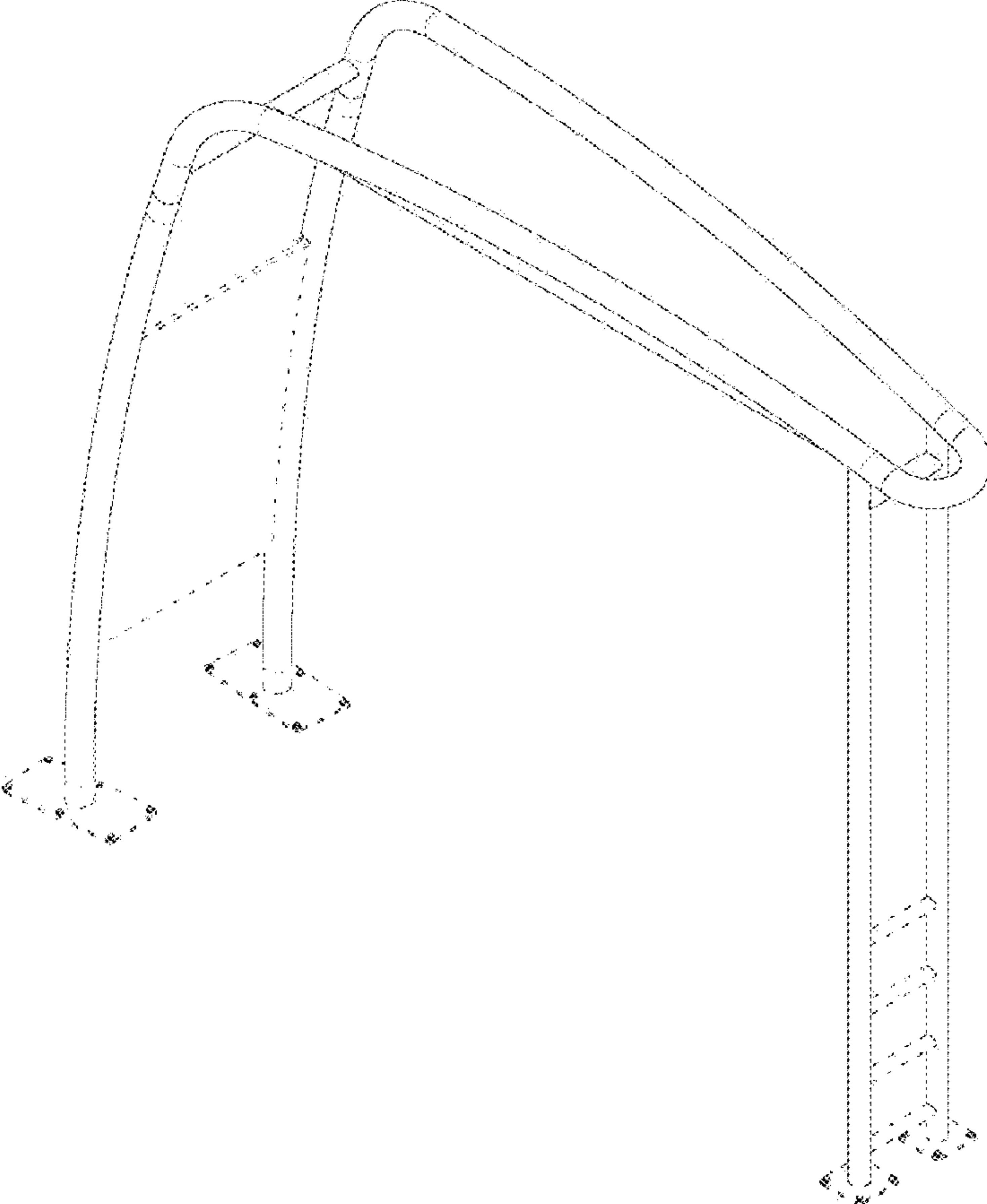
1.6 is a top view.

1.7 is a bottom view.

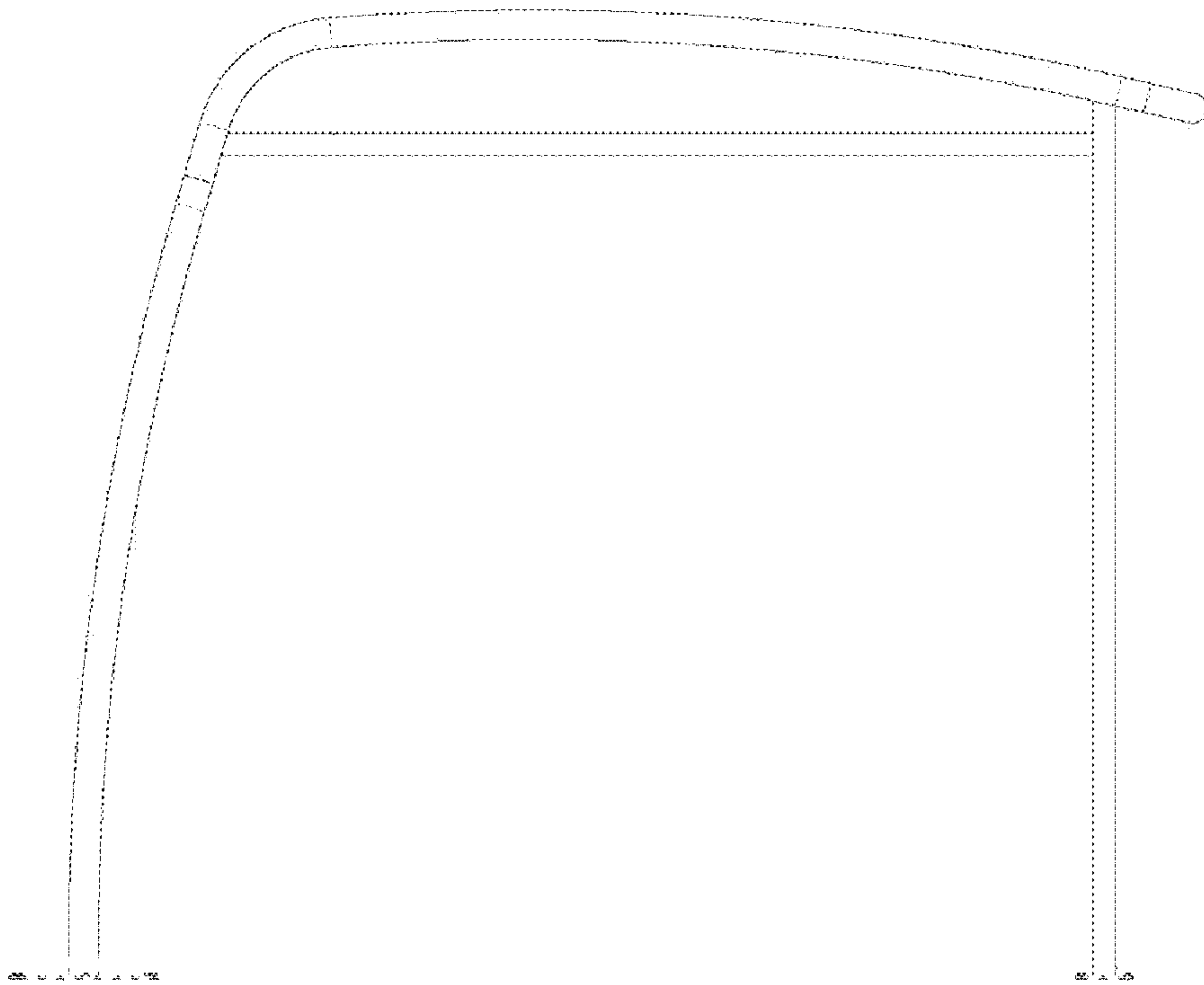
The broken lines depict unclaimed environmental subject
matter.

1 Claim, 7 Drawing Sheets

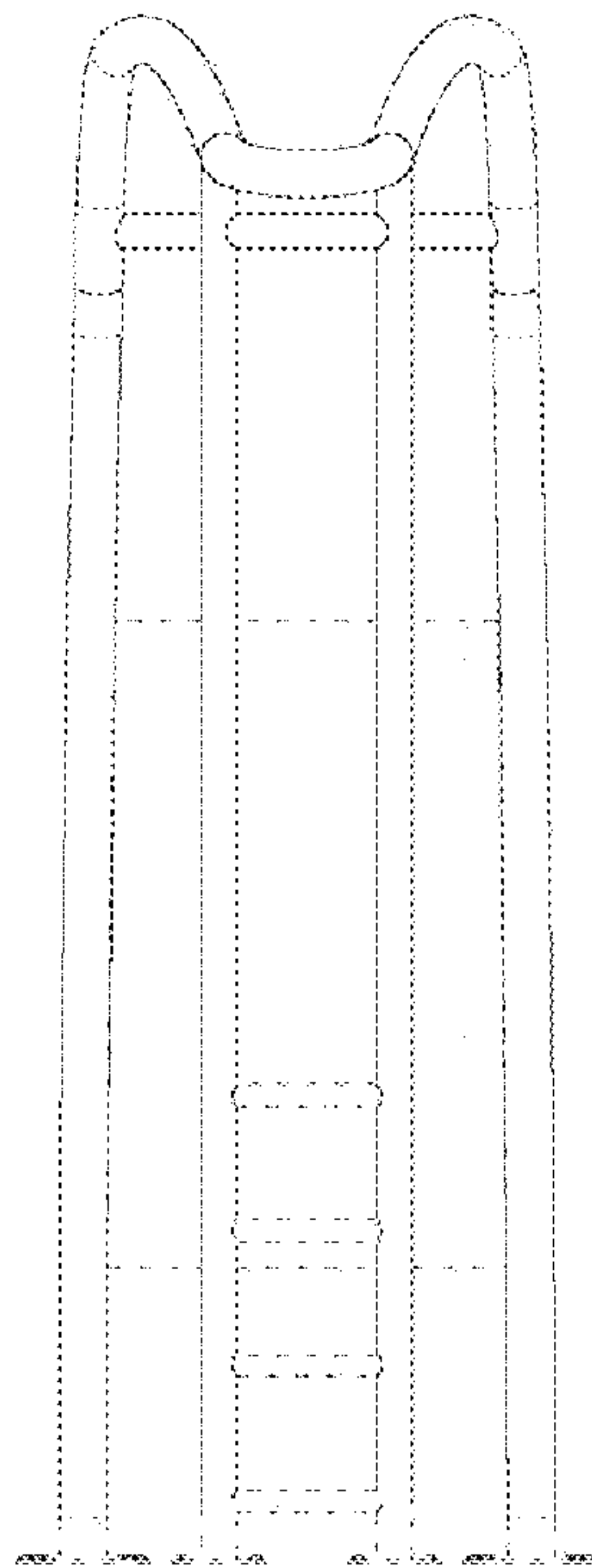




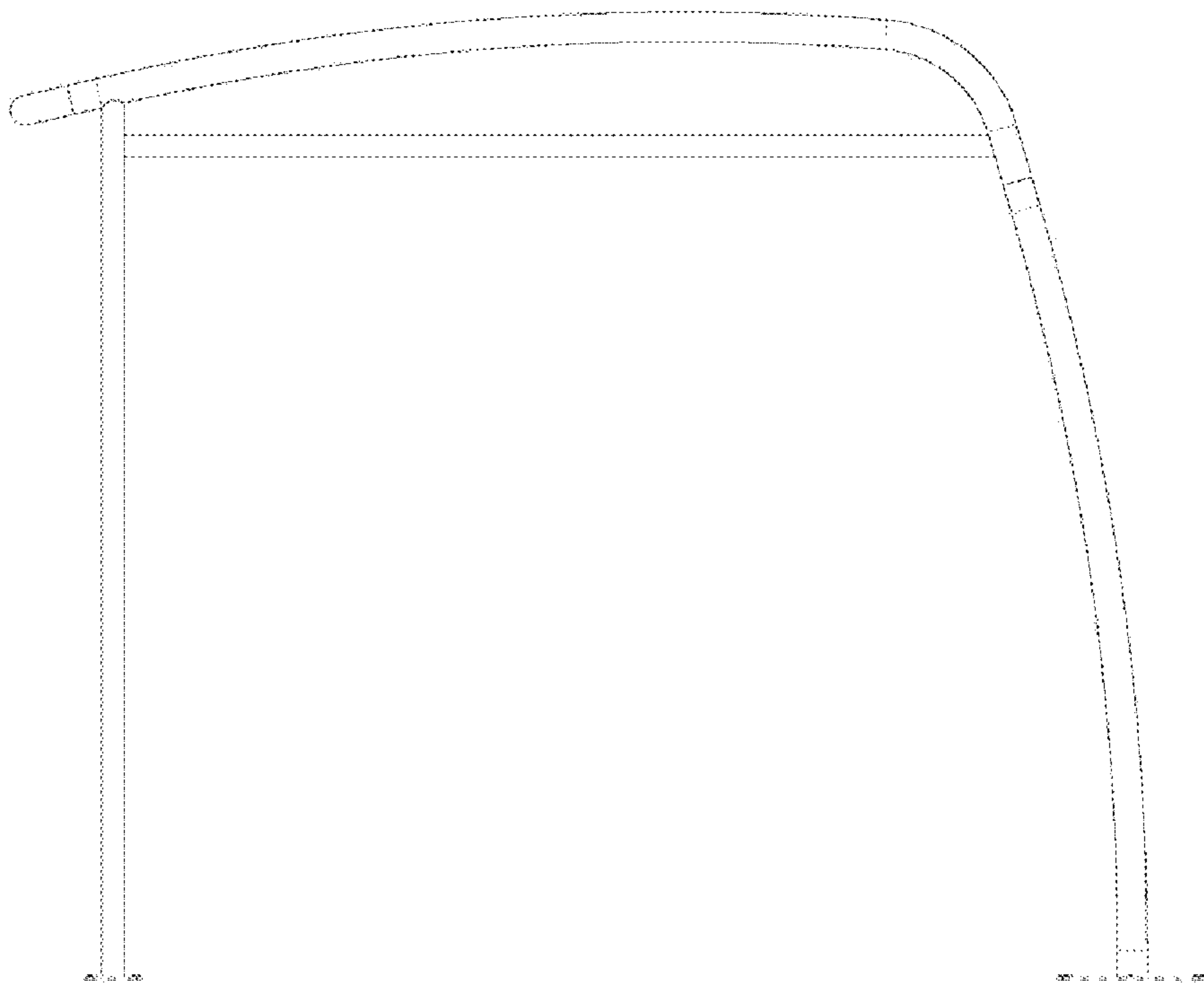
1.1



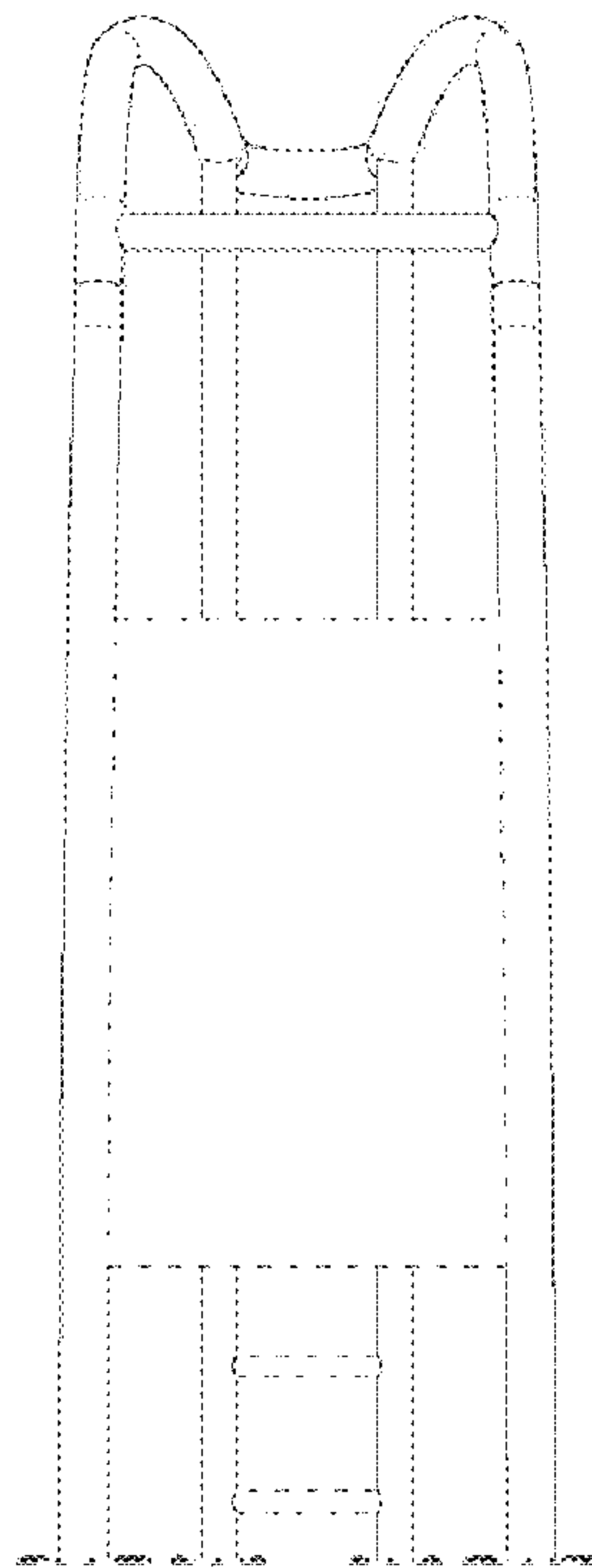
1.2



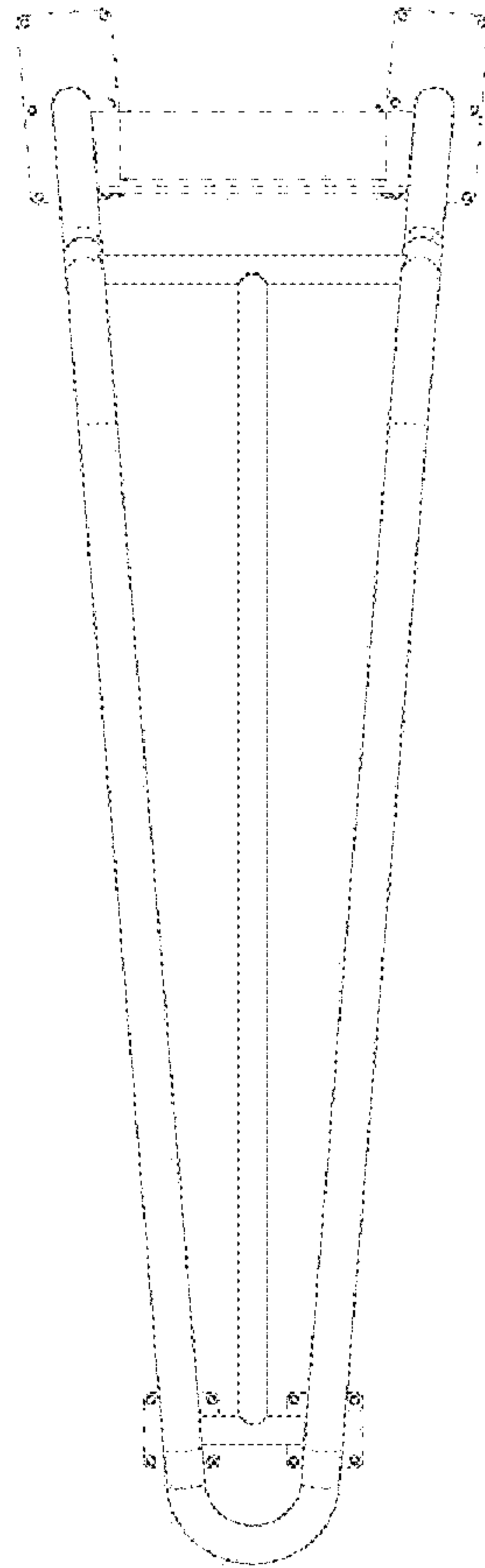
1.3



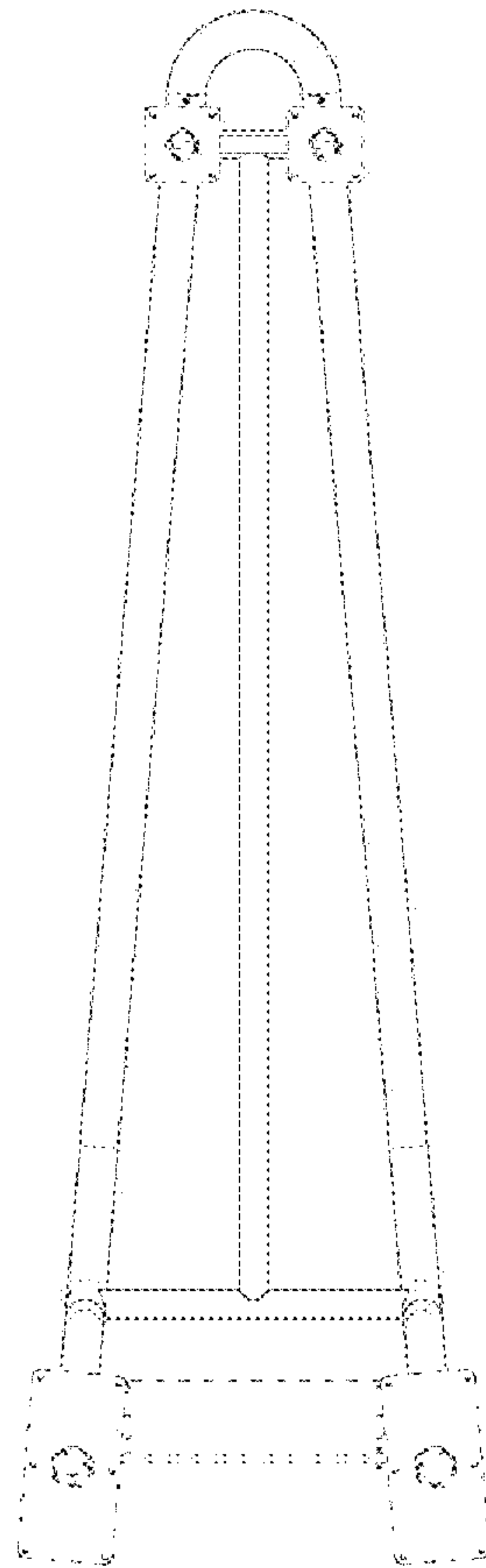
1.4



1.5



1.6



1.7