



US00D806816S

(12) **United States Design Patent**
Forbes et al.

(10) **Patent No.:** **US D806,816 S**
(45) **Date of Patent:** **** Jan. 2, 2018**

(54) **COVERED SLIDE**

(71) Applicant: **International Play Company Inc.**,
Langley (CA)

(72) Inventors: **Scott Forbes**, Surrey (CA); **Michael Griffin**, Trinidad, CA (US); **Wes Loberg**, Mission (CA)

(73) Assignee: **International Play Company Inc.**,
Langley (CA)

(**) Term: **15 Years**

(21) Appl. No.: **29/565,010**

(22) Filed: **May 17, 2016**

(30) **Foreign Application Priority Data**

Nov. 17, 2015 (CA) 165495

(51) **LOC (11) Cl.** **21-03**

(52) **U.S. Cl.**
USPC **D21/818**

(58) **Field of Classification Search**
USPC D21/811, 814, 818, 819, 820, 822
(Continued)

(56) **References Cited**

U.S. PATENT DOCUMENTS

2,465,187 A * 3/1949 Barrabee A63G 21/02
104/69
D190,125 S * 4/1961 Ahrens 472/116
(Continued)

FOREIGN PATENT DOCUMENTS

BE EP 0605922 A2 * 7/1994 A63G 21/00
DE 29512689 U1 * 9/1995 A63G 21/00
(Continued)

OTHER PUBLICATIONS

How Stuff Works, How Water Slides Work, webarchive on Jul. 3, 2011, [online], [site visited on May 10, 2017]. Available from

Internet, <URL: <https://web.archive.org/web/20110703072711/http://science.howstuffworks.com/engineering/structural/water-slide1.htm>>.*

(Continued)

Primary Examiner — Sheryl Lane
Assistant Examiner — Samantha N Wood

(74) *Attorney, Agent, or Firm* — DASCENZO Intellectual Property Law, P.C.

(57) **CLAIM**

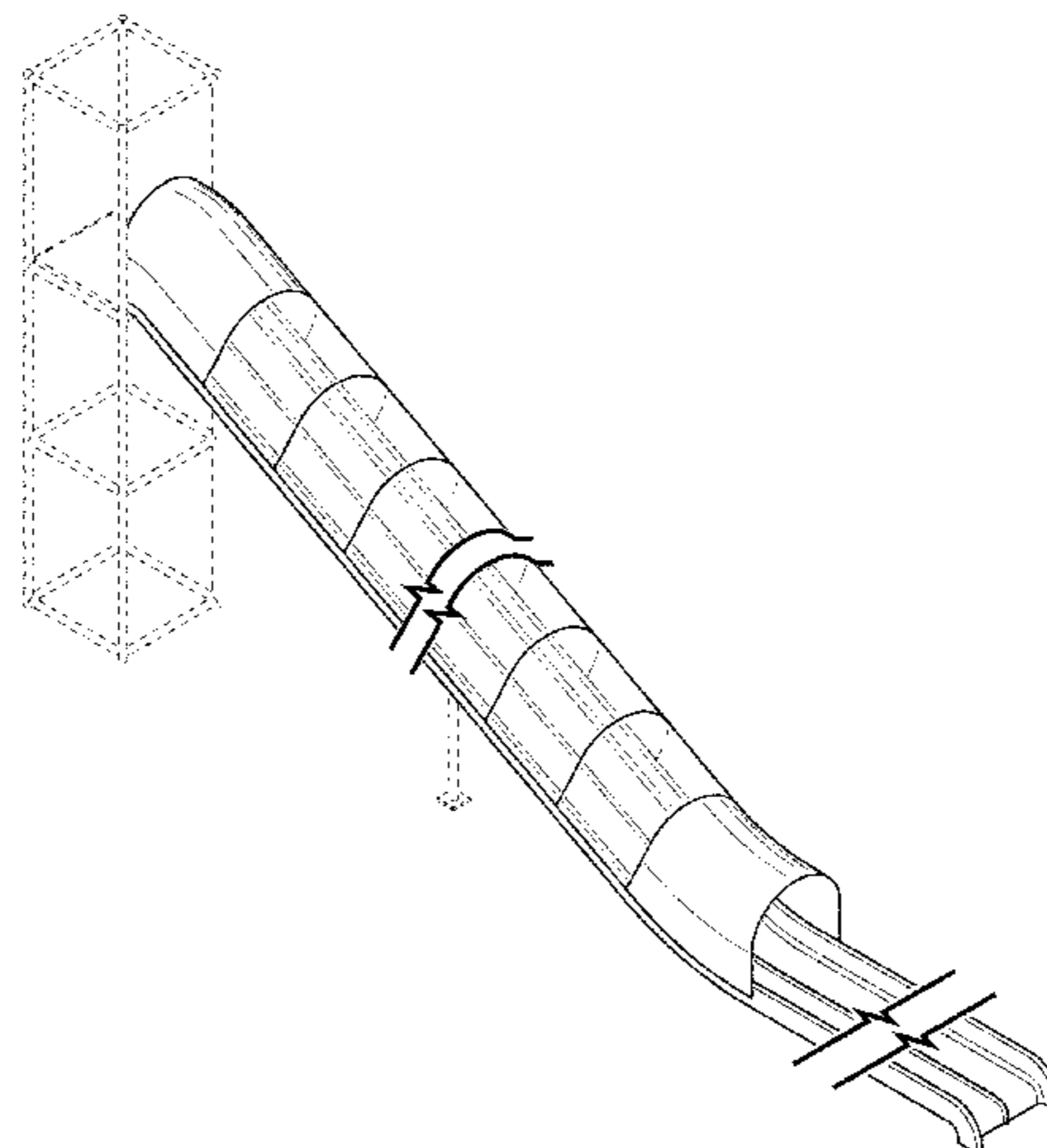
The ornamental design for a covered slide, as shown and described.

DESCRIPTION

FIG. 1 is a perspective view of the covered slide according to a first embodiment;
FIG. 2 is a left side elevation view of the covered slide of FIG. 1;
FIG. 3 is a right side elevation view of the covered slide of FIG. 1;
FIG. 4 is a top plan view of the covered slide of FIG. 1;
FIG. 5 is a bottom plan view of the covered slide of FIG. 1;
FIG. 6 is a front elevation view of the covered slide of FIG. 1;
FIG. 7 is a back elevation view of the covered slide of FIG. 1;
FIG. 8 is a perspective view of the covered slide according to a second embodiment;
FIG. 9 is a left side elevation view of the covered slide of FIG. 8;
FIG. 10 is a right side elevation view of the covered slide of FIG. 8;
FIG. 11 is a top plan view of the covered slide of FIG. 8;
FIG. 12 is a bottom plan view of the covered slide of FIG. 8;
FIG. 13 is a front elevation view of the covered slide of FIG. 8; and,
FIG. 14 is a back elevation view of the covered slide of FIG. 8.

The broken lines in the figures represent environment and form no part of the claimed design. The covered slide is shown with symbolic breaks in its length. The appearance of

(Continued)



any portion of the article between the break lines forms no part of the claimed design. Cover sections are repeated at regular intervals on a downward sloping portion of the covered slide.

1 Claim, 10 Drawing Sheets

(58) **Field of Classification Search**

CPC A63G 21/00; A63G 21/02; A63G 21/04;
 A63G 21/06; A63G 21/08; A63G 21/10;
 A63G 21/12; A63G 21/14; A63G 21/16;
 A63G 21/18; A63G 21/20; A63G 21/22;
 A63G 3/00; A63G 3/02; A63G 3/04;
 A63G 3/06

See application file for complete search history.

(56) **References Cited**

U.S. PATENT DOCUMENTS

D212,018 S * 8/1968 Jamison D21/820
 D224,247 S * 7/1972 Jamison D21/818
 D226,935 S * 5/1973 Wormser D21/818
 D330,579 S * 10/1992 Briggs D21/822
 D363,521 S * 10/1995 Gilles D21/818
 5,735,748 A * 4/1998 Meyers A63G 21/18
 472/116
 D438,279 S * 2/2001 Robertson D21/818
 6,342,015 B1 * 1/2002 Robertson A63G 21/02
 472/116
 D520,590 S * 5/2006 Zeilinger D21/818

D522,604 S * 6/2006 Rieber D21/818
 D524,895 S * 7/2006 VanDeusen D21/820
 D601,220 S * 9/2009 Sammann D21/818
 D699,805 S * 2/2014 Green D21/818
 D743,497 S * 11/2015 Eroglu D21/818
 2009/0017926 A1 * 1/2009 Sammann A63G 21/04
 472/116
 2011/0244972 A1 * 10/2011 Brown A63G 21/02
 472/116
 2014/0179451 A1 * 6/2014 Verhaeg A63G 21/14
 472/116

FOREIGN PATENT DOCUMENTS

DE 19839048 A1 * 3/2000 A63G 21/18
 EP 0119099 A2 * 9/1984 A63G 21/18
 GB 190910343 A * 0/1910 A63G 21/04
 JP 4334606 B1 * 9/2009 A63G 21/00
 NL 1000435 C1 * 11/1996 A63G 21/00

OTHER PUBLICATIONS

Printout of slide photo from http://li4kids.com/blog/2008/09/meschutt_beach_county_park.php downloaded at least as early as Nov. 12, 2015.
 Printout of slide photo from <https://www.pinterest.com/pin/537617274243944287/> downloaded at least as early as Nov. 12, 2015.
 Printout of slide photo from <http://tinkerlab.com/slide-drawing/> downloaded at least as early as Nov. 12, 2015.
 Printout of slide photo from <http://www.kidwiseusa.com/speed.html> downloaded at least as early as Nov. 12, 2015.

* cited by examiner

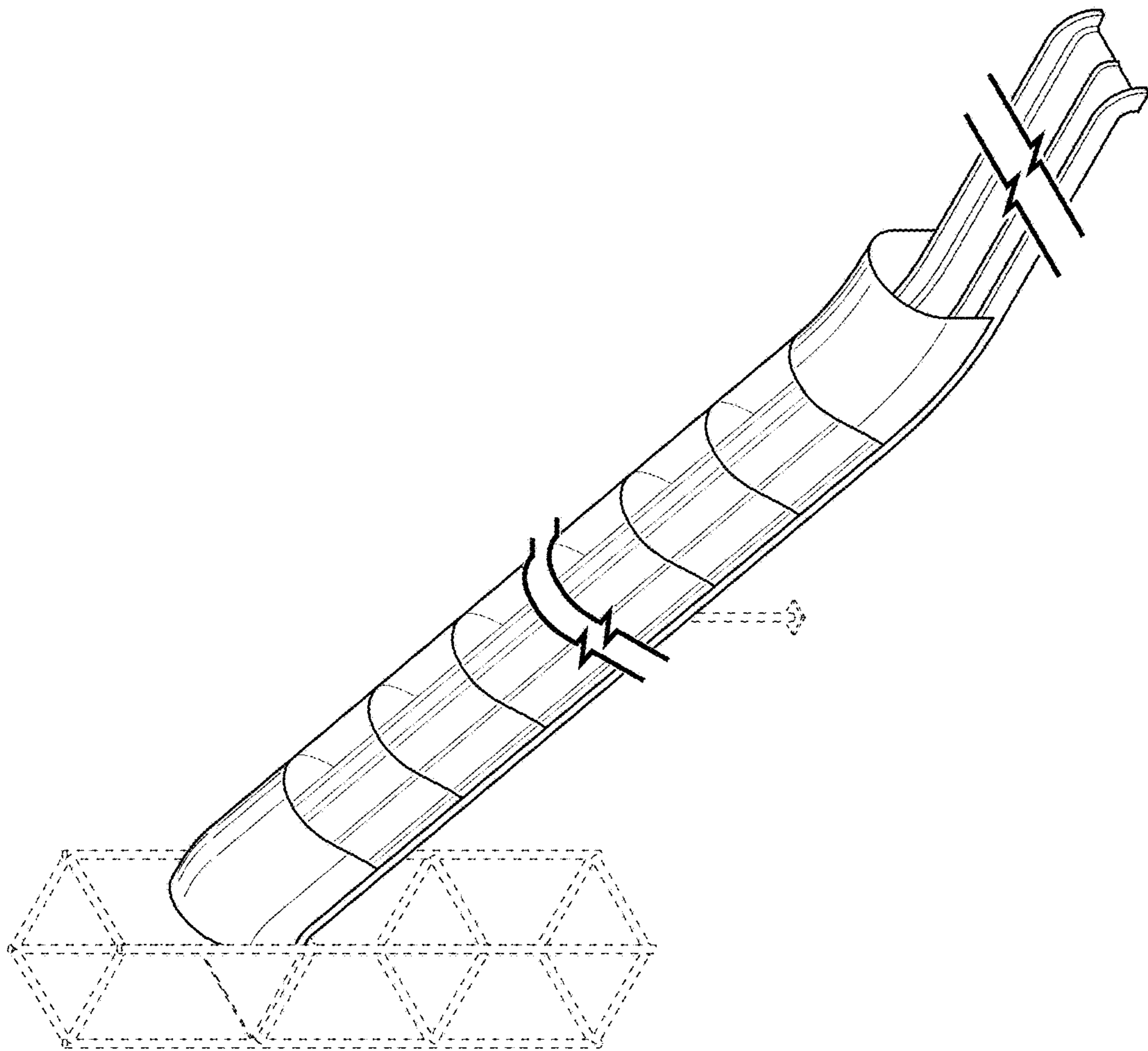


FIG. 1

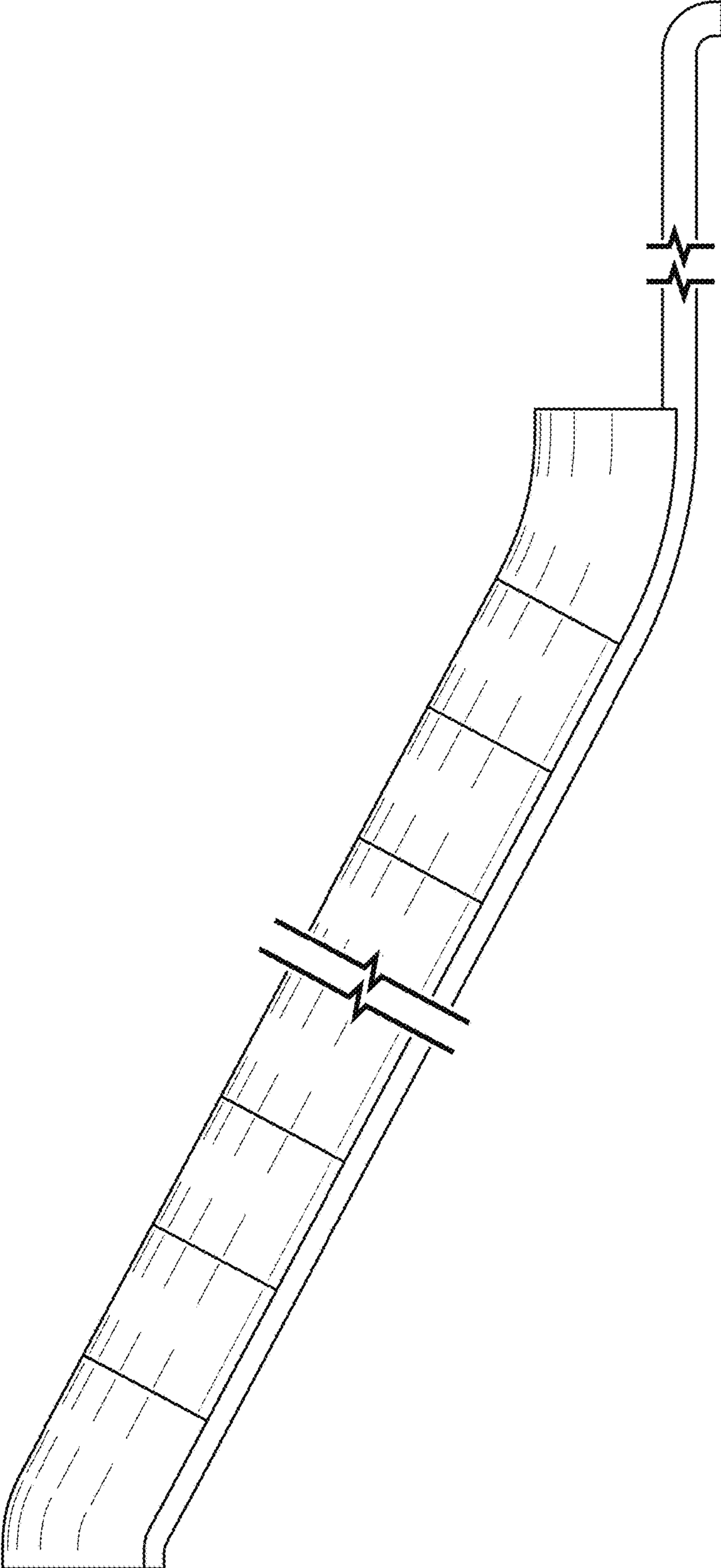


FIG. 2

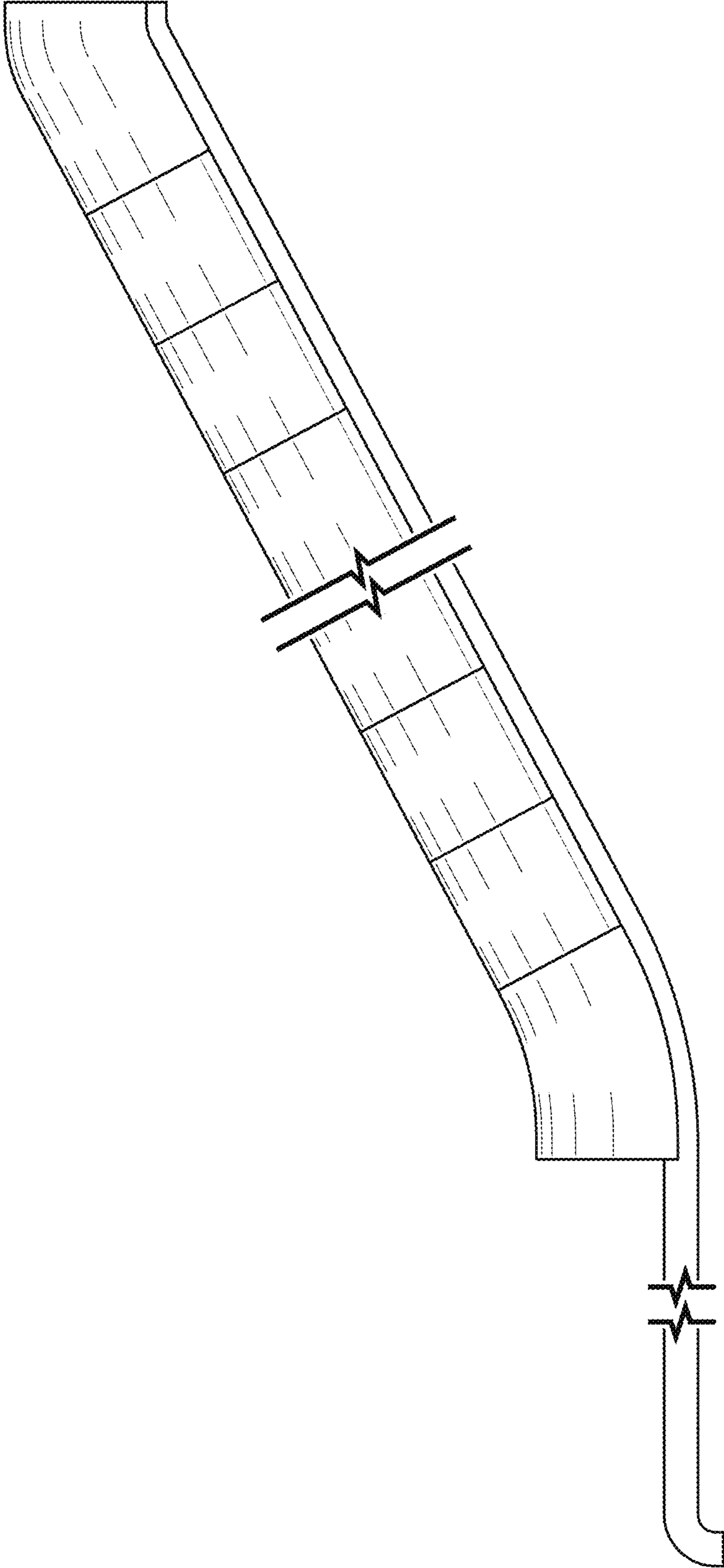


FIG. 3

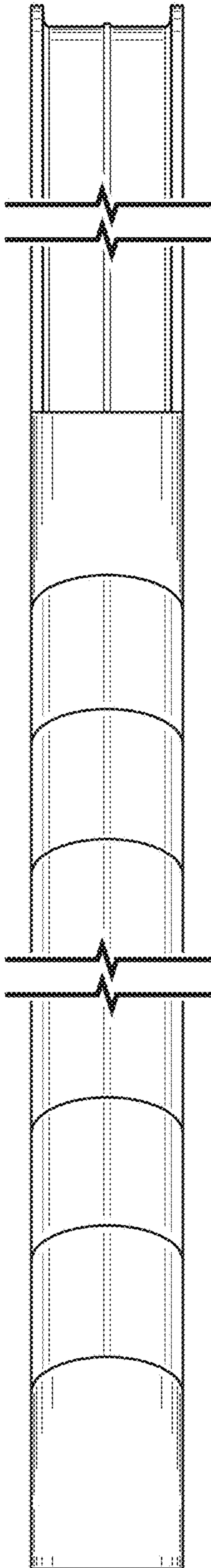


FIG. 4

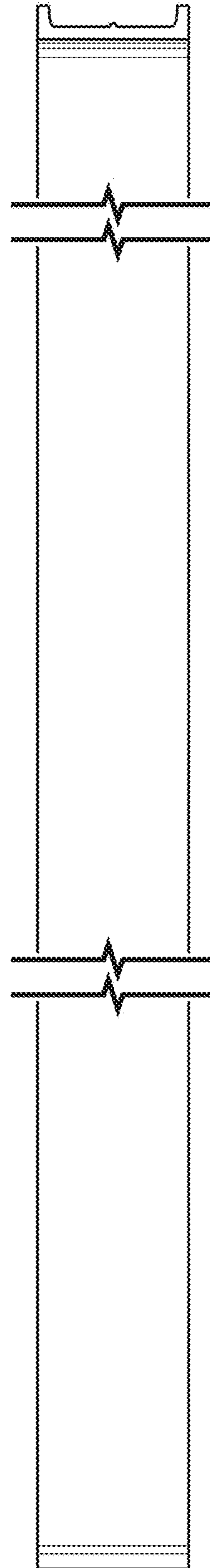


FIG. 5

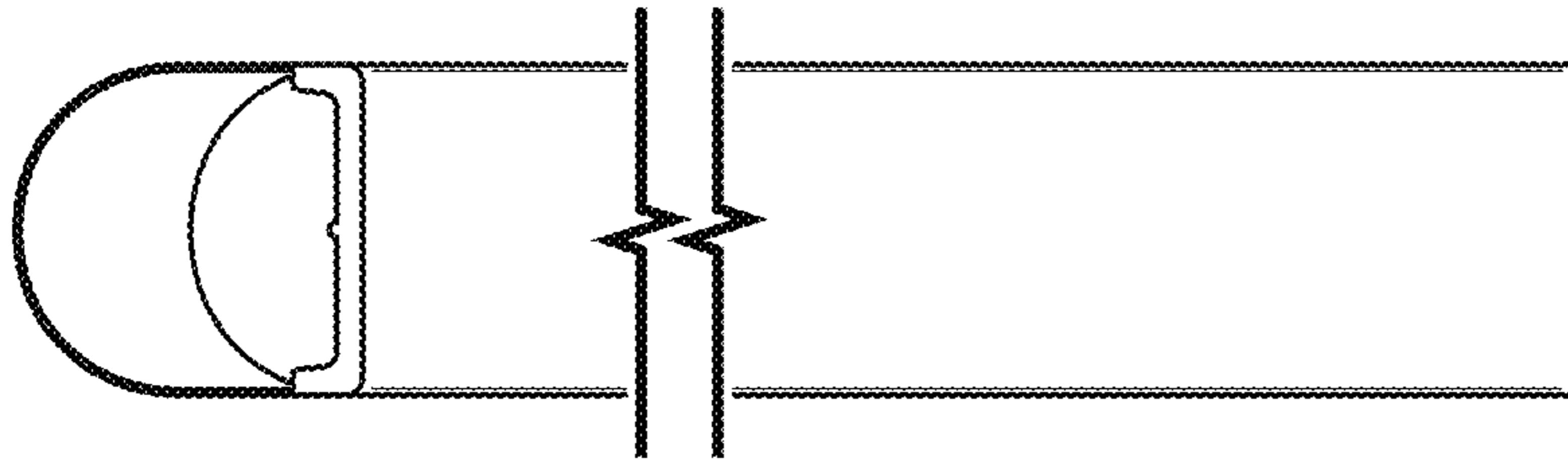


FIG. 7

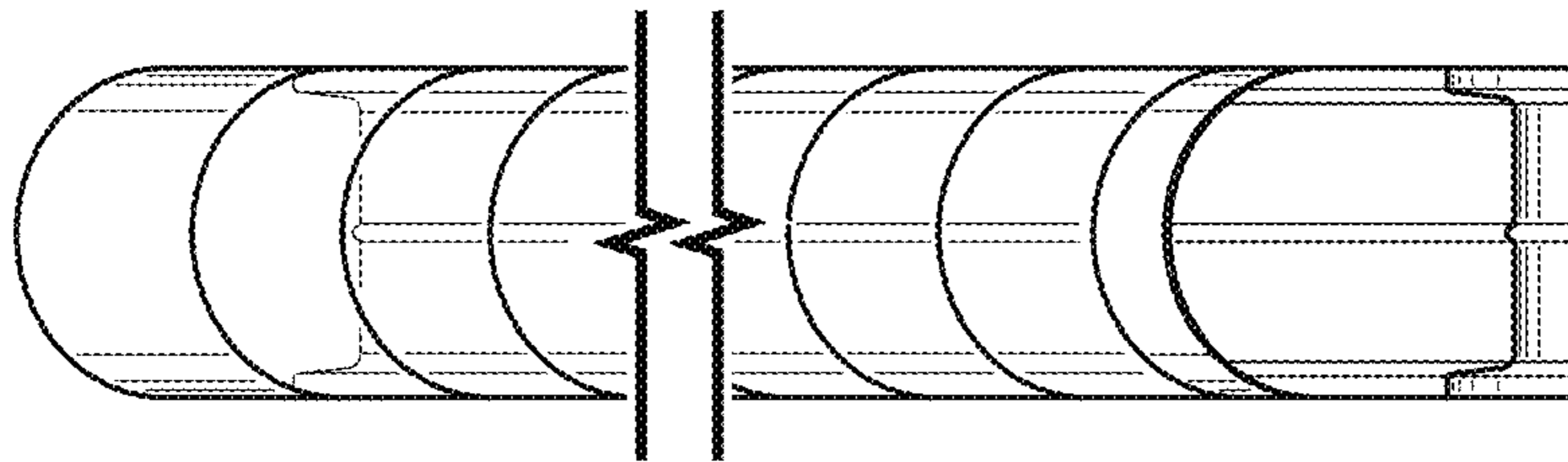


FIG. 6

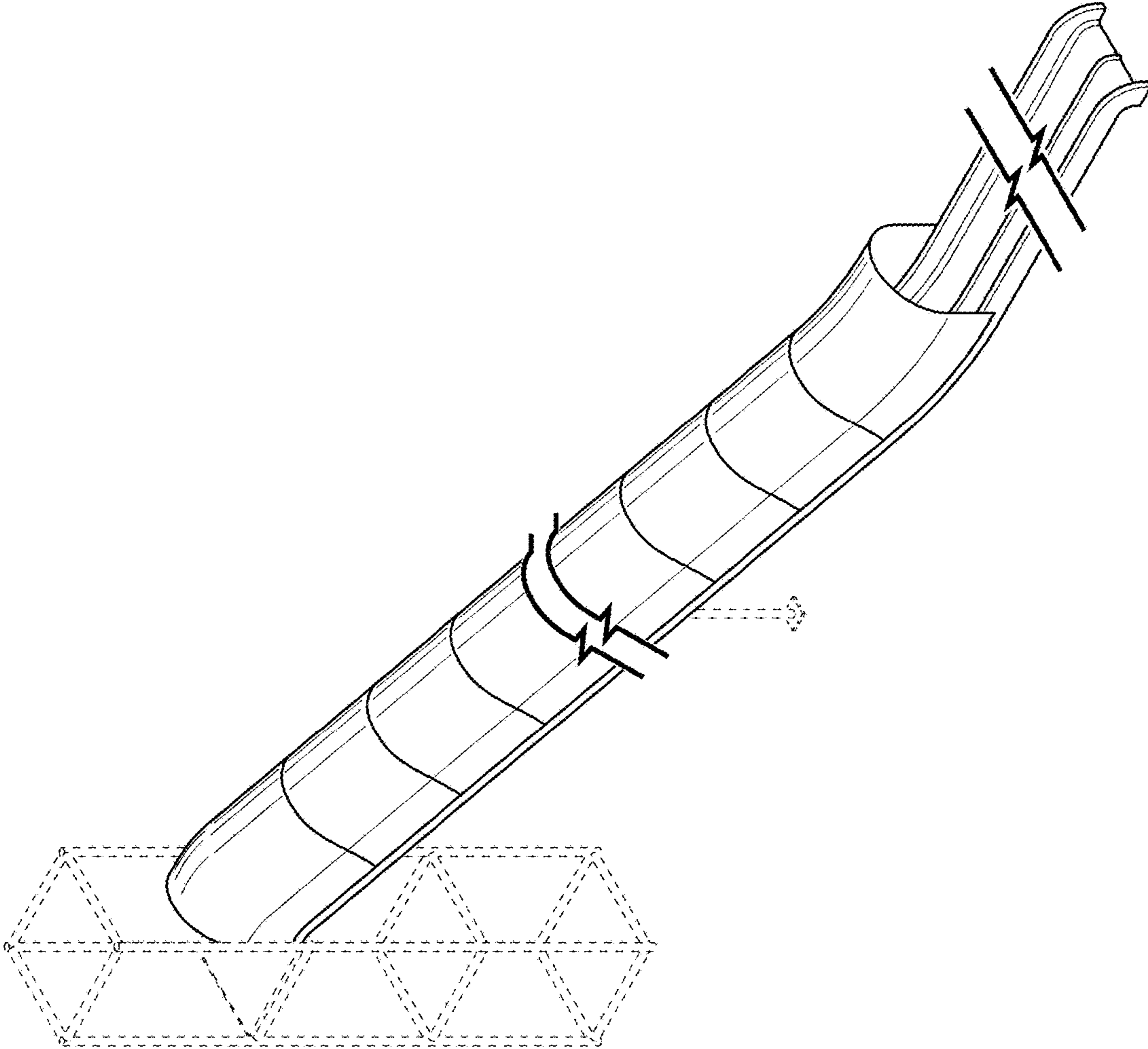


FIG. 8

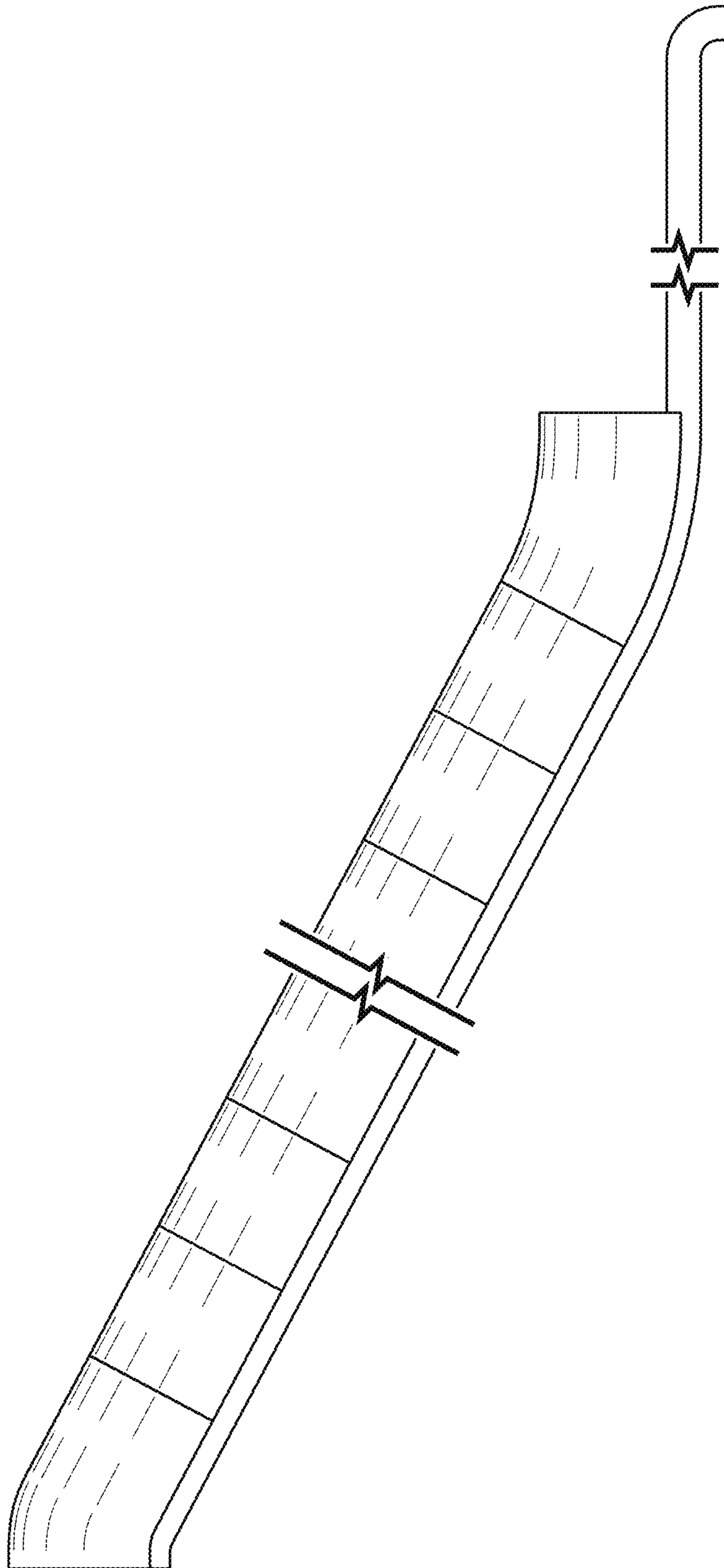


FIG. 9

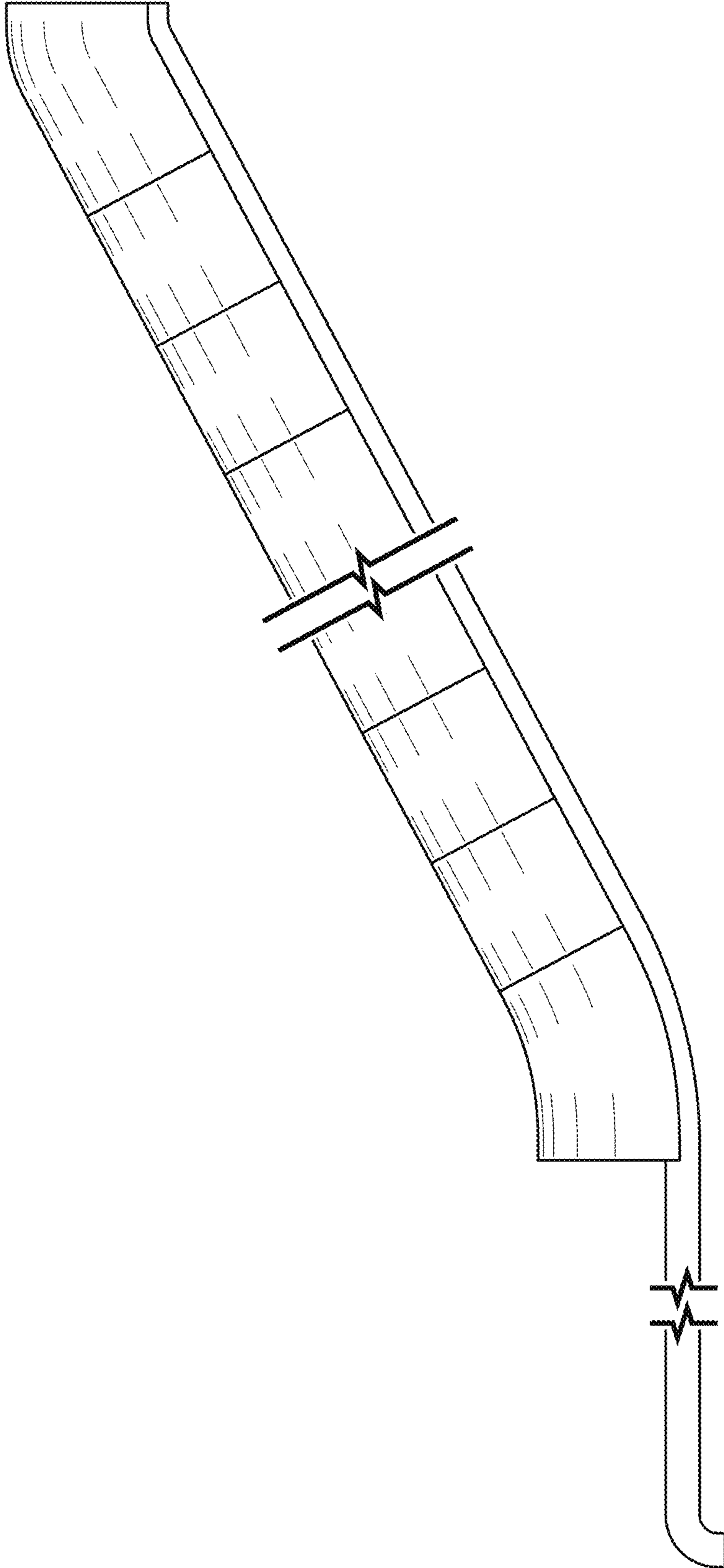


FIG. 10

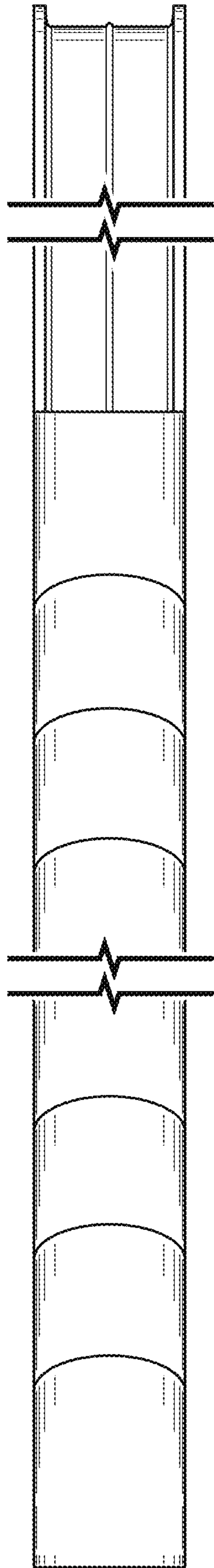


FIG. 11

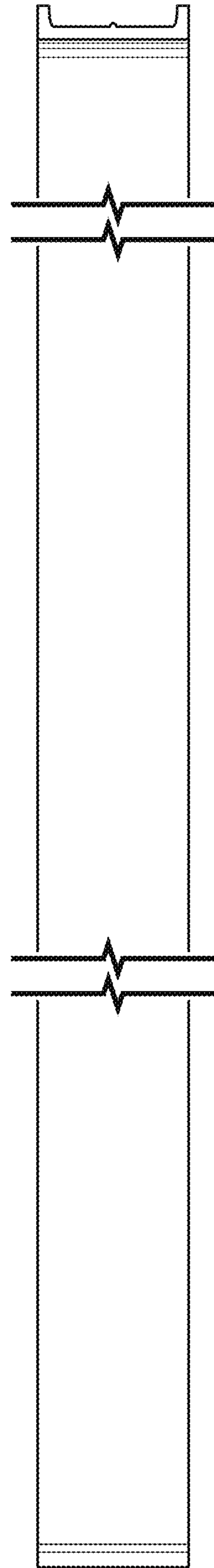


FIG. 12

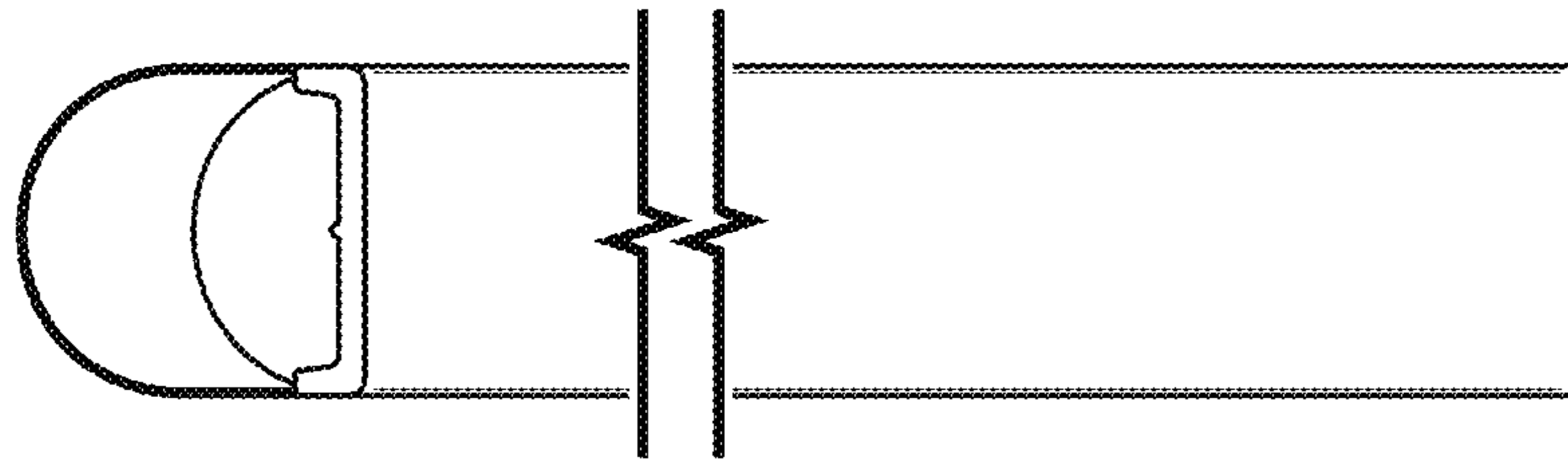


FIG. 14

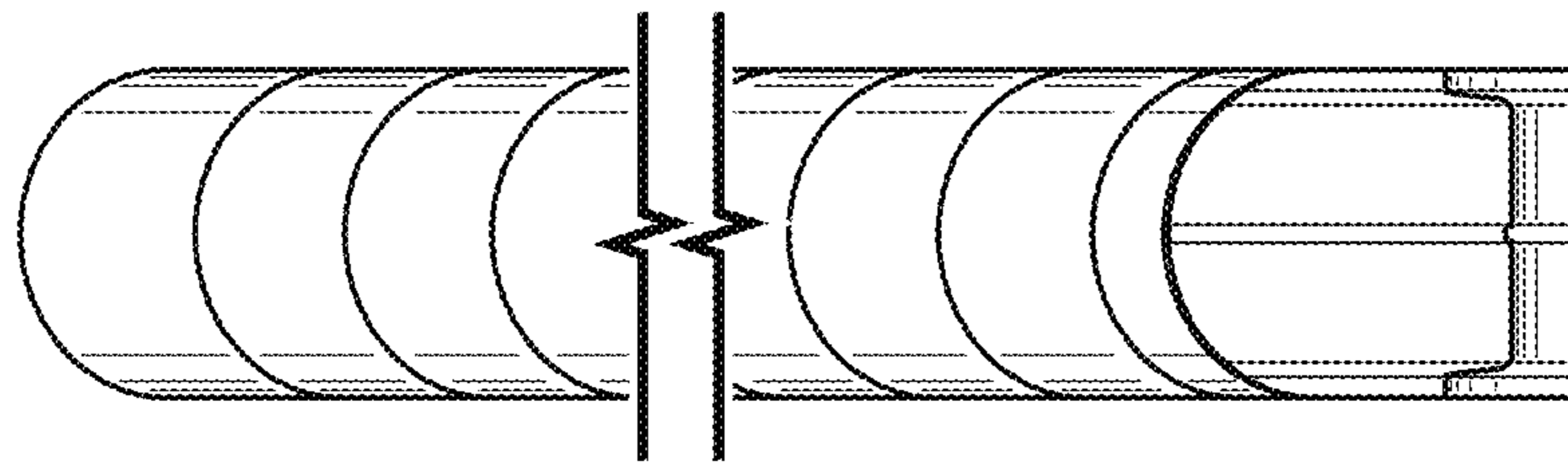


FIG. 13