



US00D806815S

(12) **United States Design Patent** (10) **Patent No.:** **US D806,815 S**  
**Su** (45) **Date of Patent:** **\*\* Jan. 2, 2018**

(54) **NARWHAL-SHAPED FLOATATION DEVICE**

(71) Applicant: **Covves LLC**, Wilmington, CA (US)

(72) Inventor: **Benson Su**, Torrance, CA (US)

(73) Assignee: **Covves, LLC**, Torrance, CA (US)

(\*\*) Term: **15 Years**

(21) Appl. No.: **29/610,935**

(22) Filed: **Jul. 17, 2017**

(51) **LOC (11) Cl.** ..... **21-02**

(52) **U.S. Cl.**  
USPC ..... **D21/808**

(58) **Field of Classification Search**  
USPC ..... D21/769-770, 801, 803, 809, 808;  
114/253, 345-346; 441/35, 66, 74,  
441/40-42, 129-132; 472/128-129;  
D12/5, 6, 316; D6/392, 595, 596, 601,  
D6/604, 605  
CPC ..... B63B 35/76  
See application file for complete search history.

(56) **References Cited**

**U.S. PATENT DOCUMENTS**

D289,191 S \* 4/1987 Wolfe ..... D21/808  
D302,996 S \* 8/1989 Wolfe ..... D21/808  
D302,998 S \* 8/1989 Wolfe ..... D21/576  
D326,555 S \* 6/1992 Selame ..... D2/871  
D362,290 S \* 9/1995 de Tristan ..... D21/599

D372,950 S \* 8/1996 Nicholson ..... D21/650  
D373,808 S \* 9/1996 Nicholson ..... D21/808  
D519,594 S \* 4/2006 Brown ..... D21/603  
D526,689 S \* 8/2006 Marshall ..... D21/473  
D555,747 S \* 11/2007 Brown ..... D21/803  
D665,865 S \* 8/2012 Goolie ..... D21/604  
D741,435 S \* 10/2015 Brown ..... D21/808  
D759,182 S \* 6/2016 Wampold ..... D21/808

**OTHER PUBLICATIONS**

<http://www.mimosainc.com>, Narwhal Whale Pool Float; downloaded from web Jul. 12, 2017.

\* cited by examiner

*Primary Examiner* — Zenia Bennett

(74) *Attorney, Agent, or Firm* — Sean M. Lynch

(57) **CLAIM**

The ornamental design of a narwhal-shaped floatation device, as shown and described.

**DESCRIPTION**

FIG. 1 is a perspective view of the narwhal-shaped floatation device.

FIG. 2 is a front view.

FIG. 3 is a rear view.

FIG. 4 is a right-side view.

FIG. 5 is a top view; and,

FIG. 6 is a bottom view.

The design features a narwhal-shaped floatation device for use in bodies of water. The broken lines indicate the location of surface features not currently claimed.

**1 Claim, 5 Drawing Sheets**

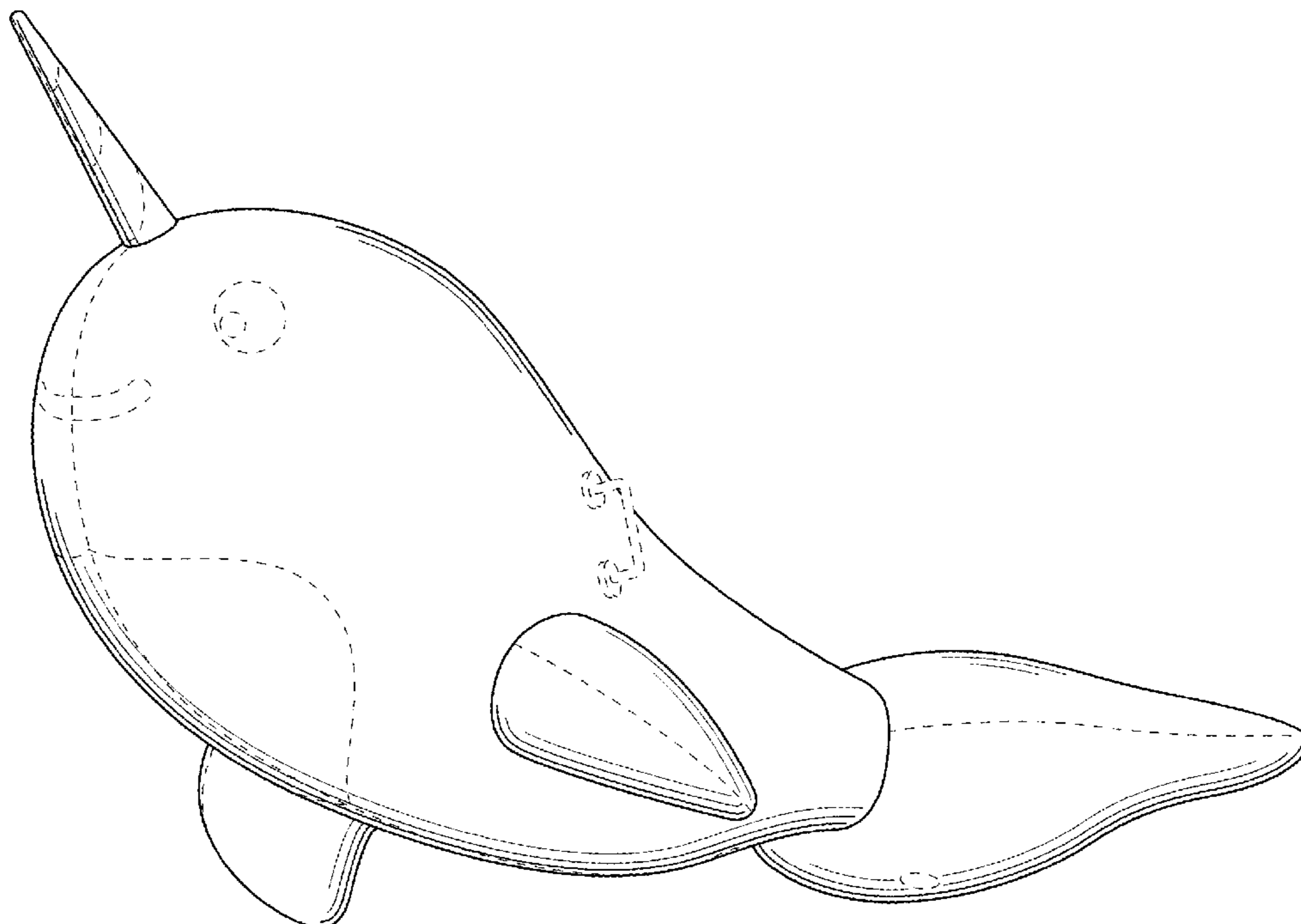
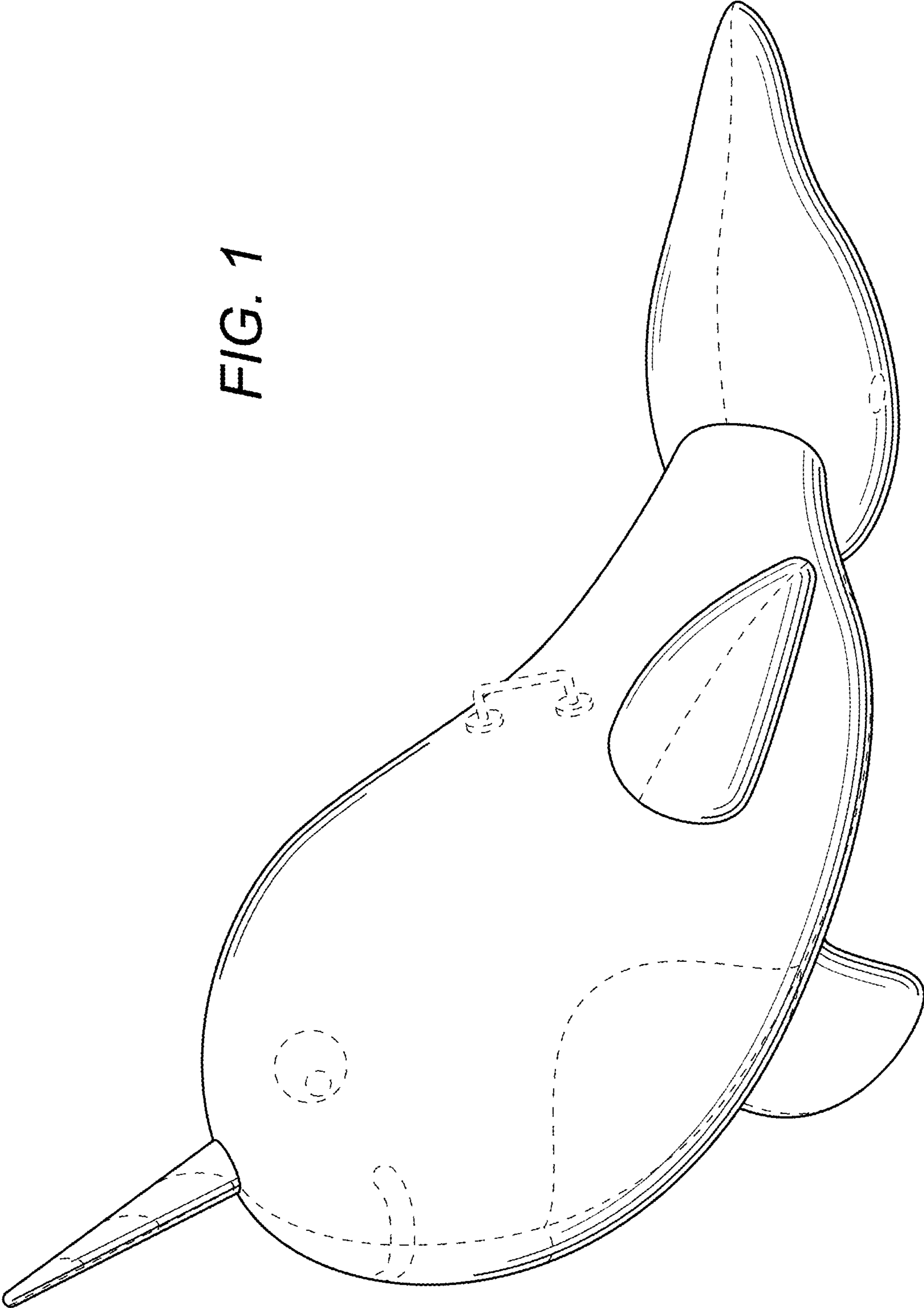


FIG. 1



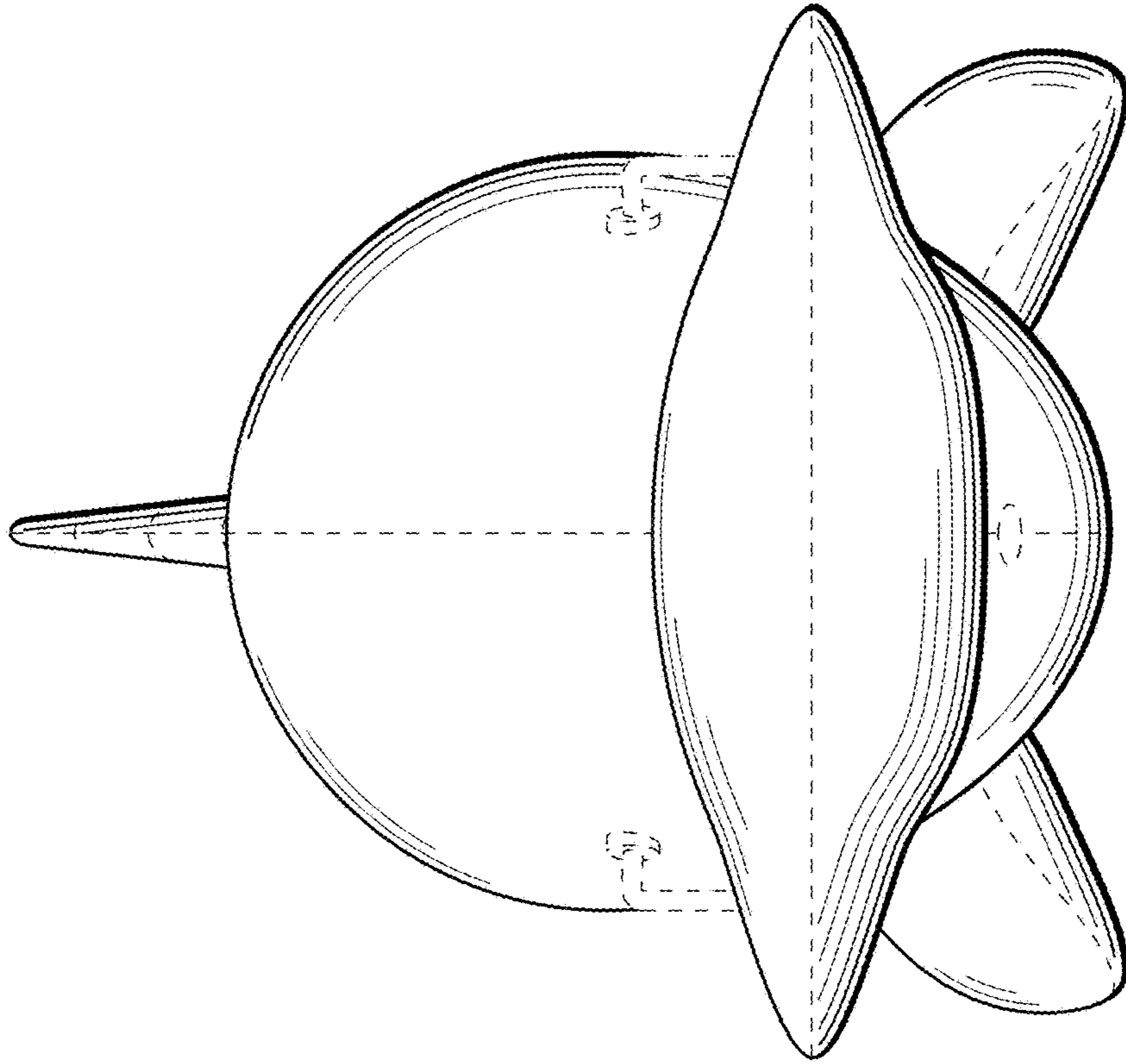


FIG. 3

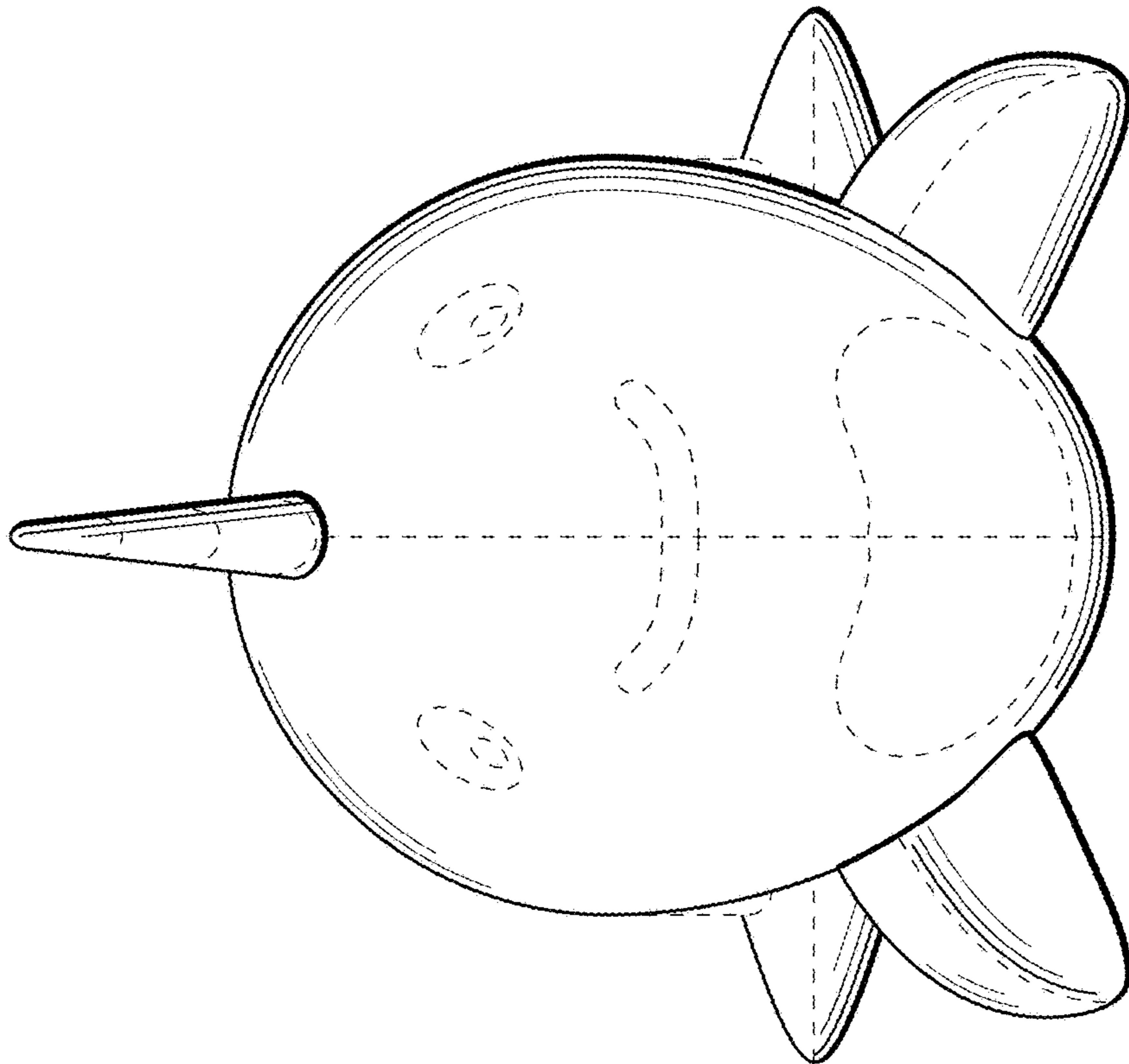


FIG. 2

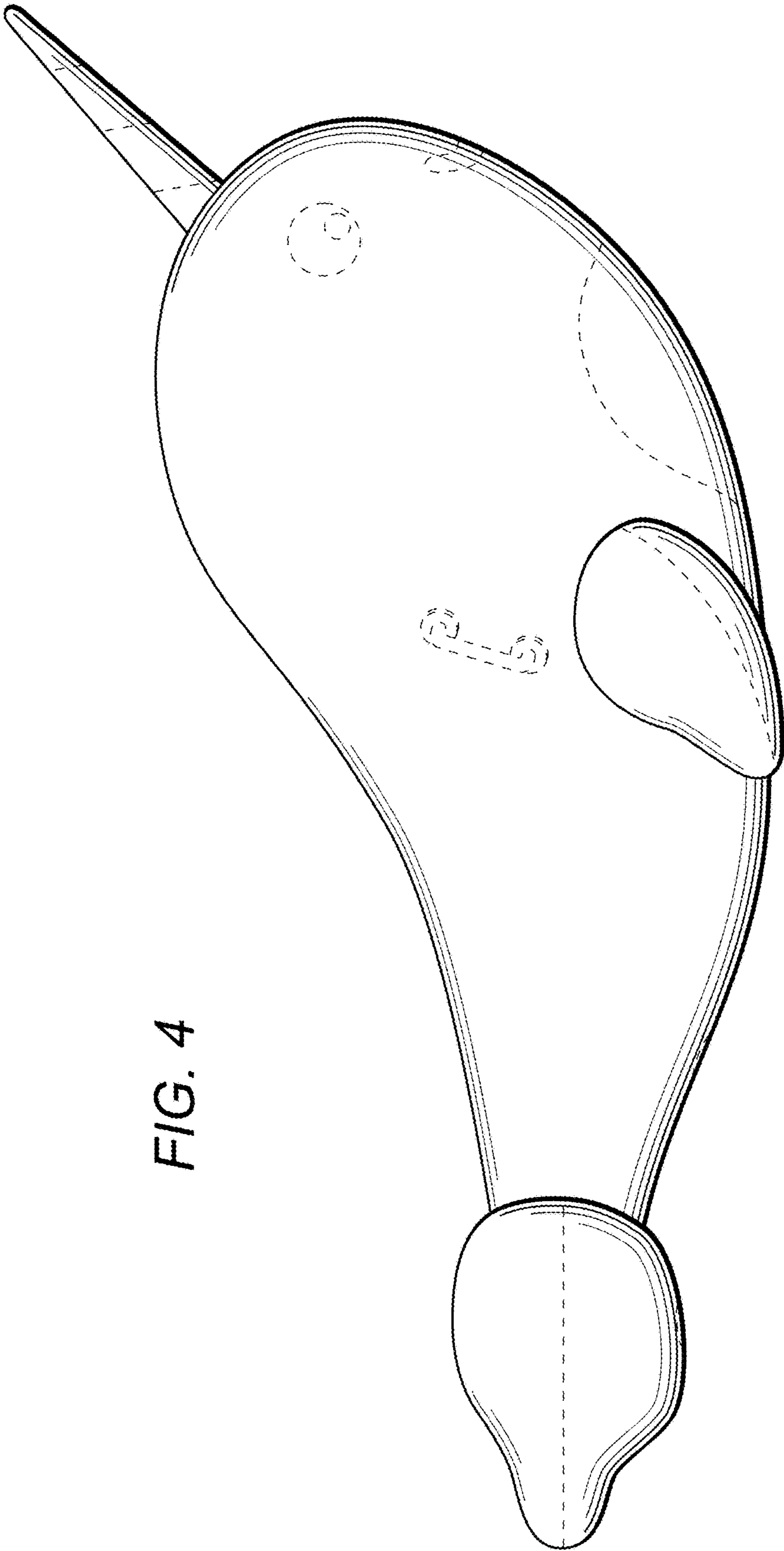


FIG. 4



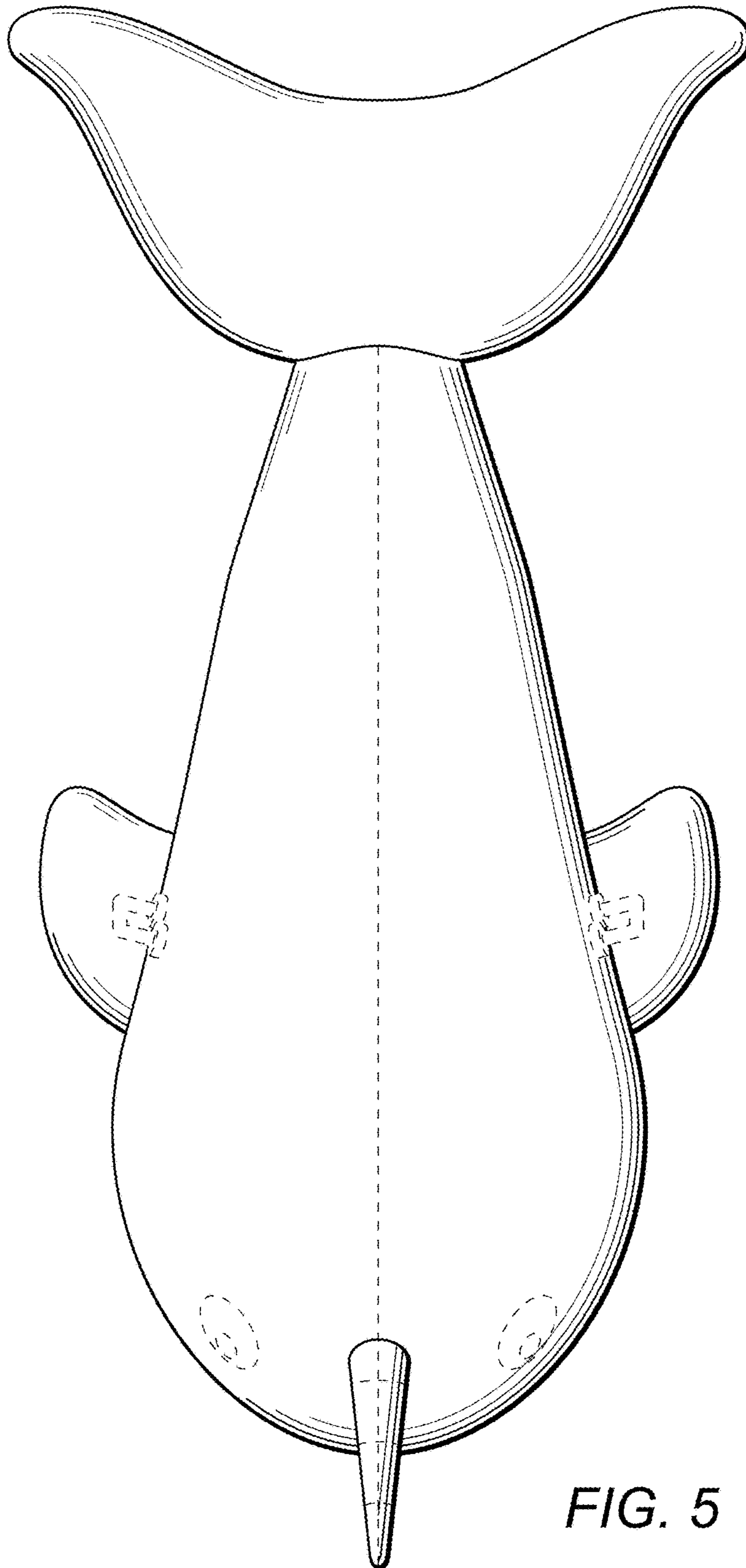


FIG. 5

