

US00D806813S

(12) **United States Design Patent**
Song et al.

(10) **Patent No.:** **US D806,813 S**
(45) **Date of Patent:** **** Jan. 2, 2018**

(54) **IRON GOLF CLUB HEAD**

(71) Applicant: **Acushnet Company**, Fairhaven, MA
(US)

(72) Inventors: **Yu-Jin Song**, San Marcos, CA (US);
Joshua C. Stokes, San Marcos, CA
(US)

(73) Assignee: **Acushnet Company**, Fairhaven, MA
(US)

(**) Term: **15 Years**

(21) Appl. No.: **29/575,903**

(22) Filed: **Aug. 30, 2016**

(51) **LOC (11) Cl.** **21-03**

(52) **U.S. Cl.**
USPC **D21/747**

(58) **Field of Classification Search**
USPC D21/747-751
CPC A63B 53/00; A63B 53/04; A63B 53/047;
A63B 53/0475; A63B 2053/0479; A63B
2053/0483; A63B 2053/0445
See application file for complete search history.

(56) **References Cited**

U.S. PATENT DOCUMENTS

D337,143 S * 7/1993 Lo D21/750
D370,514 S * 6/1996 Blough D21/750

D394,290 S * 5/1998 Best D21/748
D401,637 S * 11/1998 Best D21/747
D453,949 S * 2/2002 Helmstetter D21/747
D572,781 S * 7/2008 Kim D21/747
D598,967 S * 8/2009 Kim D21/747
D598,968 S * 8/2009 Wieland D21/747
D614,710 S * 4/2010 Kim D21/747
D707,765 S * 6/2014 Engel D21/733
D753,249 S * 4/2016 Song D21/749
D753,250 S * 4/2016 Song D21/749
D767,066 S * 9/2016 Asazuma D21/759

* cited by examiner

Primary Examiner — Mitchell I. Siegel

(74) *Attorney, Agent, or Firm* — Randy K. Chang

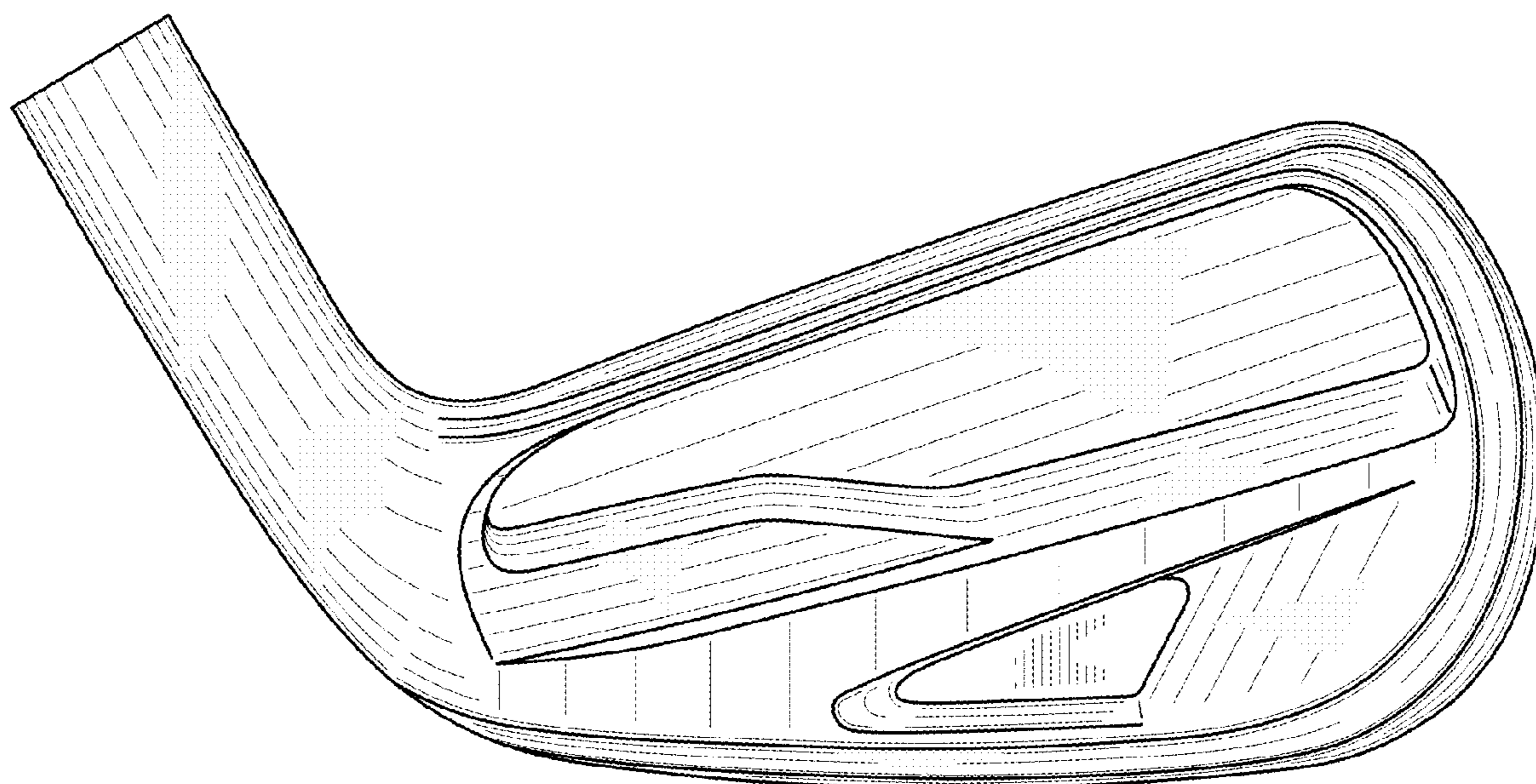
(57) **CLAIM**

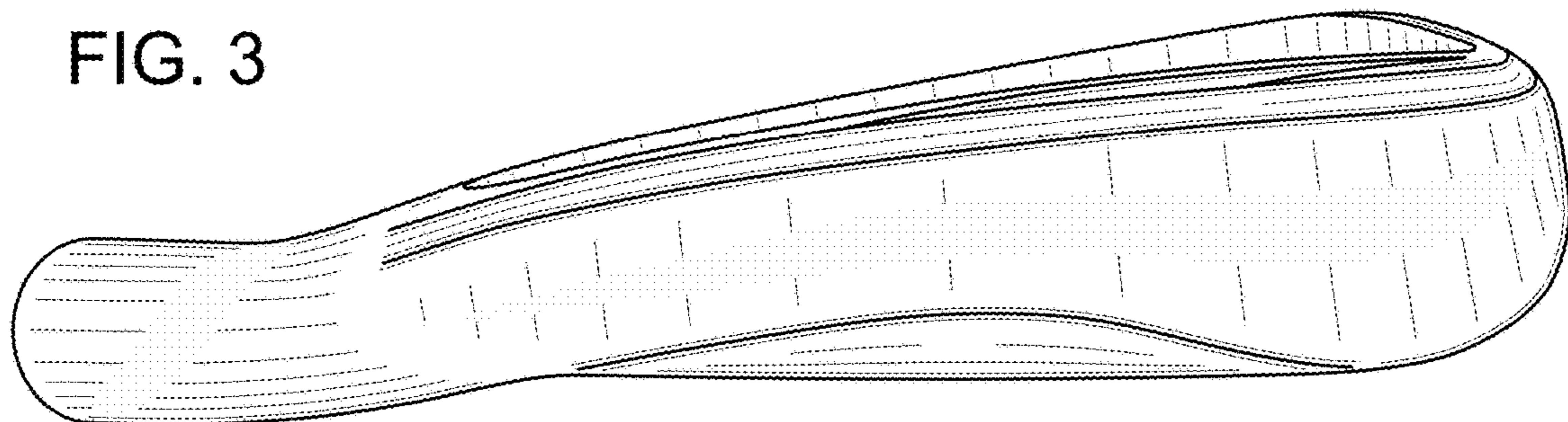
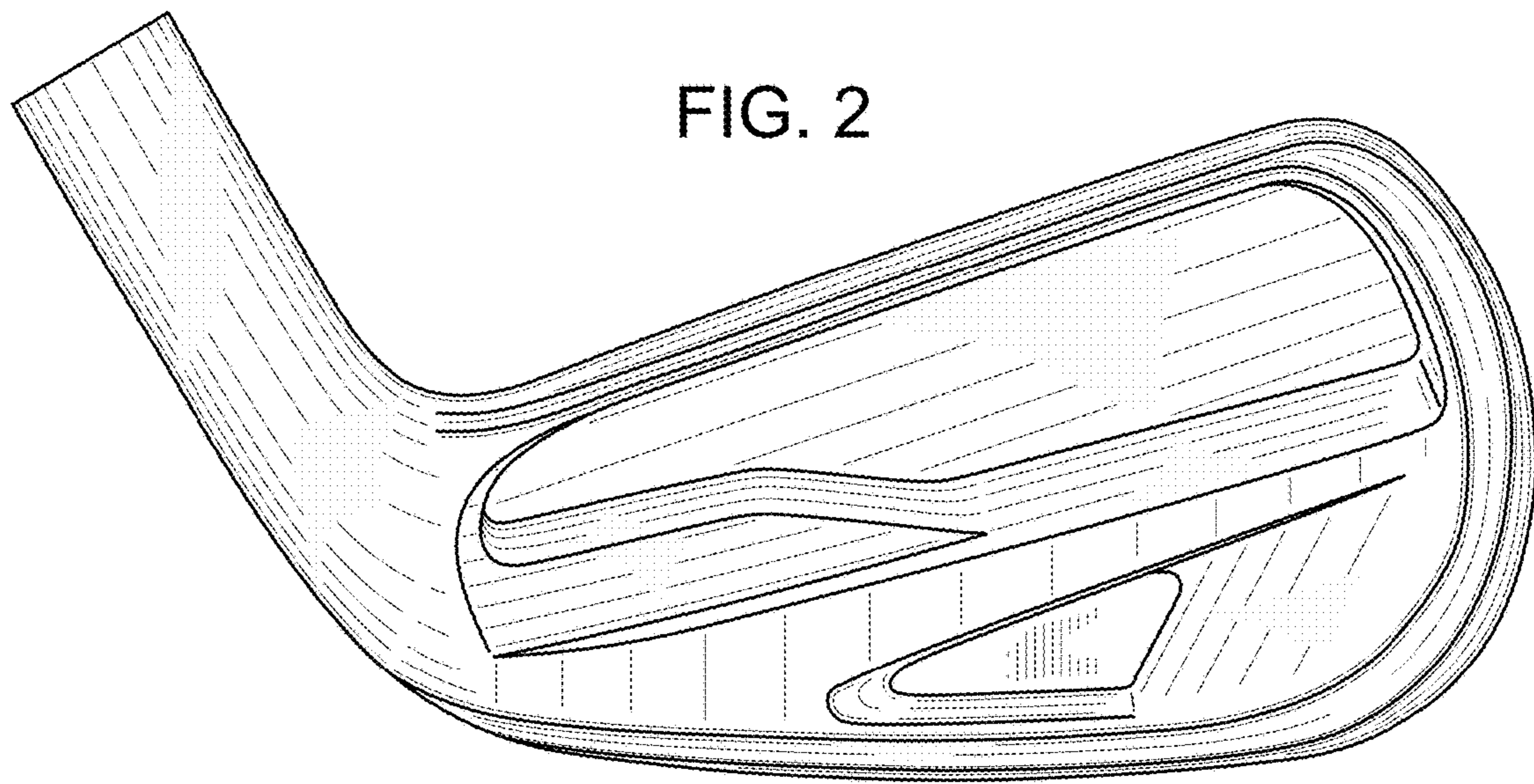
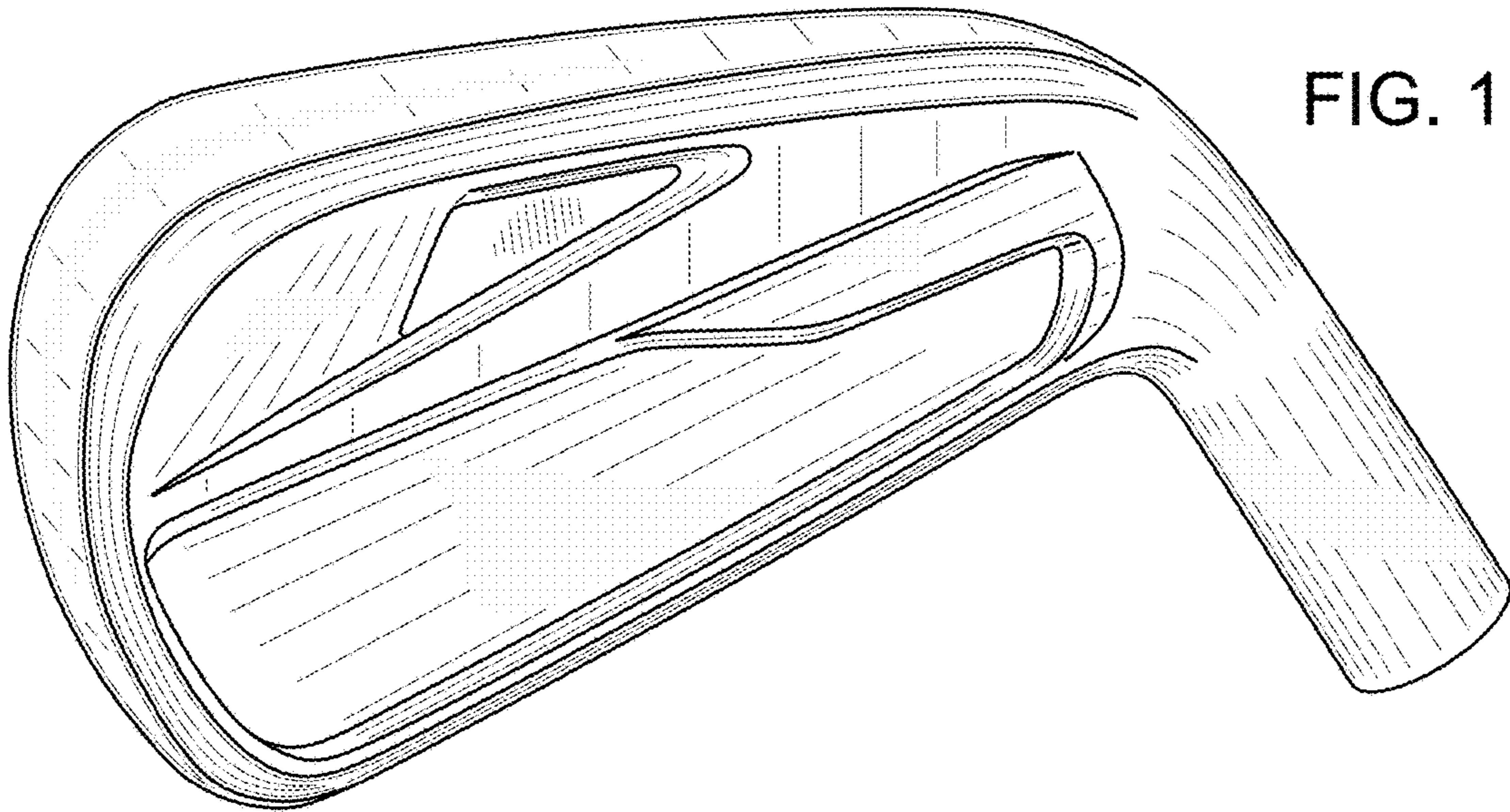
The ornamental design for an iron golf club head, as shown and described.

DESCRIPTION

FIG. 1 is a top back perspective view of our new iron golf club head;
FIG. 2 is a back view thereof;
FIG. 3 is a bottom view thereof;
FIG. 4 is a top view thereof;
FIG. 5 is a front view thereof;
FIG. 6 is a heel side view thereof; and,
FIG. 7 is a toe side view thereof.
The portion of the golf club head shown in phantom does not form any portion of the present invention.

1 Claim, 2 Drawing Sheets





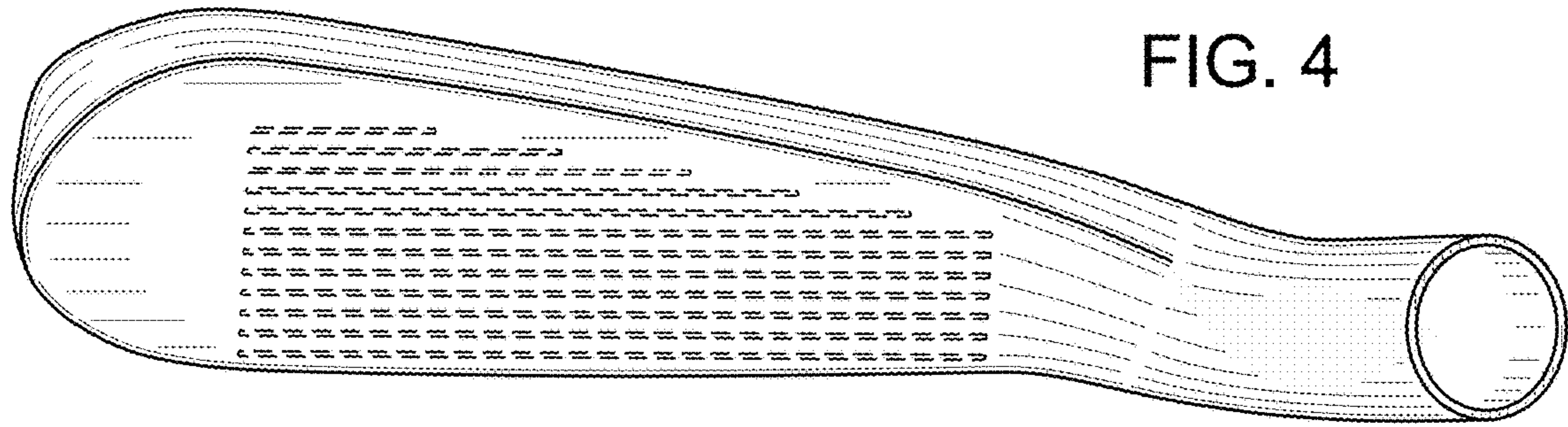


FIG. 4

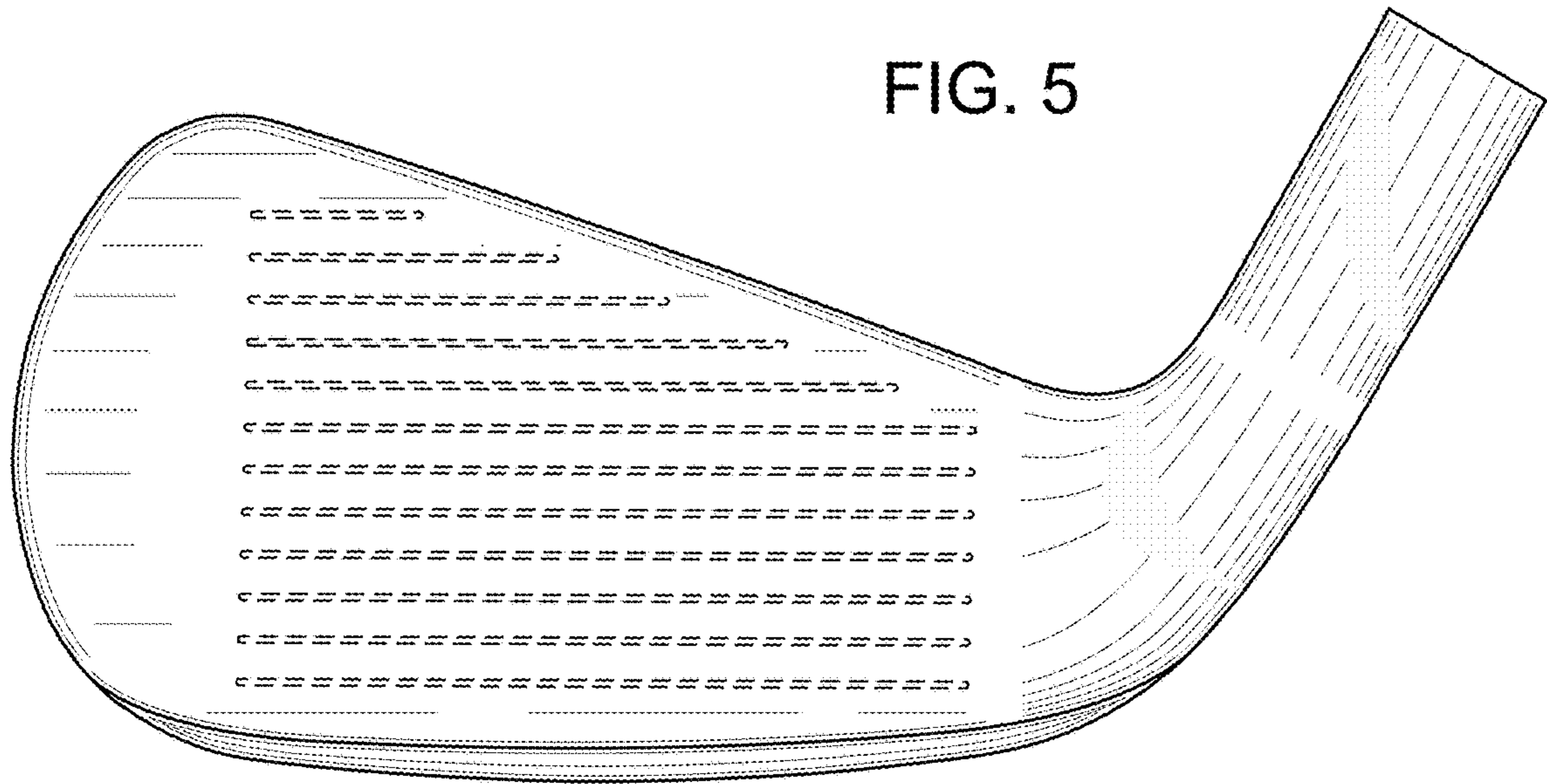


FIG. 5

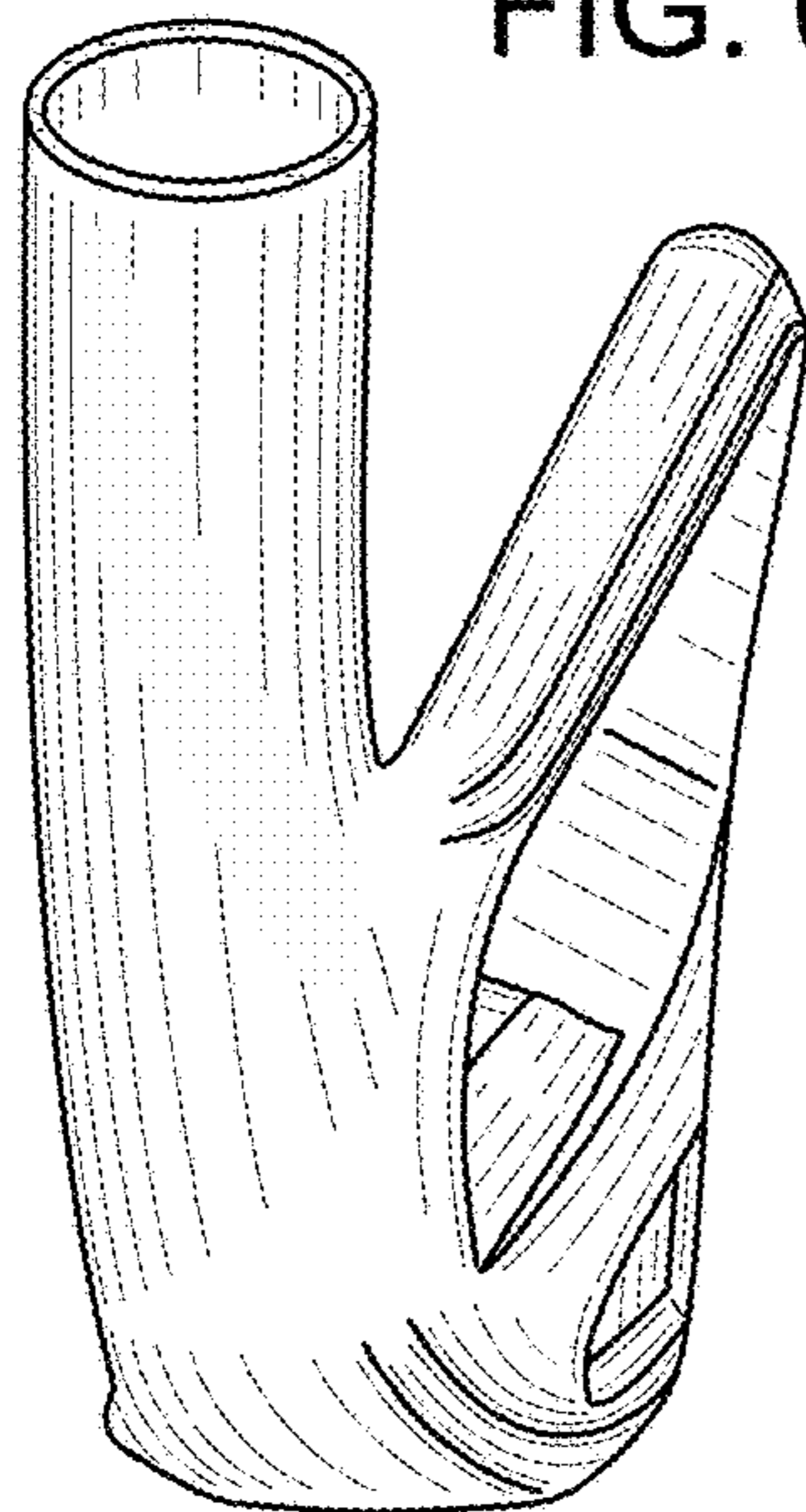


FIG. 6

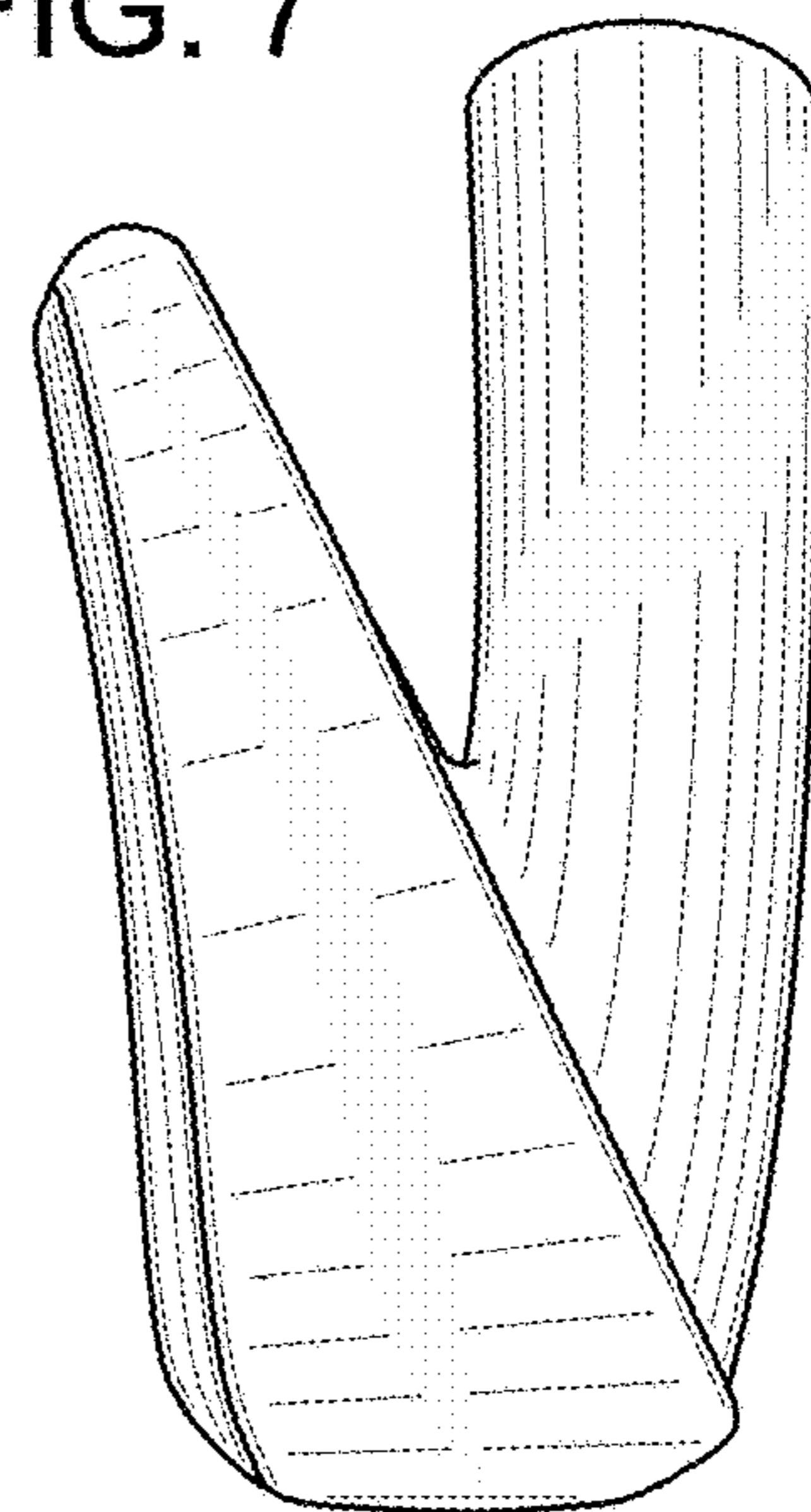


FIG. 7