



US00D806810S

(12) **United States Design Patent**
Chen

(10) **Patent No.:** **US D806,810 S**

(45) **Date of Patent:** **** Jan. 2, 2018**

- (54) **EXERCISE INVERSION TABLE**
- (71) Applicant: **Xuejun Chen**, Yongkang (CN)
- (72) Inventor: **Xuejun Chen**, Yongkang (CN)
- (73) Assignee: **Zhejian Meier Fitness Equipment Co., Ltd.**, Yongkang, Zhejiang Province (CN)
- (**) Term: **15 Years**
- (21) Appl. No.: **29/567,529**
- (22) Filed: **Jun. 9, 2016**

(30) **Foreign Application Priority Data**

Jan. 27, 2016 (CN) 2016 3 0030194

(51) **LOC (11) Cl.** **21-02**

(52) **U.S. Cl.**
USPC **D21/690**

(58) **Field of Classification Search**

USPC D24/188, 183, 192; D21/88, 695, 694, D21/690, 691, 686, 687, 823; D6/333, D6/375; D12/178; 74/551.1, 551.8, 74/551.3; 601/84, 5, 23; 482/144, 51, 482/145, 143, 146, 147, 96, 57, 72, 907, 482/908, 105

CPC A61H 1/0218; A61H 2203/0493; A61H 2201/1642; A61H 1/0292; A63B 22/0023; A63B 21/0622; A63B 2208/0285

See application file for complete search history.

(56) **References Cited**

U.S. PATENT DOCUMENTS

- D581,996 S * 12/2008 Teeter D21/690
- D582,495 S * 12/2008 Lindblad D21/690
- 7,896,790 B1 * 3/2011 Wei A61H 1/0218
482/144
- D650,025 S * 12/2011 Leier D21/691

- D650,026 S * 12/2011 Leier D21/691
- D664,220 S * 7/2012 Leier D21/695
- 8,480,543 B1 * 7/2013 Leier A63B 23/025
482/51
- 2006/0030466 A1 * 2/2006 Chen A61H 1/0218
482/145
- 2008/0261791 A1 * 10/2008 Chen A61H 1/0218
482/144
- 2009/0124473 A1 * 5/2009 Teeter A61H 1/0218
482/144
- 2011/0256993 A1 * 10/2011 Wei A61H 1/0218
482/144
- 2013/0059705 A1 * 3/2013 Leier A61H 1/0222
482/144
- 2013/0059706 A1 * 3/2013 Leier A61H 1/0222
482/144

(Continued)

Primary Examiner — Robert M. Spear

Assistant Examiner — Ryan Harvey

(74) *Attorney, Agent, or Firm* — Edwin D. Schindler

(57) **CLAIM**

The ornamental design for an exercise inversion table, as shown and described.

DESCRIPTION

FIG. 1 is a front, perspective view of exercise inversion table showing the present design;

FIG. 2 is a front view of the exercise inversion table of FIG. 1;

FIG. 3 is a rear view of the exercise inversion table of FIG. 1;

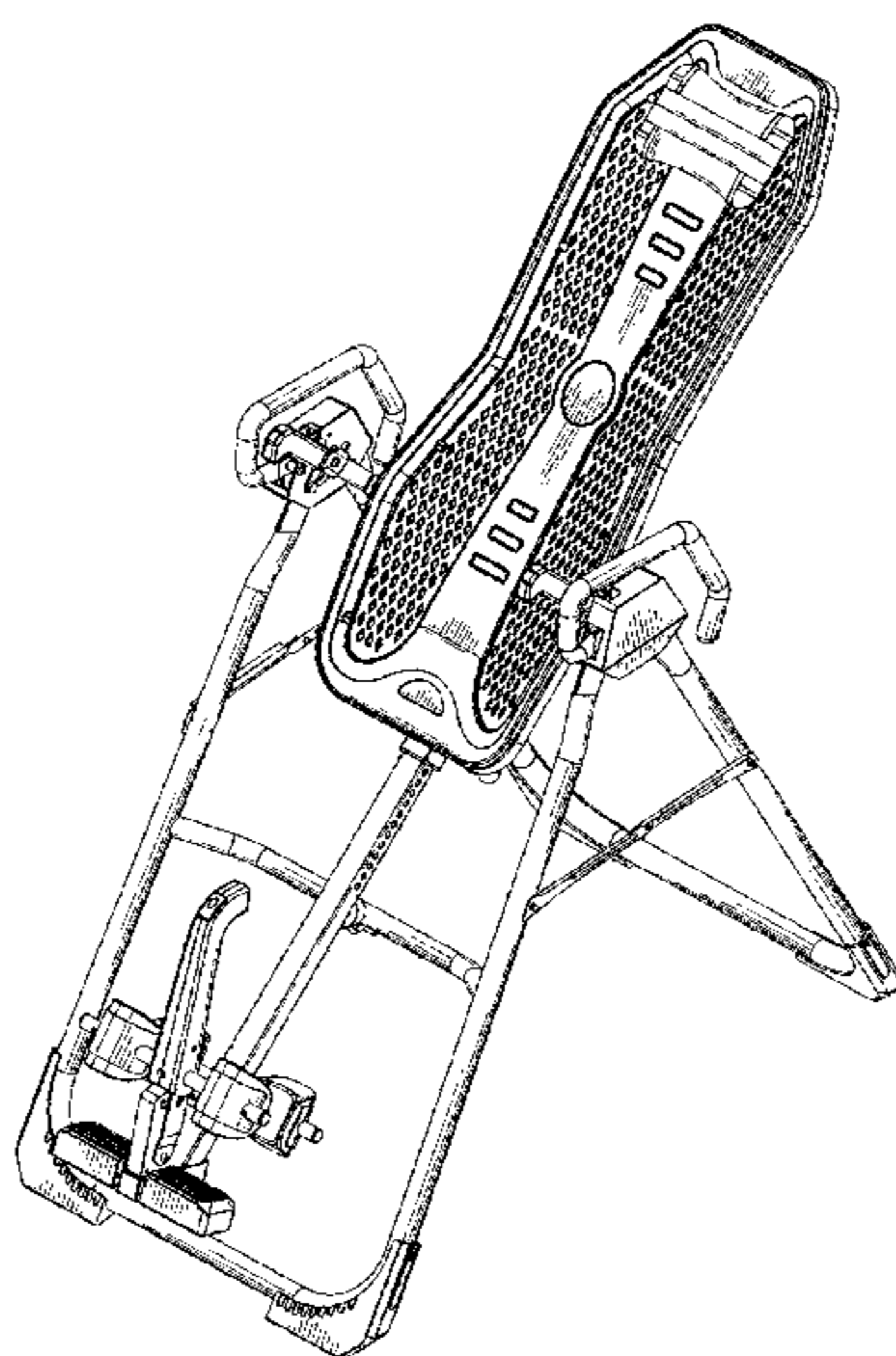
FIG. 4 is a right-side view of the exercise inversion table of FIG. 1;

FIG. 5 is a left-side view of the exercise inversion table of FIG. 1;

FIG. 6 is a top view of the exercise inversion table of FIG. 1 in a partially upside-down mode; and,

FIG. 7 is a bottom view of the exercise inversion table of FIG. 1 in a fully upside-down mode.

1 Claim, 7 Drawing Sheets



(56)

References Cited

U.S. PATENT DOCUMENTS

2013/0079205 A1* 3/2013 Leier A61H 1/0222
482/144
2015/0202110 A1* 7/2015 Leier A63B 21/00054
601/84
2016/0346158 A1* 12/2016 Leier A61H 7/001
2016/0361586 A1* 12/2016 Wang A61H 1/0229
2017/0119612 A1* 5/2017 Wang A61H 1/001

* cited by examiner

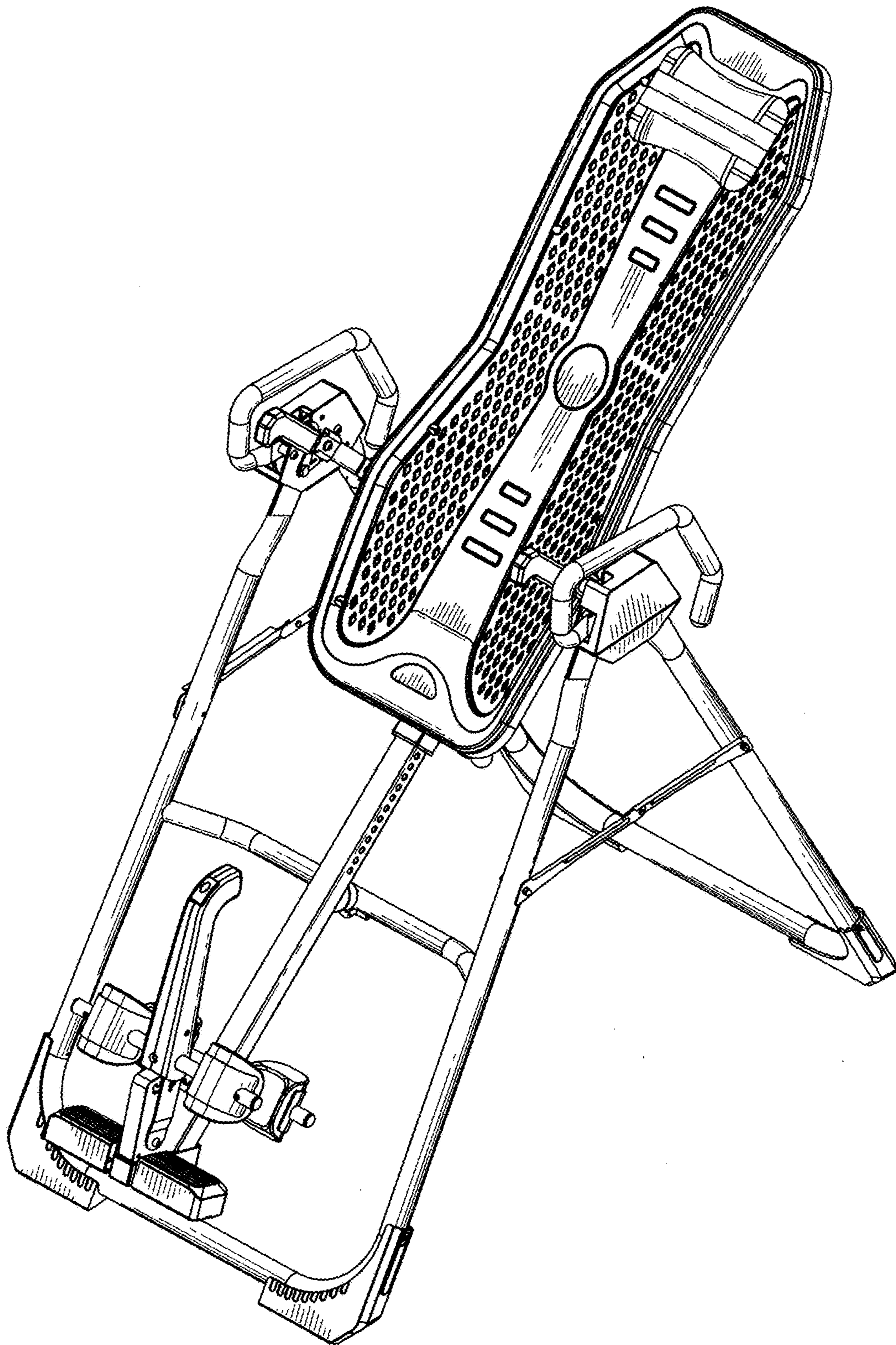


FIG. 1

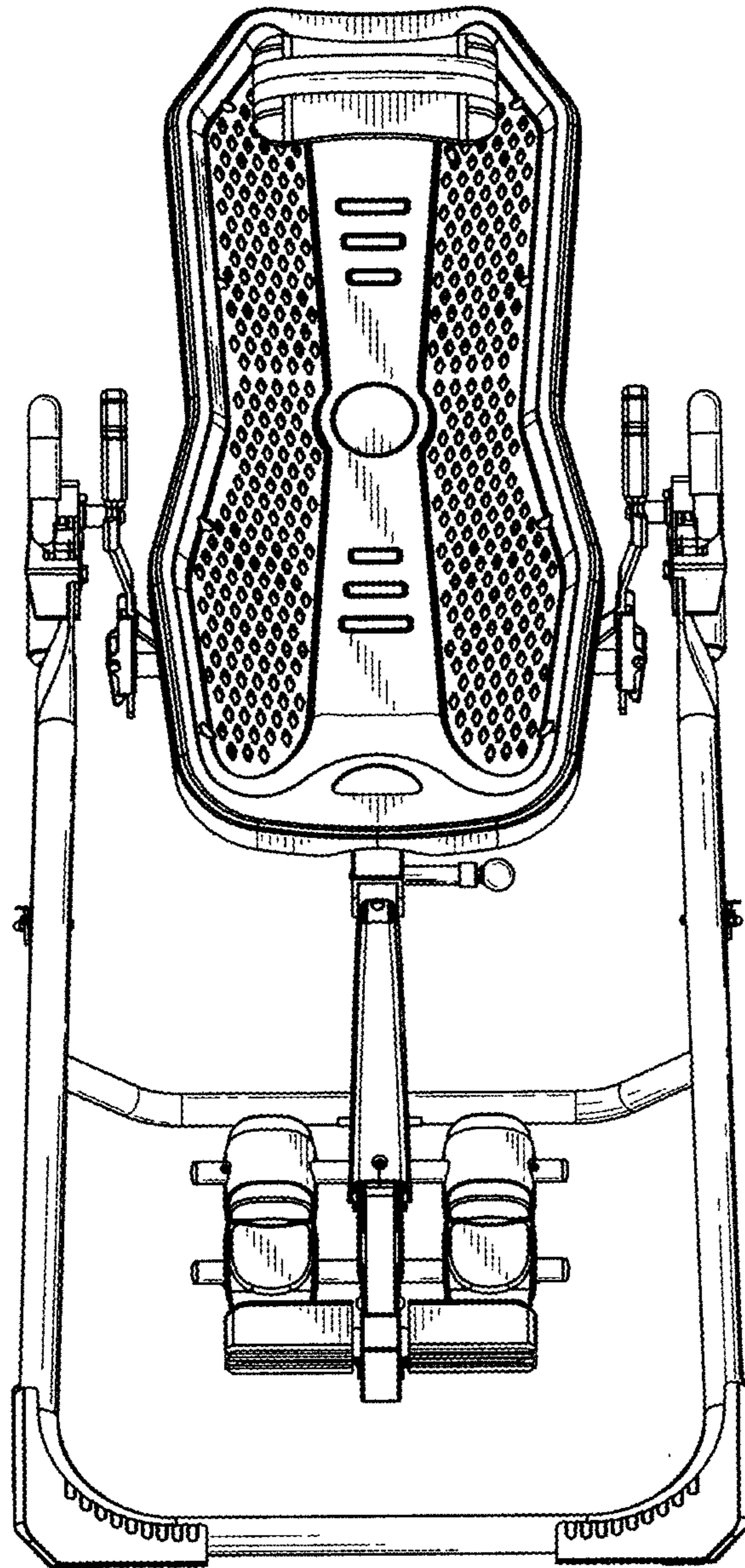


FIG. 2

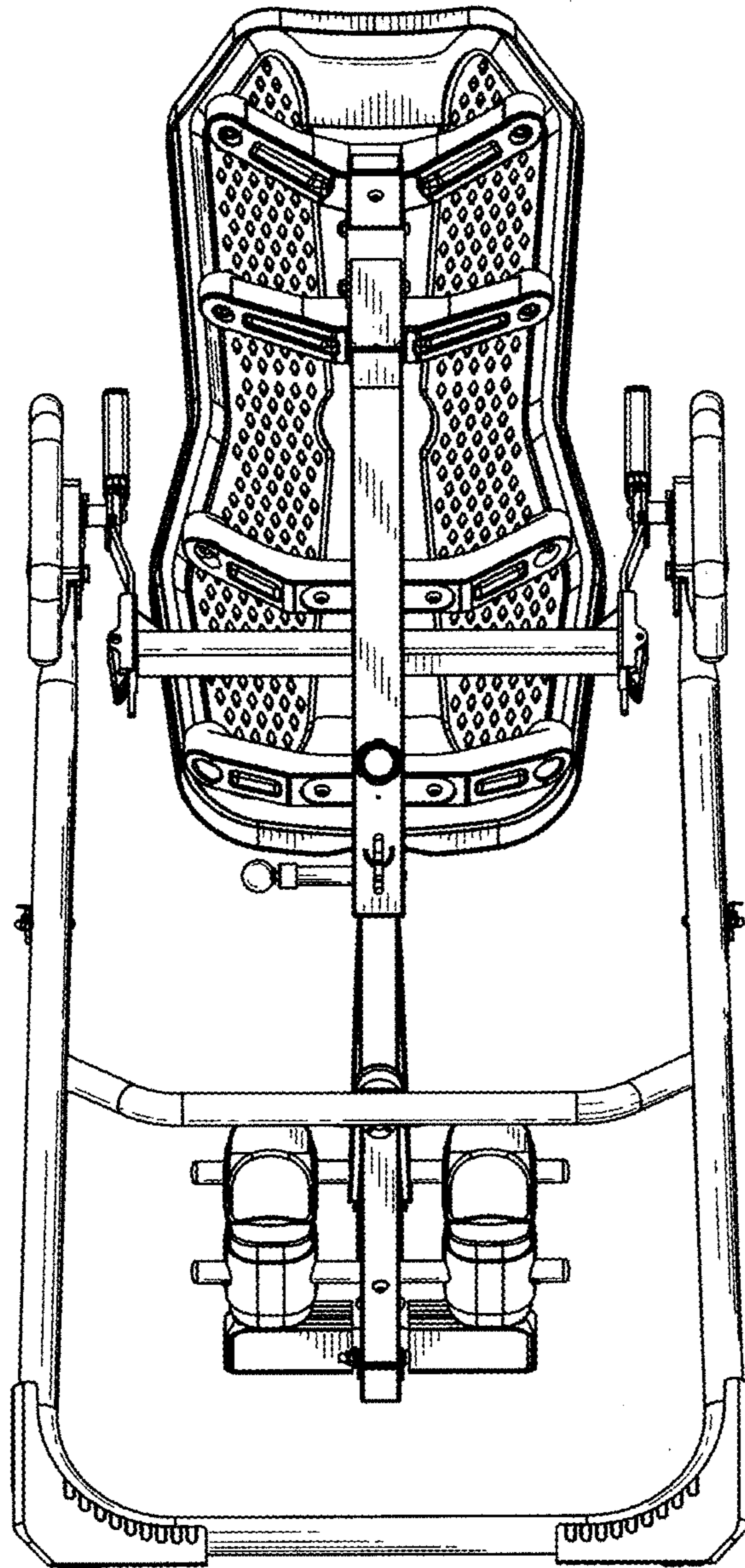


FIG. 3

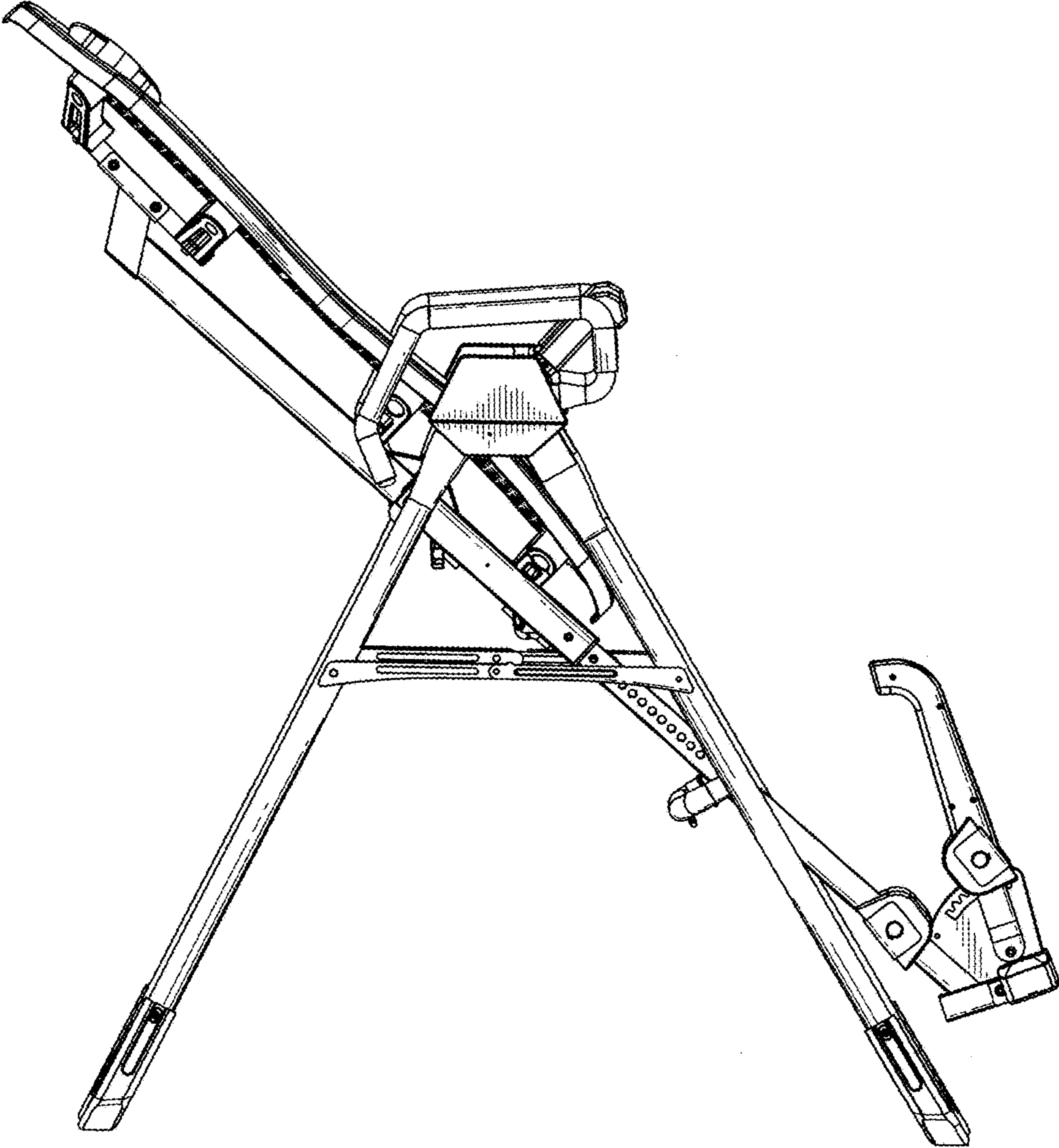


FIG. 4

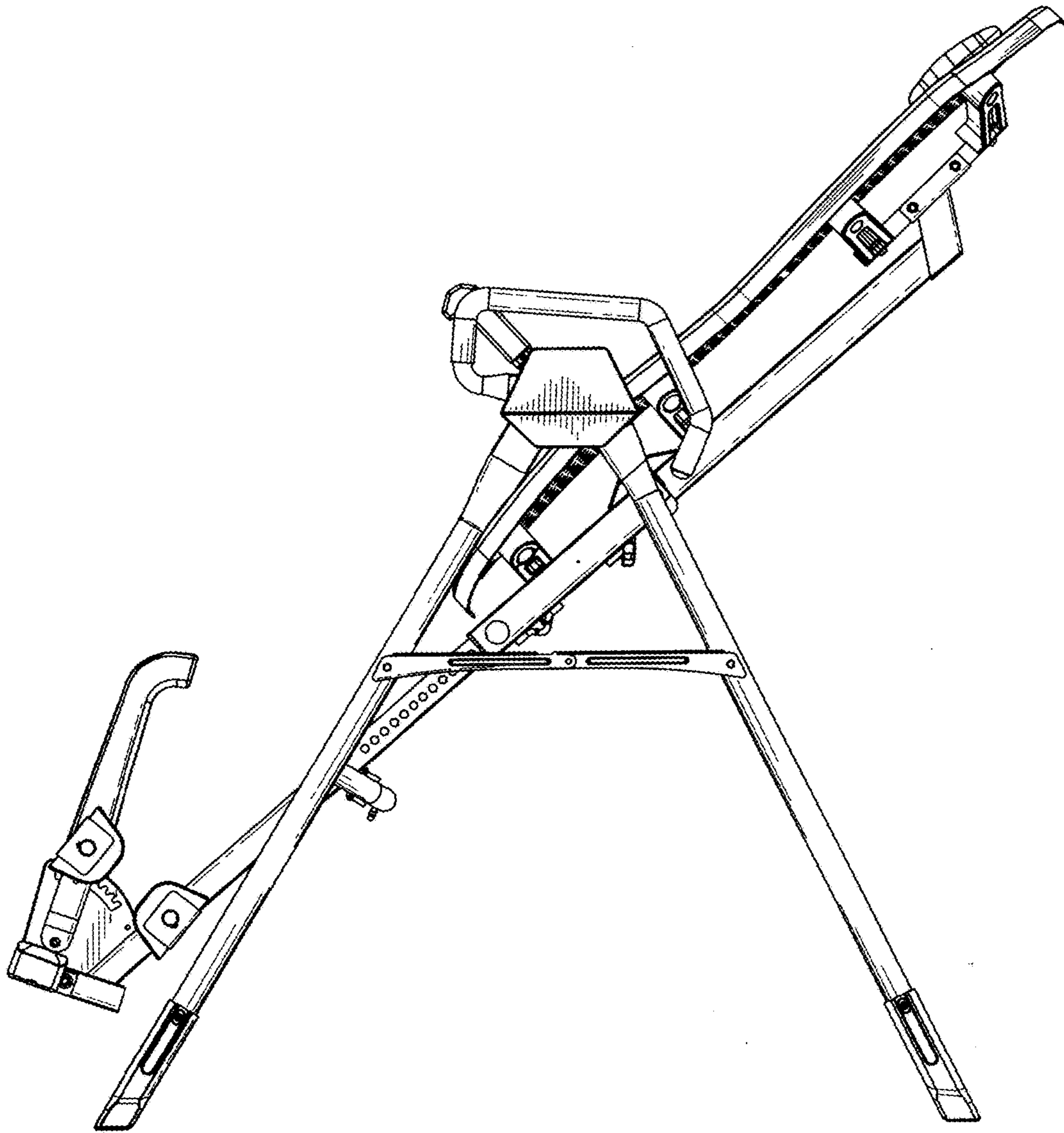


FIG. 5

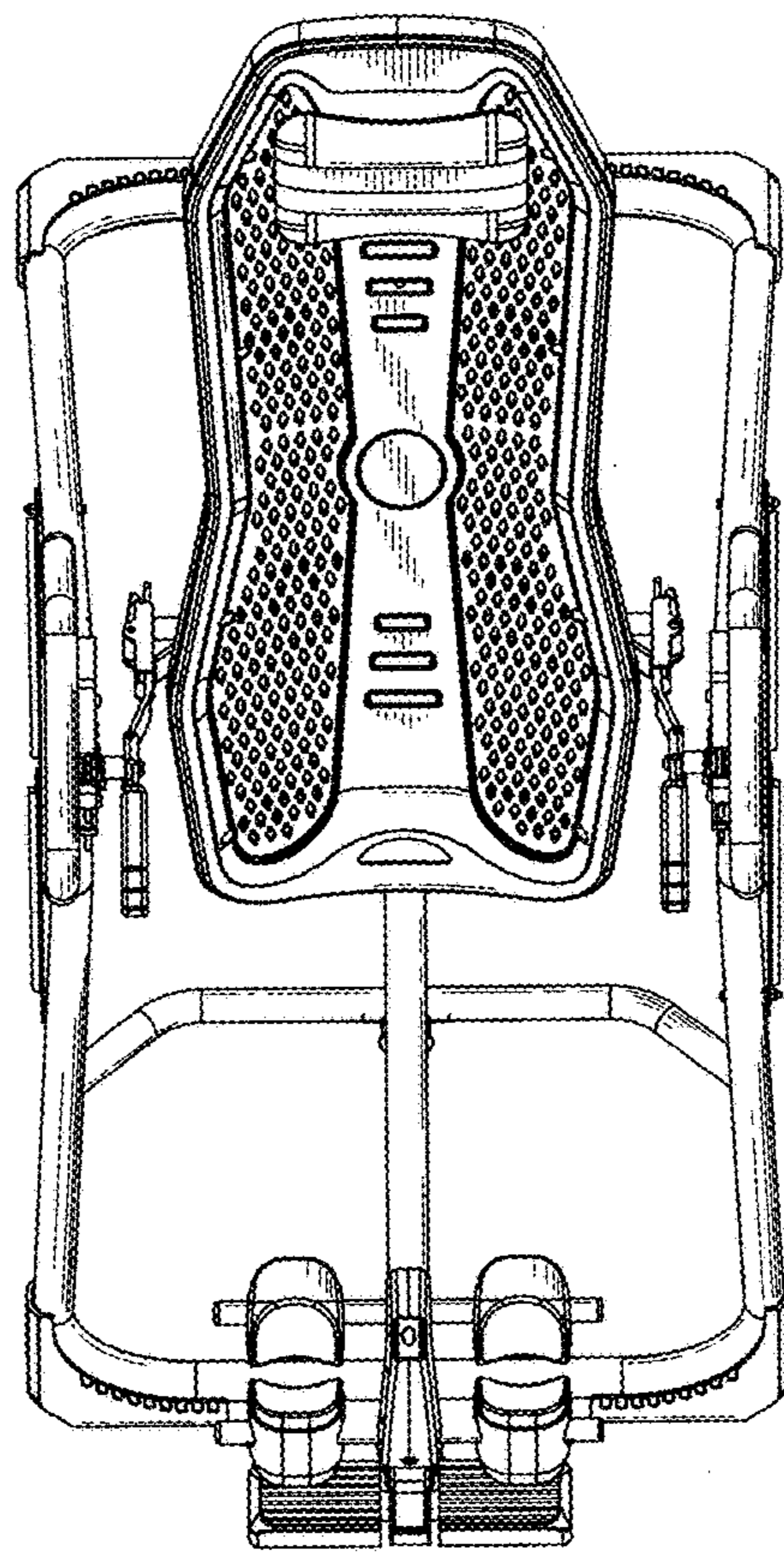


FIG. 6

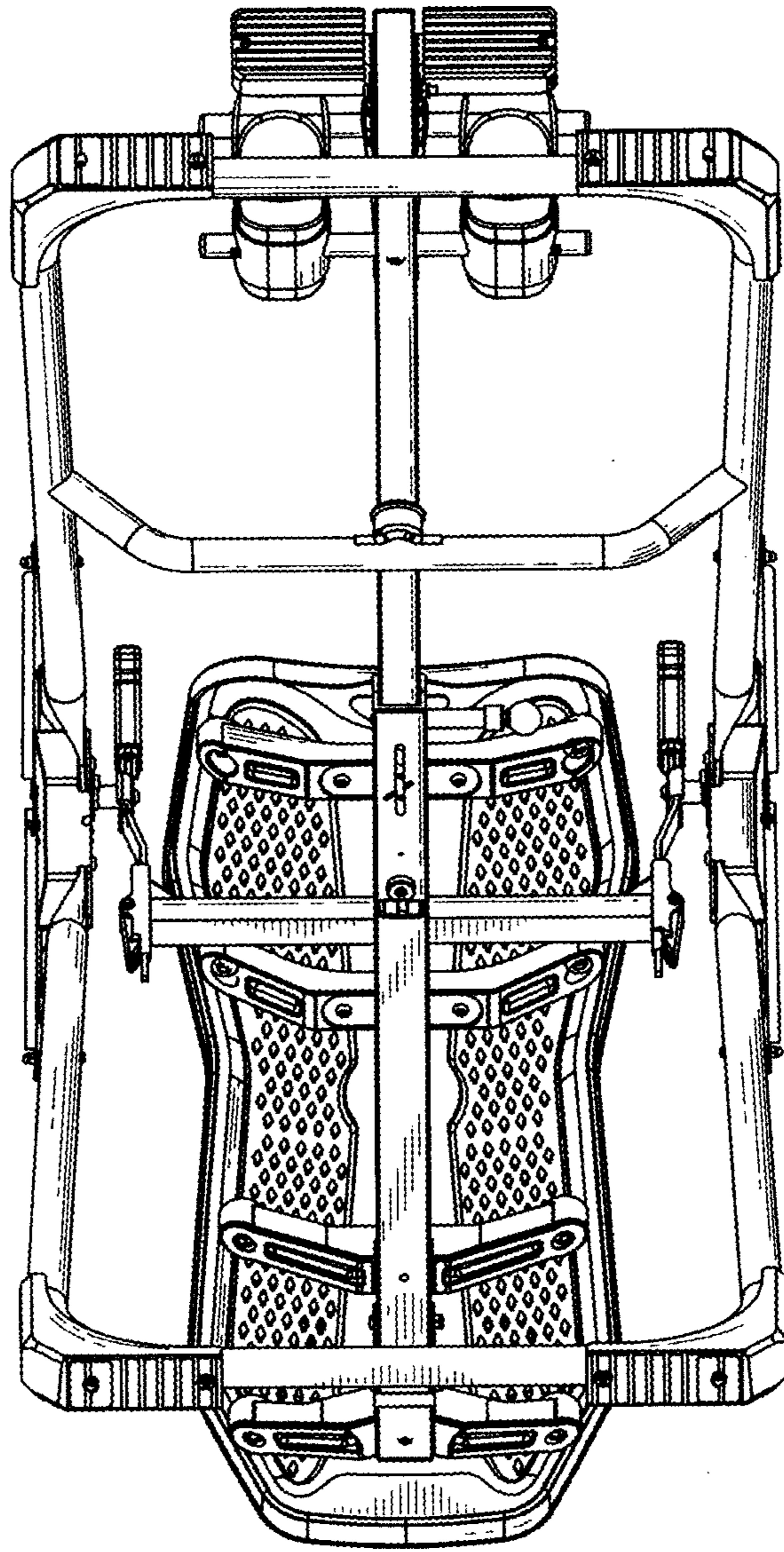


FIG. 7