



US00D806809S

(12) **United States Design Patent**
Orellana et al.

(10) **Patent No.:** **US D806,809 S**
(45) **Date of Patent:** **** Jan. 2, 2018**

(54) **PORTABLE ABDOMINAL MACHINE**
(71) Applicants: **William Orellana**, Van Nuys, CA (US);
Olman Martinez, Van Nuys, CA (US)
(72) Inventors: **William Orellana**, Van Nuys, CA (US);
Olman Martinez, Van Nuys, CA (US)

D406,290 S * 3/1999 McBride D21/676
D455,803 S * 4/2002 Webber D21/686
D477,372 S * 7/2003 Garner D21/690
D568,951 S * 5/2008 Tornabene D21/673
D741,421 S * 10/2015 Ho D21/687
D743,494 S * 11/2015 Ho D21/687
D776,768 S * 1/2017 Ho D21/687
2016/0114204 A1 * 4/2016 Swanson A63B 21/4029
482/142

(**) Term: **15 Years**

* cited by examiner

(21) Appl. No.: **29/581,512**

Primary Examiner — Cynthia Ramirez

(22) Filed: **Oct. 19, 2016**

Assistant Examiner — Michael A Maharajh

(51) **LOC (11) Cl.** **21-02**

(74) *Attorney, Agent, or Firm* — RG Patent Consulting, LLC; Rachel Gilboy

(52) **U.S. Cl.**

USPC **D21/687**

(58) **Field of Classification Search**

(57) **CLAIM**

USPC 128/845; 482/129, 130, 140, 141, 142,
482/145, 148; 602/32, 33; D21/662,
D21/673, 676, 686, 687, 690, 695;
D24/183

The ornamental design for a portable abdominal machine, as shown and described.

CPC A63B 2208/0233; A63B 2213/00; A63B
23/0405; Y10S 482/907

DESCRIPTION

See application file for complete search history.

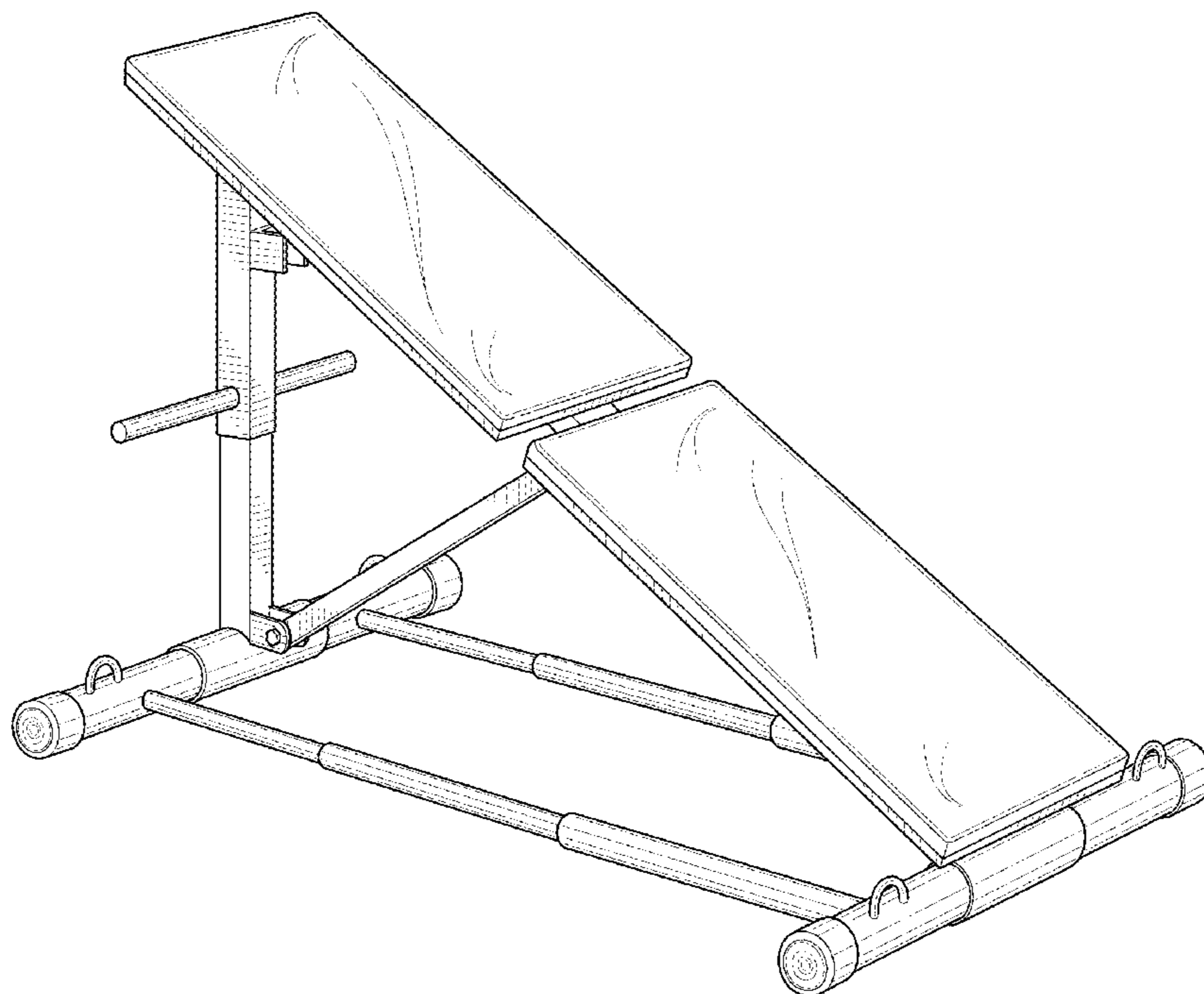
FIG. 1 is a perspective view of the portable abdominal machine showing our new design;
FIG. 2 is a front elevation view thereof;
FIG. 3 is a rear elevation view thereof;
FIG. 4 is a left side elevation view thereof;
FIG. 5 is a right side elevation view thereof;
FIG. 6 is a top plan view thereof; and,
FIG. 7 is a bottom plan view thereof.

(56) **References Cited**

U.S. PATENT DOCUMENTS

4,546,967 A * 10/1985 Kecala A63B 21/4031
482/145
D349,344 S * 8/1994 Kudlak D21/687
5,472,401 A * 12/1995 Rouillard A63B 23/0233
482/142
D370,506 S * 6/1996 Clem D21/687

1 Claim, 6 Drawing Sheets



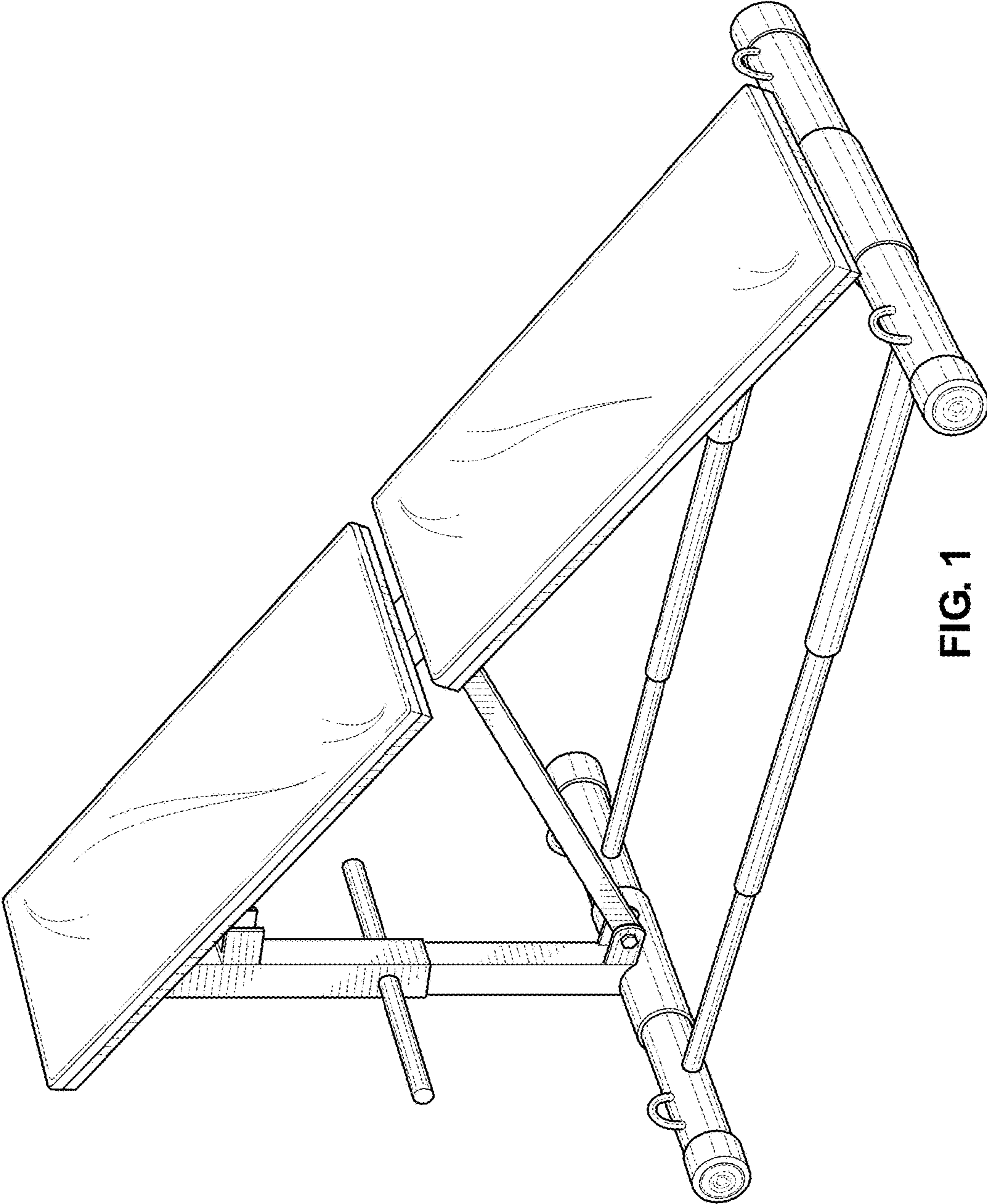


FIG. 1

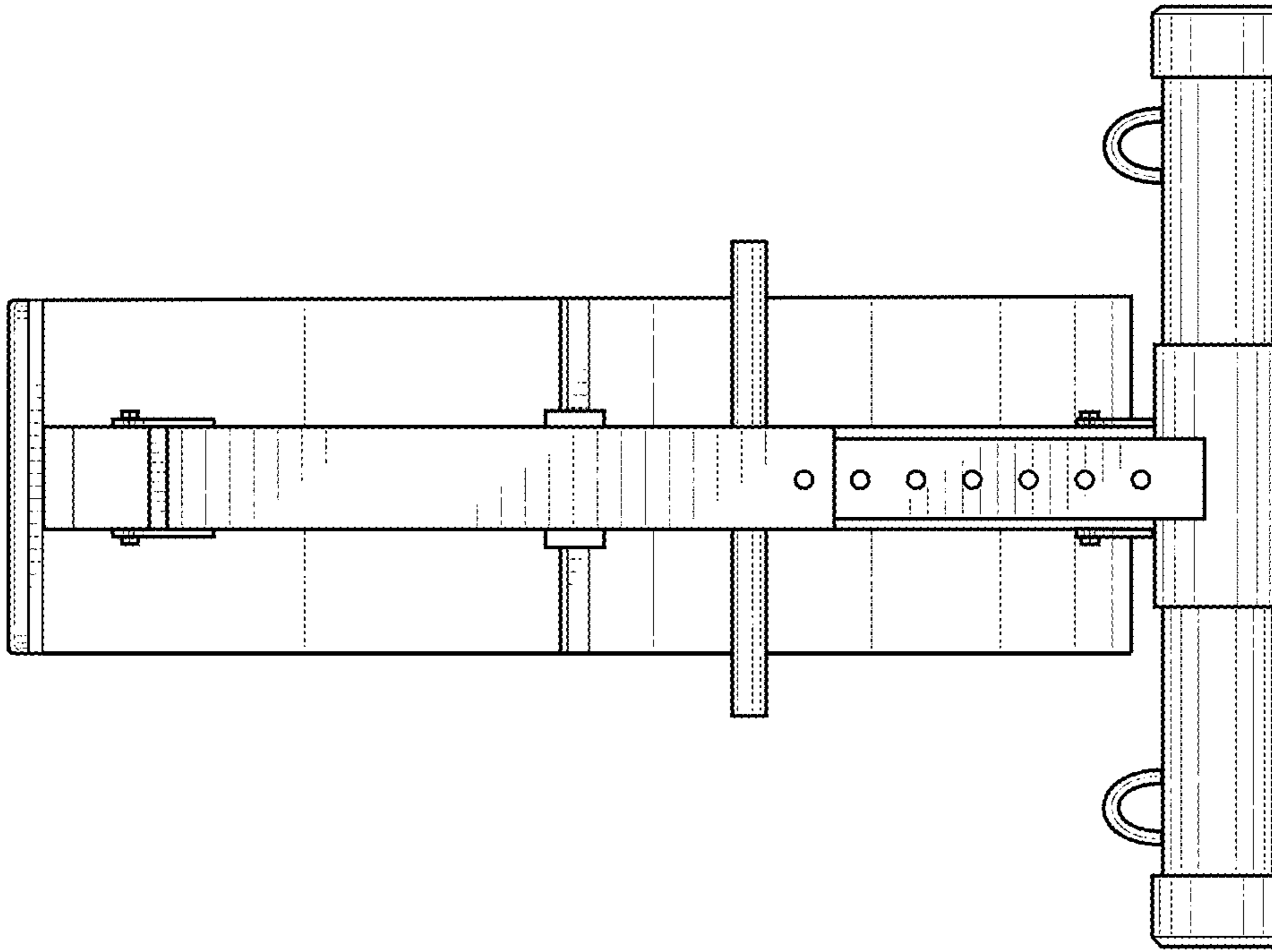


FIG. 3

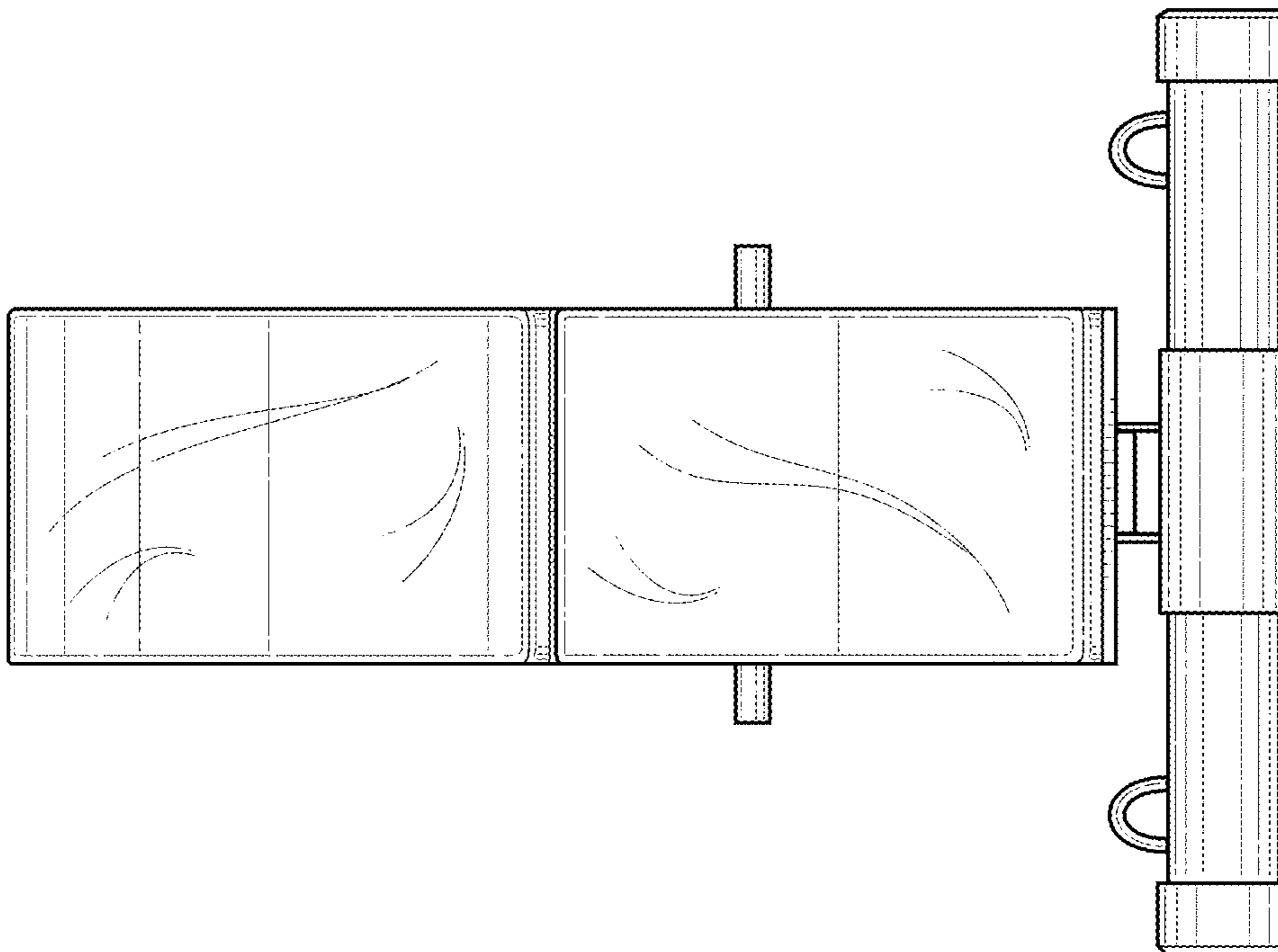


FIG. 2

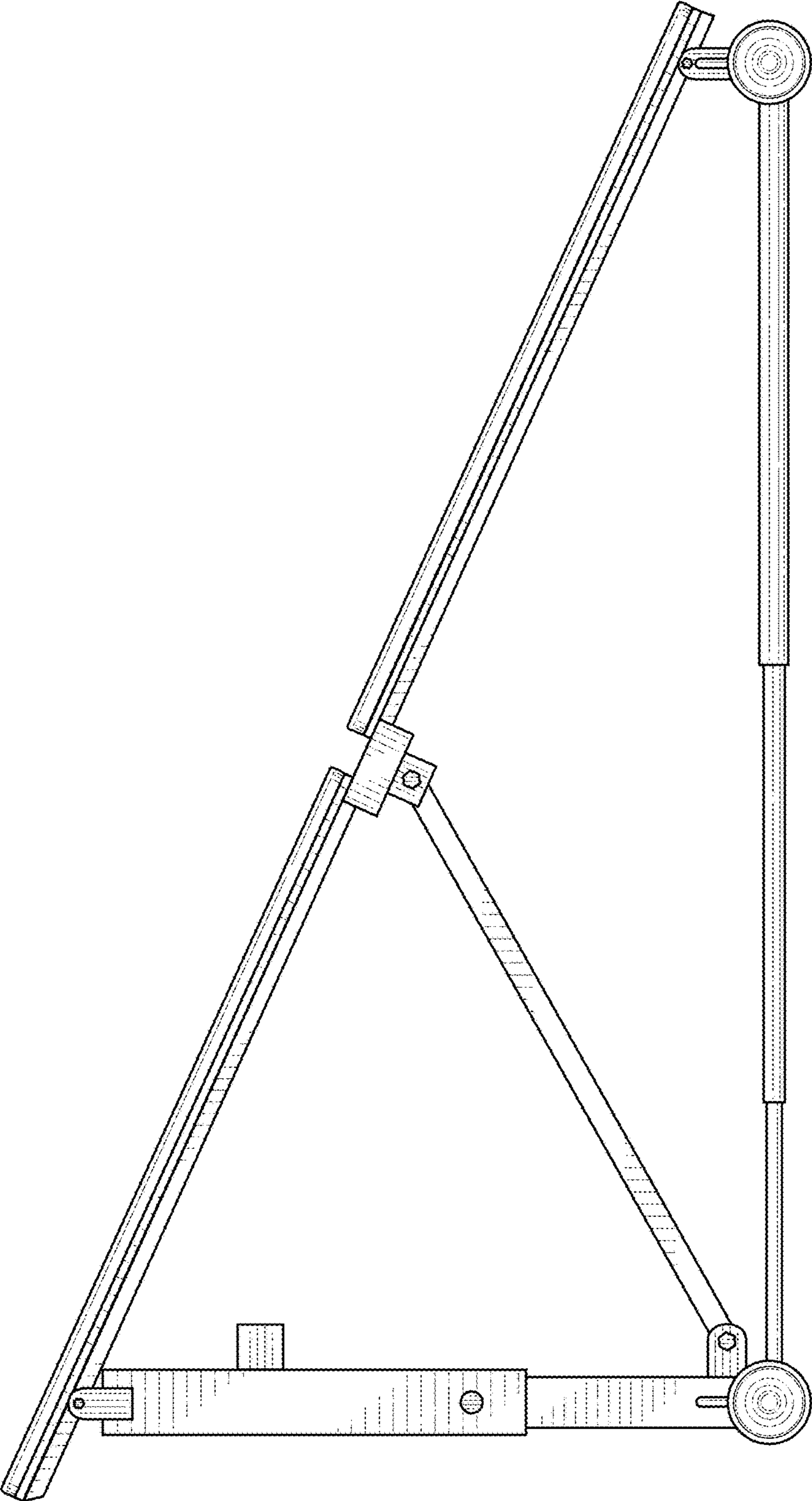


FIG. 4

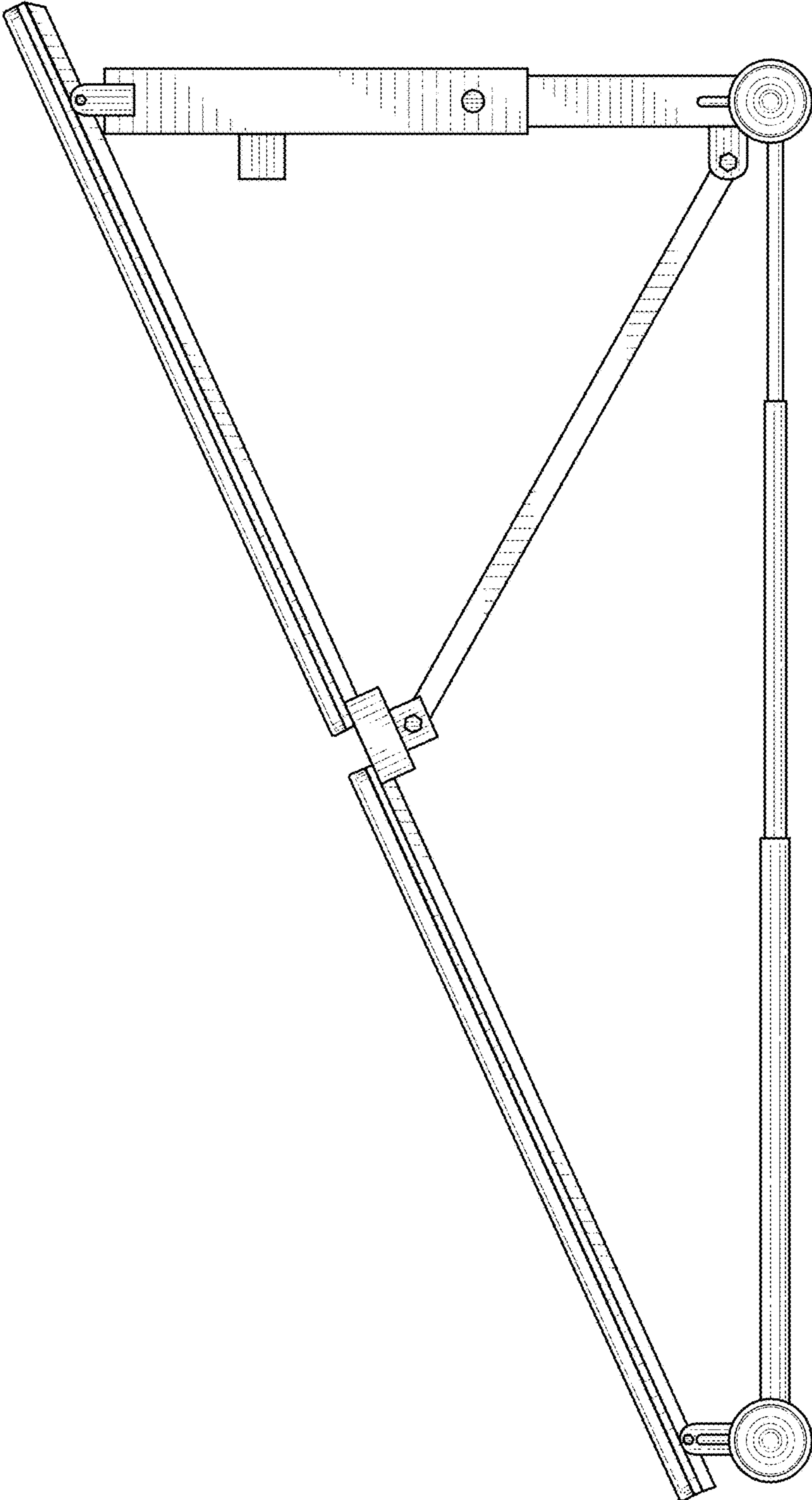


FIG. 5

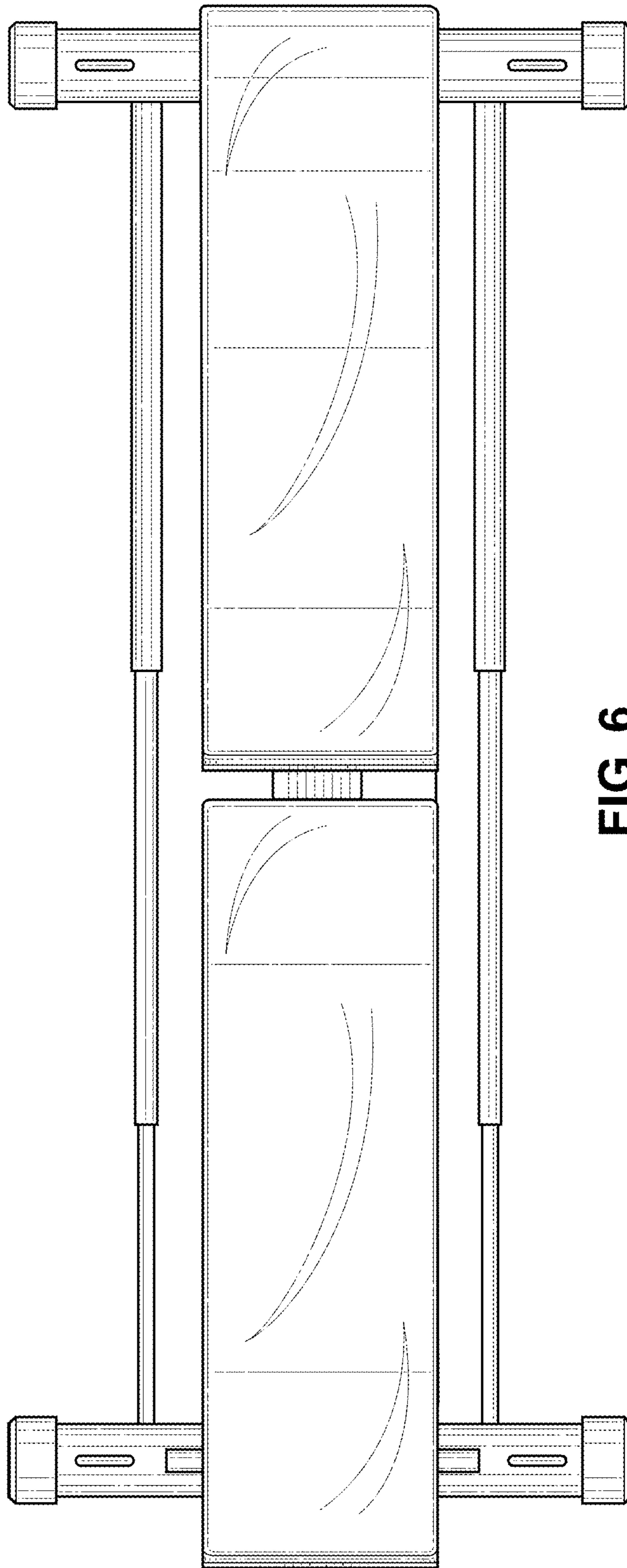


FIG. 6

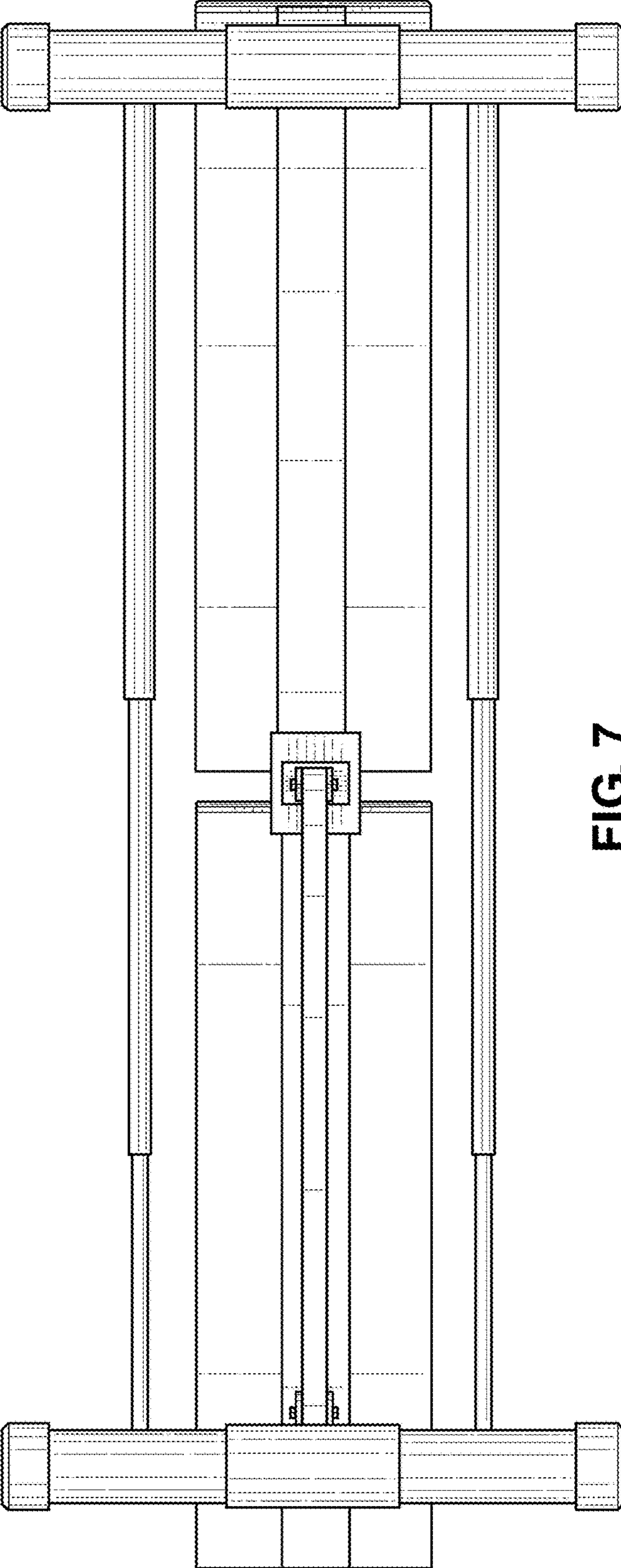


FIG. 7