



US00D806808S

(12) **United States Design Patent**  
**Gregory**

(10) **Patent No.:** **US D806,808 S**  
(45) **Date of Patent:** **\*\* Jan. 2, 2018**

(54) **SURFACE MOUNTED SUPPORT RAIL FOR MODULAR EXERCISE DEVICE**

4,635,934 A 1/1987 Roethke  
D289,353 S 4/1987 Davis  
D294,667 S 3/1988 Handler

(Continued)

(71) Applicant: **Trever Gregory**, Newport Beach, CA (US)

*Primary Examiner* — Robert M Spear

(72) Inventor: **Trever Gregory**, Newport Beach, CA (US)

*Assistant Examiner* — Ryan Harvey

(74) *Attorney, Agent, or Firm* — Koppel, Patrick, Heybl & Philpott

(\*\*) Term: **15 Years**

(57) **CLAIM**

(21) Appl. No.: **29/605,562**

The ornamental design for a surface mounted support rail for modular exercise device, as shown and described herein.

(22) Filed: **May 26, 2017**

**DESCRIPTION**

**Related U.S. Application Data**

(62) Division of application No. 29/561,212, filed on Apr. 14, 2016, now Pat. No. Des. 788,234, which is a division of application No. 29/493,144, filed on Jun. 5, 2014, now Pat. No. Des. 772,356.

FIG. 1 is a top, front, left side perspective view of a surface mounted support rail for modular exercise device;

FIG. 2 is an enlarged detail view of a portion of the surface mounted support rail for modular exercise device shown in FIG. 1;

(51) **LOC (11) Cl.** ..... **21-02**

(52) **U.S. Cl.**

USPC ..... **D21/686**

FIG. 3 is an enlarged detail view of another portion of the surface mounted support rail for modular exercise device shown in FIG. 1;

(58) **Field of Classification Search**

USPC ..... D8/381, 373, 71, 8, 354; D6/552, 566, D6/555, 570, 574, 569; D21/686, 694; 211/187, 181.1; 108/108; 99/426, 449; D7/701; D15/18; 482/135, 101, 142, 482/908, 97

CPC ... A47F 5/01; A47F 5/13; A47J 37/069; A47J 43/18; F24C 15/16

See application file for complete search history.

FIG. 4 is a front elevation view of the surface mounted support rail for modular exercise device shown in FIG. 1;

FIG. 5 is a right side elevation view of the surface mounted support rail for modular exercise device shown in FIG. 1;

FIG. 6 is a left side elevation view of the surface mounted support rail for modular exercise device shown in FIG. 1;

FIG. 7 is a rear elevation view of the surface mounted support rail for modular exercise device shown in FIG. 1;

FIG. 8 is a top plan view of the surface mounted support rail for modular exercise device shown in FIG. 1, shown at an enlarged scale; and,

(56) **References Cited**

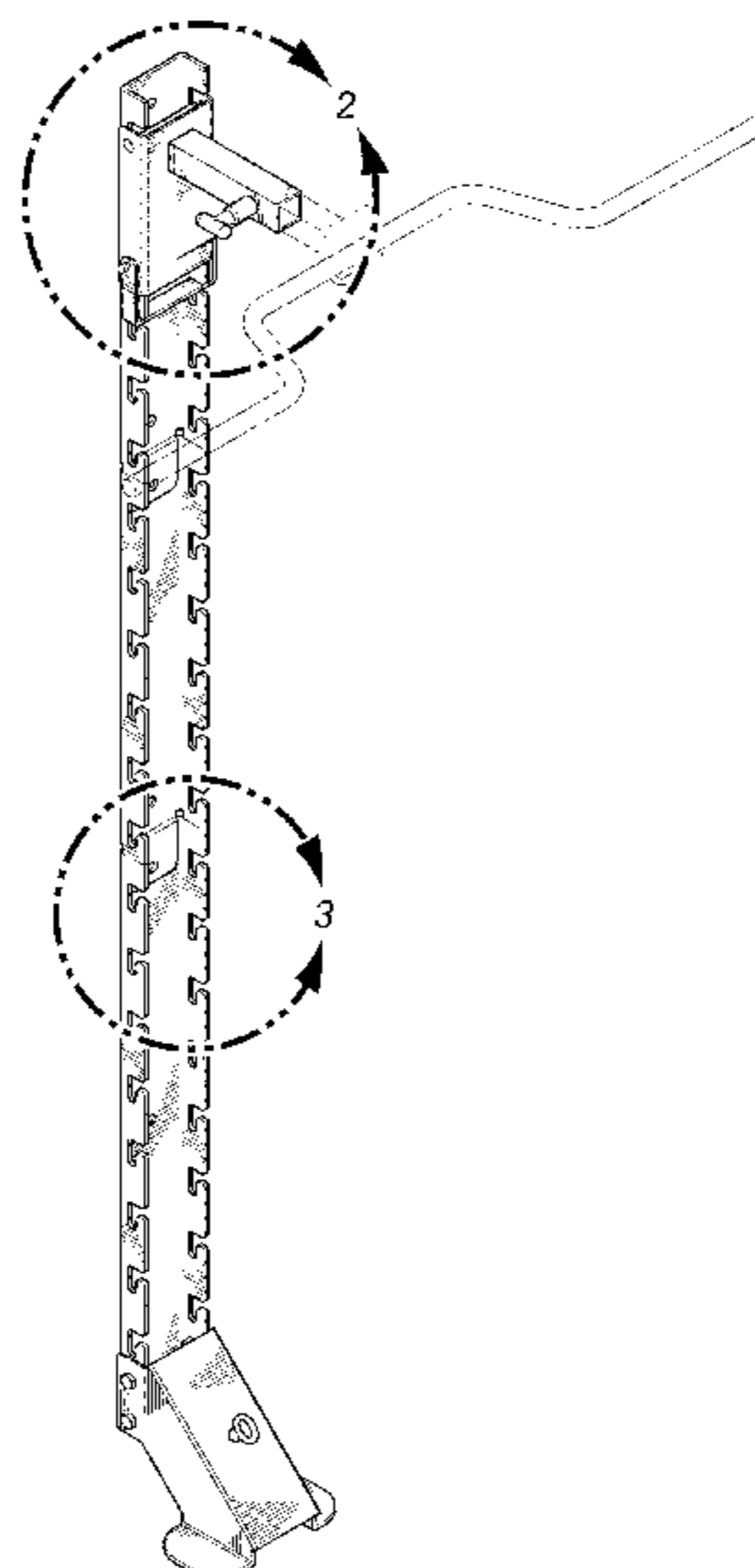
**U.S. PATENT DOCUMENTS**

3,207,511 A 9/1965 Hoffman  
3,614,097 A 10/1971 Blickman  
4,441,706 A 4/1984 Korzaniewski  
4,564,194 A \* 1/1986 Dawson ..... A63B 21/154  
482/102

FIG. 9 is a bottom plan view of the surface mounted support rail for modular exercise device shown in FIG. 1, shown at an enlarged scale.

The broken lines in FIG. 1 depict environmental subject matter only and form no part of the claimed design.

**1 Claim, 4 Drawing Sheets**



(56)

References Cited

U.S. PATENT DOCUMENTS

4,856,773	A *	8/1989	Deola .....	A63B 21/0628 482/102	7,798,946	B2	9/2010	Dalebout et al.
4,955,604	A *	9/1990	Pogue .....	A63B 21/0783 482/106	7,896,786	B1	3/2011	Osbourne
5,046,722	A	9/1991	Antoon		D653,528	S	2/2012	Choi
5,273,506	A	12/1993	Dawson		RE43,397	E *	5/2012	Rogers ..... D21/694
5,482,168	A *	1/1996	Welch .....	A47B 96/00 211/106	D691,865	S	10/2013	Wang
5,688,216	A	11/1997	Mauriello .....	A63B 21/0611	8,998,781	B1 *	4/2015	Nelson ..... A63B 21/04 482/129
5,899,041	A *	5/1999	Durin .....	E04B 9/065 211/126.1	8,998,791	B2	4/2015	Nelson
D446,710	S	8/2001	Sterling		9,017,228	B2 *	4/2015	Hodges ..... A63B 69/201 482/83
6,319,179	B1 *	11/2001	Hinds .....	A63B 21/0552 482/121	D734,997	S *	7/2015	Leblanc ..... D7/701
D455,310	S	4/2002	Webber		9,295,871	B2 *	3/2016	Luedeka ..... A63B 21/4023
6,386,096	B1	5/2002	Tiemann .....	A47J 43/18	9,333,387	B2 *	5/2016	Hopperstad ..... A63B 21/078
D490,678	S	6/2004	Dion		D772,356	S *	11/2016	Orenstein ..... D21/686
6,918,498	B2	7/2005	Sparkowski .....	A47B 65/02	D788,234	S *	5/2017	Gregory ..... D21/686
D521,361	S	5/2006	Kish		2008/0179267	A1 *	7/2008	Johnson ..... A47F 5/101 211/87.01
D550,793	S	9/2007	Rogers		2008/0312051	A1	12/2008	Manyseng
7,641,602	B2 *	1/2010	Rogers .....	A63B 21/0615 482/100	2010/0048368	A1	2/2010	Donofrio
					2011/0237410	A1	9/2011	Perez
					2013/0035220	A1	2/2013	Adams
					2015/0352395	A1 *	12/2015	Gregory ..... A63B 23/03558 482/123
					2016/0199688	A1 *	7/2016	Briley ..... A63B 21/0615 482/97

\* cited by examiner

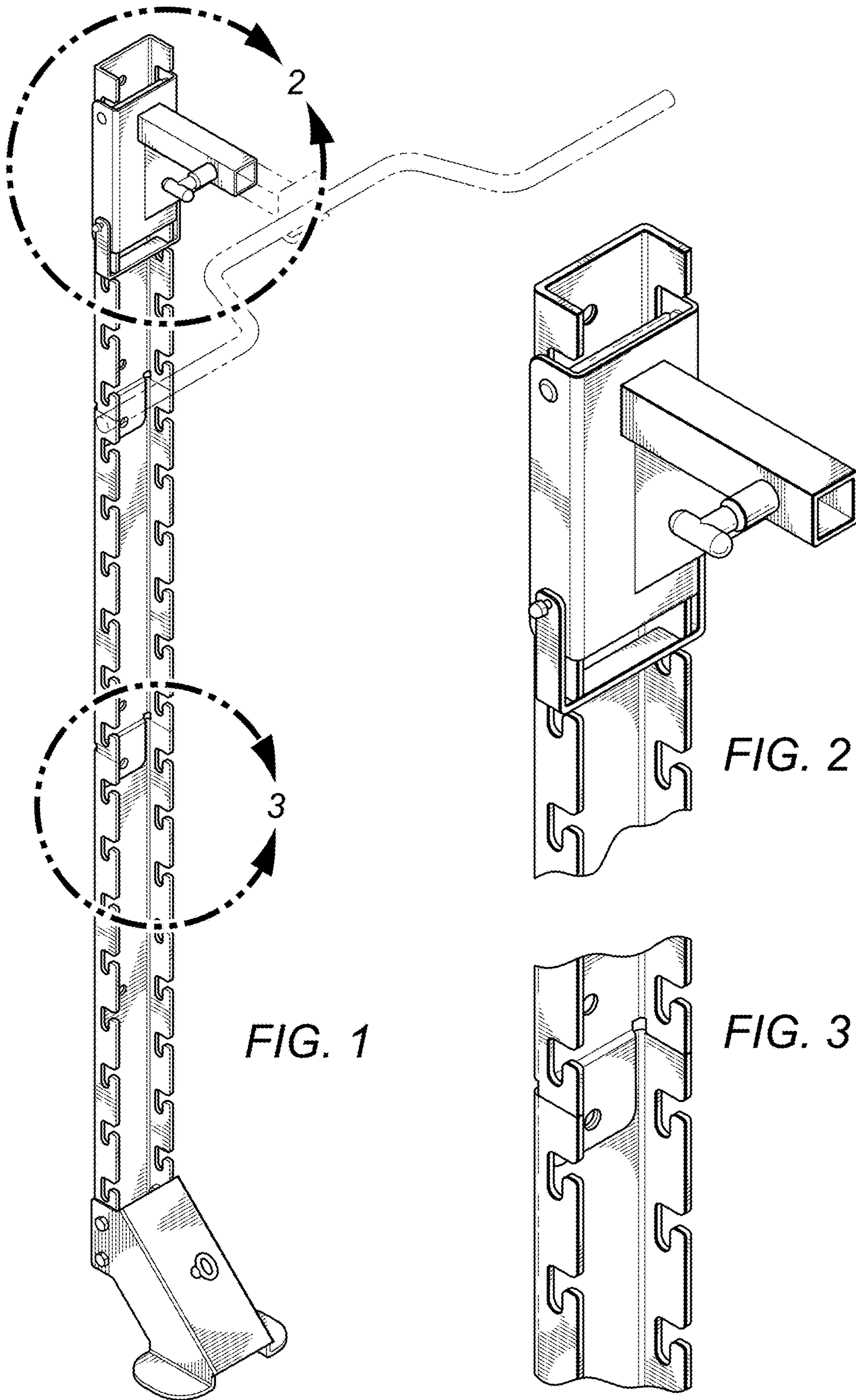


FIG. 1

FIG. 2

FIG. 3

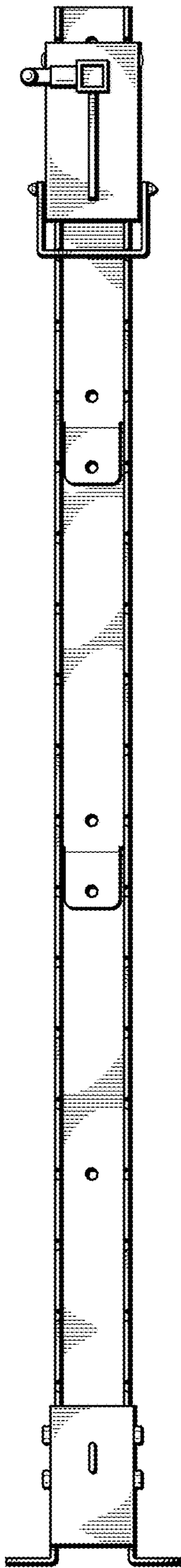


FIG. 4

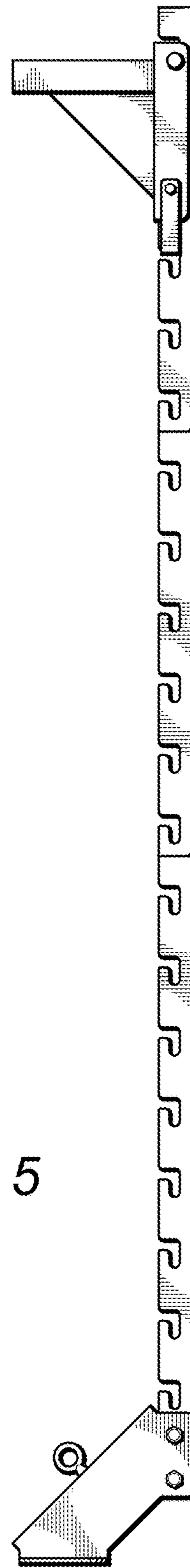


FIG. 5

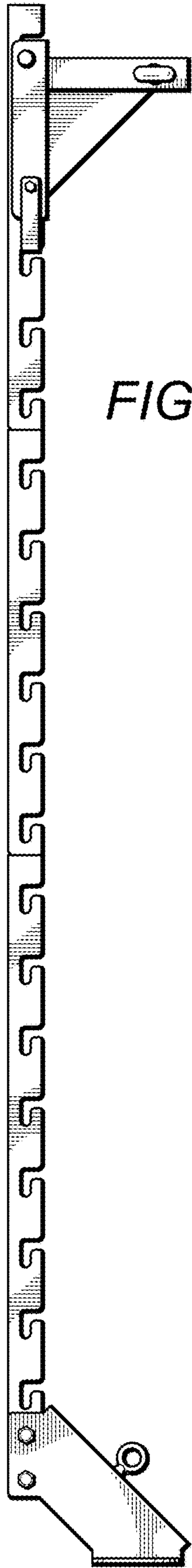


FIG. 6

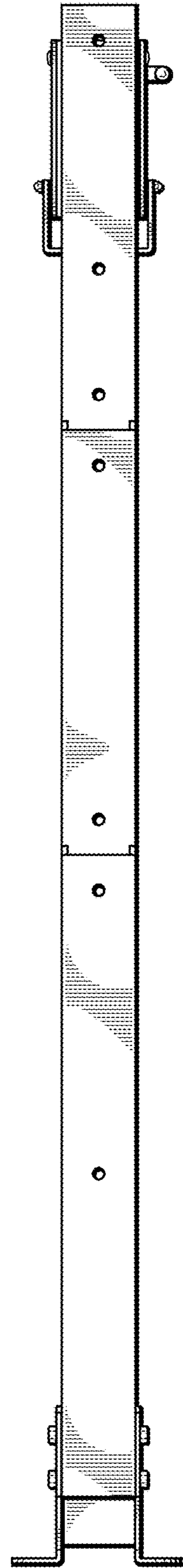
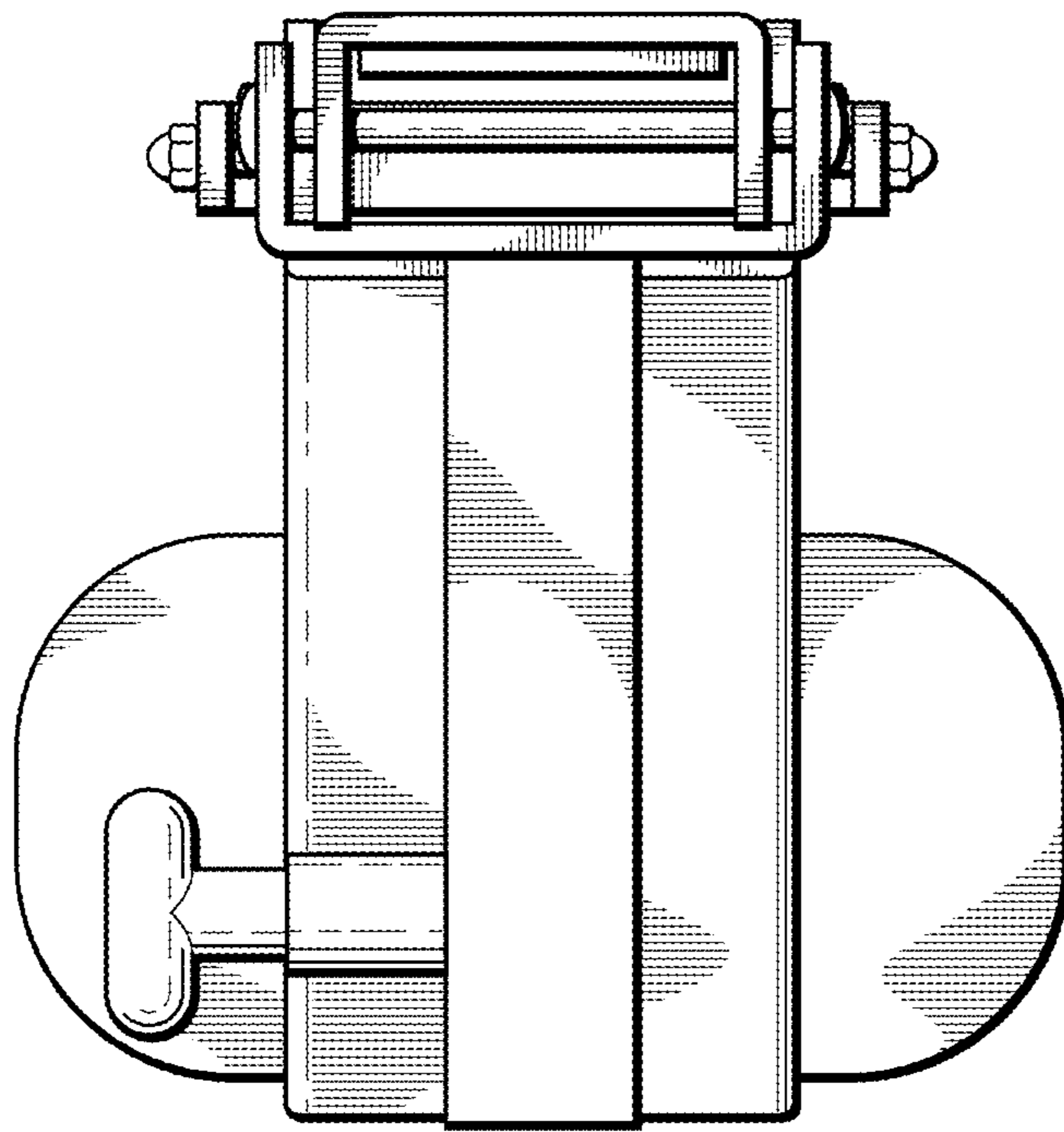


FIG. 7



*FIG. 8*

*FIG. 9*

