



US00D806807S

(12) **United States Design Patent**
Kang

(10) **Patent No.:** **US D806,807 S**

(45) **Date of Patent:** **** Jan. 2, 2018**

(54) **PORTABLE FITNESS EQUIPMENT**

(56) **References Cited**

(71) Applicants: **GOLDONEKOREA INC.**, Seoul (KR);
DONG KOO KANG, Gyeonggi-Do
(KR)

U.S. PATENT DOCUMENTS

D305,446 S *	1/1990	Valentine	D21/672
6,402,668 B1 *	6/2002	Harker	A63B 21/0004 482/121
9,126,075 B2 *	9/2015	Tomaszewski	A63B 21/06
D764,618 S *	8/2016	Lane	D21/798
2008/0081747 A1 *	4/2008	Mok	A63B 21/0004 482/121
2009/0093349 A1 *	4/2009	Cooper	A63B 21/0004 482/106

(72) Inventor: **Dong Koo Kang**, Yangju-si (KR)

(**) Term: **15 Years**

(21) Appl. No.: **35/501,519**

(22) Filed: **Mar. 4, 2016**

* cited by examiner

(80) **Hague Agreement Data**

Primary Examiner — George D Kirschbaum

Int. Filing Date: **Mar. 4, 2016**

(57) **CLAIM**

Int. Reg. No.: **DM/091805**

The ornamental design for portable fitness equipment, as shown and described.

Int. Reg. Date: **Mar. 4, 2016**

Int. Reg. Pub. Date: **Sep. 9, 2016**

DESCRIPTION

(30) **Foreign Application Priority Data**

Jan. 18, 2016 (KR) 30-2016-0002371

(51) **LOC (11) Cl.** **21-02**

(52) **U.S. Cl.**
USPC **D21/672**

(58) **Field of Classification Search**

USPC D21/672, 798, 678, 679

CPC A63B 21/0004; A63B 21/06

See application file for complete search history.

1. Portable fitness equipment

1.1 : Perspective

1.2 : Front

1.3 : Back

1.4 : Left

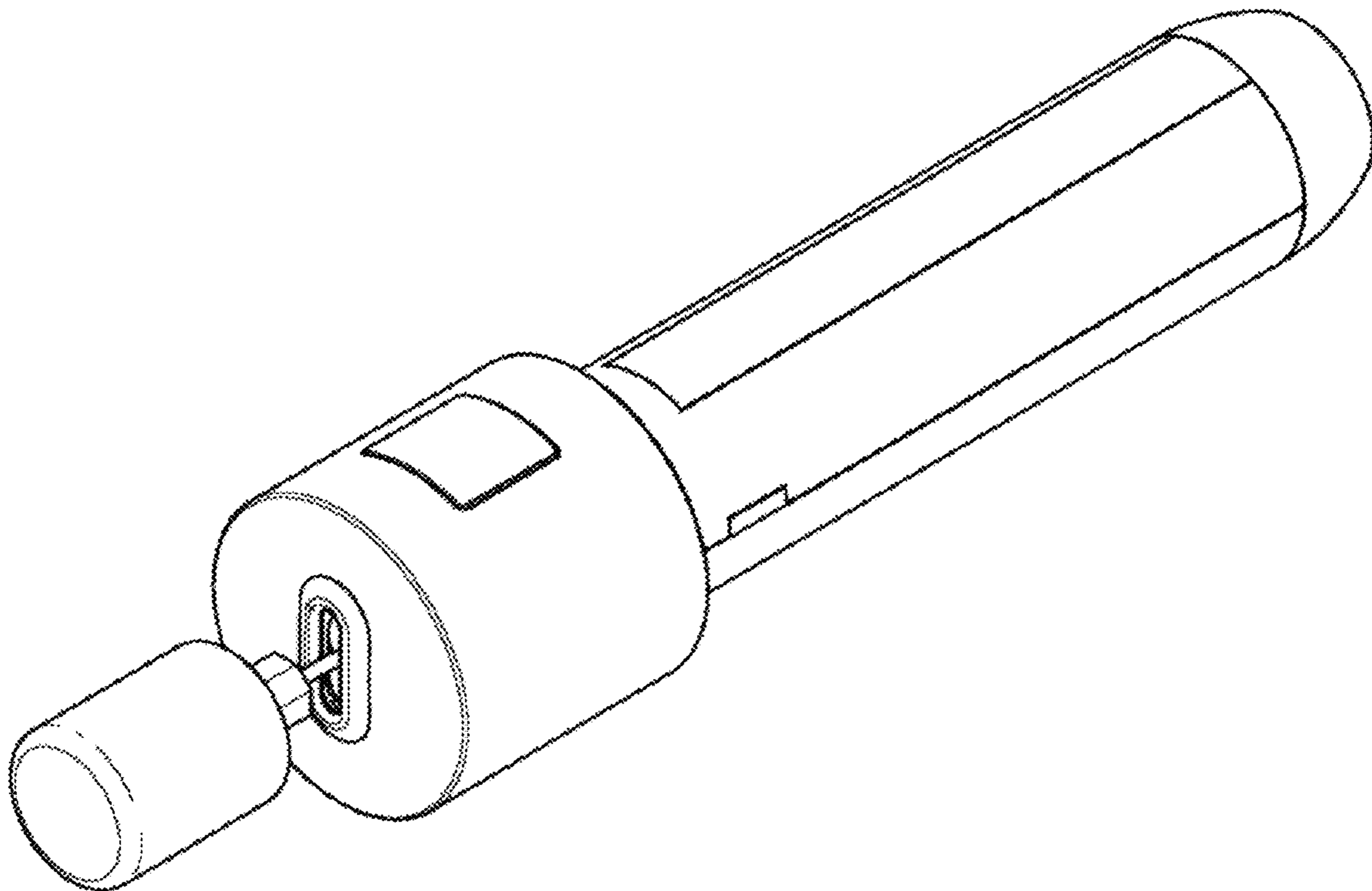
1.5 : Right

1.6 : Top

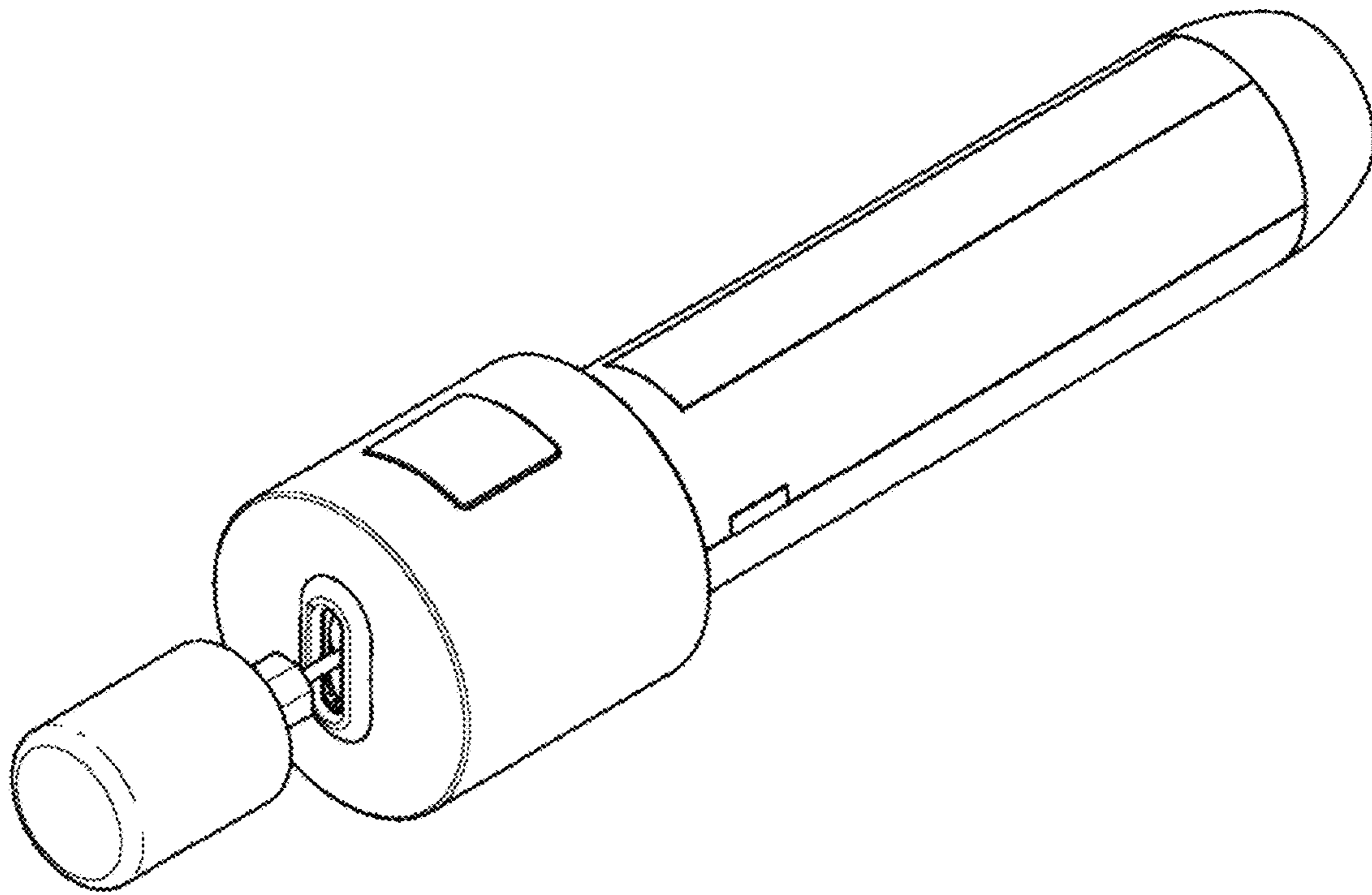
1.7 : Bottom

1.8 : Reference

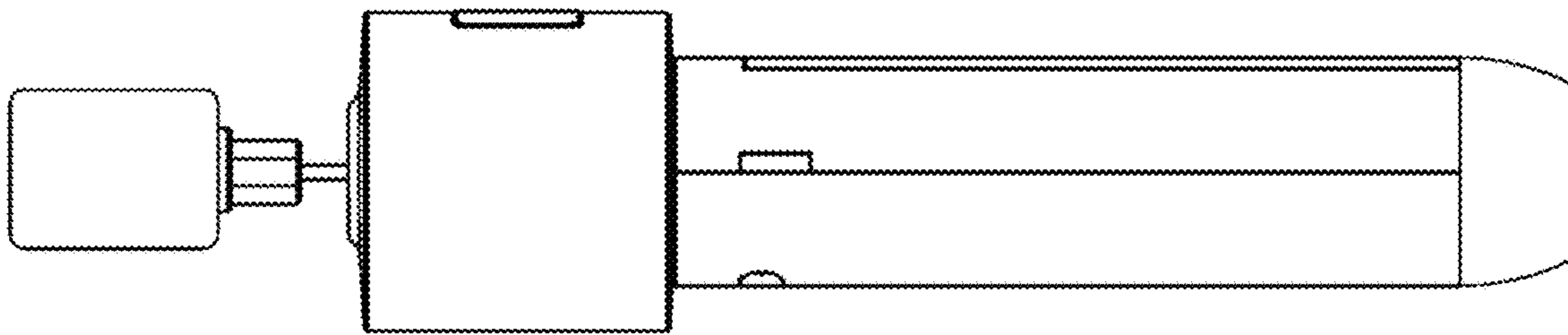
1 Claim, 8 Drawing Sheets



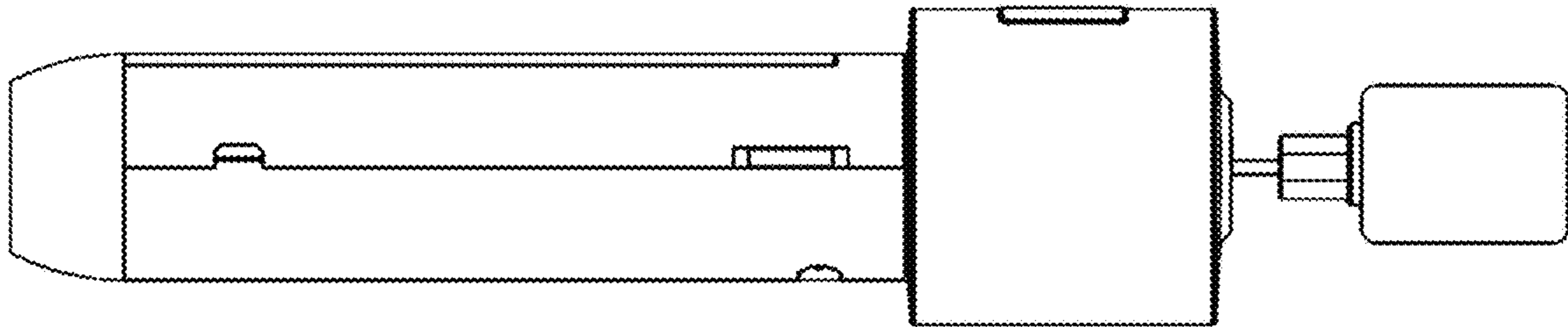
1.1



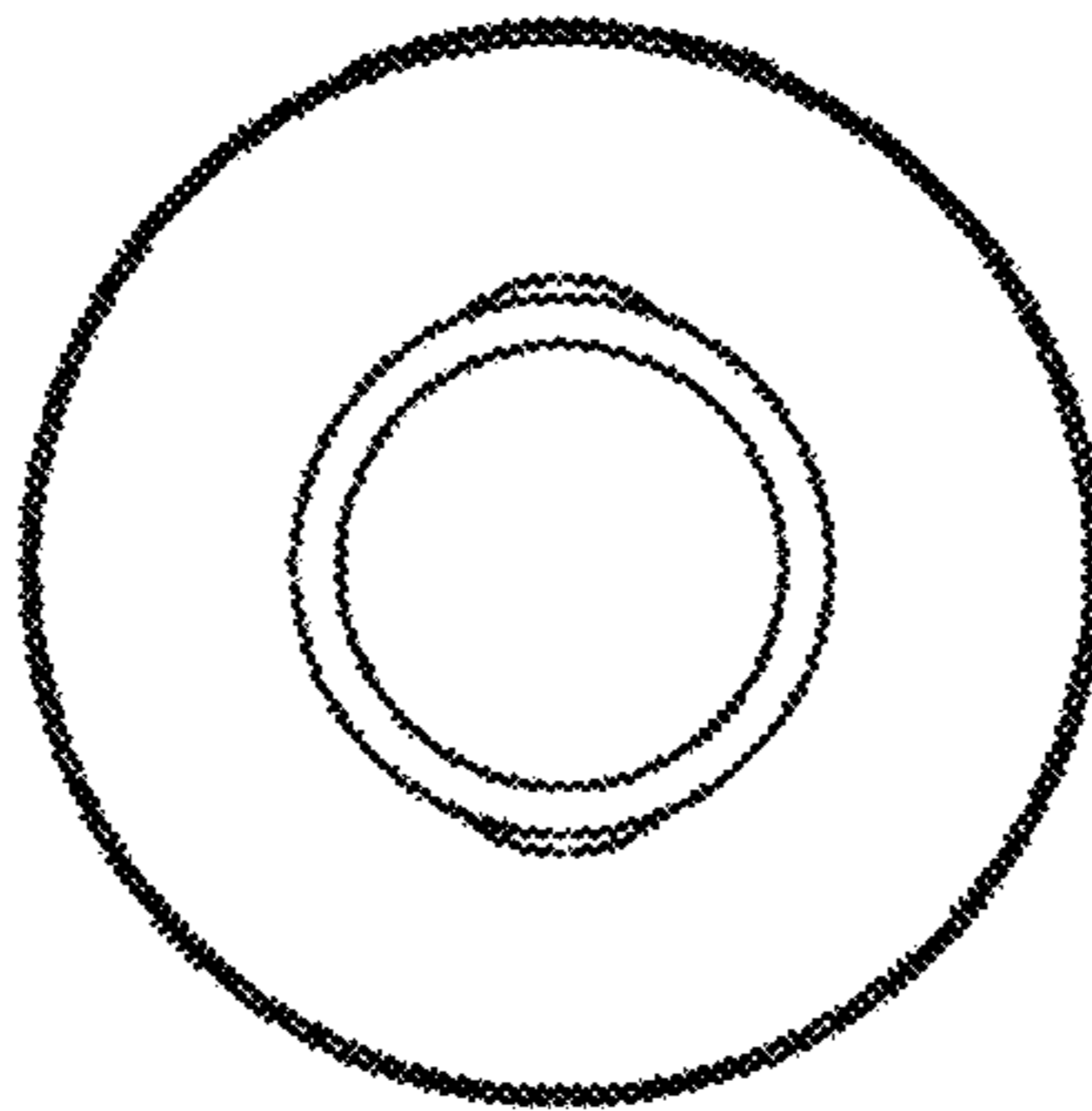
1.2



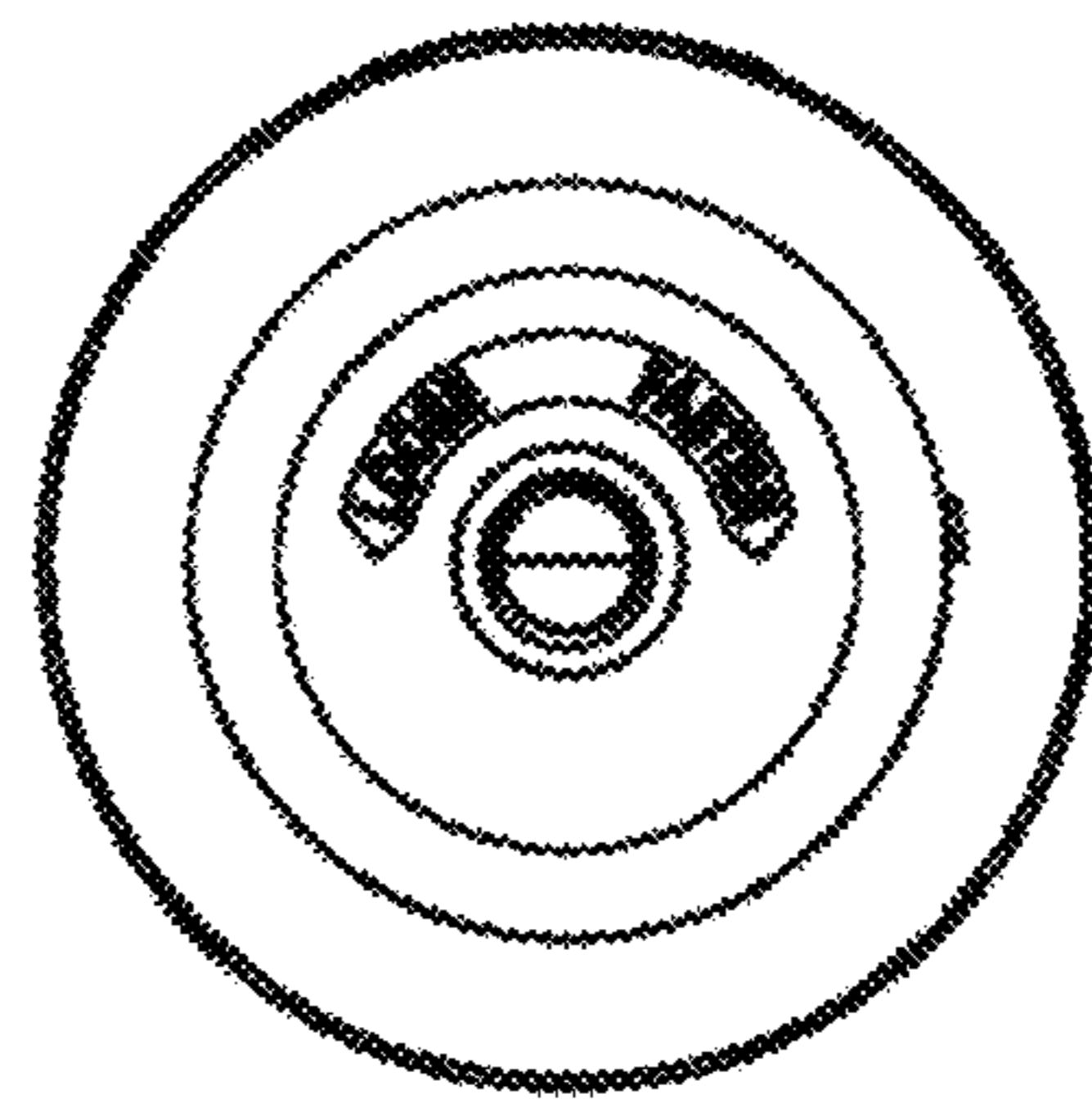
1.3



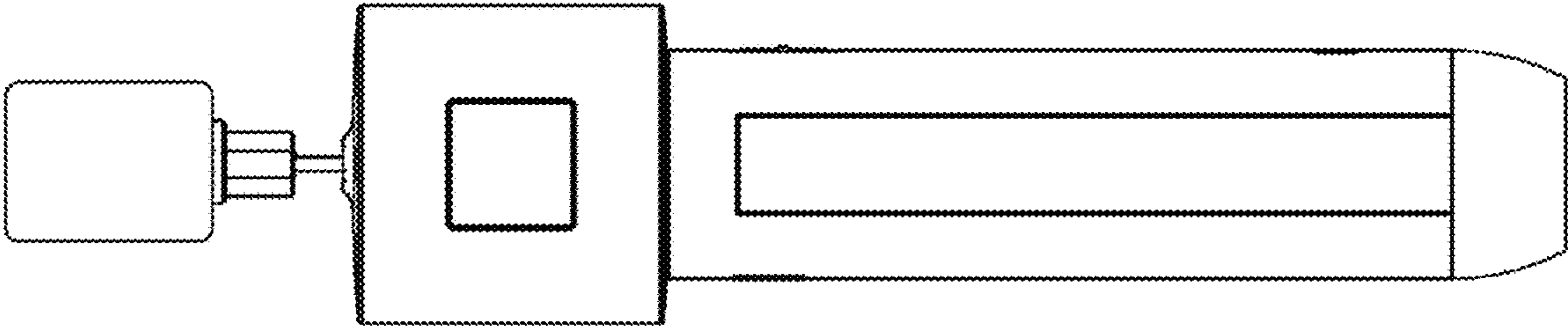
1.4



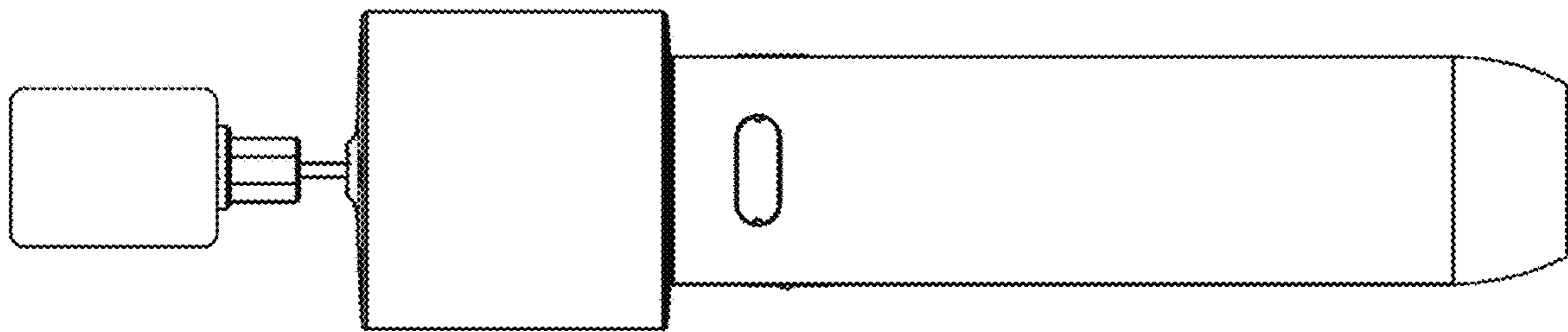
1.5



1.6



1.7



1.8

