



US00D806806S

(12) **United States Design Patent**  
**Chen**

(10) **Patent No.:** **US D806,806 S**  
(45) **Date of Patent:** **\*\* Jan. 2, 2018**

(54) **STACKABLE EXERCISE STEPPER**

D394,366 S \* 5/1998 Graebe ..... D6/601  
D513,980 S \* 1/2006 Connolly ..... D9/430  
D612,094 S \* 3/2010 Bellamah ..... D9/432

(71) Applicant: **Jenkins Asia Tech (Shanghai) Limited**, Shanghai (CN)

(Continued)

(72) Inventor: **Weng Kin Chen**, Shanghai (CN)

**OTHER PUBLICATIONS**

(73) Assignee: **Jenkins Asia Tech (Shanghai) Limited**, Shanghai (CN)

Buyithealthy "Gaiam Yoga Essentials Block—Purple", <http://buyithealthy.com/i-19728775-gaiam-yoga-essentials-block-purple.html>. Aug. 30, 2017. shown in p. 1, Item # 19728775 (Year: 2017).\*

(\*\*) Term: **15 Years**

(Continued)

(21) Appl. No.: **29/580,894**

*Primary Examiner* — Cynthia Ramirez

(22) Filed: **Oct. 13, 2016**

*Assistant Examiner* — Michael Maharajh

(51) **LOC (11) Cl.** ..... **21-02**

(74) *Attorney, Agent, or Firm* — Levine Bagade Han LLP

(52) **U.S. Cl.**  
USPC ..... **D21/671**

(57) **CLAIM**

(58) **Field of Classification Search**  
USPC ..... 297/423.1, 423.39, 461, 462; 482/121, 482/140, 142, 148, 23, 26, 51, 52, 79, 80; D21/398, 483, 491, 506, 662, 671, 686, D21/694; D25/102, 112, 113, 119; D6/328, 329, 334, 342, 349, 350, 355, D6/395, 596, 597, 601, 605, 606, 616; D34/38; D14/240, 388, 371; D9/414, D9/422, 430, 435, 432, 456; D24/101, D24/102, 103, 104; D99/17, 18, 20, 24; D10/50; D28/8.1; D3/294  
CPC ..... A47B 47/0091; A47B 81/00; A47B 81/06; A63B 23/0458; Y10T 70/5031; Y10T 70/554  
See application file for complete search history.

The ornamental design for a stackable exercise stepper, as shown and described.

**DESCRIPTION**

(56) **References Cited**

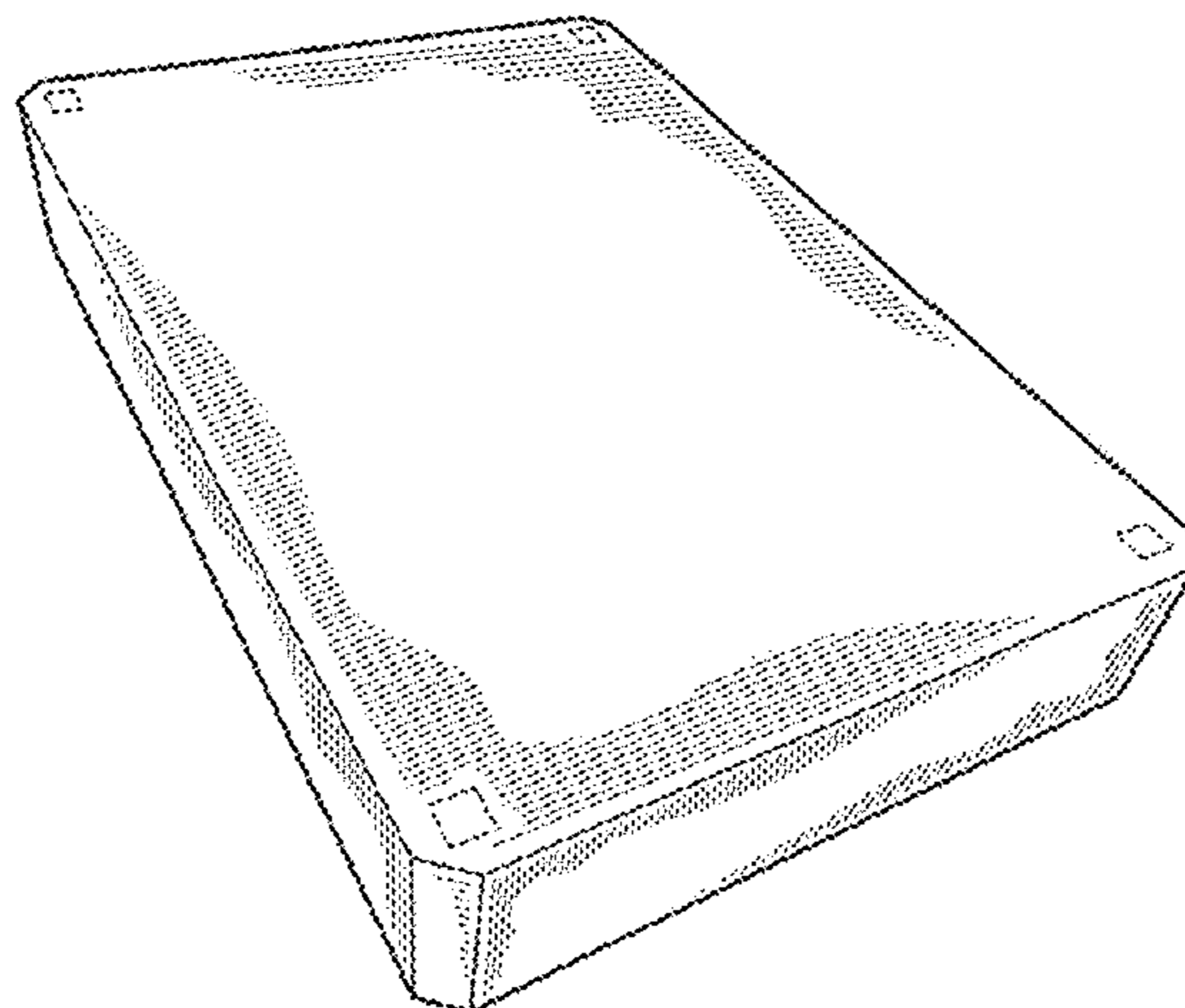
FIG. 1 is a perspective view of a stackable exercise stepper; FIG. 2 is another perspective view of the stackable exercise stepper shown in FIG. 1; FIG. 3 is a left side view of the stackable exercise stepper shown in FIG. 1; FIG. 4 is a right side view of the stackable exercise stepper shown in FIG. 1; FIG. 5 is a front view of the stackable exercise stepper shown in FIG. 1; FIG. 6 is a rear view of the stackable exercise stepper shown in FIG. 1; FIG. 7 is a top plan view of the stackable exercise stepper shown in FIG. 1; and, FIG. 8 is a bottom plan view of the stackable exercise stepper shown in FIG. 1.

**U.S. PATENT DOCUMENTS**

D210,709 S \* 4/1968 Douglas ..... D28/8.1  
D296,193 S \* 6/1988 Keeler ..... D9/435  
D330,057 S \* 10/1992 Saunders ..... D21/671  
D330,234 S \* 10/1992 Saunders ..... D21/671  
D388,651 S \* 1/1998 Graebe ..... D6/596  
D392,563 S \* 3/1998 Iwanaga ..... D9/422

The broken lines in the figures are for the purpose of illustrating portions of the stackable exercise stepper and form no part of the claimed design.

**1 Claim, 6 Drawing Sheets**



(56)

References Cited

U.S. PATENT DOCUMENTS

D687,432 S *	8/2013	Duan	.....	D14/341
D703,977 S *	5/2014	Roberts	.....	D6/601
D713,175 S *	9/2014	Roberts	.....	D6/601
D738,755 S *	9/2015	Druce	.....	D10/50
D762,772 S *	8/2016	Tsuruoka	.....	D14/371
D777,265 S *	1/2017	Marcil	.....	D21/491
D786,073 S *	5/2017	Hutcheson, Jr.	.....	D9/456
D788,462 S *	6/2017	Zhu	.....	D3/294
D788,769 S *	6/2017	Park	.....	D14/341
D795,248 S *	8/2017	Satzger	.....	D14/341

OTHER PUBLICATIONS

Williamssonoma “Zebrawood Chamfered Box, Small, Brown”, [https://www.williams-sonoma.com/products/zebrawood-chamfered-box-small/?catalogId=61&sku=8161346&cm\\_ven=PLA&cm\\_cat=Google&cm\\_pla=Decor%20%3E%20Boxes&kwid=productads-adid%5e45527542183-device%5ec-plaid%5e83089980583-sku%5e8161346-adType%5ePLA&gclid=CjwKCAjw87PNBRBAEiwA0XAlr\\_5vfpWNmVyfjWv0\\_I0Qow8NVmmUMgYp6pwlEqsjl8yaqh4uW3eEOhoCKdMQAvD\\_BwE](https://www.williams-sonoma.com/products/zebrawood-chamfered-box-small/?catalogId=61&sku=8161346&cm_ven=PLA&cm_cat=Google&cm_pla=Decor%20%3E%20Boxes&kwid=productads-adid%5e45527542183-device%5ec-plaid%5e83089980583-sku%5e8161346-adType%5ePLA&gclid=CjwKCAjw87PNBRBAEiwA0XAlr_5vfpWNmVyfjWv0_I0Qow8NVmmUMgYp6pwlEqsjl8yaqh4uW3eEOhoCKdMQAvD_BwE). Sep. 5, 2017. Item. 9179-68. (Year: 2017).\*

Lukse “Solid Aluminium, black anodized Raspberry B+ case”, <http://lukse.lt/uzrasai/2014-08-solid-aluminium-black-anodized-raspberry-b-case/>. Aug. 28, 2014. shown in p. 1, Item # LP0225.\*  
 1stdibs “George III Scottish Silver Hidden Compartment Snuff Box”, [https://www.1stdibs.com/furniture/decorative-objects/boxes/george-iii-scottish-silver-hidden-compartment-snuff-box/id-f\\_782429/](https://www.1stdibs.com/furniture/decorative-objects/boxes/george-iii-scottish-silver-hidden-compartment-snuff-box/id-f_782429/). Aug. 30, 2017. shown in p. 1, Item # LU9728782429.\*  
 Consumercrafts “Unfinished Wood Plaques for Crafts: 12x9 inch Octagon Plaque”, [https://www.consumercrafts.com/store/details/catalog/basics-wood-plaques-and-signs/9179-68?gclid=CjwKCAjw87PNBRBAEiwA0XAlr\\_5vfpWNmVyfjWv0\\_I0Qow8NVmmUMgYp6pwlEqsjl8yaqh4uW3eEOhoCKdMQAvD\\_BwE](https://www.consumercrafts.com/store/details/catalog/basics-wood-plaques-and-signs/9179-68?gclid=CjwKCAjw87PNBRBAEiwA0XAlr_5vfpWNmVyfjWv0_I0Qow8NVmmUMgYp6pwlEqsjl8yaqh4uW3eEOhoCKdMQAvD_BwE). Sep. 5, 2017. Item. 9179-68. (Year: 2017).\*

Ebay “Federal Mahogany Tilt Top Candle Stand With Octagonal Top on Tiny Bun Feet”, <http://www.ebay.com/itm/161711358445?rmvSB=true>. 1800-1899. shown in p. 1, Ebay Item # 161711358445 (Year: 1899).\*

Factory Direct Craft “Rectangular Octagon Paper Mache Box”, [https://factorydirectcraft.com/catalog/products/1531\\_2530\\_676-49684-rectangular\\_octagon\\_paper\\_mache\\_box.html?ccset=US&gclid=Cj0KCQjwxdPNBRDmARIsAAw-TUn0XgtBu\\_wcZnDUoRxuIgwkYtroF5jR54HOnqEYDutWgjvASYSfzPAaAnJBEALw\\_wcB](https://factorydirectcraft.com/catalog/products/1531_2530_676-49684-rectangular_octagon_paper_mache_box.html?ccset=US&gclid=Cj0KCQjwxdPNBRDmARIsAAw-TUn0XgtBu_wcZnDUoRxuIgwkYtroF5jR54HOnqEYDutWgjvASYSfzPAaAnJBEALw_wcB). Sep. 13, 2017. (Year: 2017).\*

\* cited by examiner

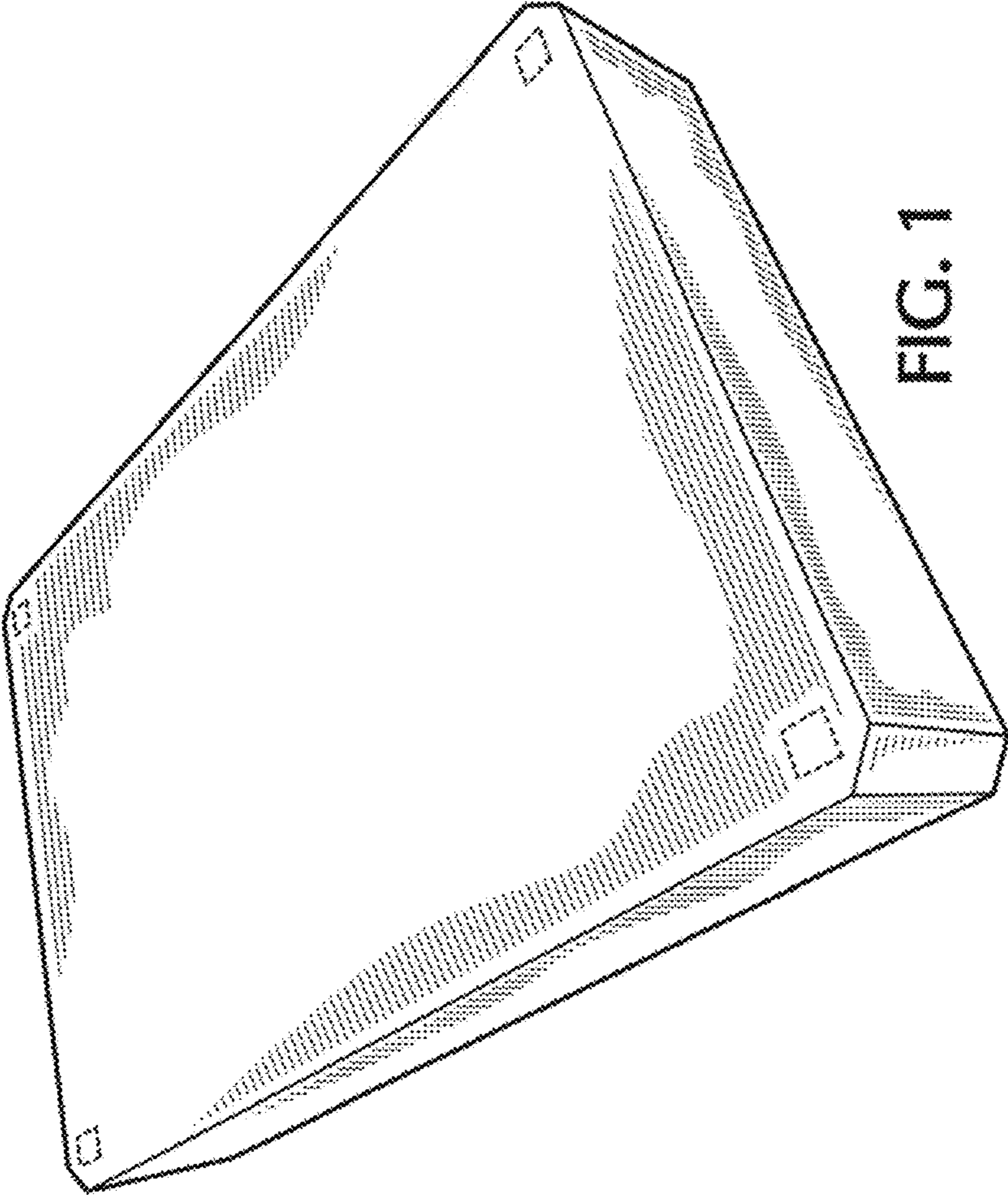


FIG. 1



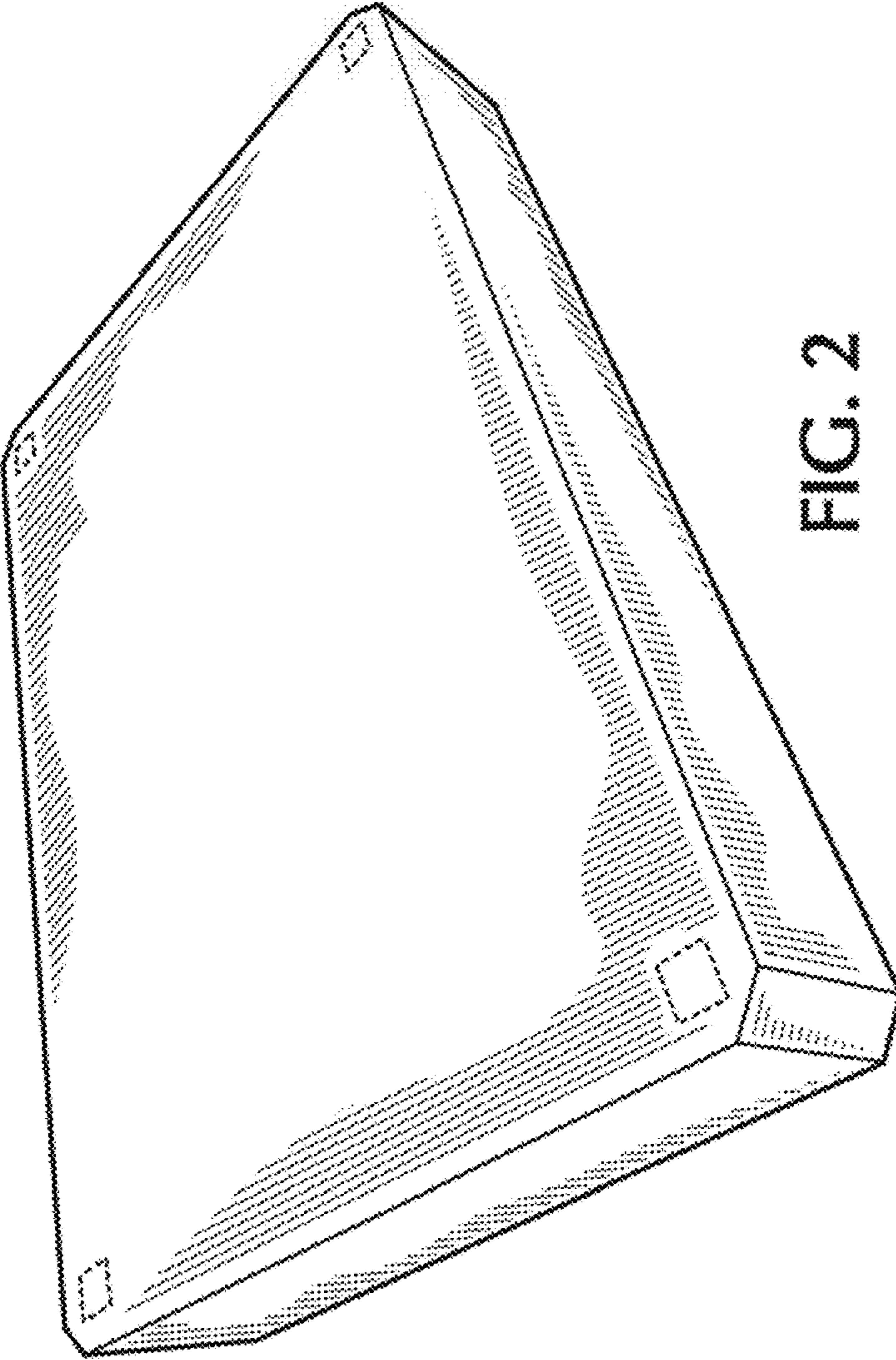


FIG. 2

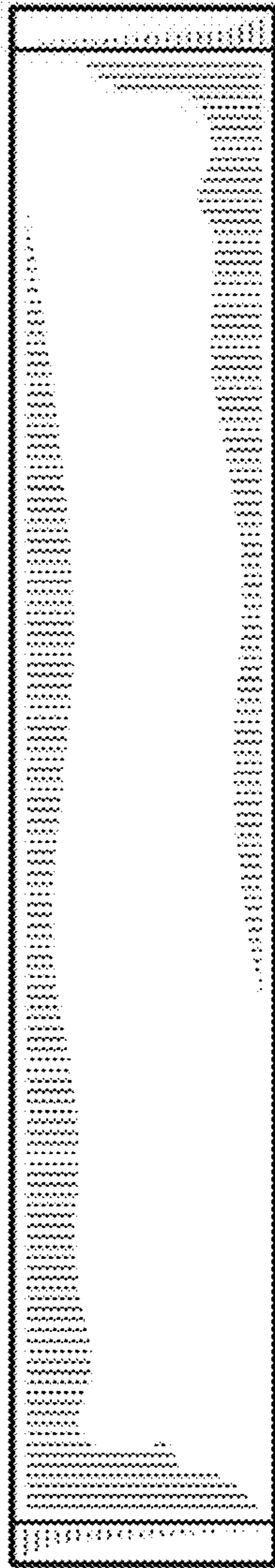


FIG. 3

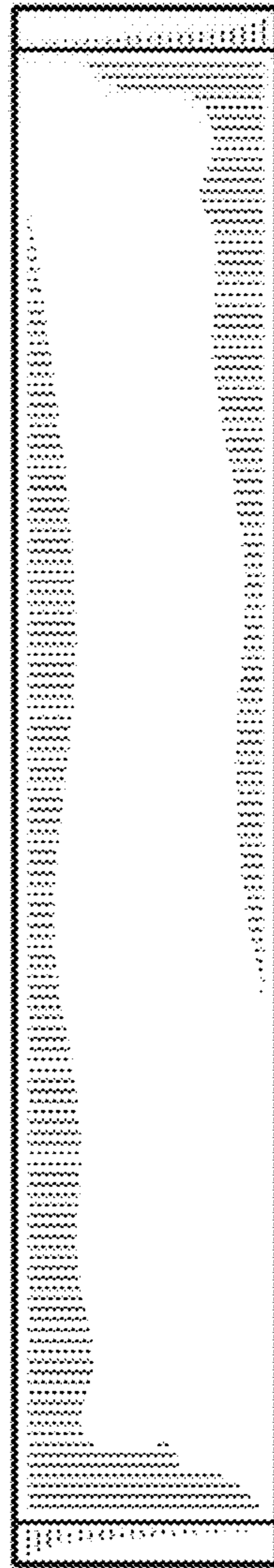


FIG. 4



FIG. 5



FIG. 6



FIG. 7

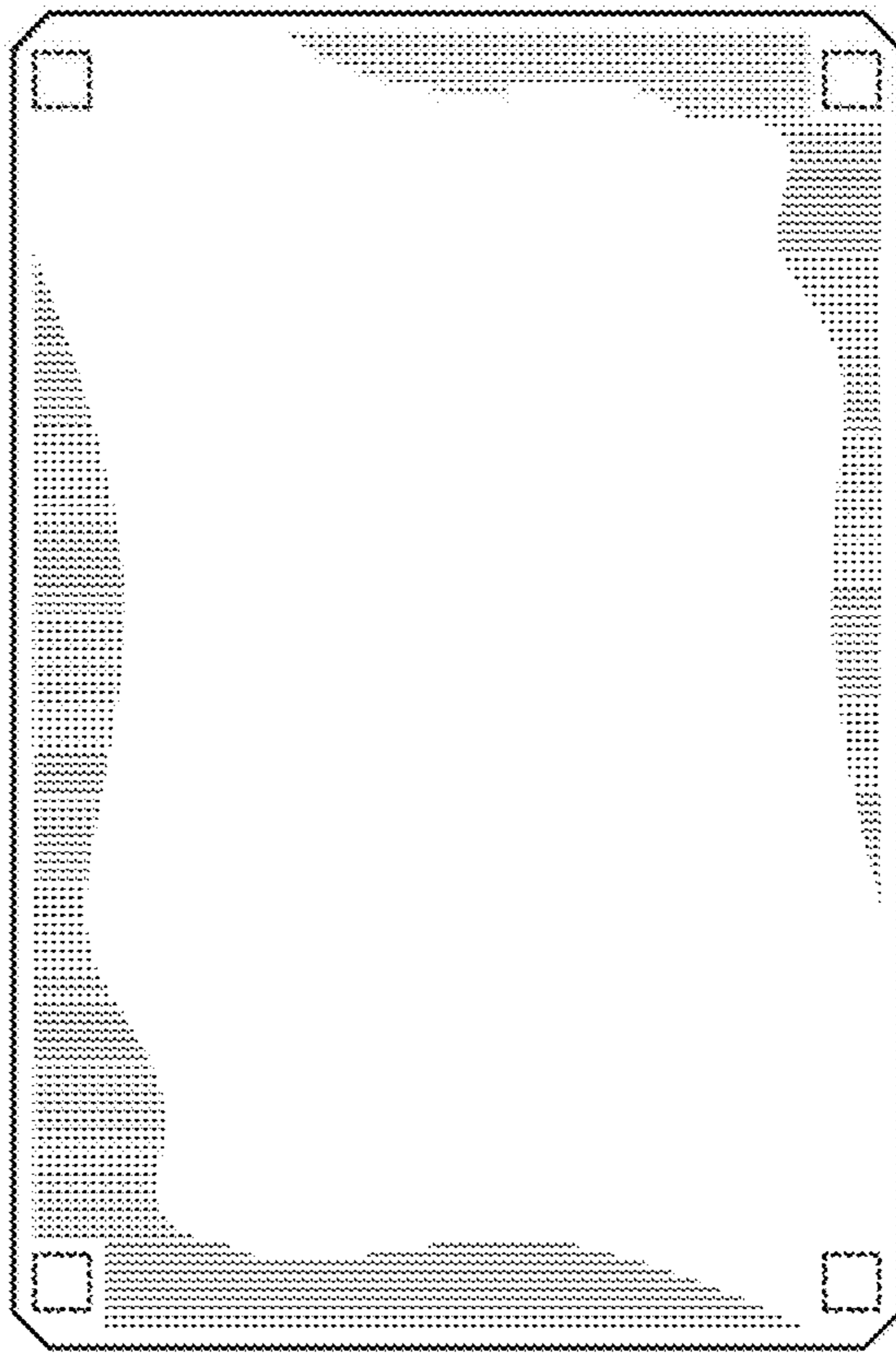


FIG. 8