



US00D806804S

(12) **United States Design Patent**
Simonds et al.

(10) **Patent No.:** **US D806,804 S**
(45) **Date of Patent:** **** Jan. 2, 2018**

- (54) **8 STUD CUBE WITH HOLE**
- (71) Applicant: **Chiswick Innovations Limited**,
London (GB)
- (72) Inventors: **Colin Duncan Simonds**, London (GB);
James Campbell Duncan Simonds,
London (GB)
- (73) Assignee: **CHISWICK INNOVATIONS LIMITED**, London (GB)
- (**) Term: **15 Years**
- (21) Appl. No.: **29/581,140**
- (22) Filed: **Oct. 17, 2016**
- (51) **LOC (11) Cl.** **21-01**
- (52) **U.S. Cl.**
USPC **D21/499**
- (58) **Field of Classification Search**
USPC D21/333, 373, 386, 389, 404, 468, 470,
D21/471, 475, 484-505; D3/304, 314;
D24/101; D9/640
CPC A63H 33/04; A63H 33/06; A63H 33/062;
A63H 33/08; A63H 33/088; A63F 9/12;
A63F 9/1224
See application file for complete search history.

- D413,636 S * 9/1999 Laserna Fernandez D21/499
- D512,108 S * 11/2005 Lin D21/499
- D702,774 S * 4/2014 Wizenberg D21/499
- D741,414 S * 10/2015 Lu D21/499
- D760,324 S * 6/2016 Akimoto D21/499
- D765,189 S * 8/2016 Kiribuchi D21/499
- D776,205 S * 1/2017 Facey D21/499

* cited by examiner

Primary Examiner — Cynthia M Chin

(74) *Attorney, Agent, or Firm* — Jacobson Holman,
PLLC.

(57) **CLAIM**

We claim the ornamental design for an 8 stud cube with hole,
as shown and described.

DESCRIPTION

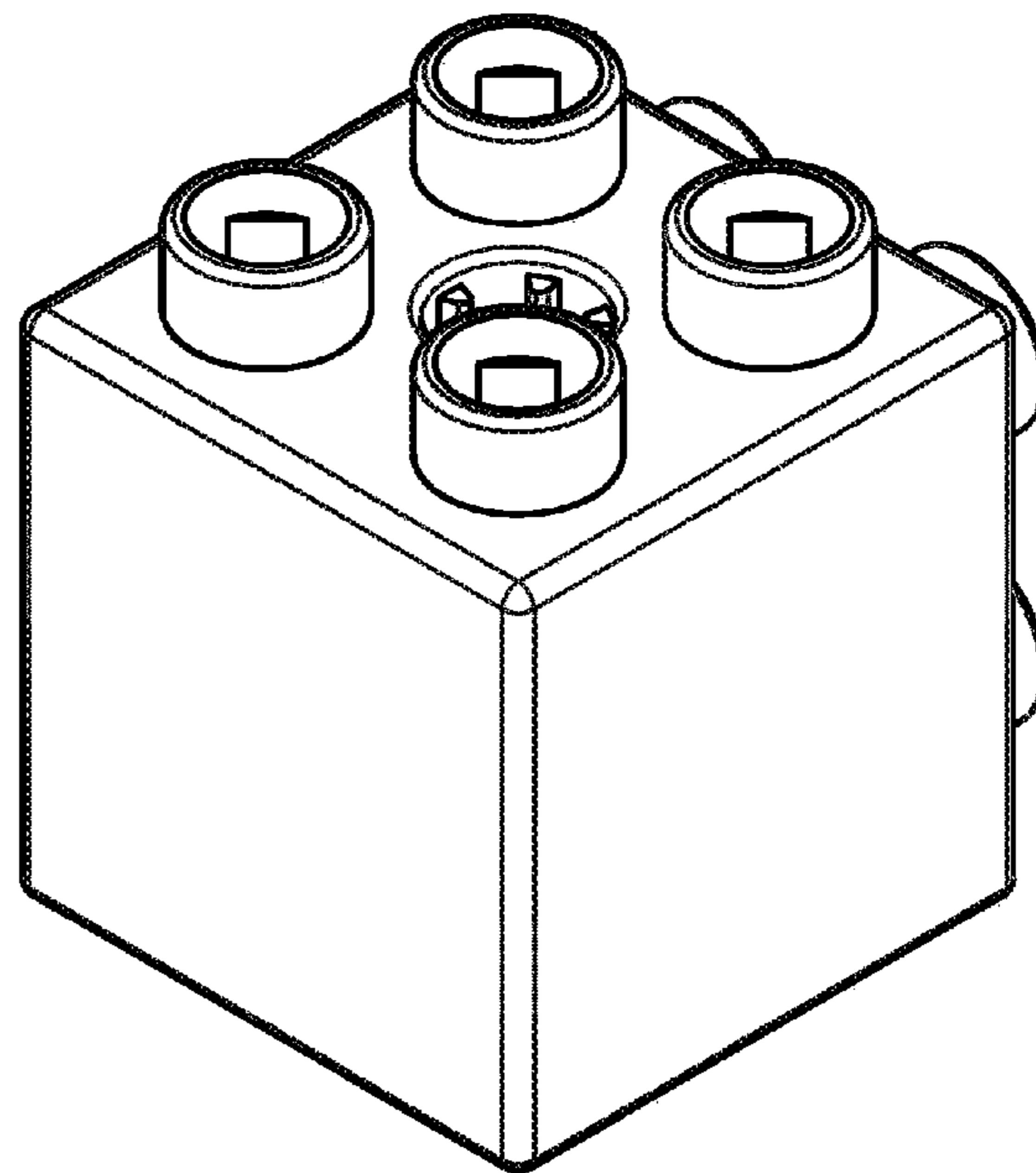
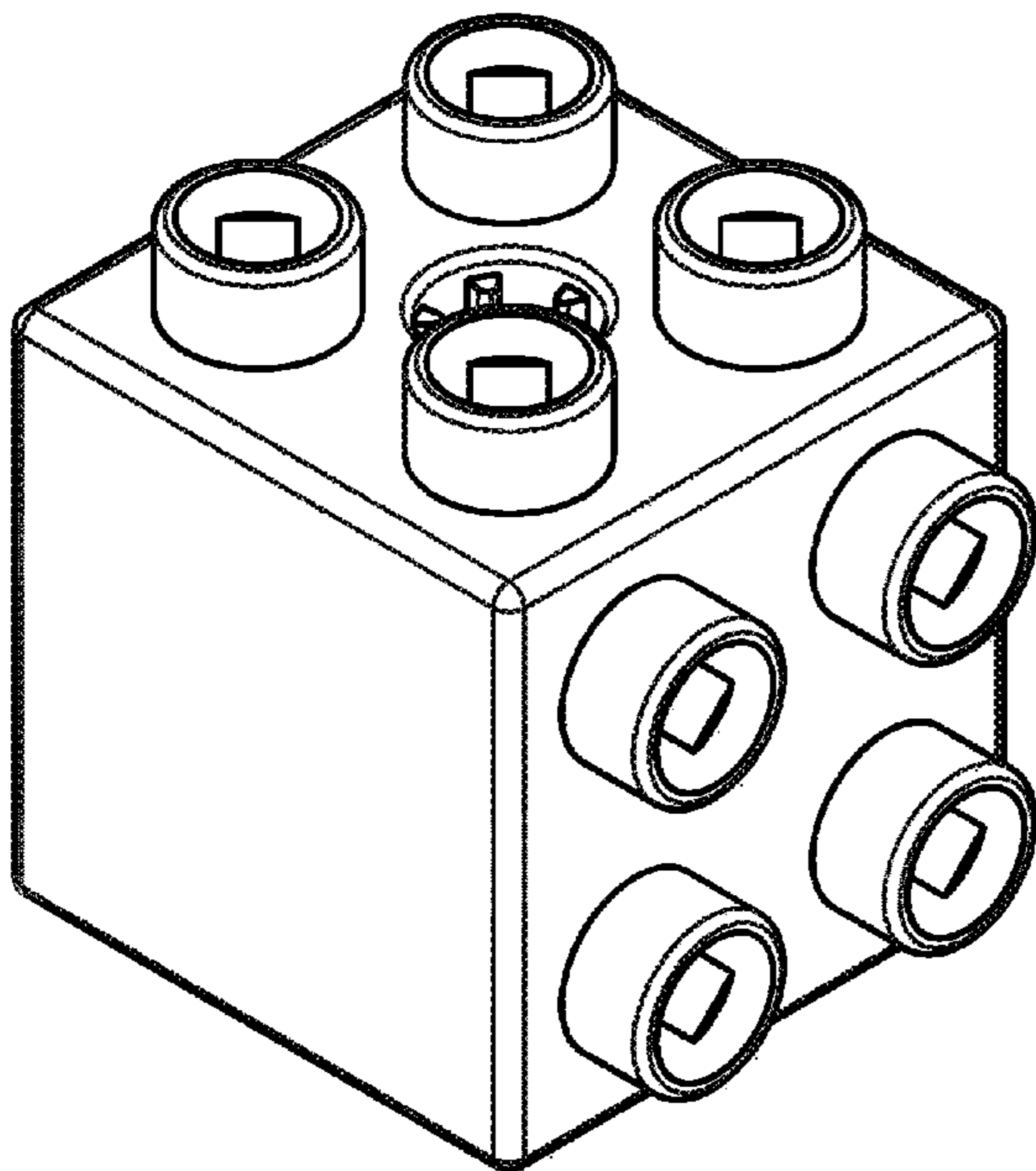
FIG. 1 is a top front perspective of an 8 stud cube with hole;
FIG. 2 is a top front perspective thereof turned 90 degrees;
FIG. 3 is a bottom perspective view thereof;
FIG. 4 is a bottom perspective view thereof turned 90
degrees;
FIG. 5 is a top plan view thereof;
FIG. 6 is a bottom view thereof;
FIG. 7 is side elevational view thereof;
FIG. 8 is a side elevational view thereof turned 90 degrees;
FIG. 9 is a side elevational view thereof turned 180 degrees;
and,
FIG. 10 is a side elevational view thereof turned 90 degrees.

(56) **References Cited**

U.S. PATENT DOCUMENTS

- D296,342 S * 6/1988 Knudsen D21/499
- D343,427 S * 1/1994 Sher 446/128

1 Claim, 7 Drawing Sheets



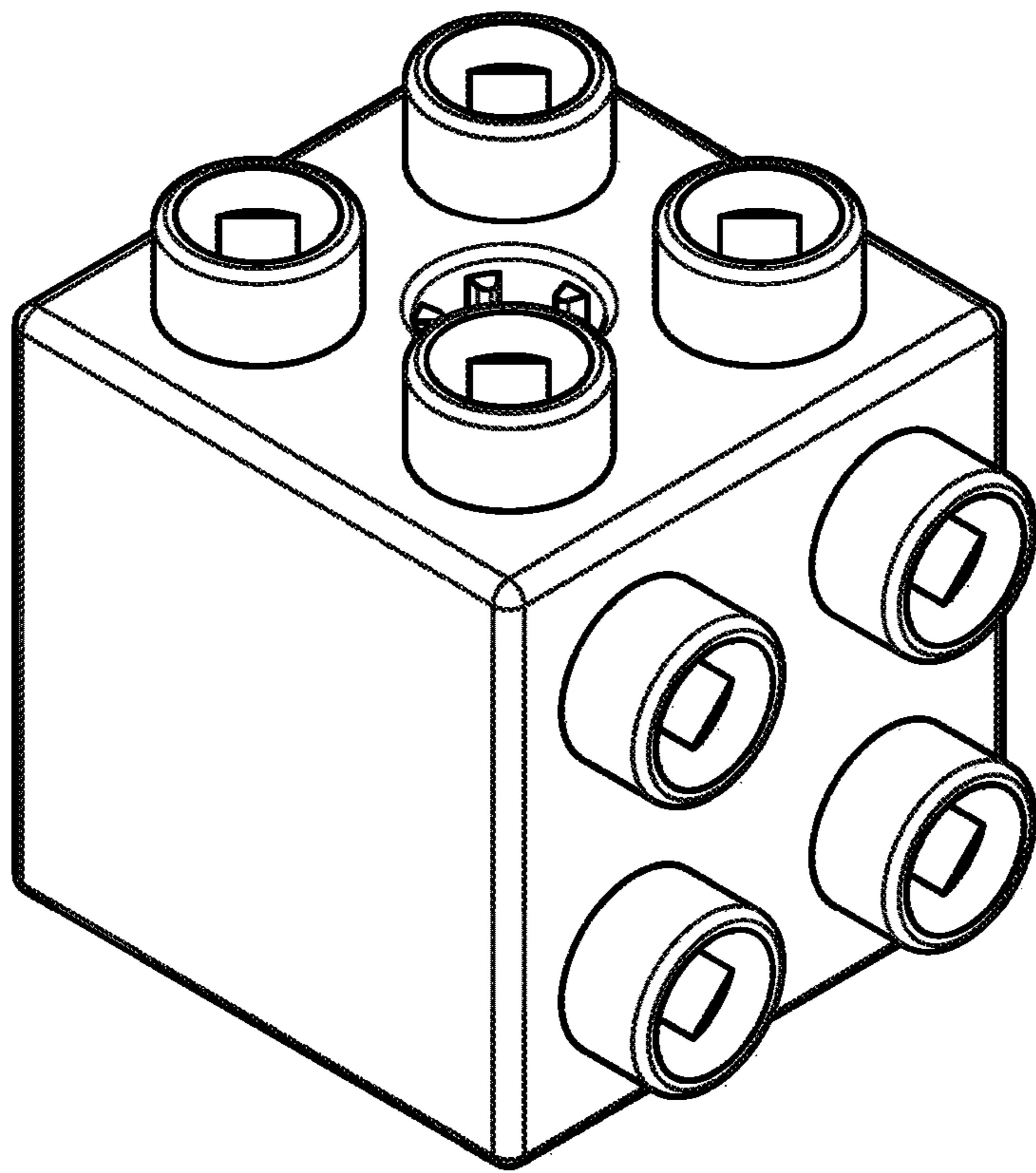


FIG. 1

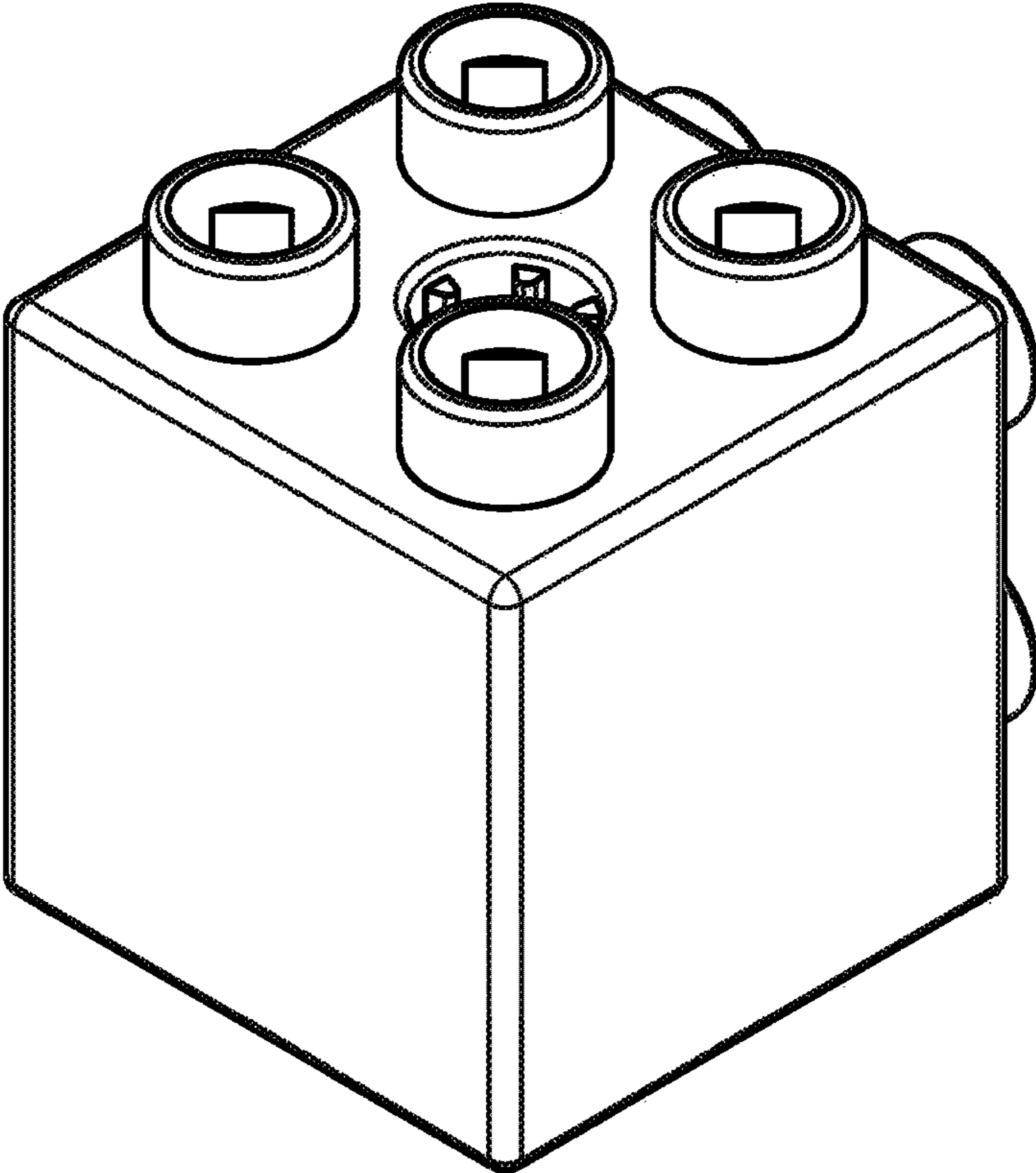


FIG. 2

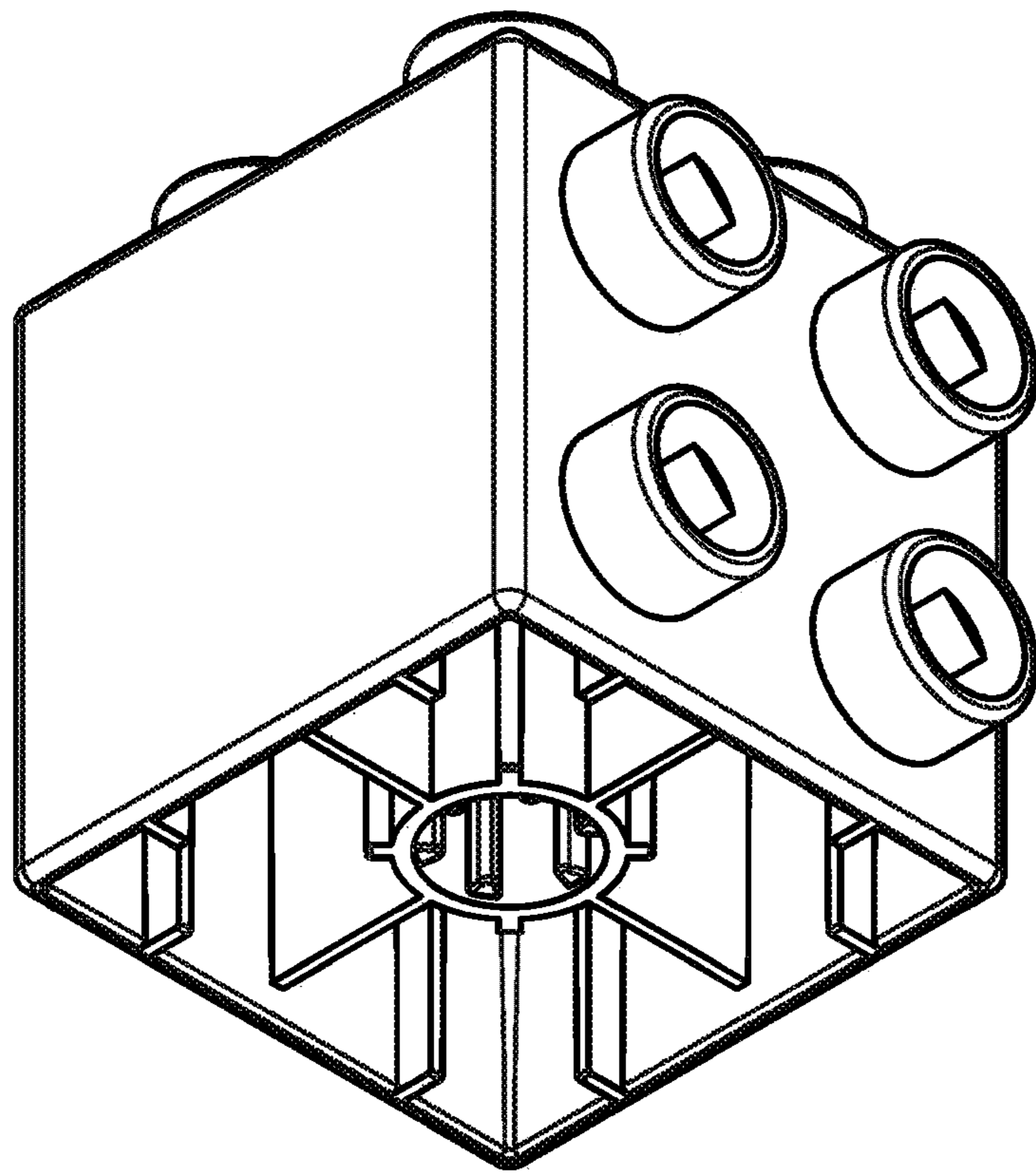


FIG. 3

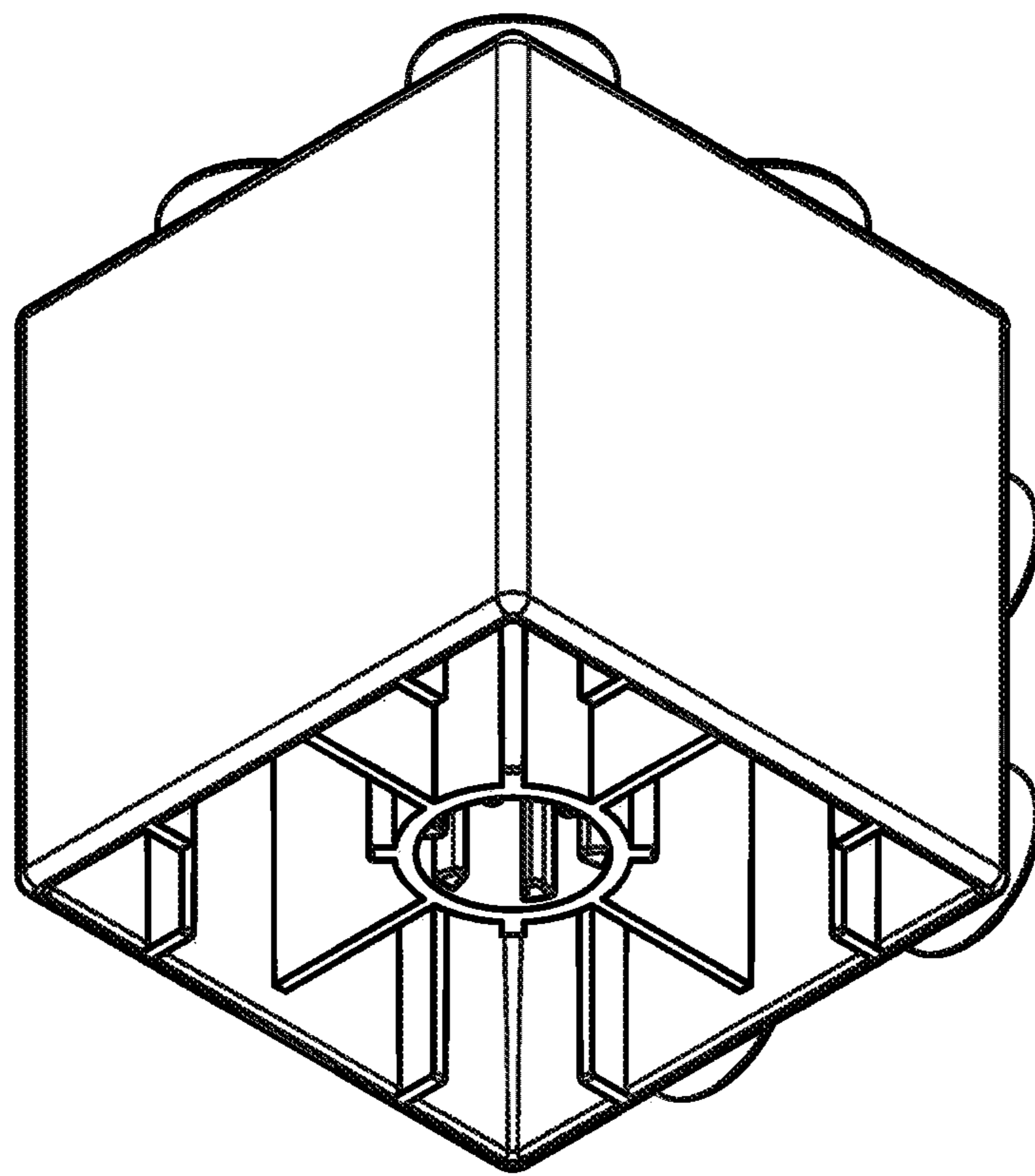


FIG. 4

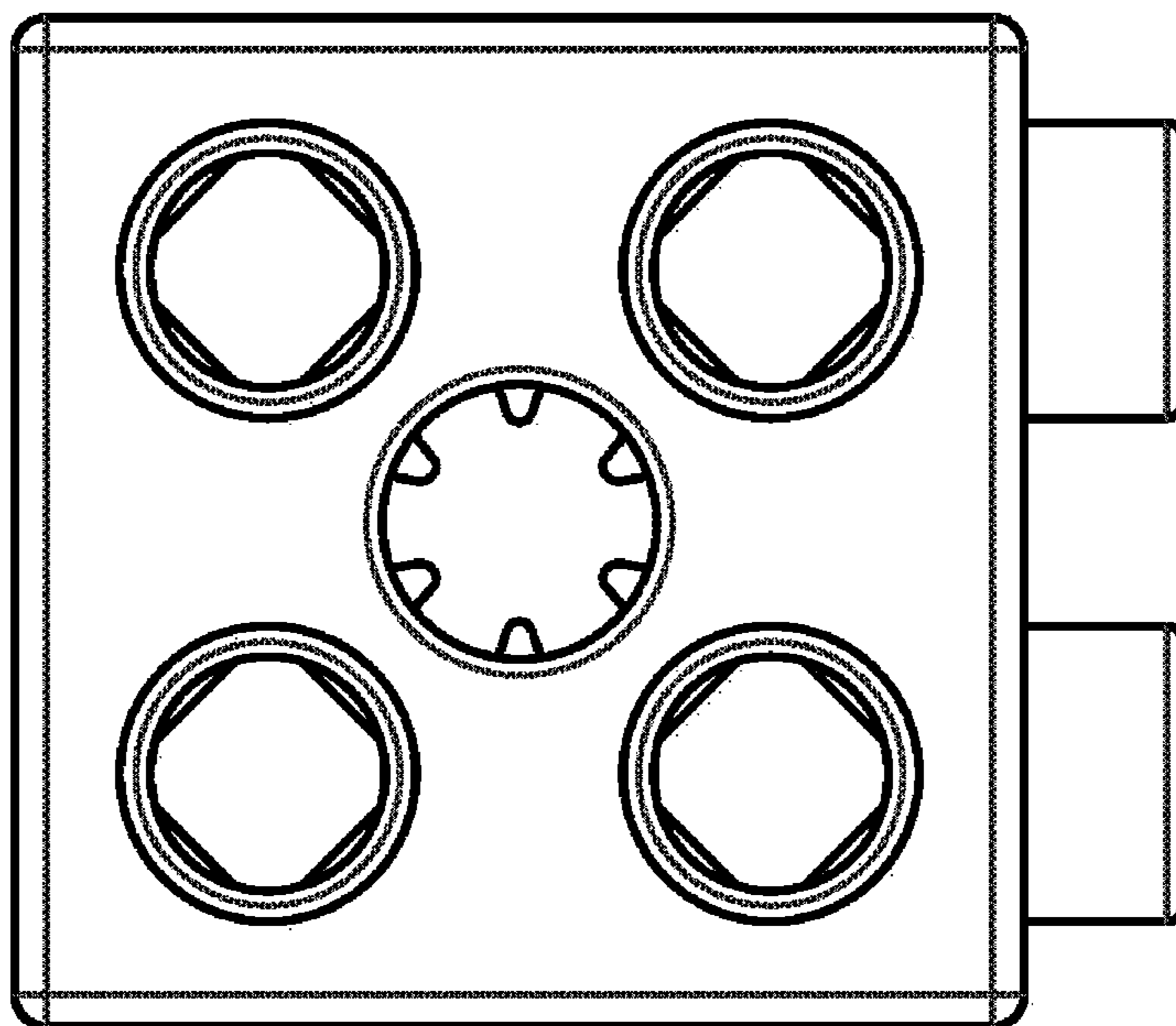


FIG. 5

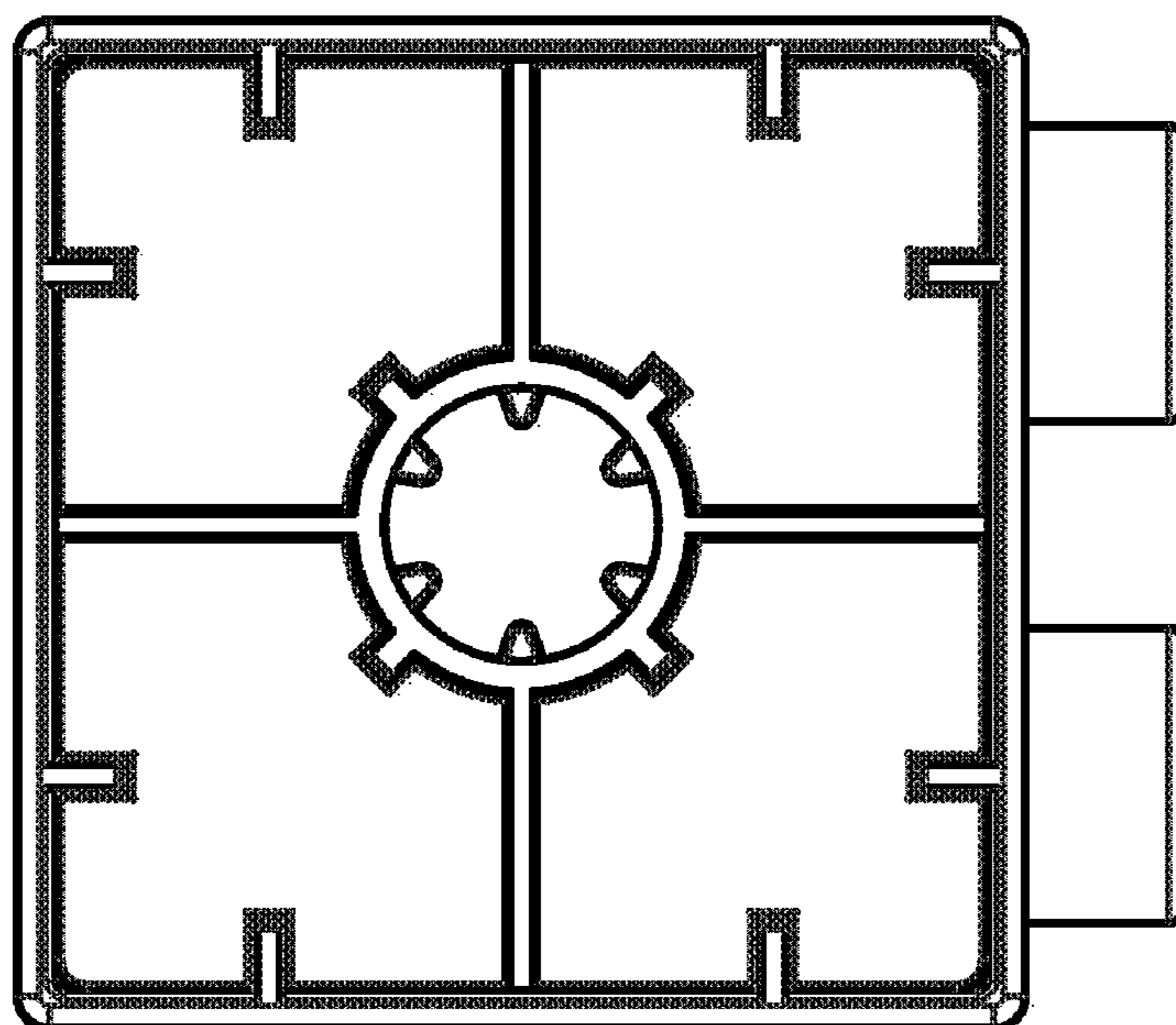


FIG. 6

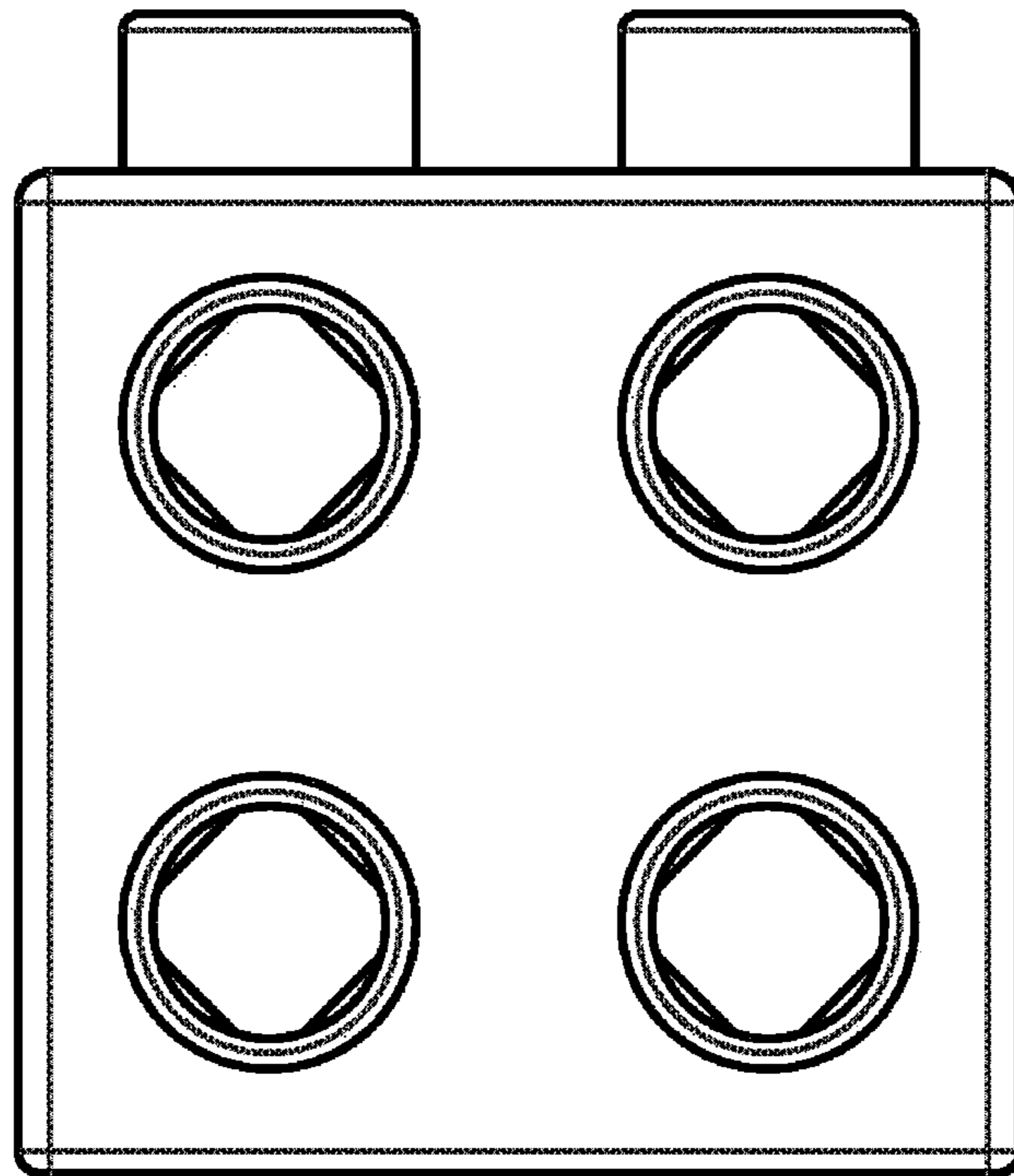


FIG. 7

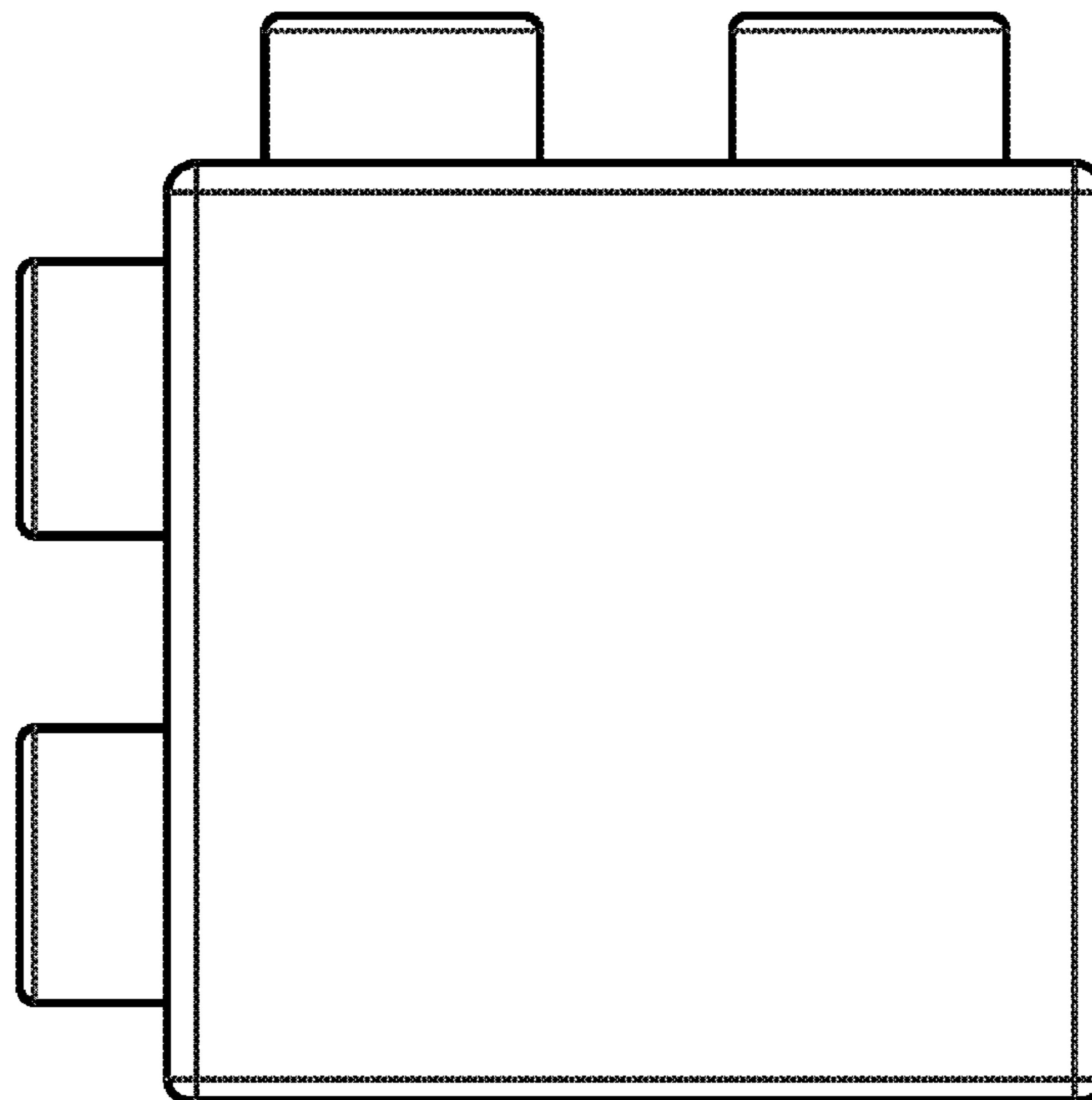


FIG. 8

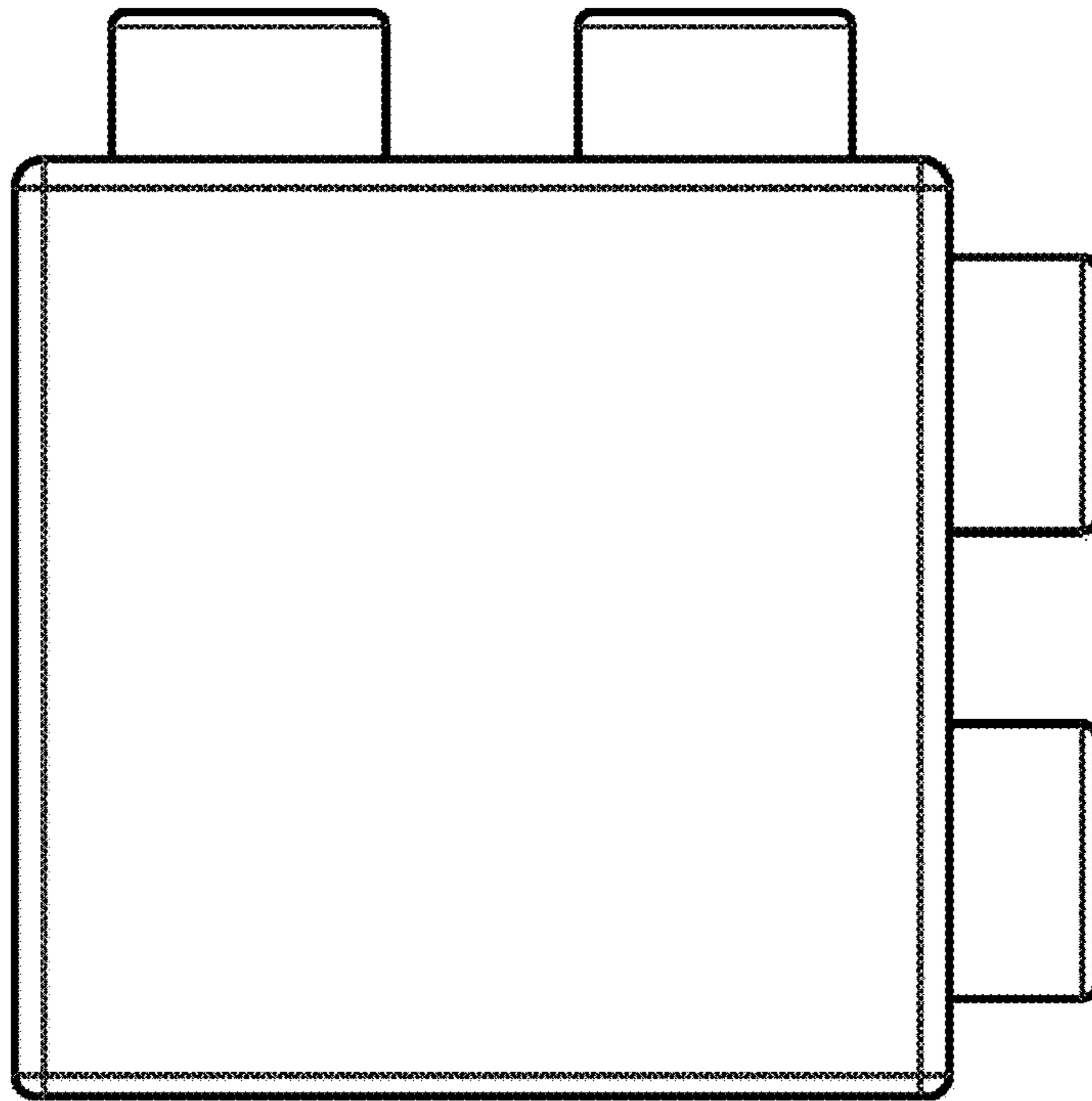


FIG. 9

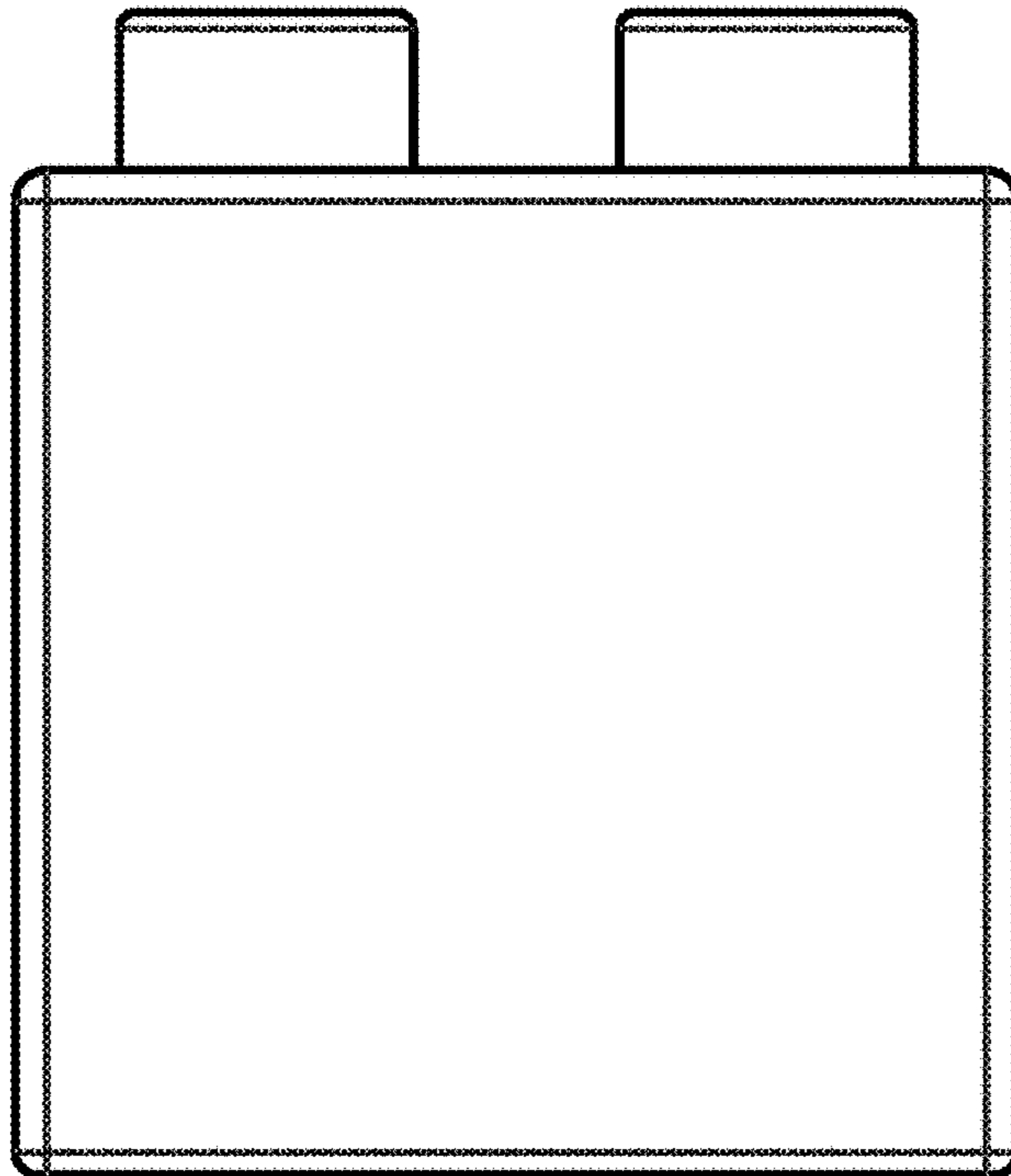


FIG. 10