



US00D806803S

(12) **United States Design Patent** (10) **Patent No.:** **US D806,803 S**  
**Gould et al.** (45) **Date of Patent:** **\*\* Jan. 2, 2018**

(54) **AIRCRAFT BODY**

(71) Applicants: **Bret Gould**, Worthington, OH (US);  
**Christopher Hawker**, Columbus, OH (US); **Christos Ragais**, New Albany, OH (US)

(72) Inventors: **Bret Gould**, Worthington, OH (US);  
**Christopher Hawker**, Columbus, OH (US); **Christos Ragais**, New Albany, OH (US)

(\*\*) Term: **15 Years**

(21) Appl. No.: **29/541,772**

(22) Filed: **Oct. 7, 2015**

(51) **LOC (11) Cl.** ..... **21-01**

(52) **U.S. Cl.**  
USPC ..... **D21/449**

(58) **Field of Classification Search**  
USPC ..... D12/16.1, 323, 325, 326, 327, 328, 329,  
D12/331-343, 345; D21/301, 436, 438,  
D21/439, 440, 441, 443, 444, 445-453;  
D30/160

CPC ..... A63H 33/18; A63H 27/00; A63H 27/14;  
A63H 33/185; A63B 65/08

See application file for complete search history.

(56) **References Cited**

**U.S. PATENT DOCUMENTS**

D172,465 S *	6/1954	Del Mar	.....	D12/333
D187,352 S *	3/1960	Dryer	.....	D12/16.1
D187,353 S *	3/1960	Dryer	.....	D12/16.1
D220,588 S *	4/1971	Holmes	.....	D12/320
D240,437 S *	7/1976	Rizzo	.....	D21/447
D240,438 S *	7/1976	Rizzo	.....	D21/447
D240,440 S *	7/1976	Rizzo	.....	D21/447
D240,441 S *	7/1976	Rizzo	.....	D21/447
D257,997 S *	1/1981	Hoefl	.....	D21/449
D261,288 S *	10/1981	Hilko	.....	D21/449

D262,729 S *	1/1982	Barrett	.....	D21/449
D263,322 S *	3/1982	Godbout	.....	D21/449
D279,914 S *	7/1985	Solomon, Jr.	.....	D21/449
D307,161 S *	4/1990	Trantham	.....	D21/449
D347,032 S *	5/1994	Nieder	.....	D21/449
D354,994 S *	1/1995	Bender	.....	D21/445
D392,345 S *	3/1998	Burghardt	.....	D21/445
D410,503 S *	6/1999	Rosz	.....	D21/447
5,908,341 A *	6/1999	dasa	.....	A63H 27/00 446/61
D444,512 S *	7/2001	Miralles	.....	B64C 1/30 D21/447
D481,765 S *	11/2003	Solomon, Jr.	.....	D21/449
D482,076 S *	11/2003	Tabor	.....	D21/438

(Continued)

*Primary Examiner* — Robert M Spear

*Assistant Examiner* — Marissa J Cash

(74) *Attorney, Agent, or Firm* — Benesch Friedlander  
Coplan & Aronoff LLP; Benjamin E. Kern; Thomas Y.  
Kendrick

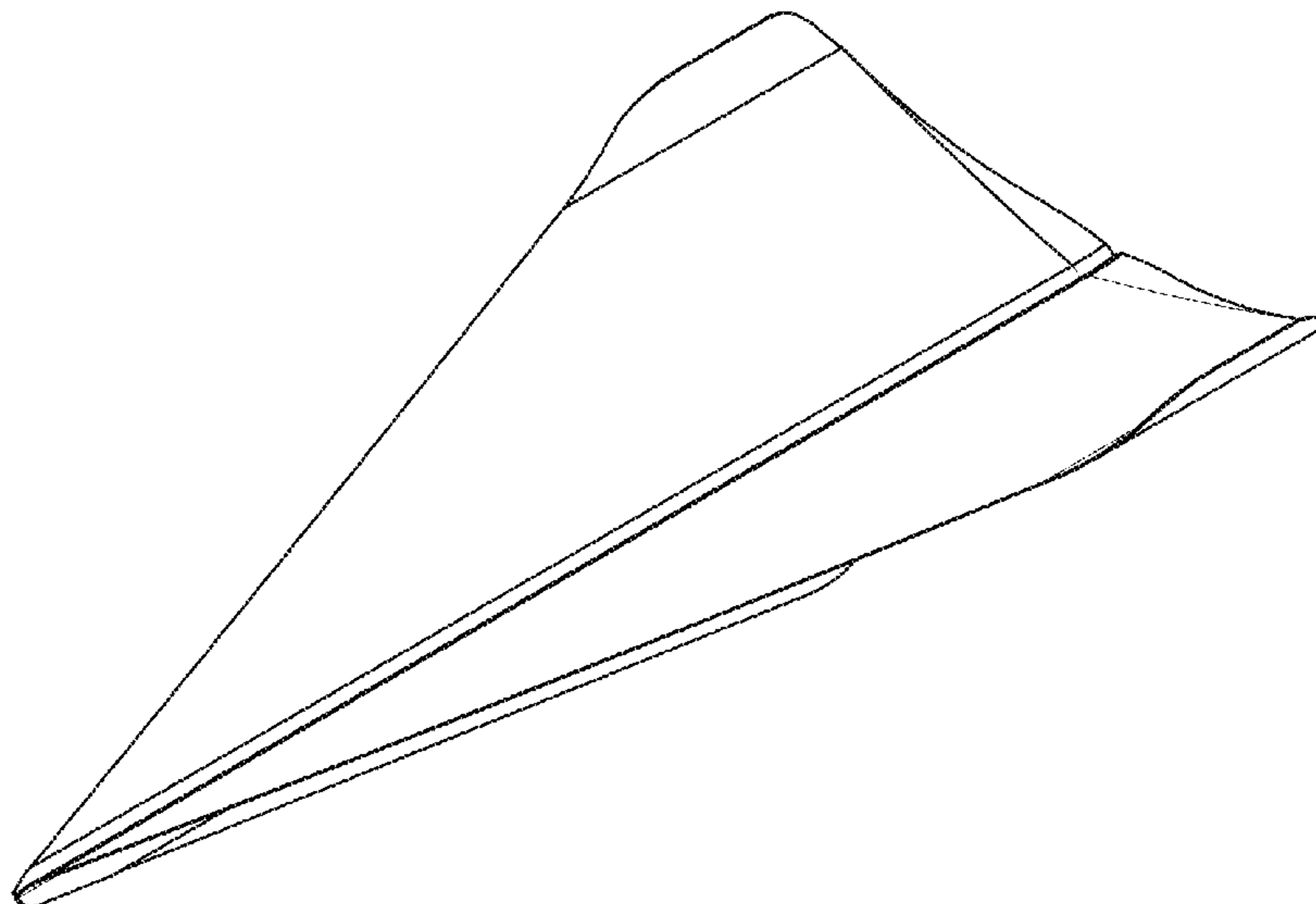
(57) **CLAIM**

The ornamental design for an aircraft body, as shown and described.

**DESCRIPTION**

FIG. 1 is a top, front, and left side perspective view of an aircraft body showing our new design;  
FIG. 2 is a top, rear, and right side perspective view thereof;  
FIG. 3 is a bottom, front, and right side perspective view thereof;  
FIG. 4 is a bottom, rear, and left side perspective view thereof;  
FIG. 5 is front elevational view thereof;  
FIG. 6 is a rear elevational view thereof;  
FIG. 7 is a right side elevational view thereof;  
FIG. 8 is a left side elevational view thereof;  
FIG. 9 is a top plan view thereof; and,  
FIG. 10 is a bottom plan view thereof.

**1 Claim, 5 Drawing Sheets**



(56)

**References Cited**

U.S. PATENT DOCUMENTS

D482,077	S *	11/2003	Solomon, Jr. ....	D21/449
D482,078	S *	11/2003	Solomon, Jr. ....	D21/449
D482,079	S *	11/2003	Solomon, Jr. ....	D21/449
D482,410	S *	11/2003	Solomon, Jr. ....	D21/449
D483,815	S *	12/2003	Solomon, Jr. ....	D21/449
D502,745	S *	3/2005	Tabor .....	D21/445
D506,229	S *	6/2005	Tabor .....	D21/445
D628,244	S *	11/2010	Fish .....	D21/447
D632,345	S *	2/2011	Yuen .....	D21/450
D641,430	S *	7/2011	Zealer .....	D21/449
D673,227	S *	12/2012	Robins .....	D21/453
D690,777	S *	10/2013	Lukasik .....	D21/449
8,702,467	B2 *	4/2014	Dorius .....	A63H 27/001 446/61
2014/0127010	A1 *	5/2014	Rose .....	F02K 1/46 415/208.1

\* cited by examiner

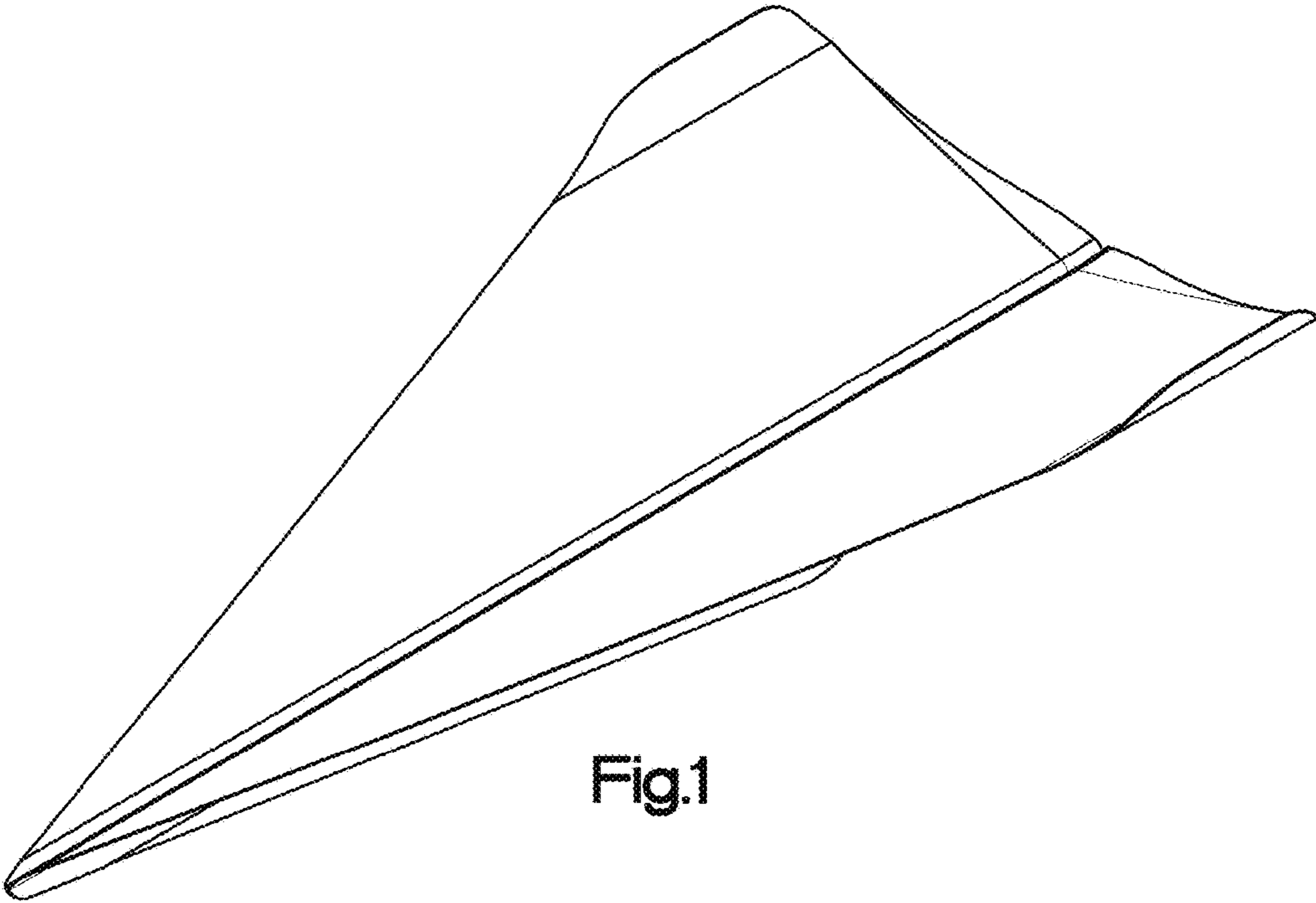


Fig.1

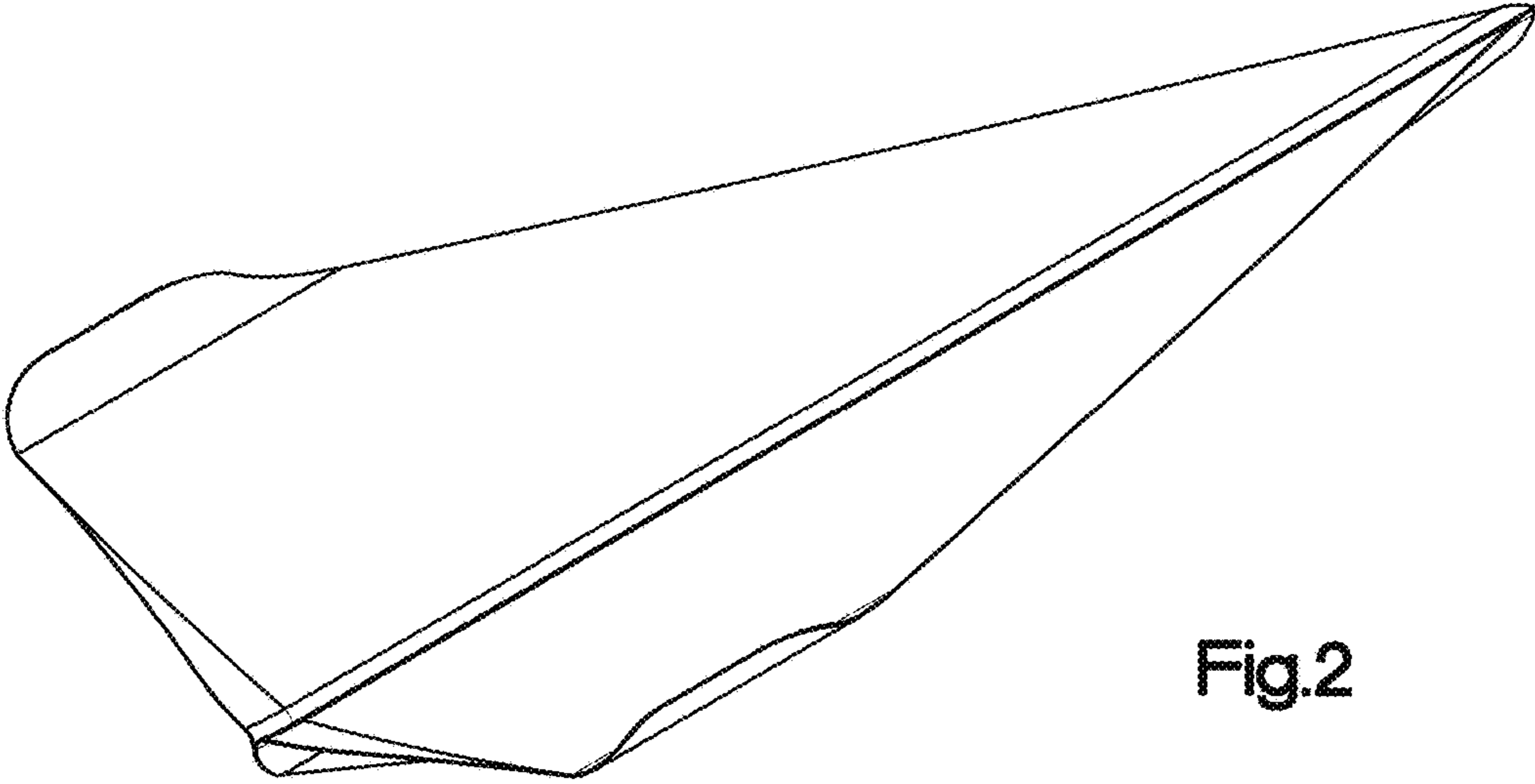


Fig.2

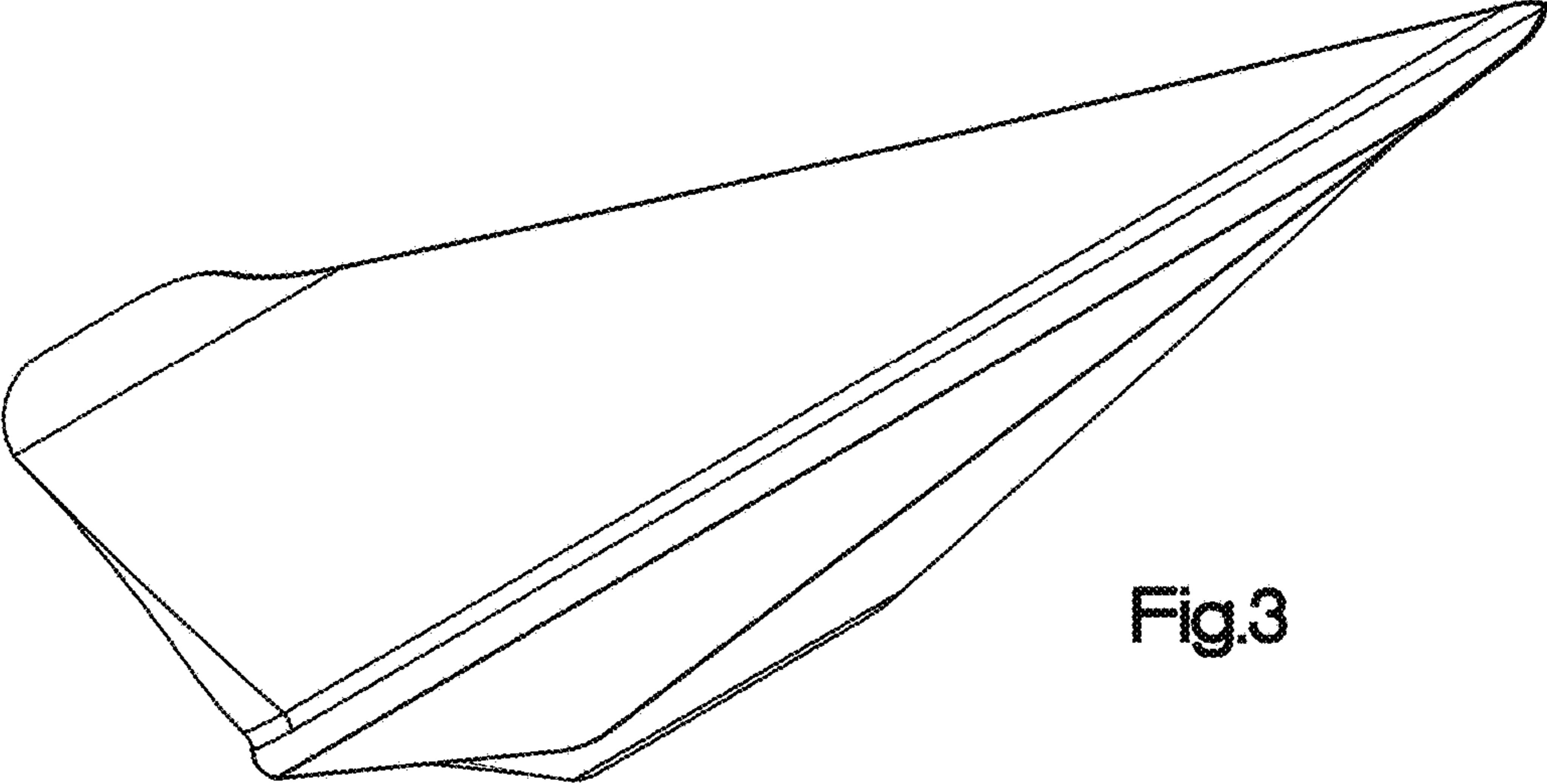


Fig.3

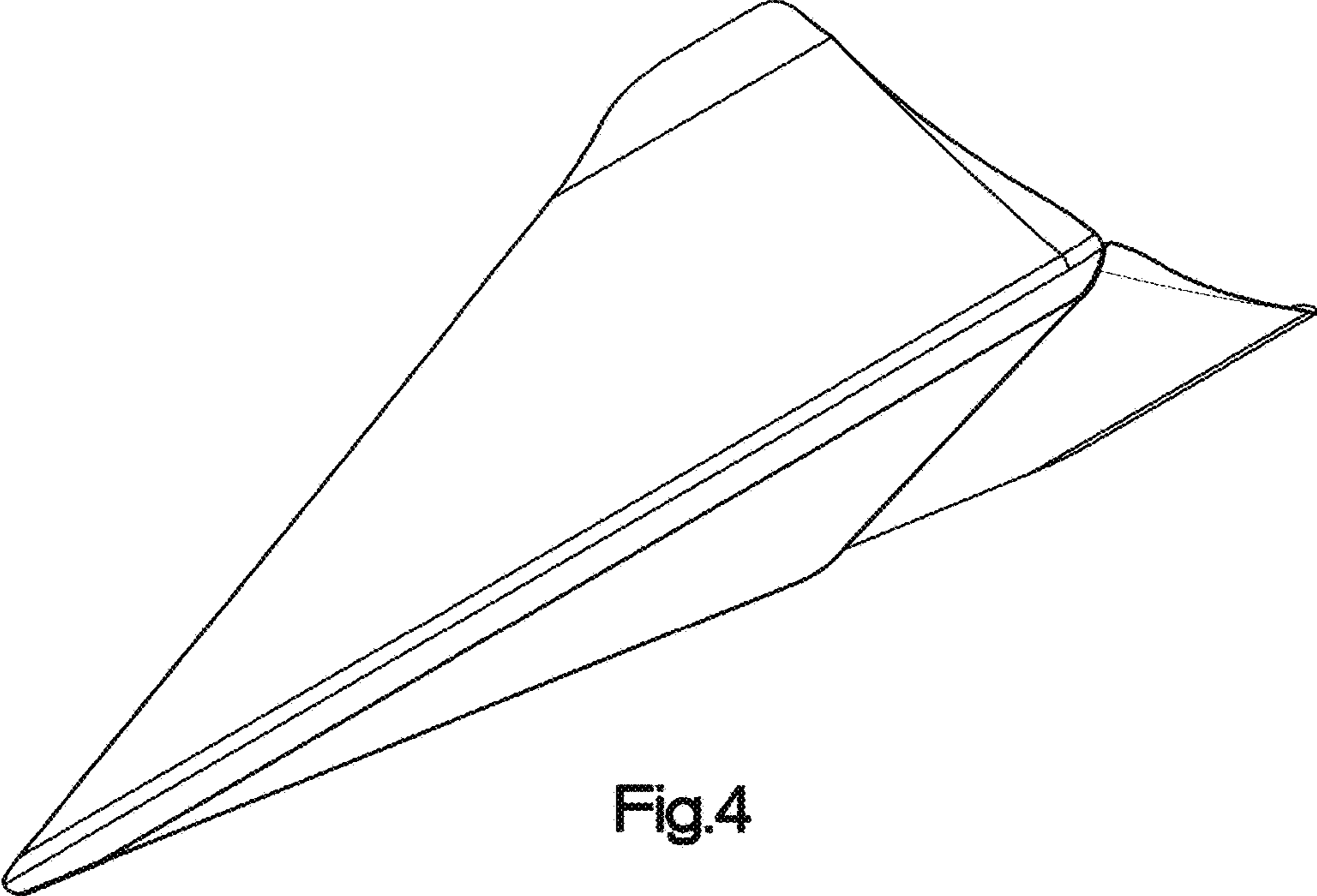


Fig.4

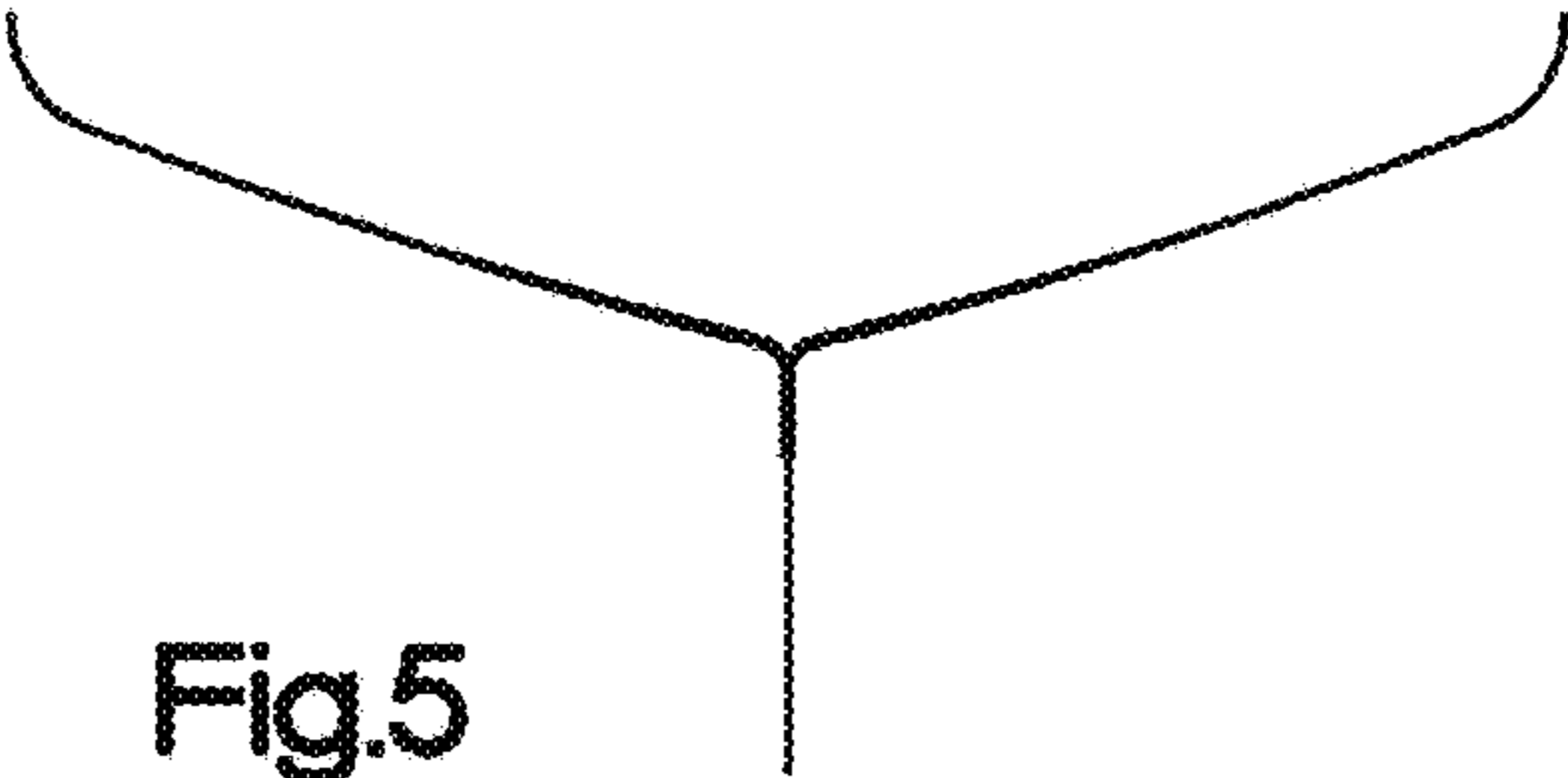


Fig.5

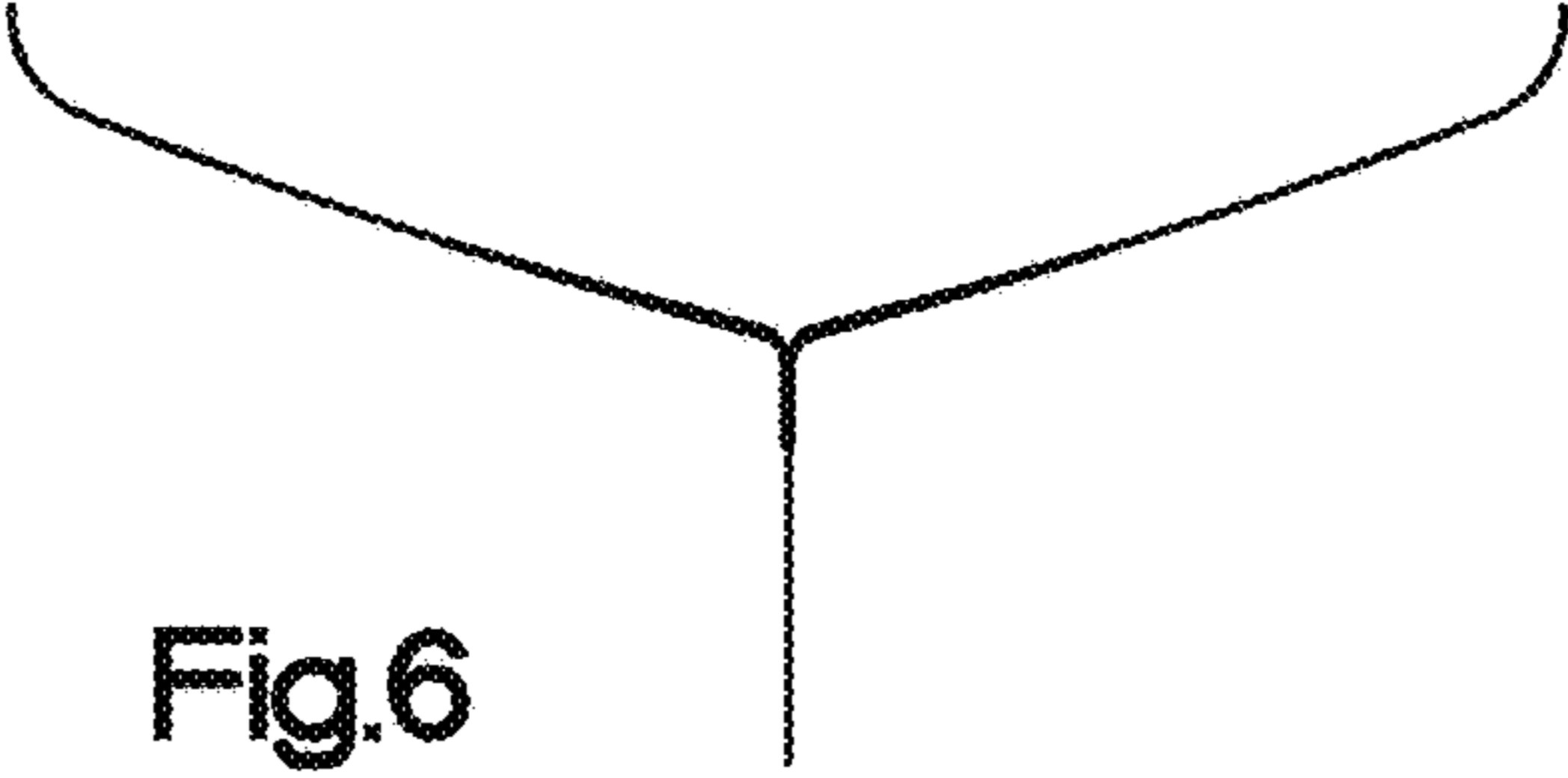


Fig.6

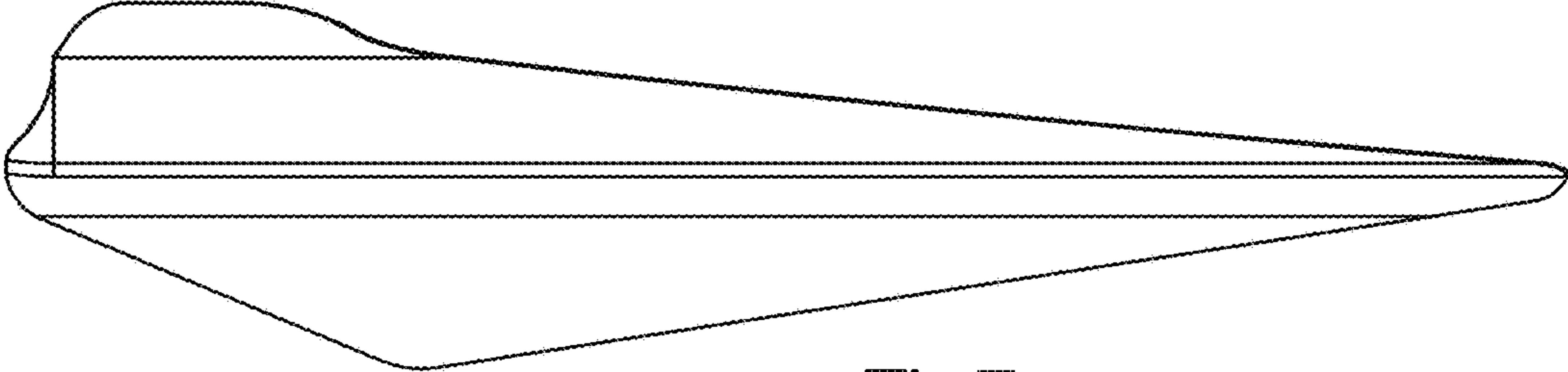


Fig.7

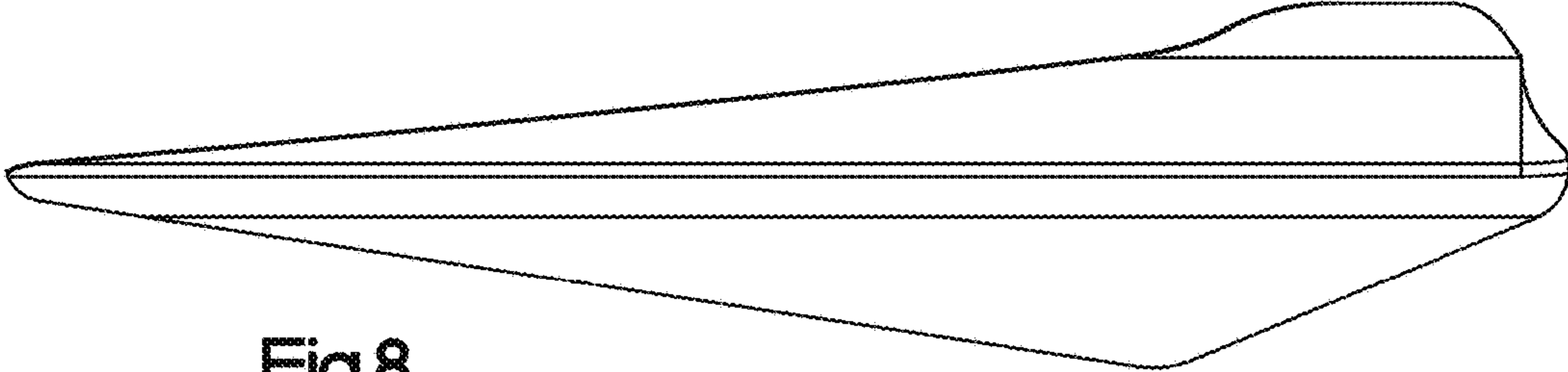


Fig.8

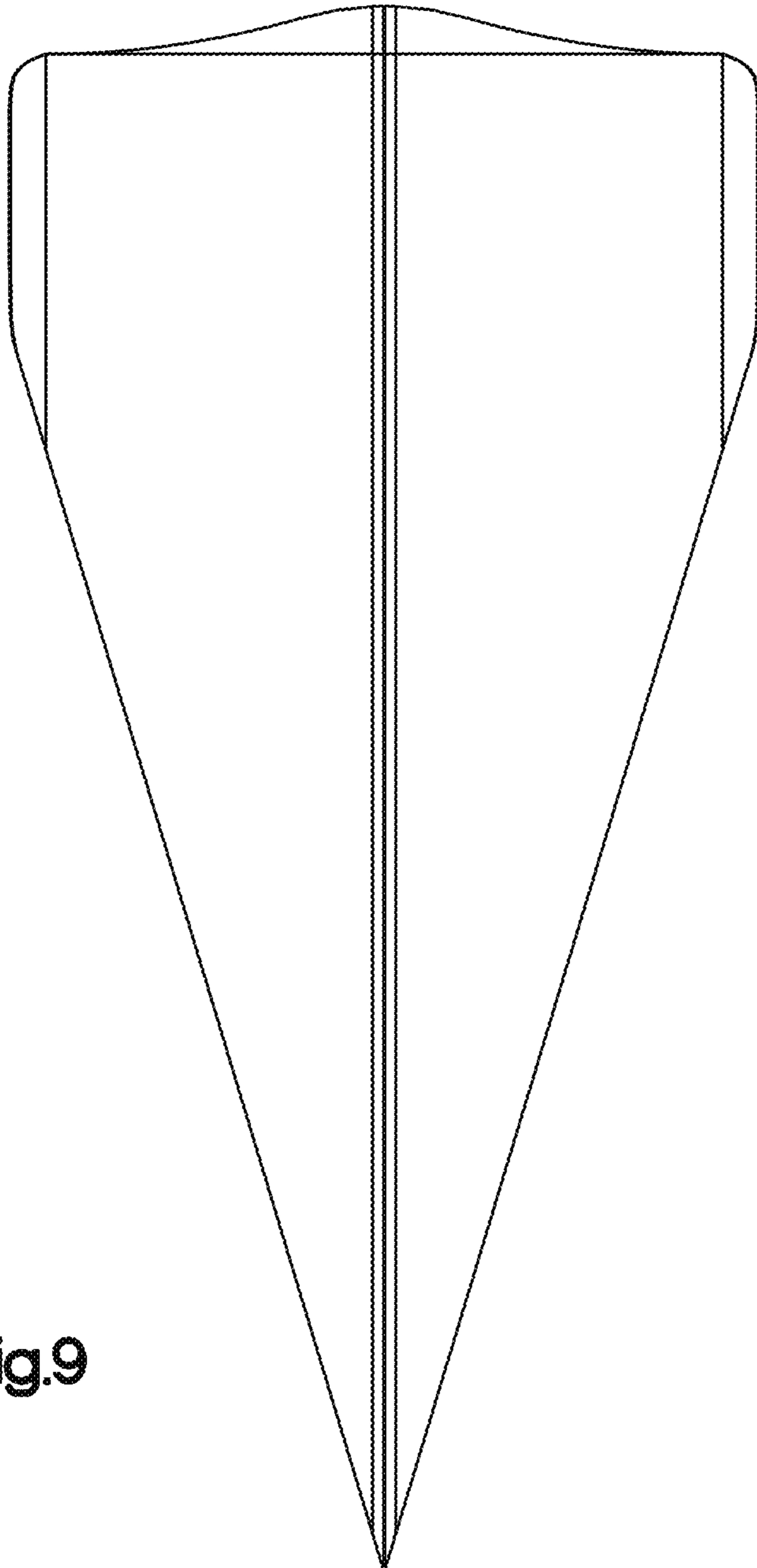


Fig.9

Fig.10

