



US00D806802S

(12) **United States Design Patent** (10) **Patent No.:** **US D806,802 S**
Gould et al. (45) **Date of Patent:** **** Jan. 2, 2018**

(54) **AIRCRAFT BODY**

(71) Applicants: **Bret Gould**, Worthington, OH (US);
Christopher Hawker, Columbus, OH (US); **Christos Ragais**, New Albany, OH (US)

(72) Inventors: **Bret Gould**, Worthington, OH (US);
Christopher Hawker, Columbus, OH (US); **Christos Ragais**, New Albany, OH (US)

(**) Term: **15 Years**

(21) Appl. No.: **29/541,768**

(22) Filed: **Oct. 7, 2015**

(51) **LOC (11) Cl.** **21-01**

(52) **U.S. Cl.**
USPC **D21/449**

(58) **Field of Classification Search**
USPC D12/16.1, 323, 325, 326, 327, 328, 329,
D12/331-343, 345; D21/301, 436, 438,
D21/439, 440, 441, 443, 444, 445-453;
D30/160

CPC A63H 33/18; A63H 27/00; A63H 27/14;
A63H 33/185; A63B 65/08

See application file for complete search history.

(56) **References Cited**

U.S. PATENT DOCUMENTS

D172,465 S *	6/1954	Del Mar	D12/333
D187,352 S *	3/1960	Dryer	D12/16.1
D187,353 S *	3/1960	Dryer	D12/16.1
D220,588 S *	4/1971	Holmes	D12/320
D240,437 S *	7/1976	Rizzo	D21/447
D240,438 S *	7/1976	Rizzo	D21/447
D240,440 S *	7/1976	Rizzo	D21/447
D240,441 S *	7/1976	Rizzo	D21/447
D257,997 S *	1/1981	Hoefl	D21/449
D261,288 S *	10/1981	Hilko	D21/449

D262,729 S *	1/1982	Barrett	D21/449
D263,322 S *	3/1982	Godbout	D21/449
D279,914 S *	7/1985	Solomon, Jr.	D21/449
D307,161 S *	4/1990	Trantham	D21/449
D347,032 S *	5/1994	Nieder	D21/449
D354,994 S *	1/1995	Bender	D21/445
D392,345 S *	3/1998	Burghardt	D21/445

(Continued)

Primary Examiner — Robert M Spear

Assistant Examiner — Marissa J Cash

(74) *Attorney, Agent, or Firm* — Benesch Friedlander
Coplan & Aronoff LLP; Benjamin E. Kern; Thomas Y.
Kendrick

(57) **CLAIM**

The ornamental design for an aircraft body, as shown and described.

DESCRIPTION

FIG. 1 is a top, front, and left side perspective view of an aircraft body;

FIG. 2 is a bottom, rear, and left side perspective view thereof;

FIG. 3 is a top, front, and left side perspective view thereof;

FIG. 4 is a top, rear, and right side perspective view thereof;

FIG. 5 is a bottom, rear, and right side perspective view thereof;

FIG. 6 is a bottom, front, and right side perspective view thereof;

FIG. 7 is a front elevational view thereof;

FIG. 8 is a rear elevational view thereof;

FIG. 9 is a right side elevational view thereof;

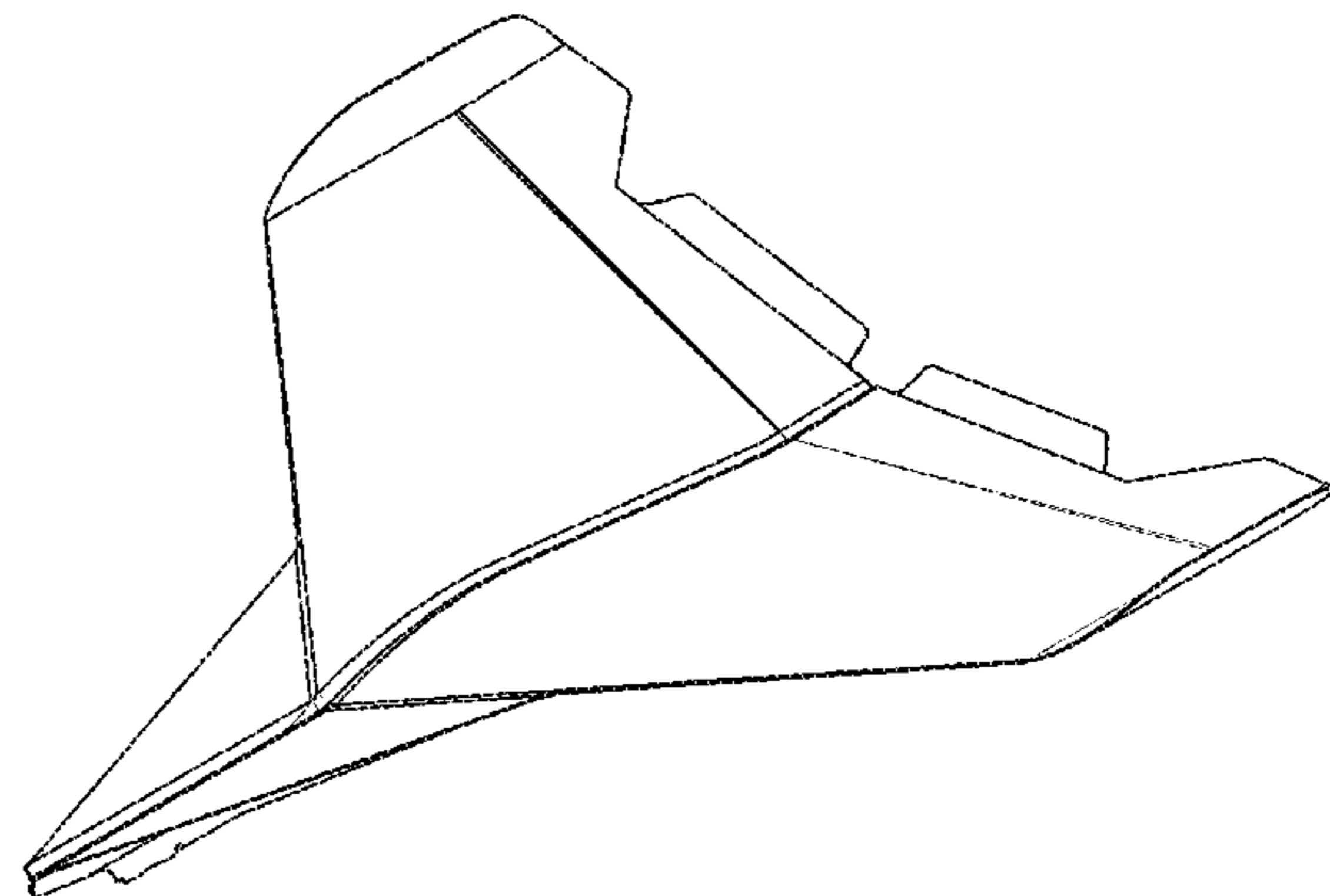
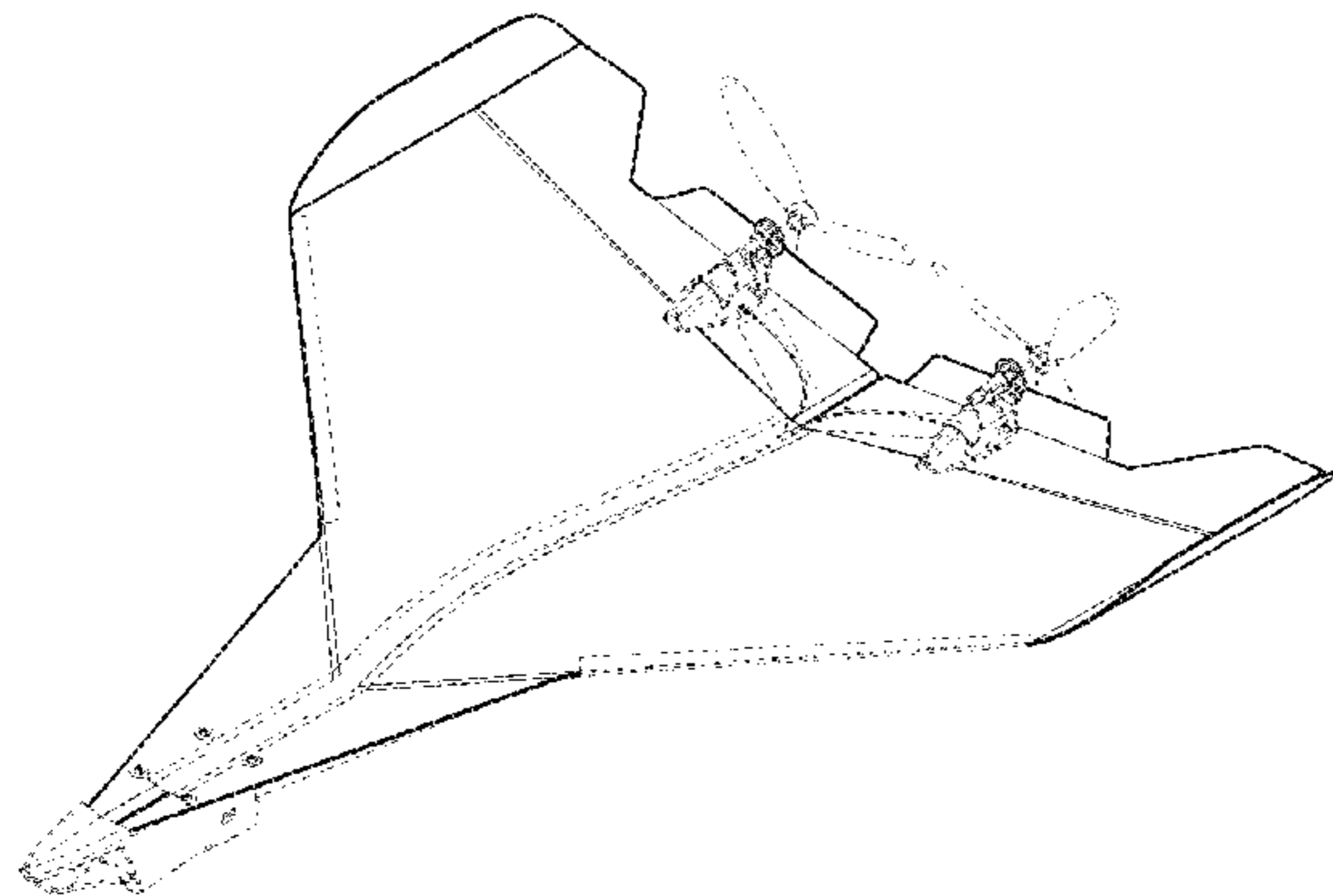
FIG. 10 is a left side elevation view thereof;

FIG. 11 is a top plan view thereof; and,

FIG. 12 is a bottom plan view thereof.

The broken lines portions of FIGS. 1 and 2 are included to show the environment in which the design is embodied and form no part of the claimed design.

1 Claim, 6 Drawing Sheets



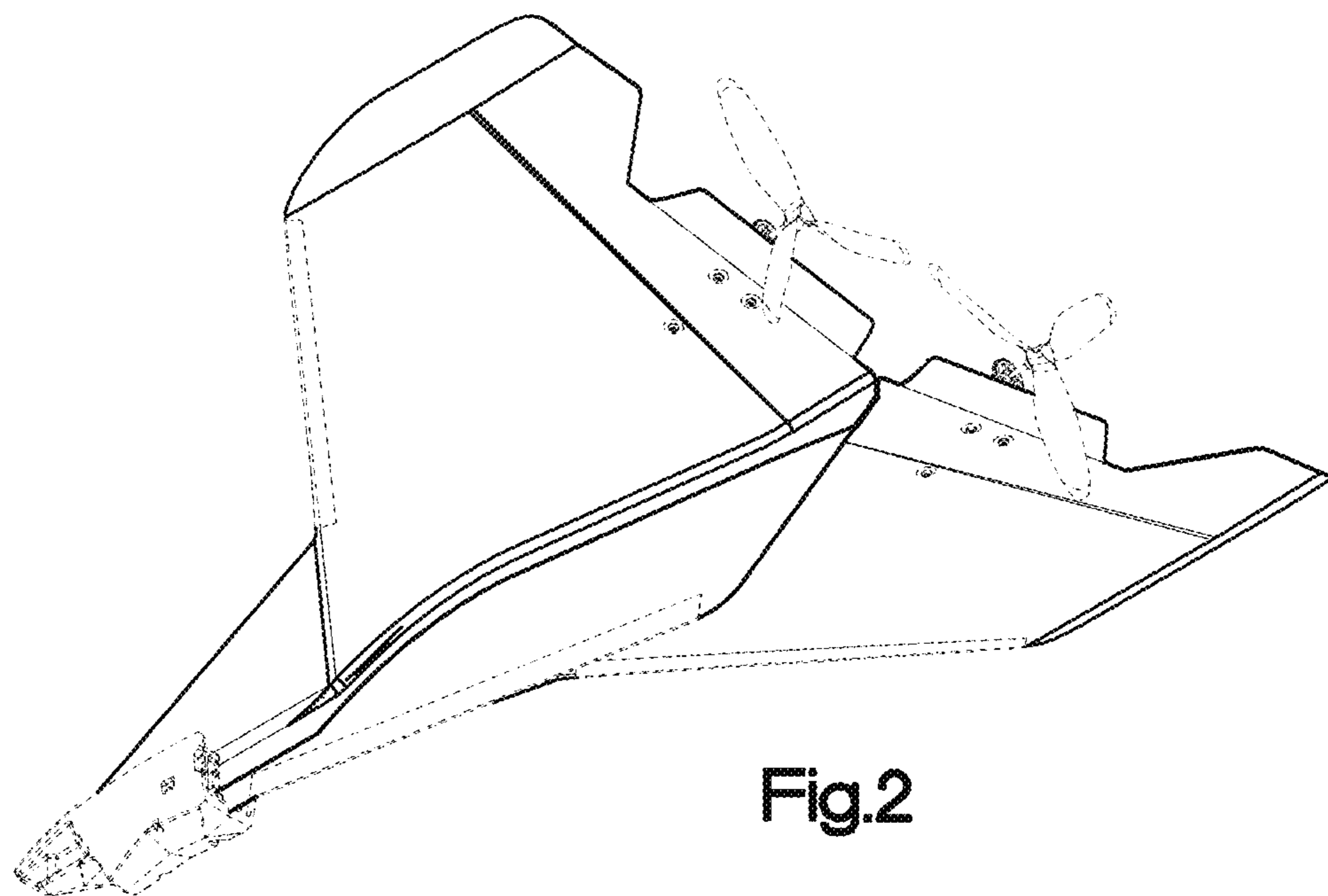
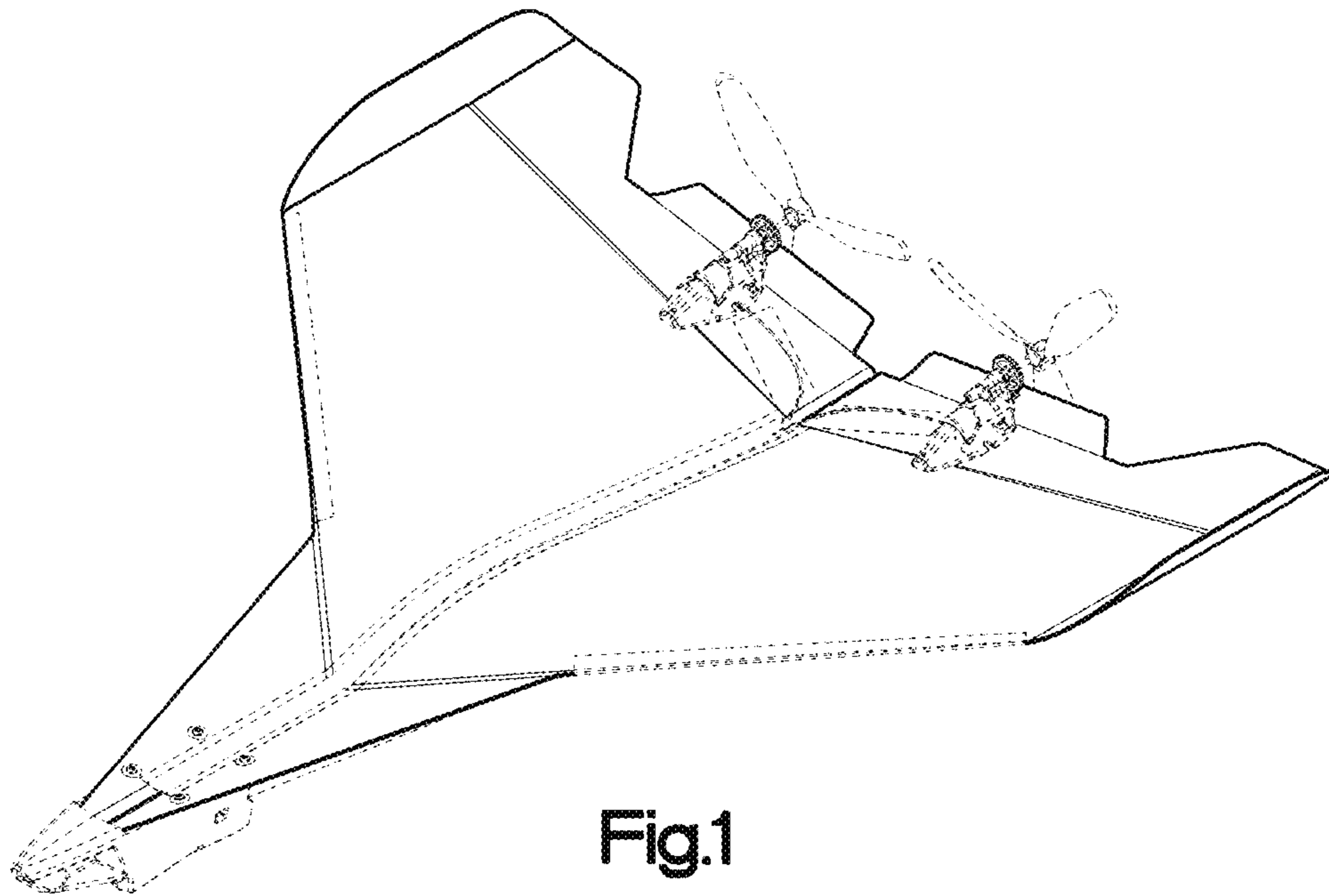
(56)

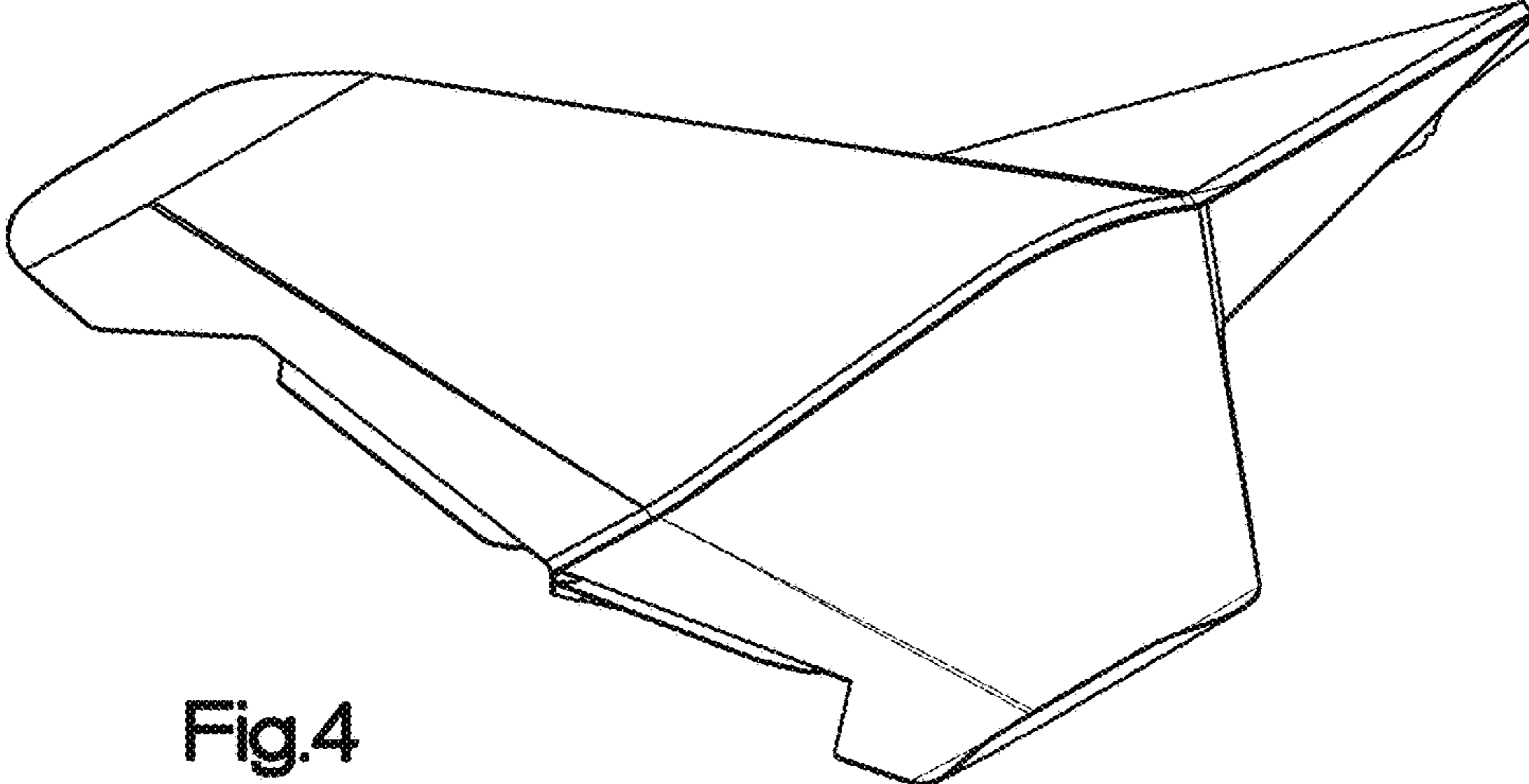
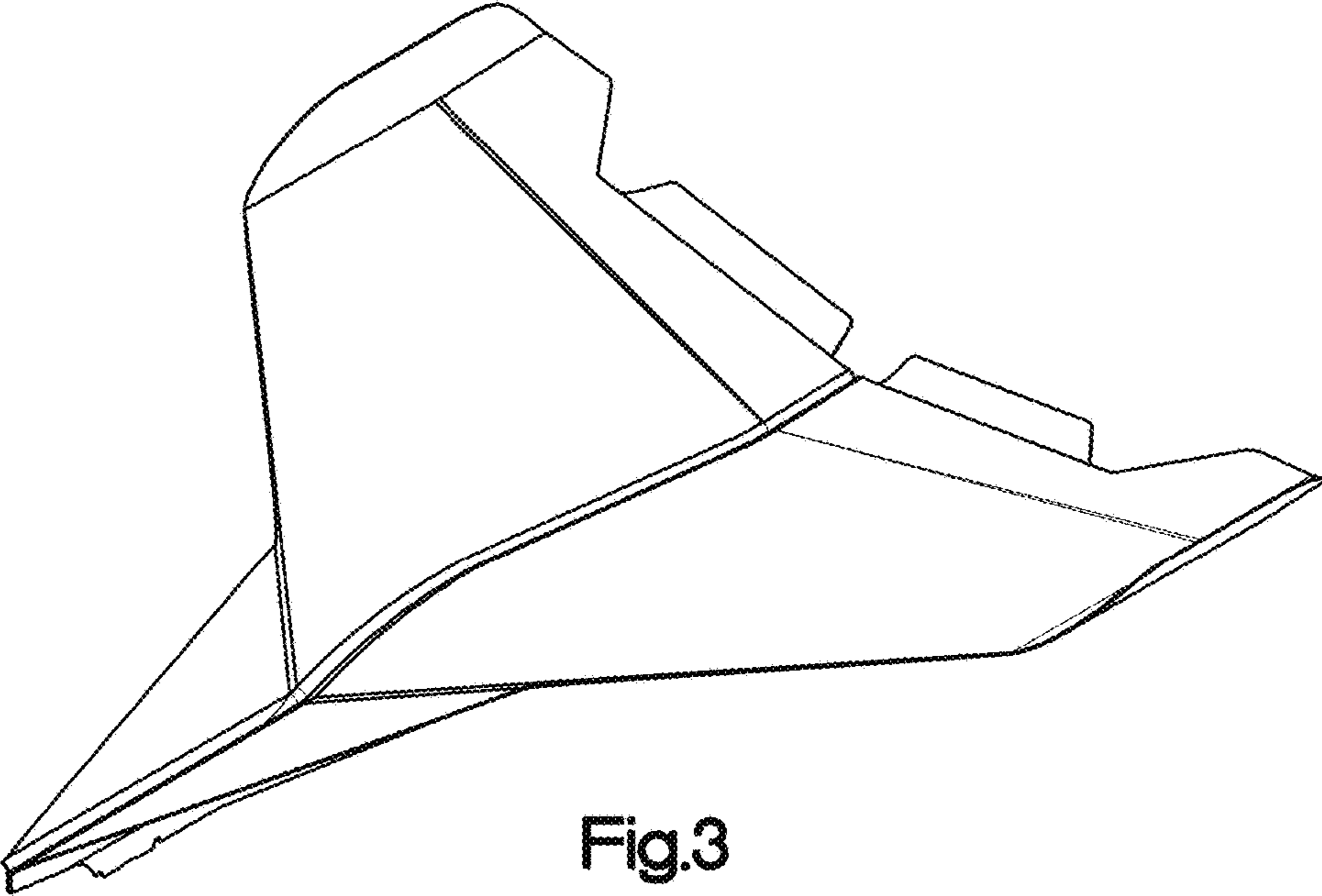
References Cited

U.S. PATENT DOCUMENTS

D410,503	S *	6/1999	Rosz	D21/447
5,908,341	A *	6/1999	dasa	A63H 27/00 446/61
D444,512	S *	7/2001	Miralles	B64C 1/30 D21/447
D481,765	S *	11/2003	Solomon, Jr.	D21/449
D482,076	S *	11/2003	Tabor	D21/438
D482,077	S *	11/2003	Solomon, Jr.	D21/449
D482,078	S *	11/2003	Solomon, Jr.	D21/449
D482,079	S *	11/2003	Solomon, Jr.	D21/449
D482,410	S *	11/2003	Solomon, Jr.	D21/449
D483,815	S *	12/2003	Solomon, Jr.	D21/449
D502,745	S *	3/2005	Tabor	D21/445
D506,229	S *	6/2005	Tabor	D21/445
D628,244	S *	11/2010	Fish	D21/447
D632,345	S *	2/2011	Yuen	D21/450
D641,430	S *	7/2011	Zealer	D21/449
D673,227	S *	12/2012	Robins	D21/453
D690,777	S *	10/2013	Lukasik	D21/449
8,702,467	B2 *	4/2014	Dorius	A63H 27/001 446/61
2014/0127010	A1 *	5/2014	Rose	F02K 1/46 415/208.1

* cited by examiner





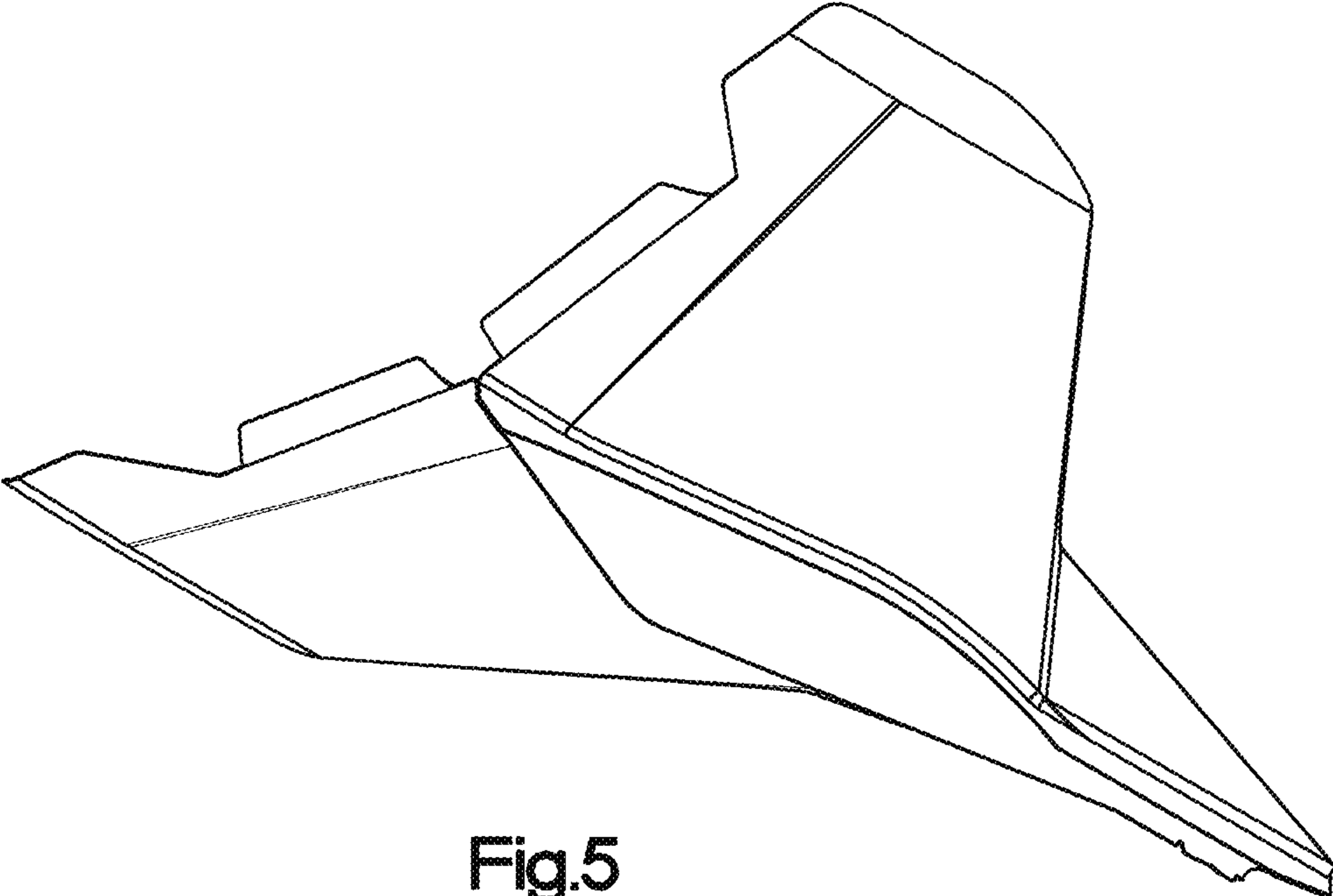


Fig.5

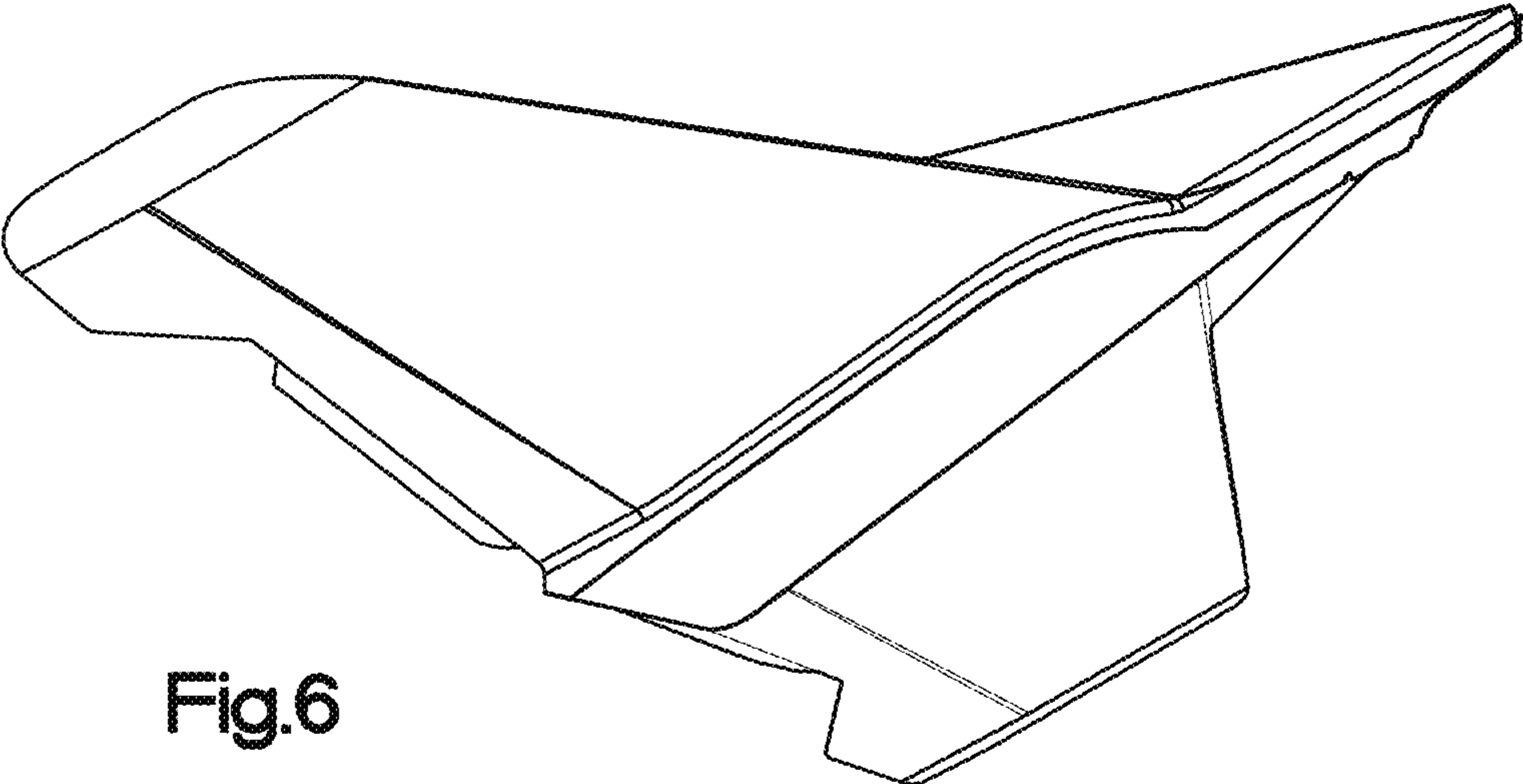


Fig.6

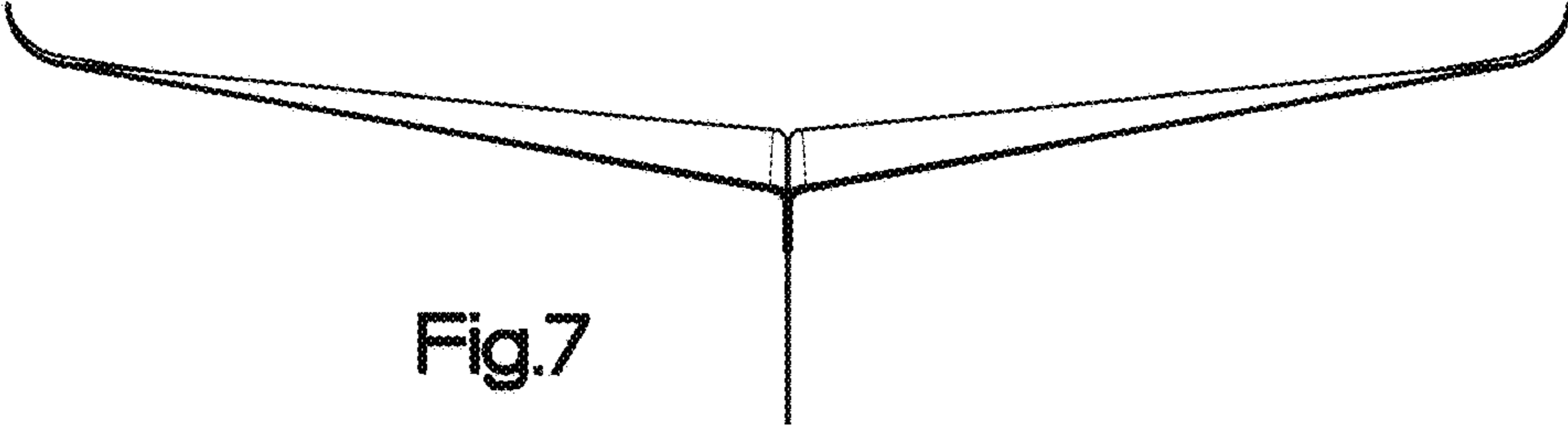


Fig.7

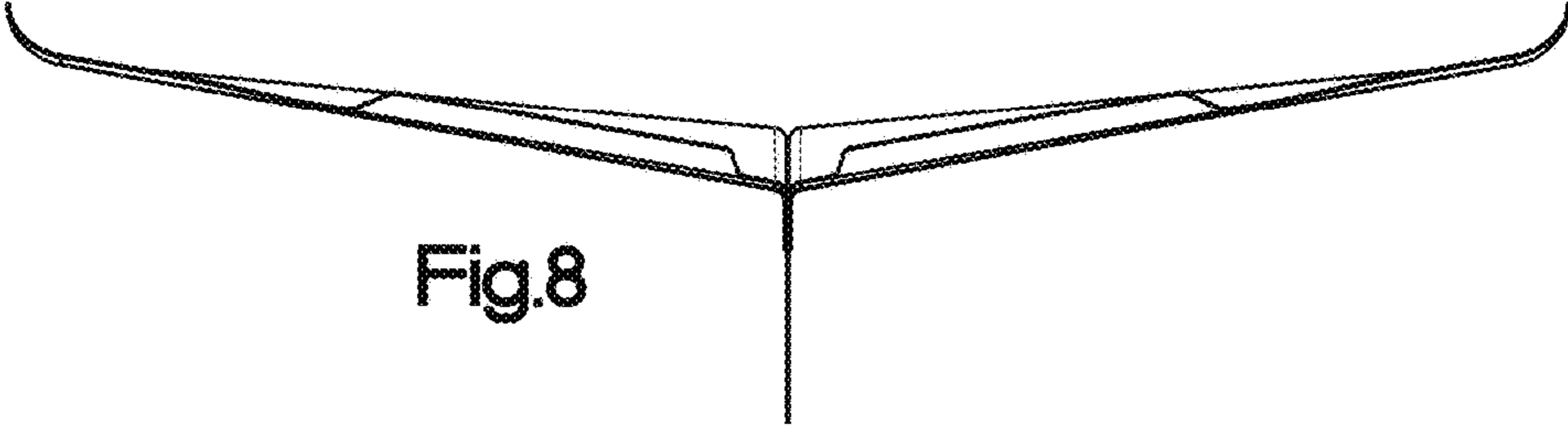


Fig.8

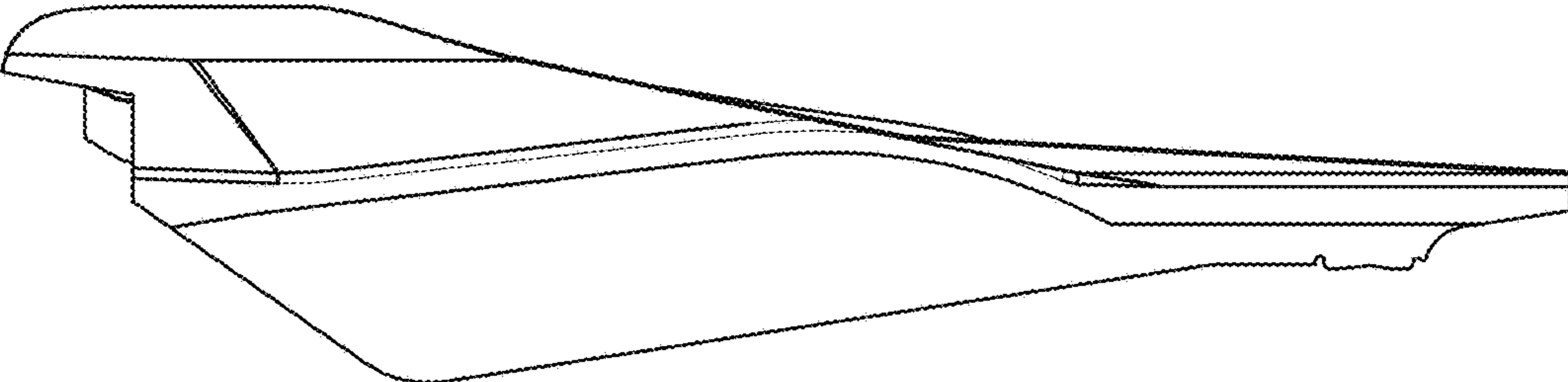


Fig.9

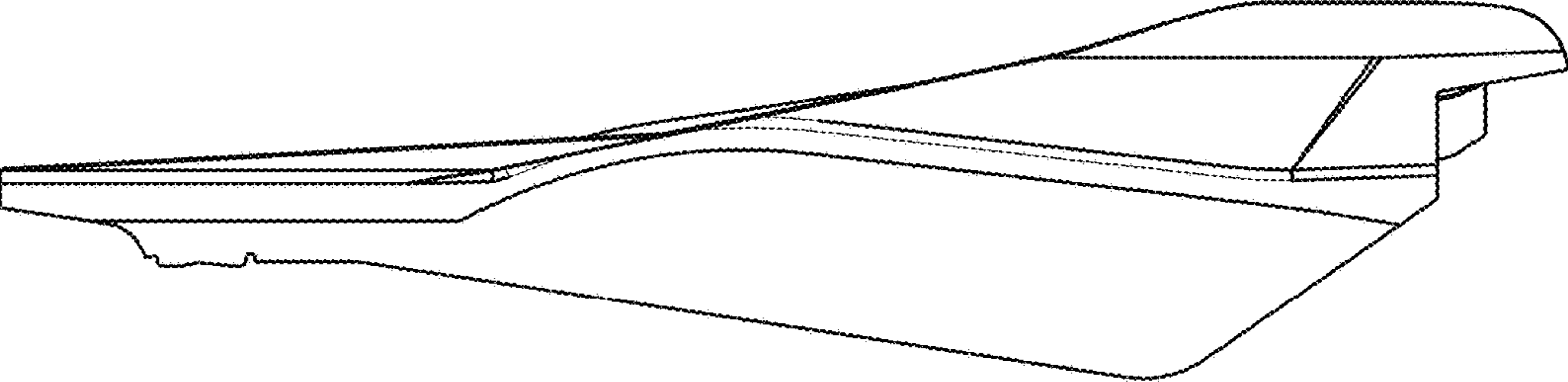


Fig.10

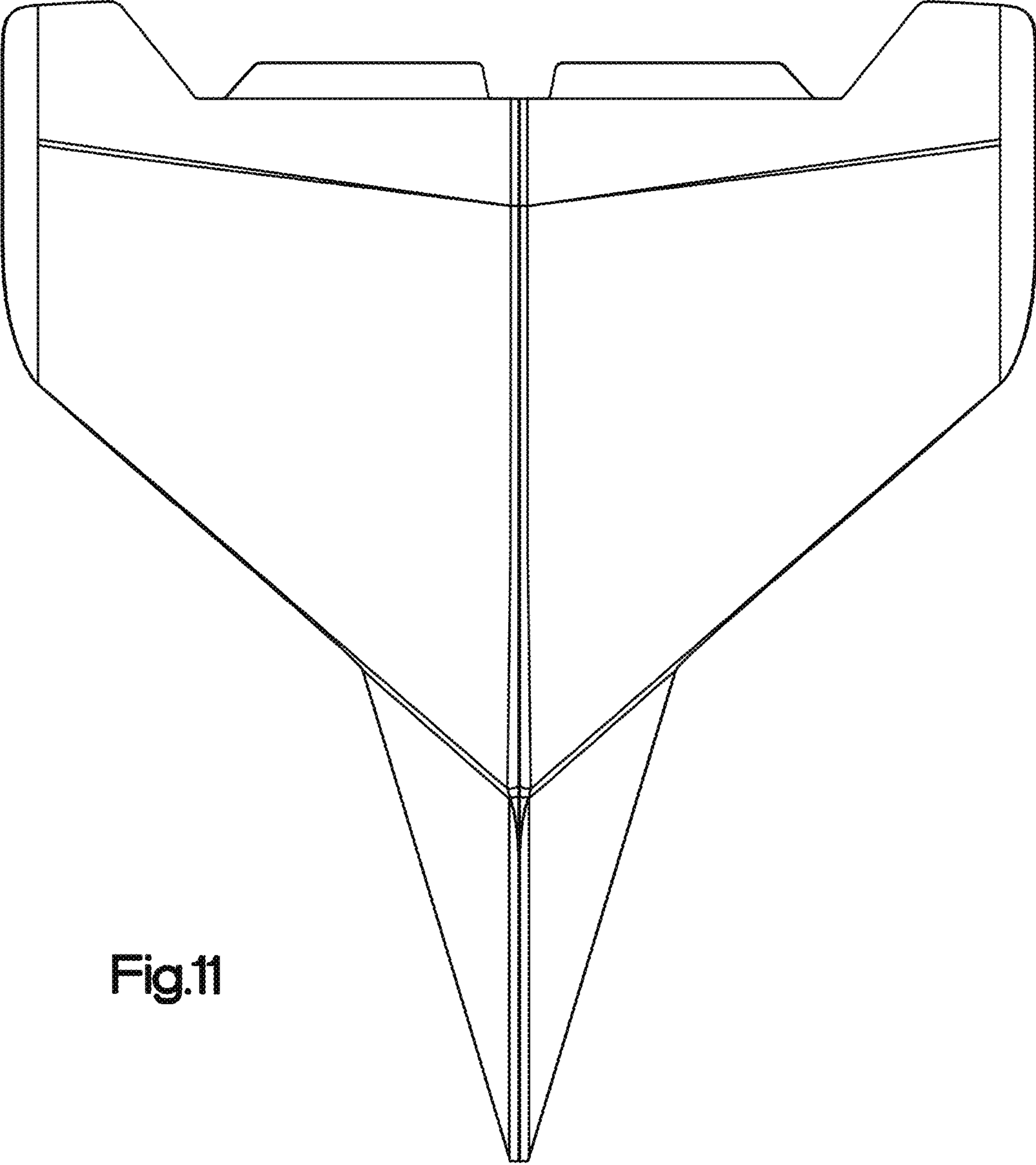


Fig.11

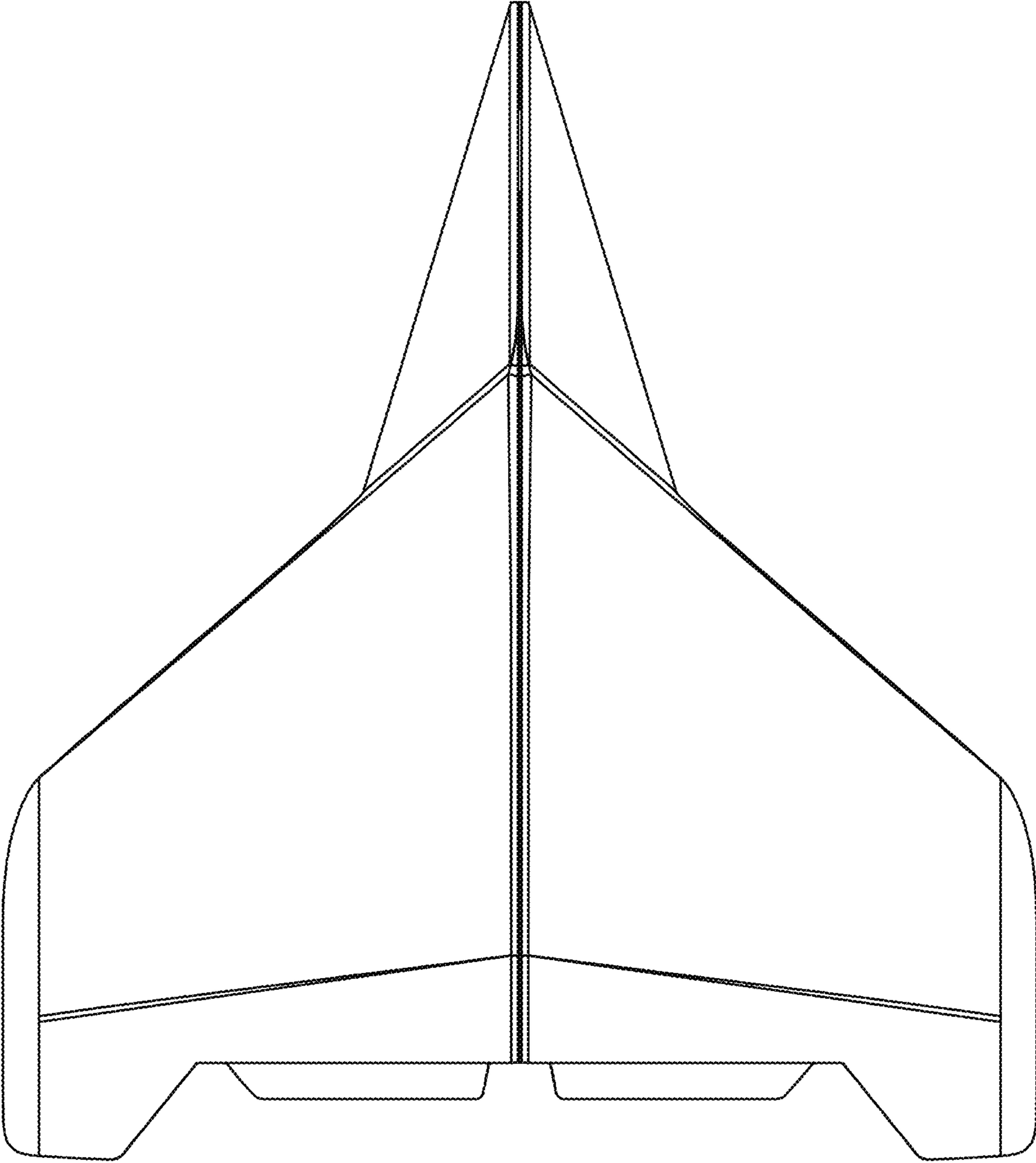


Fig.12