



US00D806800S

(12) **United States Design Patent**
Denby et al.

(10) **Patent No.:** **US D806,800 S**
(45) **Date of Patent:** **** Jan. 2, 2018**

(54) **MOUNTING HARDWARE**

(71) Applicant: **TARGET BRANDS, INC.**,
Minneapolis, MN (US)

(72) Inventors: **Scott E. Denby**, Minneapolis, MN
(US); **Matthew Peterson**, Elk River,
MN (US)

(73) Assignee: **TARGET BRANDS, INC.**,
Minneapolis, MN (US)

(**) Term: **15 Years**

(21) Appl. No.: **29/547,308**

(22) Filed: **Dec. 2, 2015**

(51) **LOC (11) Cl.** **20-02**

(52) **U.S. Cl.**
USPC **D20/41; D6/682.5**

(58) **Field of Classification Search**
USPC D20/10, 19, 29-33, 43, 44, 99, 41;
D28/93; D6/672, 682.5, 682.6; D11/181,
D11/182
CPC ... A41H 5/00; A41H 5/01; A41H 5/02; A45D
44/14; A47F 7/065; A47F 8/00; A47F
8/02; G09F 7/18; G09F 7/20; G09F
19/08; A47B 17/033; H01Q 1/12
See application file for complete search history.

(56) **References Cited**

U.S. PATENT DOCUMENTS

| | | |
|-------------|---------|------------|
| 658,547 A | 9/1900 | Kennedy |
| 739,620 A | 9/1903 | Rocheleau |
| 1,284,436 A | 11/1918 | Palmenberg |
| 1,771,845 A | 7/1930 | Gemeiner |
| 1,972,451 A | 9/1934 | Lehr |

(Continued)

OTHER PUBLICATIONS

“Full Size Male Mannequin in Golfing Position,” printed from
www.displayimporter.com/products/MN-083.html, publicly avail-

able at least as early as Jan. 2, 2006, per <http://web.archive.org> (4 pages).

(Continued)

Primary Examiner — Mary Ann Calabrese
(74) *Attorney, Agent, or Firm* — JoAnn M. Seaton;
Griffiths & Seaton PLLC

(57) **CLAIM**

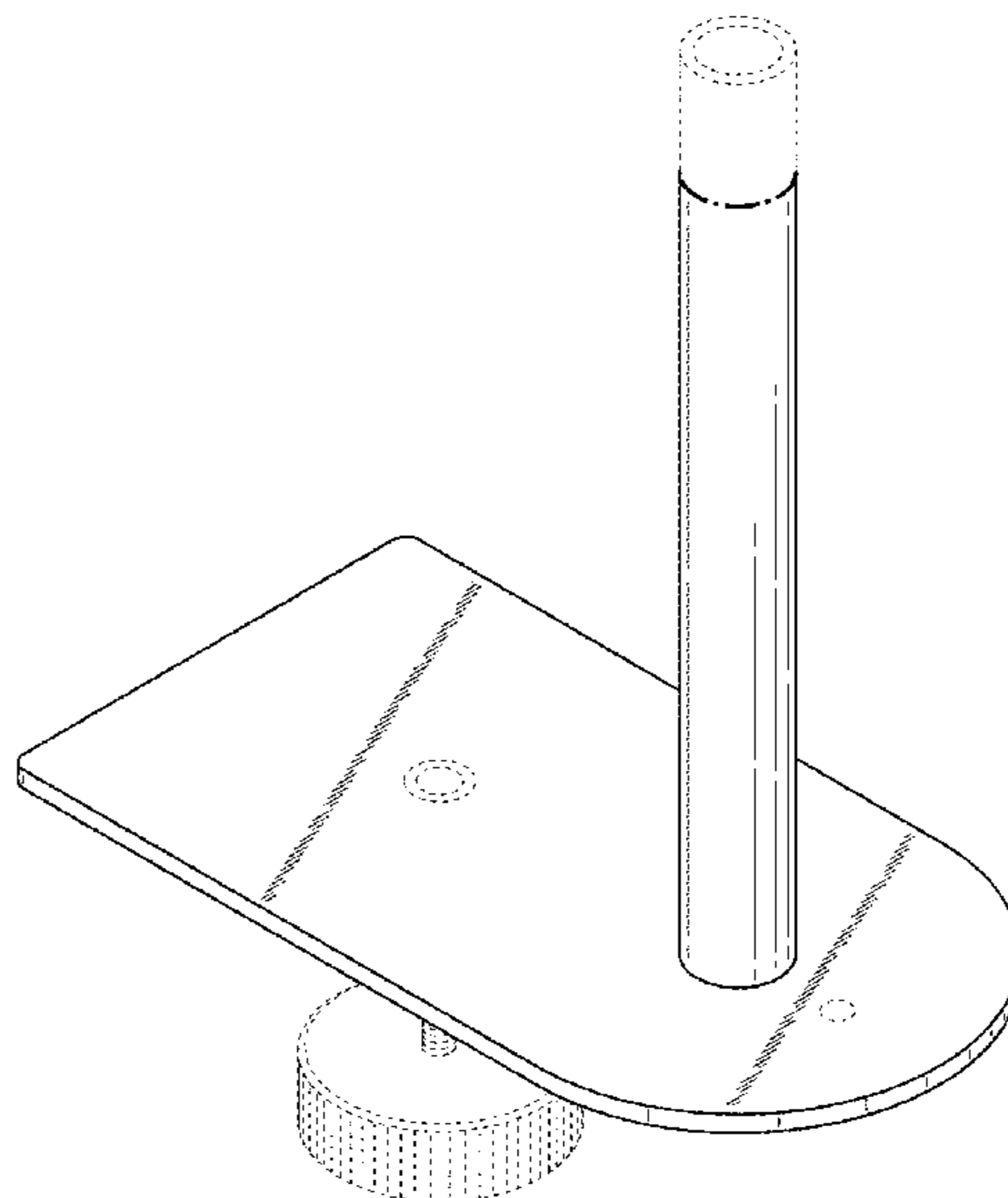
The ornamental design for mounting hardware, as shown and described.

DESCRIPTION

FIG. 1 is a top perspective view of mounting hardware showing our new design;
FIG. 2 is a bottom perspective view thereof;
FIG. 3 is a front view thereof, the rear view being a mirror image of the front view;
FIG. 4 is a right side view thereof;
FIG. 5 is a left side view thereof;
FIG. 6 is a top view thereof; and
FIG. 7 is a bottom view thereof.
FIG. 8 is a top perspective view of the mounting hardware of FIG. 1, shown in use supporting an example mannequin bust;
FIG. 9 is a bottom perspective view thereof;
FIG. 10 is a front view thereof;
FIG. 11 is a rear view thereof;
FIG. 12 is a right side view thereof;
FIG. 13 is a left side view thereof;
FIG. 14 is a top view thereof; and,
FIG. 15 is a bottom view thereof.

The features shown in broken lines are portions of the mounting hardware and environmental subject matter to the mounting hardware forming no part of the claimed design. The features shown in long dash-short dash bolded broken lines indicate the bounds of the claimed design and otherwise form no part of the claimed design.

1 Claim, 13 Drawing Sheets



(56)

References Cited

U.S. PATENT DOCUMENTS

| | | | | |
|--------------|------|---------|----------------|---------------------------|
| 2,099,652 | A | 11/1937 | Janssen | |
| 2,341,424 | A | 2/1944 | Chason | |
| 2,377,723 | A * | 6/1945 | Shuey | B60G 9/00 267/286 |
| 2,418,216 | A | 4/1947 | Adler | |
| 2,537,621 | A | 1/1951 | Busom | |
| 2,656,957 | A | 10/1953 | Bloch | |
| 2,867,362 | A | 1/1959 | Bloch | |
| 2,895,696 | A | 7/1959 | Mergenthaler | |
| 2,987,843 | A | 6/1961 | Anthony | |
| 3,009,284 | A | 11/1961 | Ryan | |
| 3,084,837 | A | 4/1963 | Wolf | |
| 3,168,227 | A | 2/1965 | Osmond | |
| 3,237,822 | A | 3/1966 | Yerger | |
| 3,281,029 | A | 10/1966 | Bloch | |
| 3,294,295 | A | 12/1966 | Wolf | |
| 3,319,846 | A | 5/1967 | Wolf | |
| 3,424,419 | A * | 1/1969 | Siegel | A45D 44/14 223/66 |
| 3,524,554 | A | 8/1970 | Ruhnke | |
| 3,591,118 | A | 7/1971 | Gentile et al. | |
| 3,596,862 | A * | 8/1971 | Block | A45D 44/14 223/66 |
| D223,689 | S | 5/1972 | Forbes | |
| D227,515 | S | 6/1973 | Mergens et al. | |
| 4,311,260 | A | 1/1982 | Toy | |
| 4,545,514 | A | 10/1985 | Toy | |
| 4,792,071 | A | 12/1988 | Scarpa et al. | |
| 5,039,056 | A * | 8/1991 | Paxton | H01Q 1/1207 248/538 |
| 5,923,301 | A * | 7/1999 | Chen | H01Q 1/12 343/795 |
| 6,336,620 | B1 | 1/2002 | Belli | |
| 6,345,794 | B1 | 2/2002 | Varner | |
| 6,880,791 | B1 * | 4/2005 | Lin | F16M 13/02 248/231.61 |
| 7,121,516 | B1 * | 10/2006 | Koh | A47B 17/033 248/226.11 |
| 7,237,683 | B1 | 7/2007 | Hammers | |
| D649,714 | S | 11/2011 | Key | |
| D708,672 | S * | 7/2014 | Denby | D20/41 |
| 2004/0089782 | A1 | 5/2004 | Eliason et al. | |
| 2007/0181515 | A1 | 8/2007 | Levi et al. | |
| 2012/0006864 | A1 | 1/2012 | McCarthy | |

OTHER PUBLICATIONS

“Female Torso with adjustable metal base,” printed from www.buystoreshelving.com/female_display_forms/DF_9/index.htm,

publicly available at least as early as Jun. 15, 2008, per <http://web.archive.org> (2 pages).

“Display Female Mannequin #150,” printed from http://buystoreshelving.com/female_mannequins_with_wig/female_mannequin_FM150/index.htm, publicly available at least as early as Dec. 24, 2009, per <http://web.archive.org> (2 pages).

“Display Female Mannequin #223,” printed from http://buystoreshelving.com/female_mannequins_with_wig/display_mannequin_FM223/index.htm, publicly available at least as early as Aug. 18, 2013, per <http://web.archive.org> (2 pages).

U.S. Appl. No. 29/502,317, filed Sep. 15, 2014 (22 pages).

“Display Base Female Mannequin,” printed from www.alibaba.com/product-detail/display-base-female-mannequin_1613962898.html, publicly available at least as early as Aug. 11, 2015 (7 pages).

“Mannequins Rack Display Base, Lady Fashion Clothing Shop Display Equipment Photography Props 3d Scanning Christmas Tree Rotat,” printed from www.alibaba.com/product-detail/mannequins-rack-display-base-lady-fashion_60087801156.html, publicly available at least as early as Aug. 11, 2015 (13 pages).

“Vintage Mannequin/Window Display Dummy, Metal Construction, Two Pieces, Glass Base,” printed from www.postadsuk.com/vintage-mannequin-window-display-dummy-metal-construction-two-pieces-glass-base_67850-17.html, publicly available at least as early as Aug. 11, 2015 (4 pages).

“Headless Male Mannequin #1,” printed from www.buystorefixtures.com/pages/store/skudetail.nhtml?profile=...0489&returnURL=http%3A//www.buystorefixtures.com/headlessmannequins, publicly available at least as early as Aug. 21, 2015 (2 pages).

“Mannequins 360 Degree Electrical Display Base for Donn Karan Apparel & Garment,” printed from www.alibaba.com/product-detail/mannequins-360-degree-electrical-display-base_60071430479.html, publicly available at least as early as Aug. 21, 2015 (3 pages).

“White Matt Female Mannequin—Arms Behind Back, Right Bent Leg,” printed from www.valentinosdisplays.com/White-Matt-Female-Mannequin---Arms-Behind-Back,%20-Right-Bent-Leg-p-704.html, publicly available at least as early as Aug. 21, 2015 (4 pages).

Mannequin Support Plate Publicly Used in Target Stores more than one year prior to Dec. 2, 2015 (1 page).

“Black Male Upper Torso Mannequin Form with Metal Base”, printed from www.amazon.com/Black-Upper-Torso-Mannequin-Metal/dp/B0040YSQKI, publicly available at least as early as Jun. 5, 2013 (5 pages).

* cited by examiner

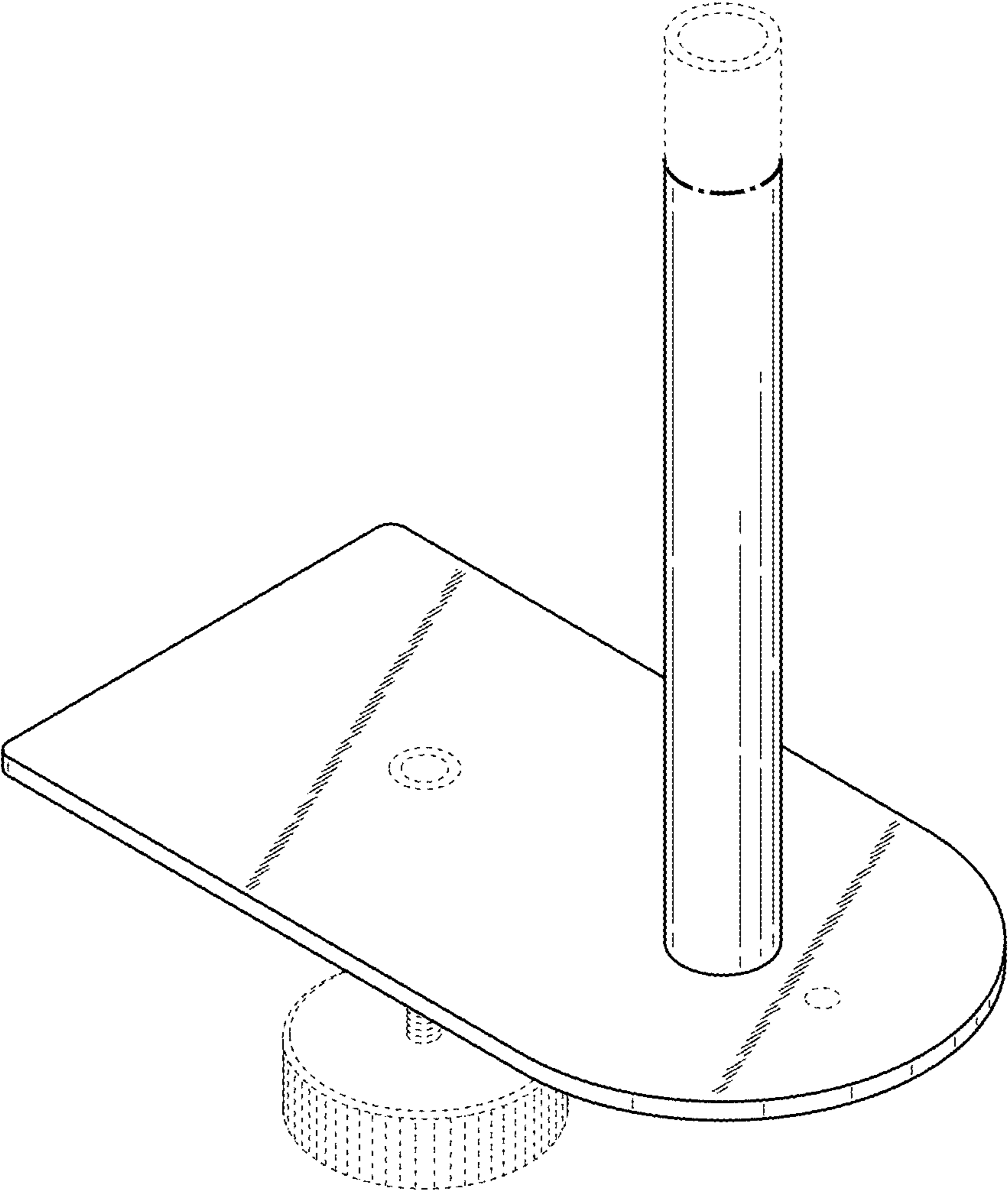


FIG. 1

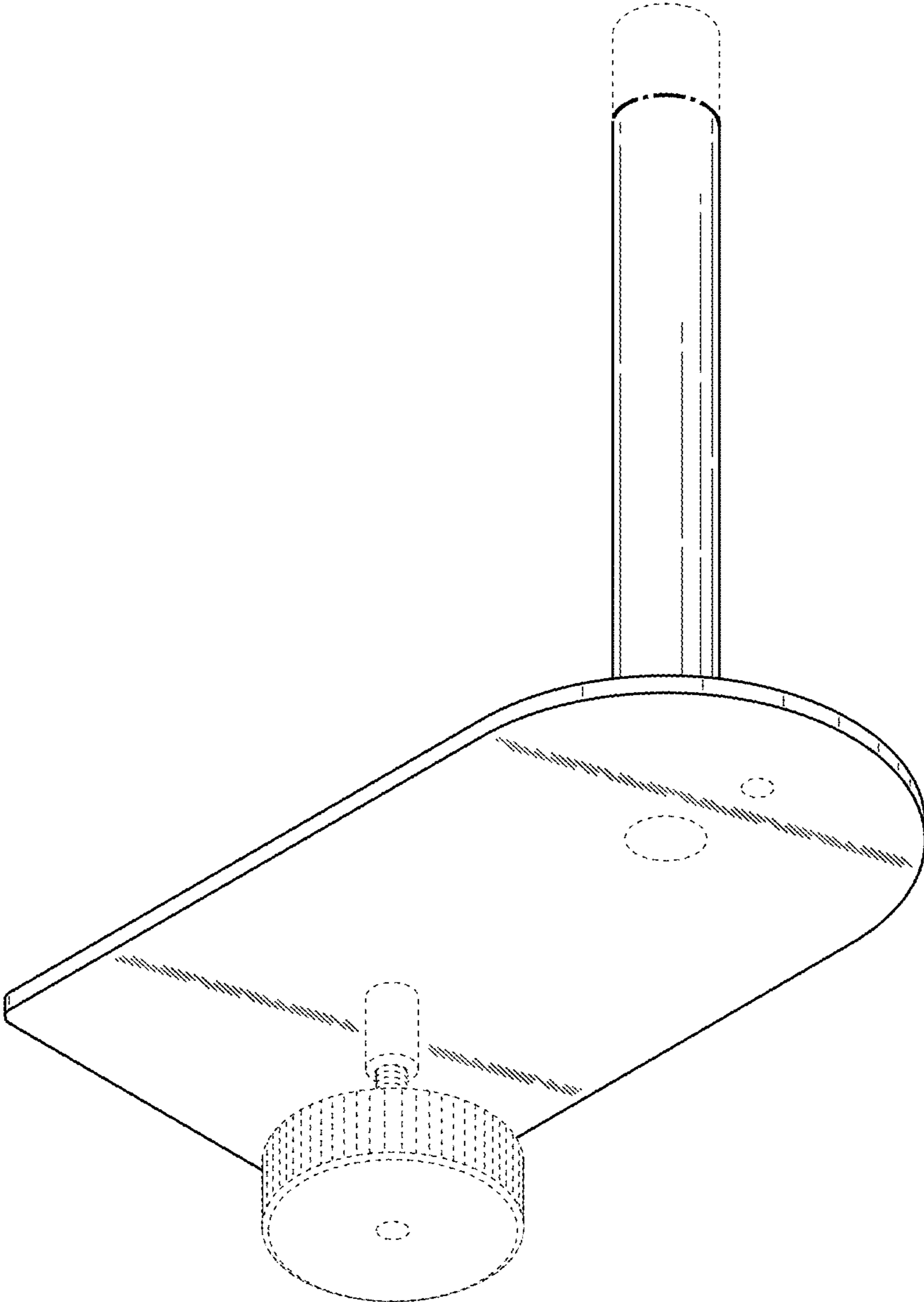


FIG. 2

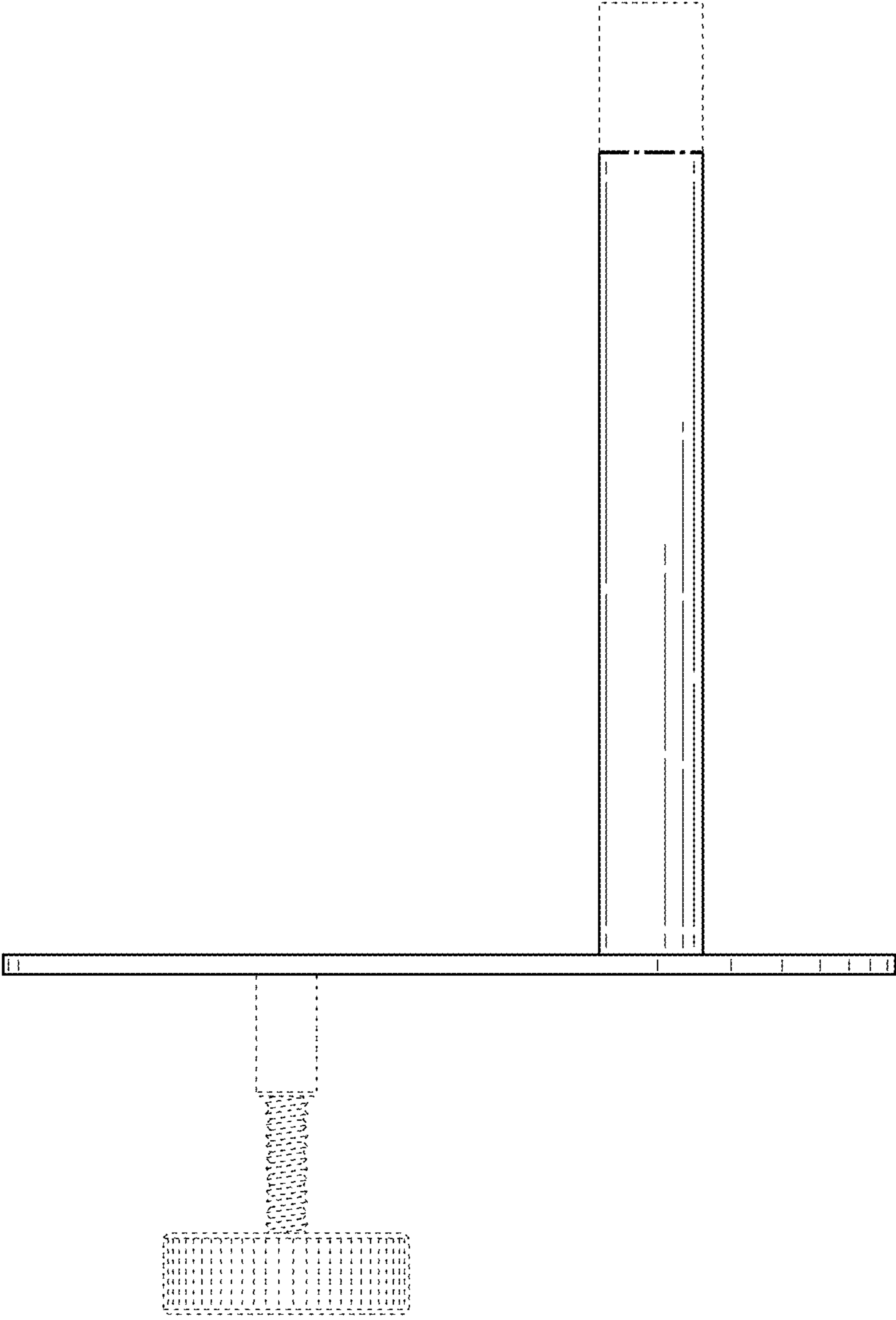


FIG. 3

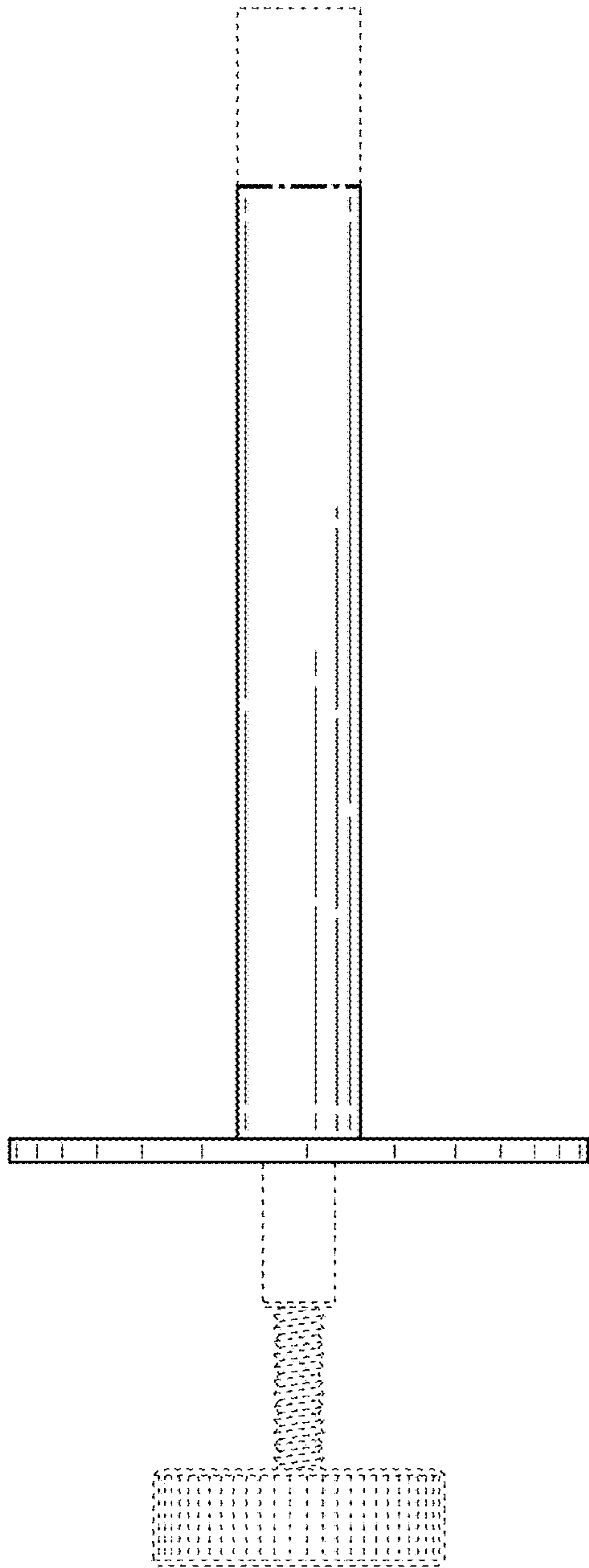


FIG. 4

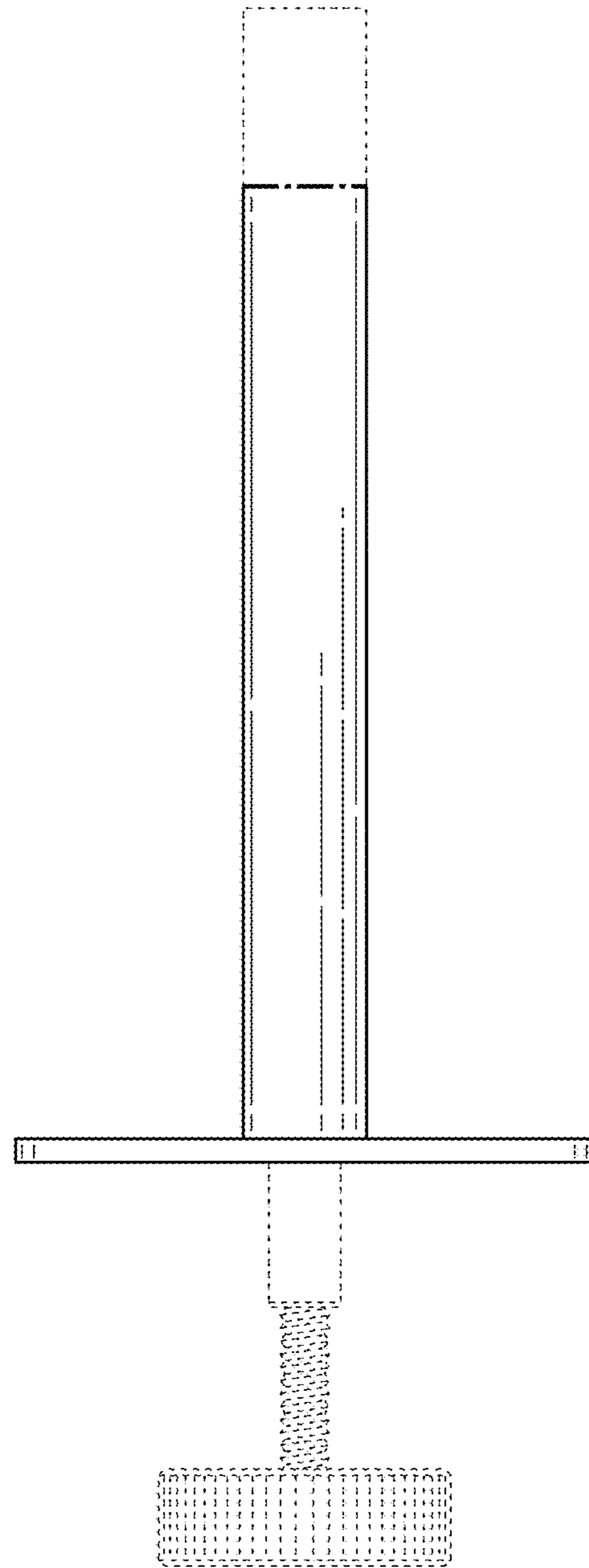


FIG. 5

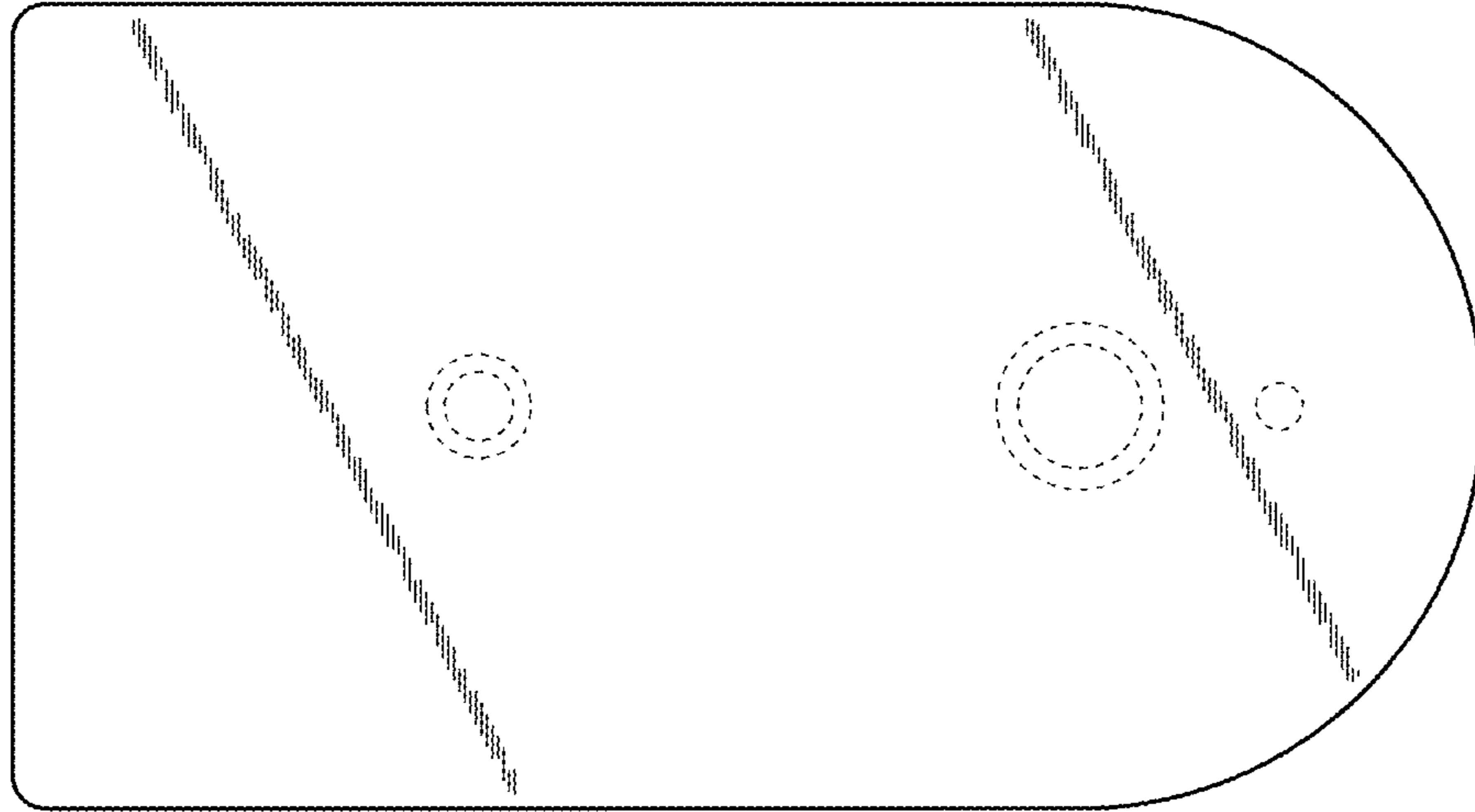


FIG. 6

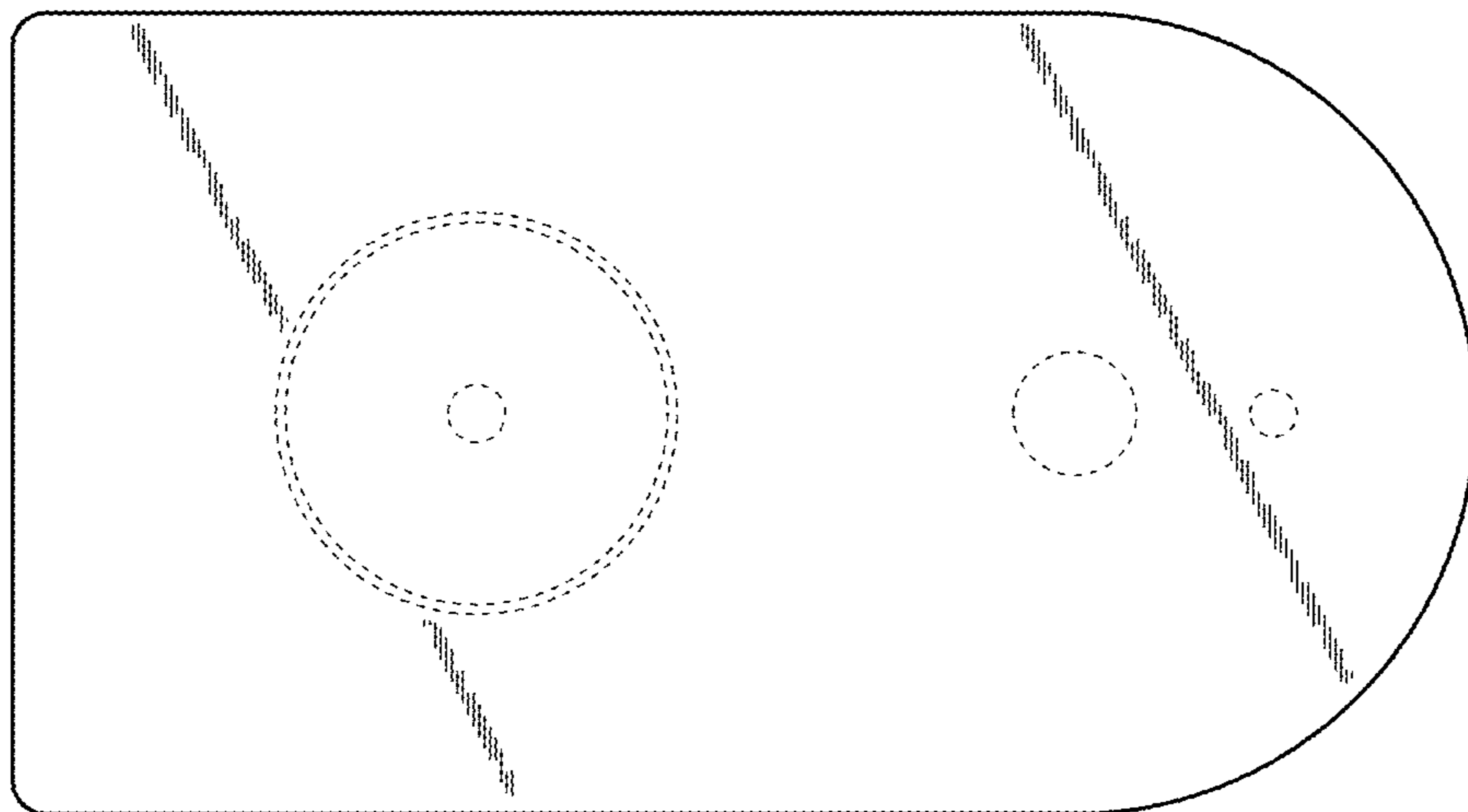


FIG. 7

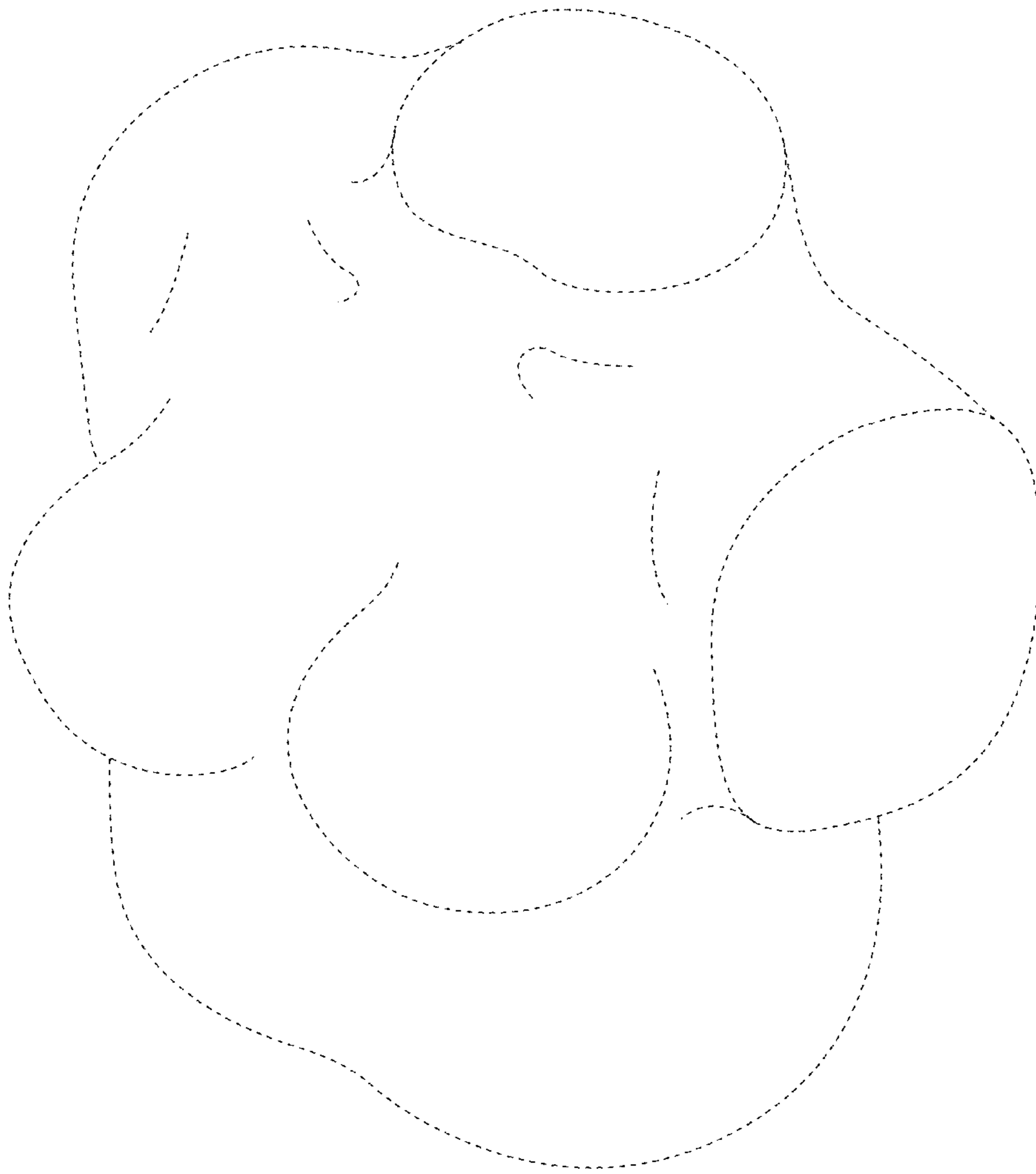


FIG. 8

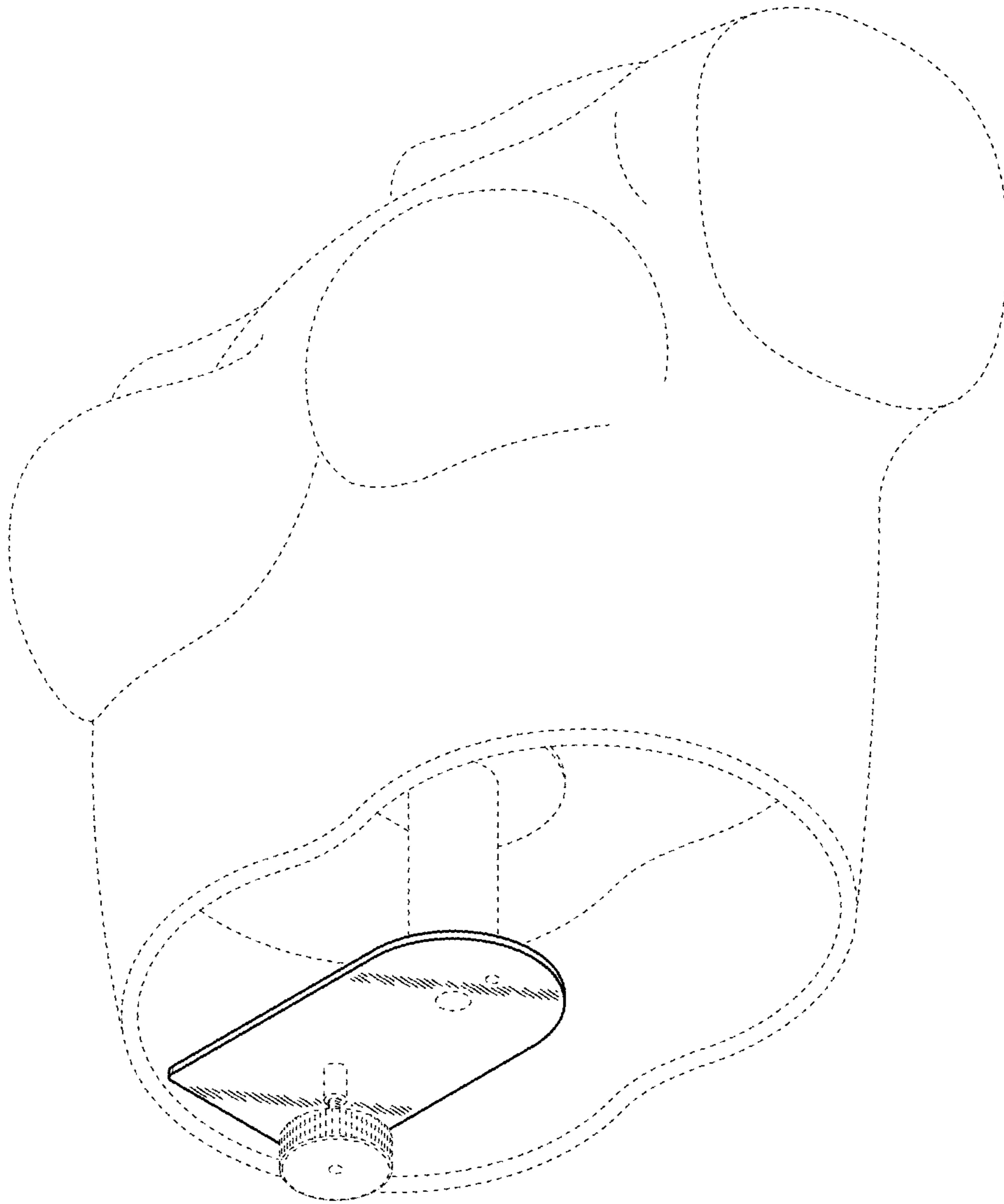


FIG. 9

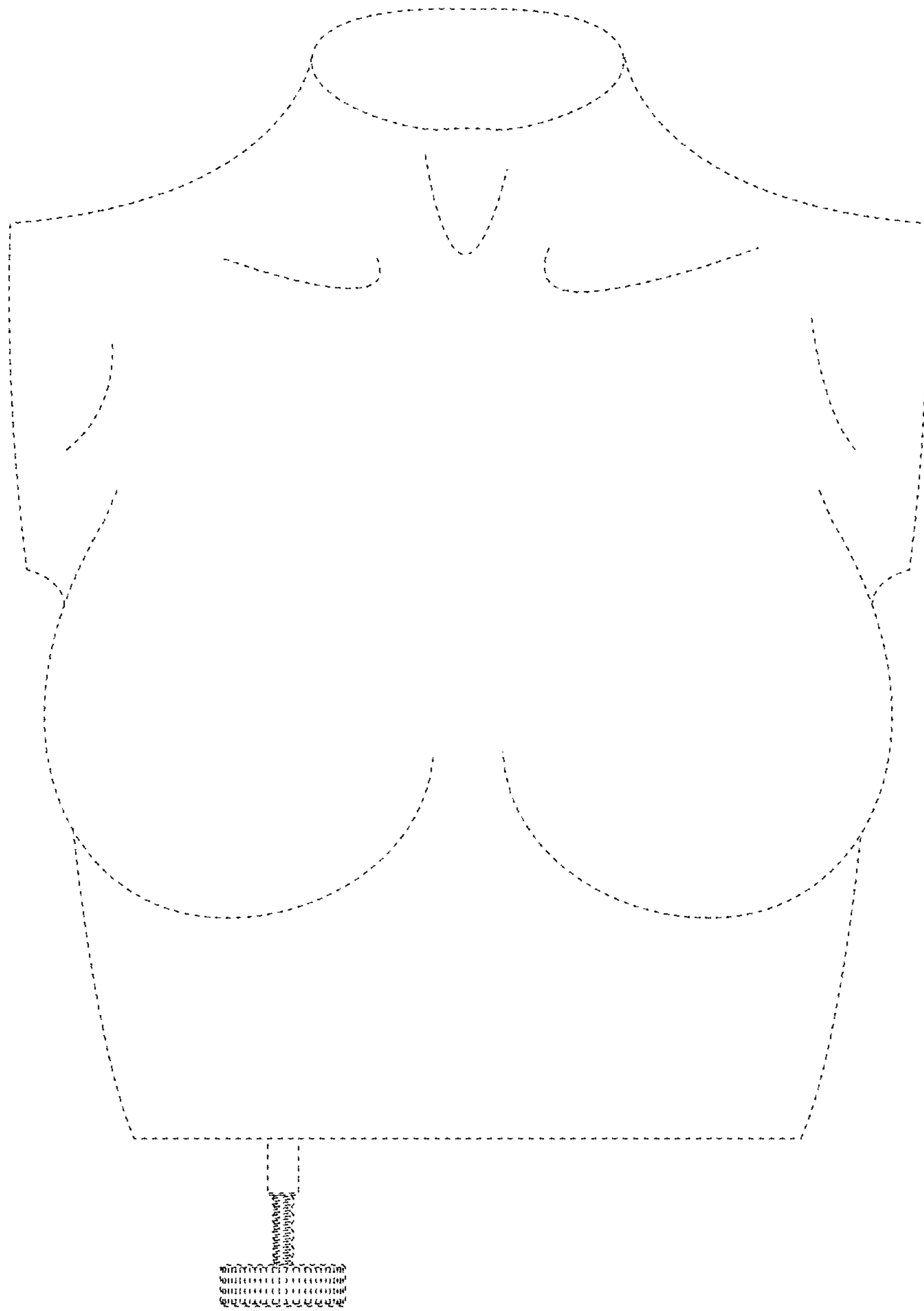


FIG. 10

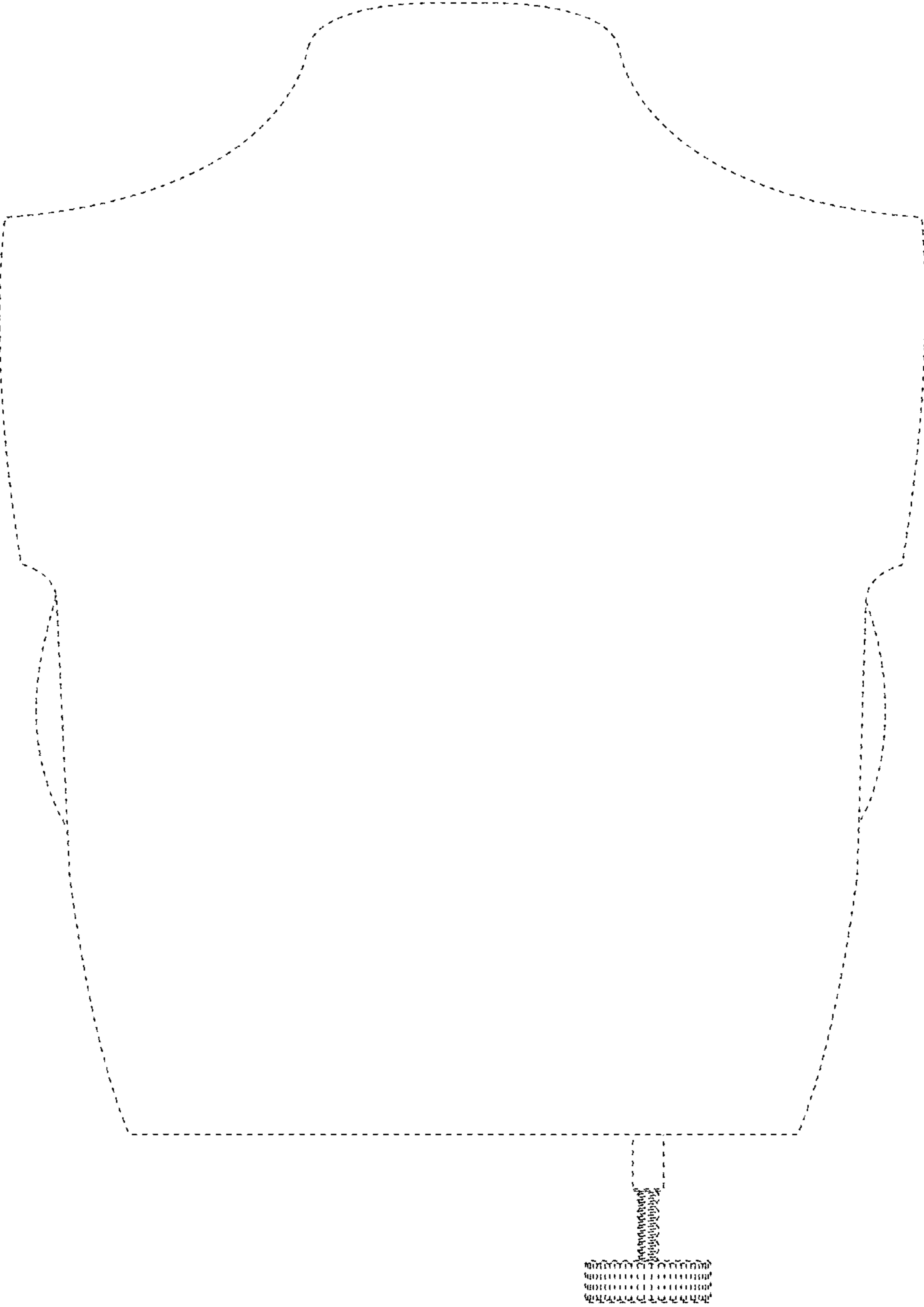


FIG. 11

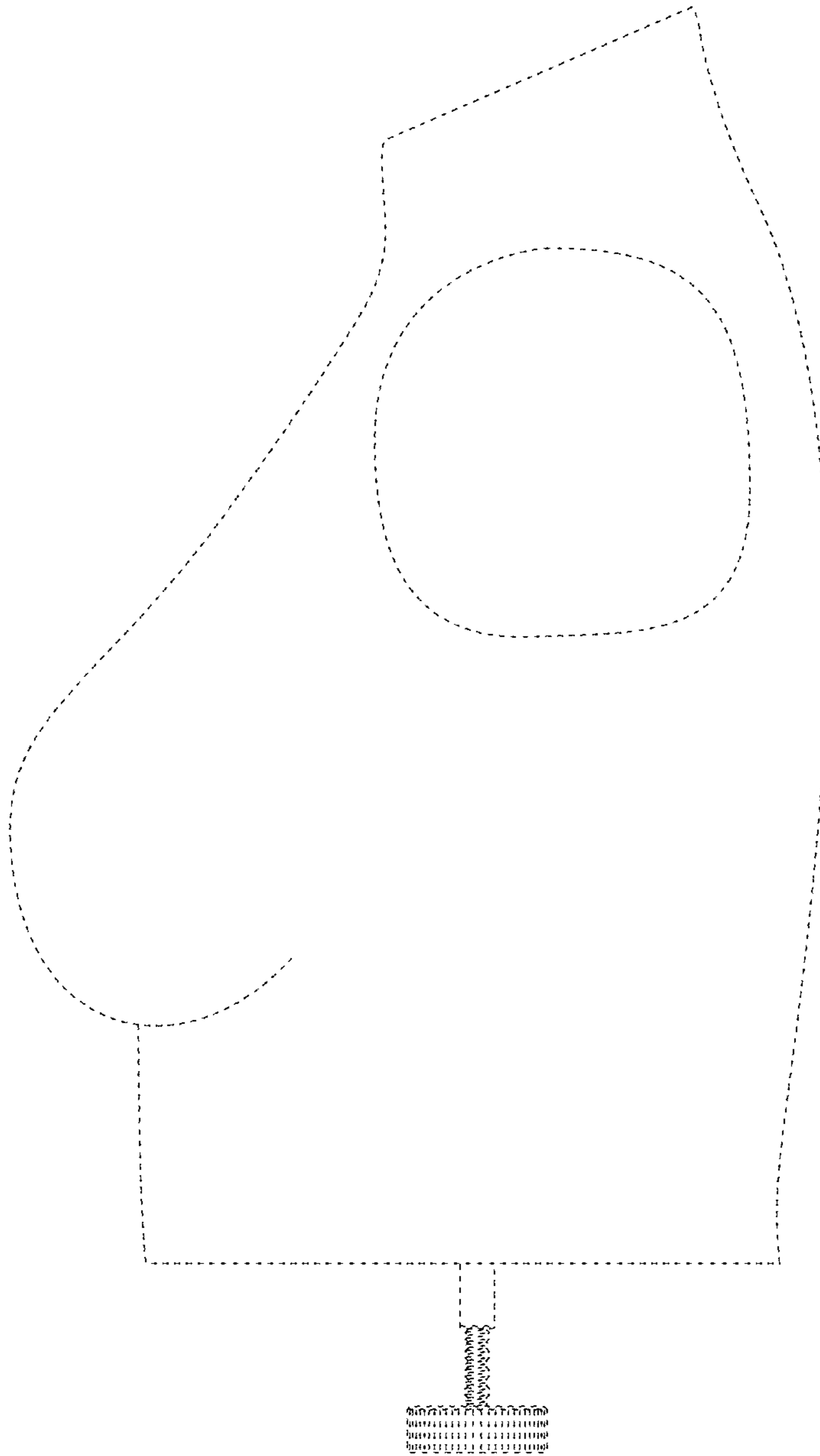


FIG. 12

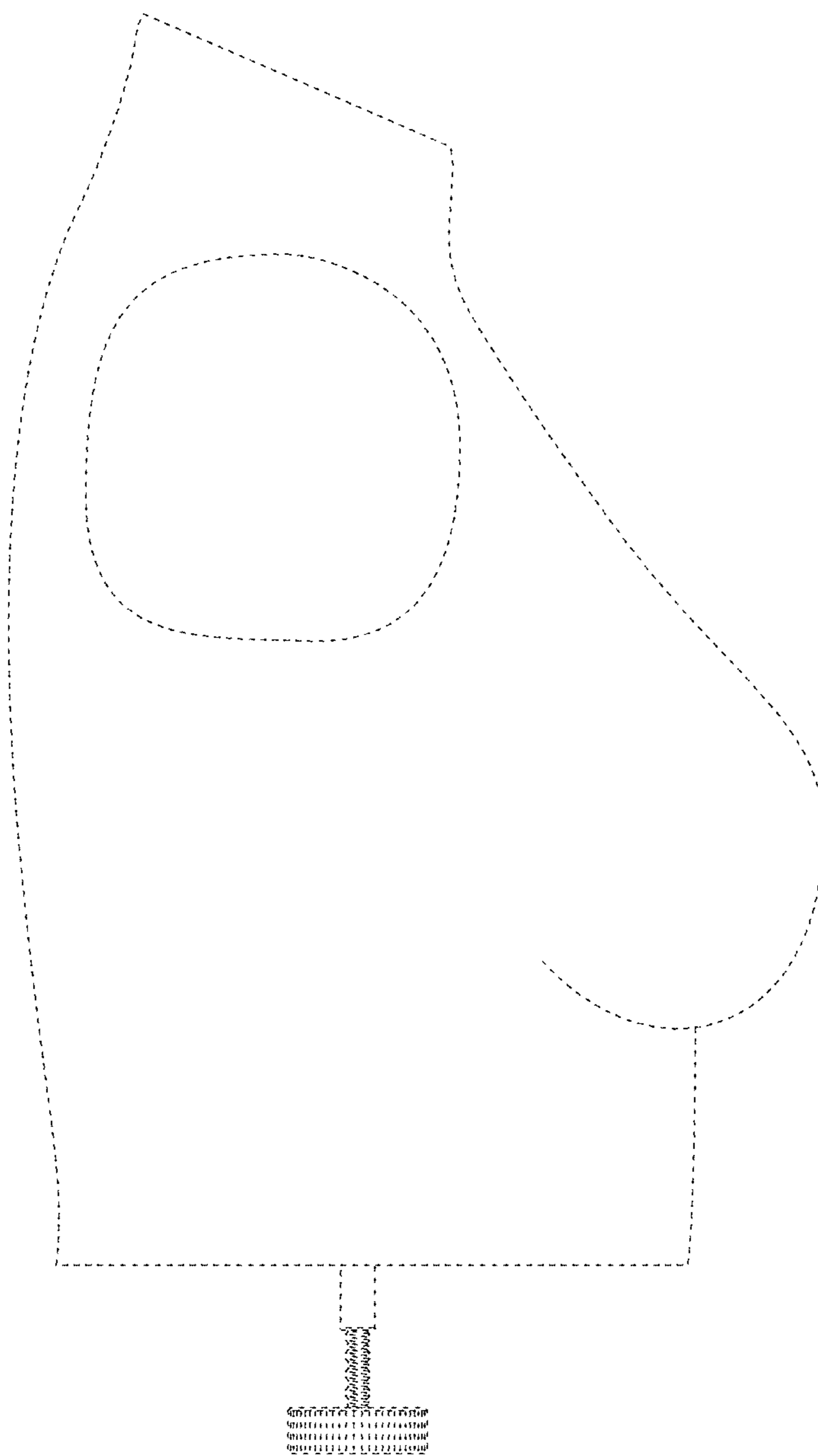


FIG. 13

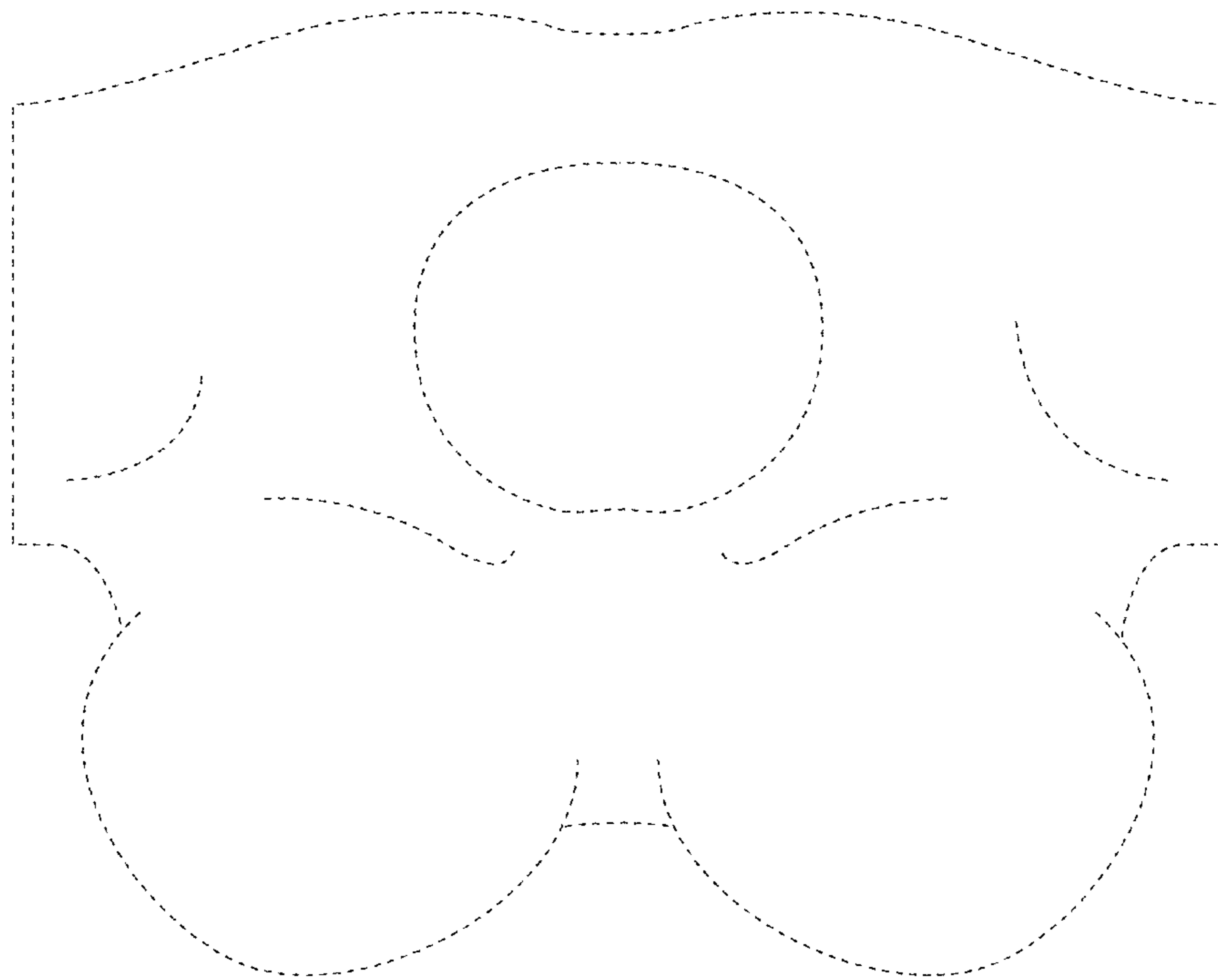


FIG. 14

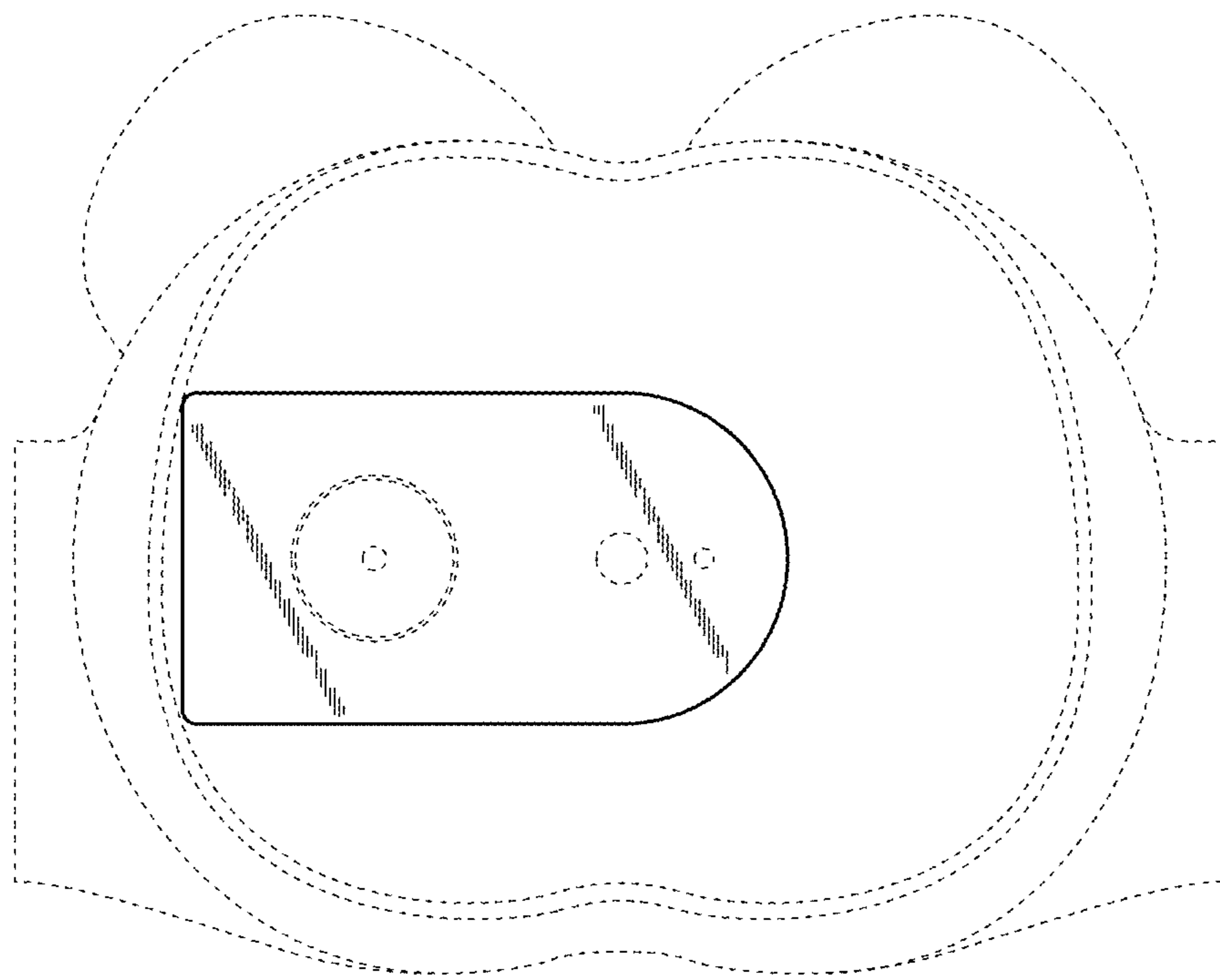


FIG. 15