



US00D806794S

(12) **United States Design Patent** (10) **Patent No.:** **US D806,794 S**
Goodman et al. (45) **Date of Patent:** **** Jan. 2, 2018**

(54) **ORGANIZER**

(71) Applicant: **Spectrum Diversified Designs, LLC**,
Streetsboro, OH (US)

(72) Inventors: **Aaron D. Goodman**, Beachwood, OH
(US); **Phaysouk Xayoiphonh**, Akron,
OH (US); **Wenyue Wang**, Stow, OH
(US)

(73) Assignee: **Spectrum Diversified Designs, LLC**,
Streetsboro, OH (US)

(**) Term: **15 Years**

(21) Appl. No.: **29/554,128**

(22) Filed: **Feb. 8, 2016**

(51) **LOC (11) Cl.** **19-02**

(52) **U.S. Cl.**
USPC **D19/90**

(58) **Field of Classification Search**
USPC D6/512-514, 552-553, 566, 567, 570,
D6/598, 651.1, 675, 675.4, 683, 683.1,
D6/705; D9/432; D19/26-31, 75, 77,
D19/85-92; D3/304
CPC A47B 63/00; A47B 23/044; A47B 47/02;
A47B 55/00; A47B 55/02; A47B 87/007;
A47B 87/02; B42F 7/145; B42F 17/12
See application file for complete search history.

(56) **References Cited**

U.S. PATENT DOCUMENTS

470,050 A * 3/1892 Jewell B42F 3/04
211/11

1,089,569 A * 3/1914 MacKinnon A45F 3/02
211/106

D118,443 S * 1/1940 Fisk et al. 248/465.1

2,892,548 A * 6/1959 Huff A47B 81/067
211/195

D191,520 S * 10/1961 Spielman D6/566

D209,455 S * 12/1967 Clark D6/407

D236,570 S * 9/1975 Dagarp D19/90

D294,956 S * 3/1988 Hagberg D19/77

D296,024 S * 5/1988 Hayden D32/55

D313,546 S * 1/1991 Beirise 211/35

5,111,940 A * 5/1992 VanNoord G11B 23/0236
211/162

D348,693 S * 7/1994 Tillyer, Sr. D19/86

D390,269 S * 2/1998 Fotioo D19/86

D421,062 S * 2/2000 Goodman D19/75

D421,273 S * 2/2000 Goodman D19/75

D519,000 S * 4/2006 Goodman D7/631

D539,101 S * 3/2007 Goodman D19/90

D539,613 S * 4/2007 Goodman D19/90

D550,284 S * 9/2007 Goodman D19/90

D568,056 S * 5/2008 Yarborough D6/315

D639,613 S * 6/2011 Goodman D19/90

D685,234 S * 7/2013 Goodman D7/632

D729,591 S * 5/2015 Goodman D7/624.1

* cited by examiner

Primary Examiner — Elizabeth Albert

(74) *Attorney, Agent, or Firm* — Renner, Otto, Boisselle
and Sklar, LLP

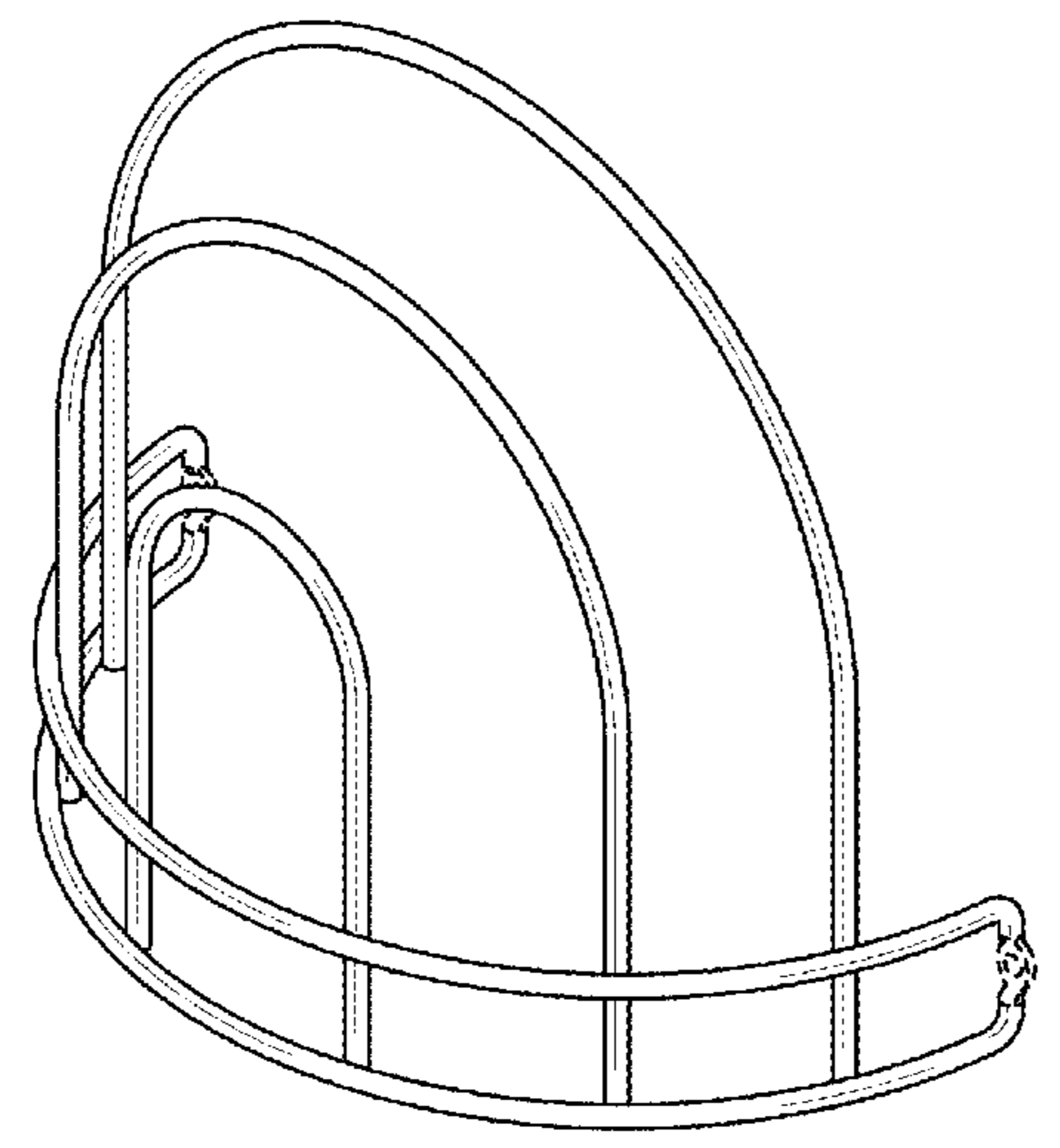
(57) **CLAIM**

The ornamental design for an organizer, as shown and
described.

DESCRIPTION

FIG. 1 is a perspective view of an organizer showing our
new design;
FIG. 2 is a front view thereof;
FIG. 3 is a rear view thereof;
FIG. 4 is a right side view thereof, a left side view being a
mirror image of the right side view;
FIG. 5 is a top view thereof; and,
FIG. 6 is a bottom view thereof.
The broken lines shown in the drawings are for illustrative
purposes only and form no part of the claimed design.

1 Claim, 4 Drawing Sheets



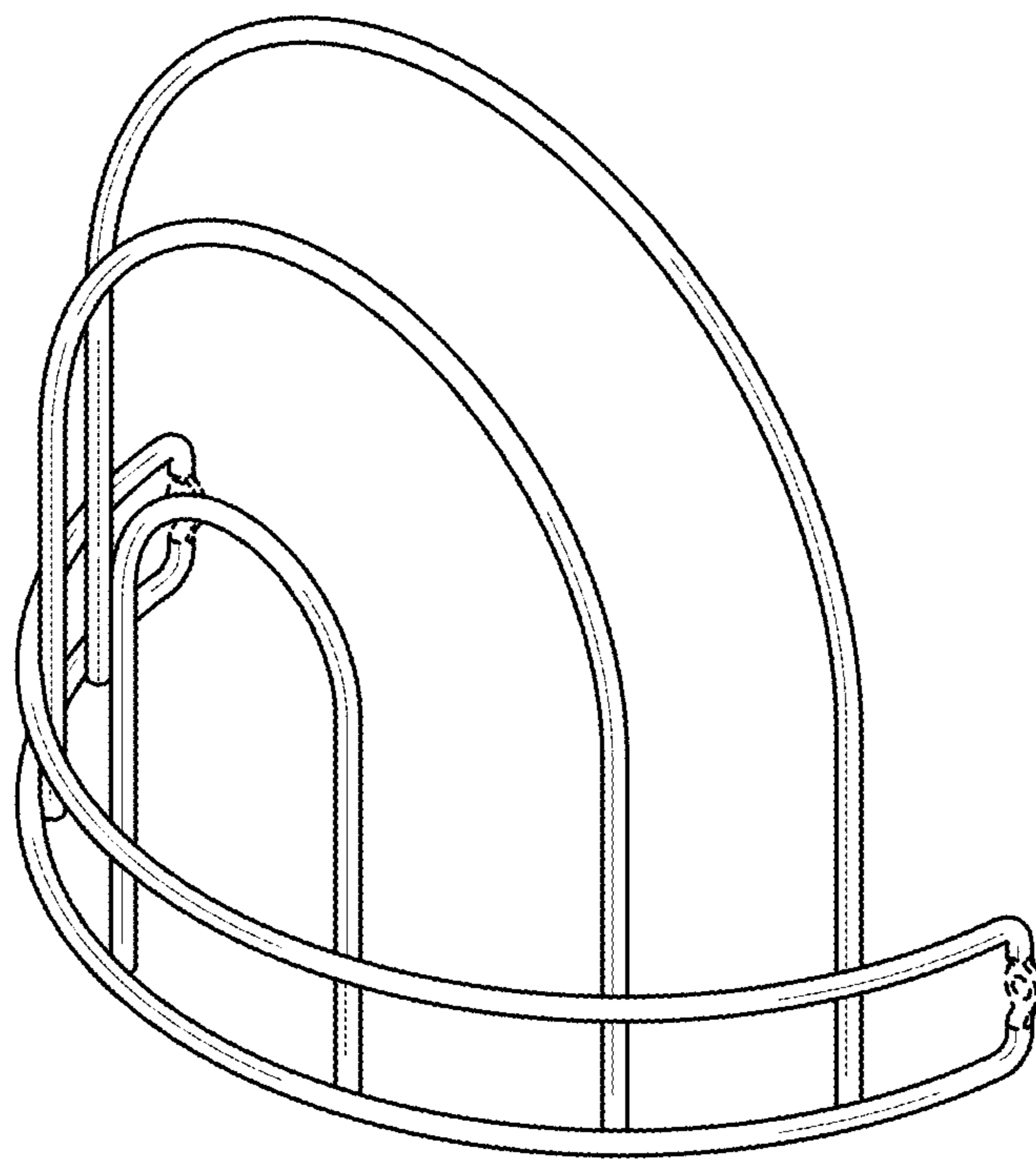


FIG. 1

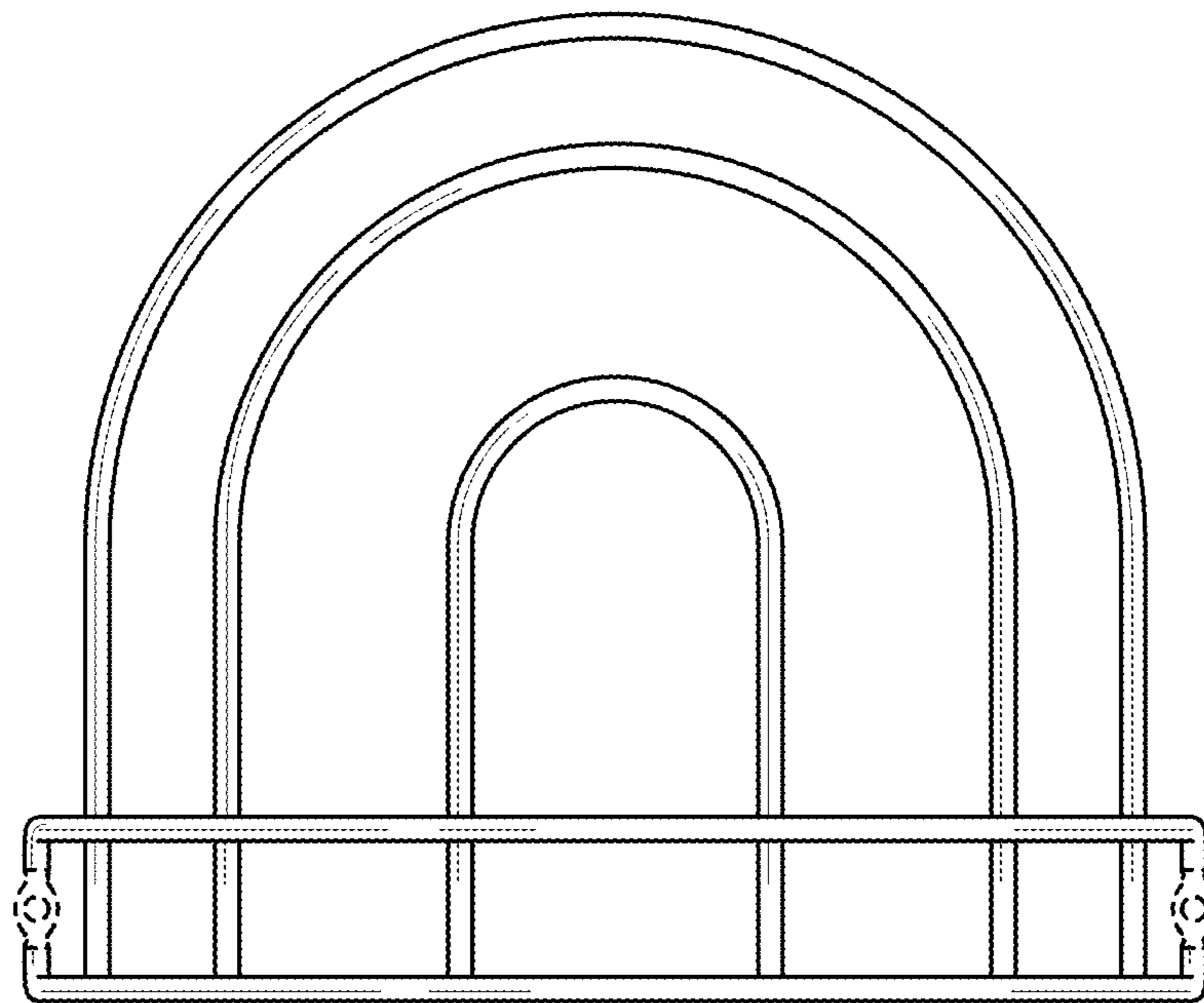


FIG. 2

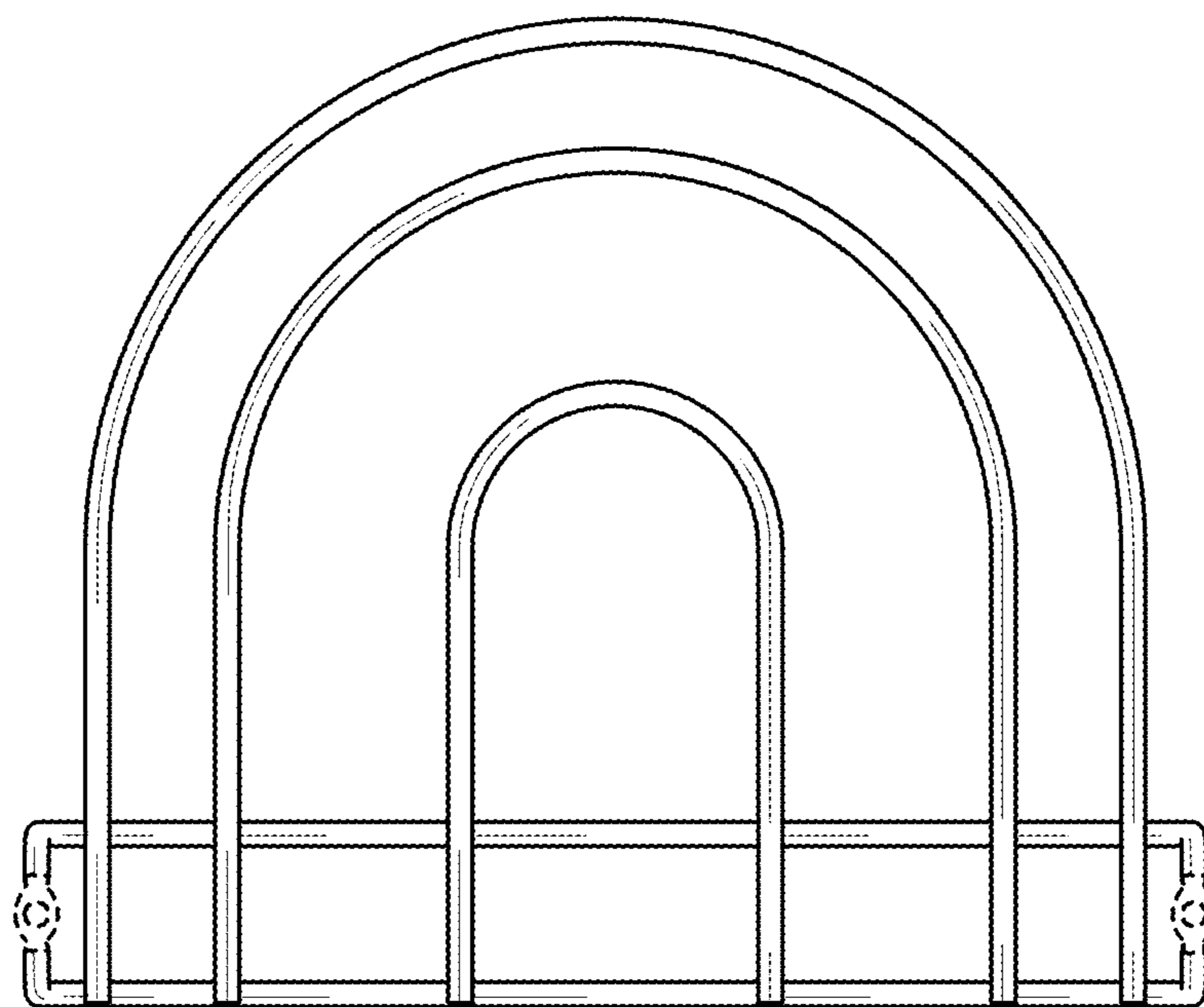


FIG. 3

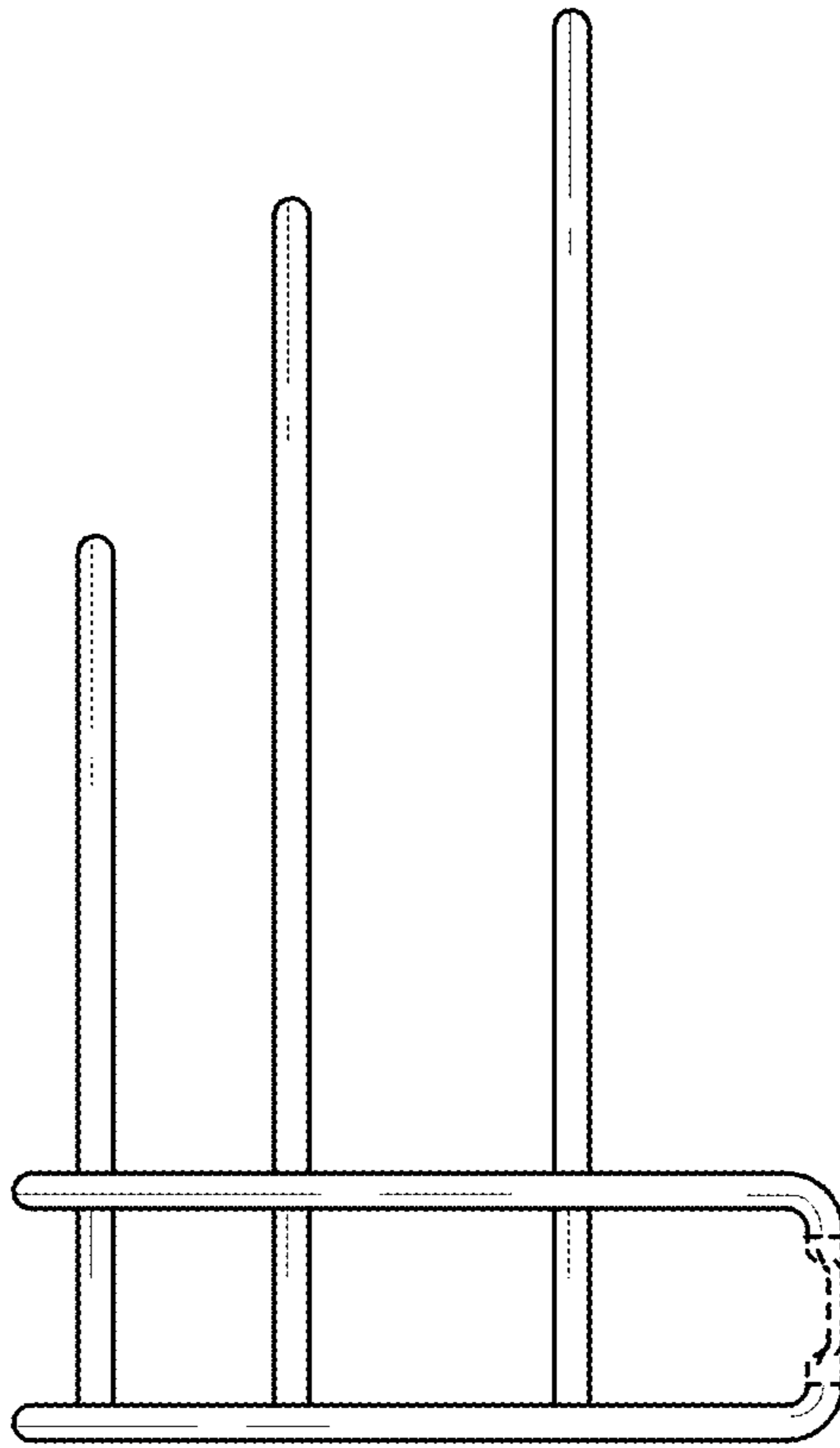


FIG. 4

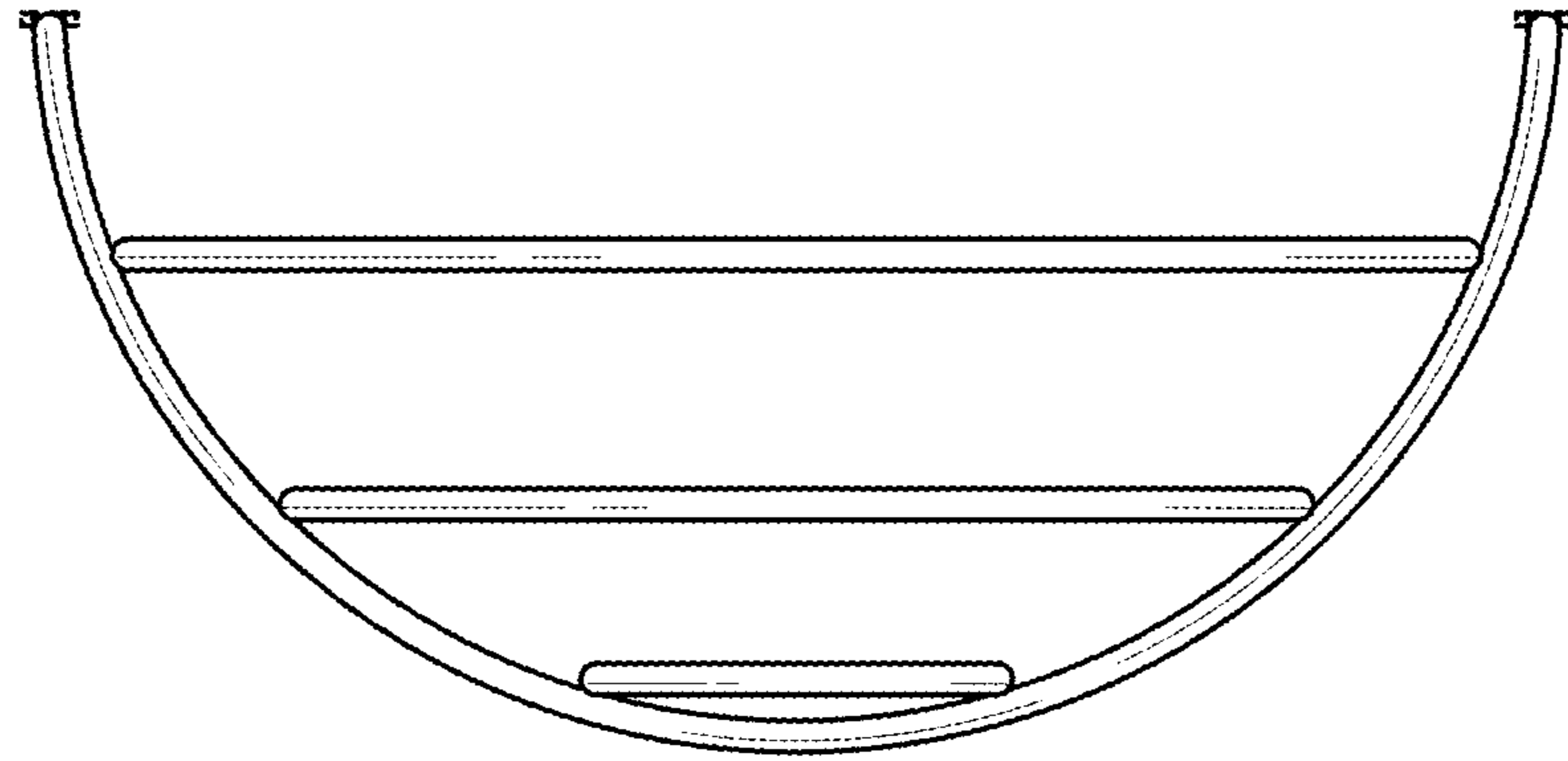


FIG. 5

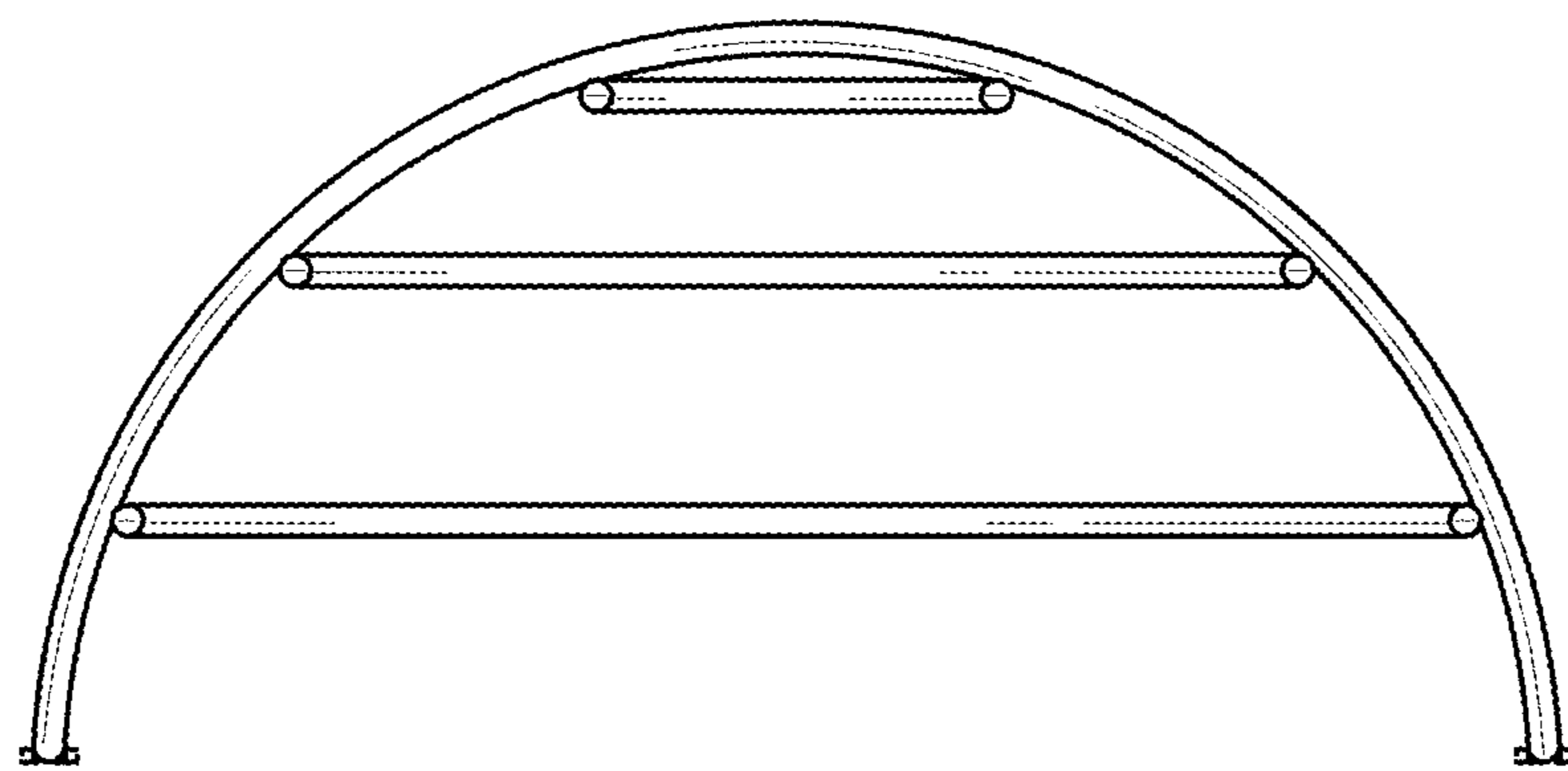


FIG. 6