



US00D806792S

(12) **United States Design Patent** (10) **Patent No.:** **US D806,792 S**  
**Larson** (45) **Date of Patent:** **\*\* Jan. 2, 2018**

(54) **PRINTER**

(71) Applicant: **Hewlett-Packard Development Company, L.P.**, Houston, TX (US)  
(72) Inventor: **David B. Larson**, Boise, ID (US)  
(73) Assignee: **Hewlett-Packard Development Company, L.P.**, Houston, TX (US)  
(\*\*) Term: **15 Years**  
(21) Appl. No.: **29/555,809**  
(22) Filed: **Feb. 25, 2016**  
(51) **LOC (11) Cl.** ..... **18-02**  
(52) **U.S. Cl.**  
USPC ..... **D18/55**  
(58) **Field of Classification Search**  
USPC ..... D18/12, 14, 18, 19, 36, 37, 38, 39, 43, D18/50, 54, 54.1, 55, 56, 99; D14/420, D14/421, 422, 423, 424, 425, 462, 463, D14/464, 465, 466, 467, 668, 469, 470, D14/480.5, 483, 484  
CPC . B41J 31/16; B41J 32/02; B41J 19/202; B41J 29/377; B41J 15/042; B41J 3/4075; B41J 11/58; B41J 15/12; B41J 29/02; B41J 17/00  
See application file for complete search history.

(56) **References Cited**

**U.S. PATENT DOCUMENTS**

|              |         |          |       |        |
|--------------|---------|----------|-------|--------|
| D647,958 S * | 11/2011 | Yoshioka | ..... | D18/50 |
| D673,213 S * | 12/2012 | Kim      | ..... | D18/55 |
| D676,483 S * | 2/2013  | Kim      | ..... | D18/50 |
| D678,941 S * | 3/2013  | Gilbert  | ..... | D18/55 |
| D697,966 S * | 1/2014  | Fukasawa | ..... | D18/55 |
| D697,967 S * | 1/2014  | Fukasawa | ..... | D18/55 |
| D698,389 S * | 1/2014  | Fukasawa | ..... | D18/55 |
| D718,383 S * | 11/2014 | Lo       | ..... | D18/55 |
| D727,417 S * | 4/2015  | Huang    | ..... | D18/55 |

(Continued)

**OTHER PUBLICATIONS**

HP PageWide Enterprise Color 556xh, [online], [site visited Aug. 15, 2017]. Available from Internet, URL:<http://store.hp.com/us/en/pdp/hp-pagewide-enterprise-color-556xh>.  
(Continued)

*Primary Examiner* — Caron D Veynar  
*Assistant Examiner* — Katrina N Gonzalez  
(74) *Attorney, Agent, or Firm* — Morgan, Lewis & Bockius LLP

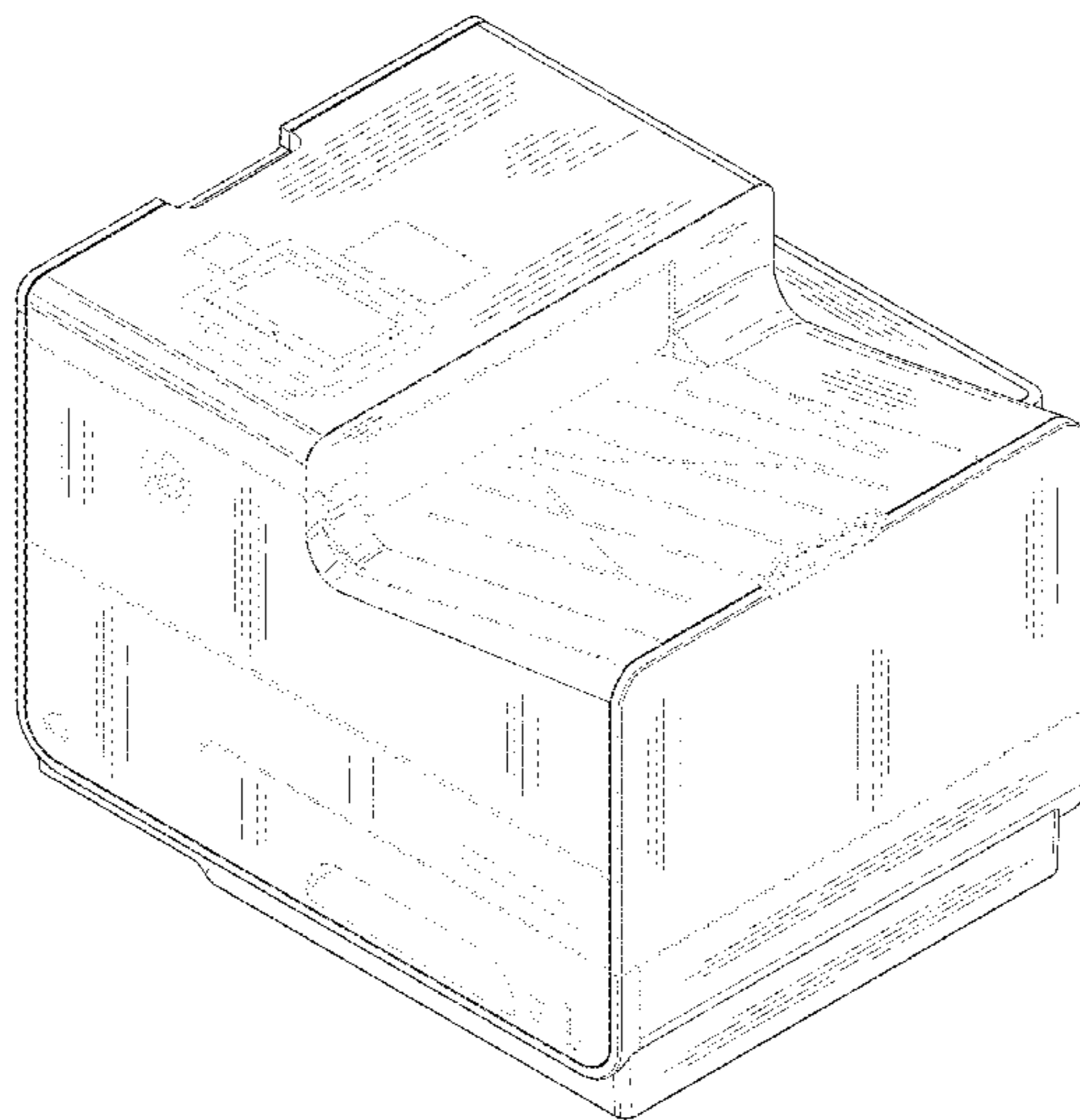
(57) **CLAIM**

The ornamental design for a printer, as shown and described.

**DESCRIPTION**

FIG. 1 is a top, front, left perspective view of a printer in accordance with my new design;  
FIG. 2 is a front, right, top, perspective view of the printer shown in FIG. 1;  
FIG. 3 is a rear, right, top, perspective view of the printer shown in FIG. 1;  
FIG. 4 is a rear, left, top, perspective view of the printer shown in FIG. 1;  
FIG. 5 is a front elevational view of the printer shown in FIG. 1;  
FIG. 6 is a rear elevational view of the printer shown in FIG. 1;  
FIG. 7 is a left-side elevational view of the printer shown in FIG. 1;  
FIG. 8 is a right-side elevational view of the printer shown in FIG. 1;  
FIG. 9 is a top plan view of the printer in FIG. 1; and,  
FIG. 10 is a bottom plan view of the printer shown in FIG. 1.  
The broken lines shown in the drawings represent portions of the printer that form no part of the claimed design.

**1 Claim, 10 Drawing Sheets**



(56)

**References Cited**

U.S. PATENT DOCUMENTS

D742,450 S \* 11/2015 Larson ..... D18/50  
D749,168 S \* 2/2016 Nakagawa ..... D18/50  
D765,080 S \* 8/2016 Su ..... D14/421  
D769,965 S \* 10/2016 Clark, III ..... D18/55  
D792,924 S \* 7/2017 Dwyer ..... D18/56

OTHER PUBLICATIONS

HP PageWide Pro 552dw Printer, [online], [site visited Aug. 15, 2017]. Available from Internet, URL:<http://store.hp.com/us/en/pdp/hp-pagewide-pro-552dw-printer>.\*

\* cited by examiner

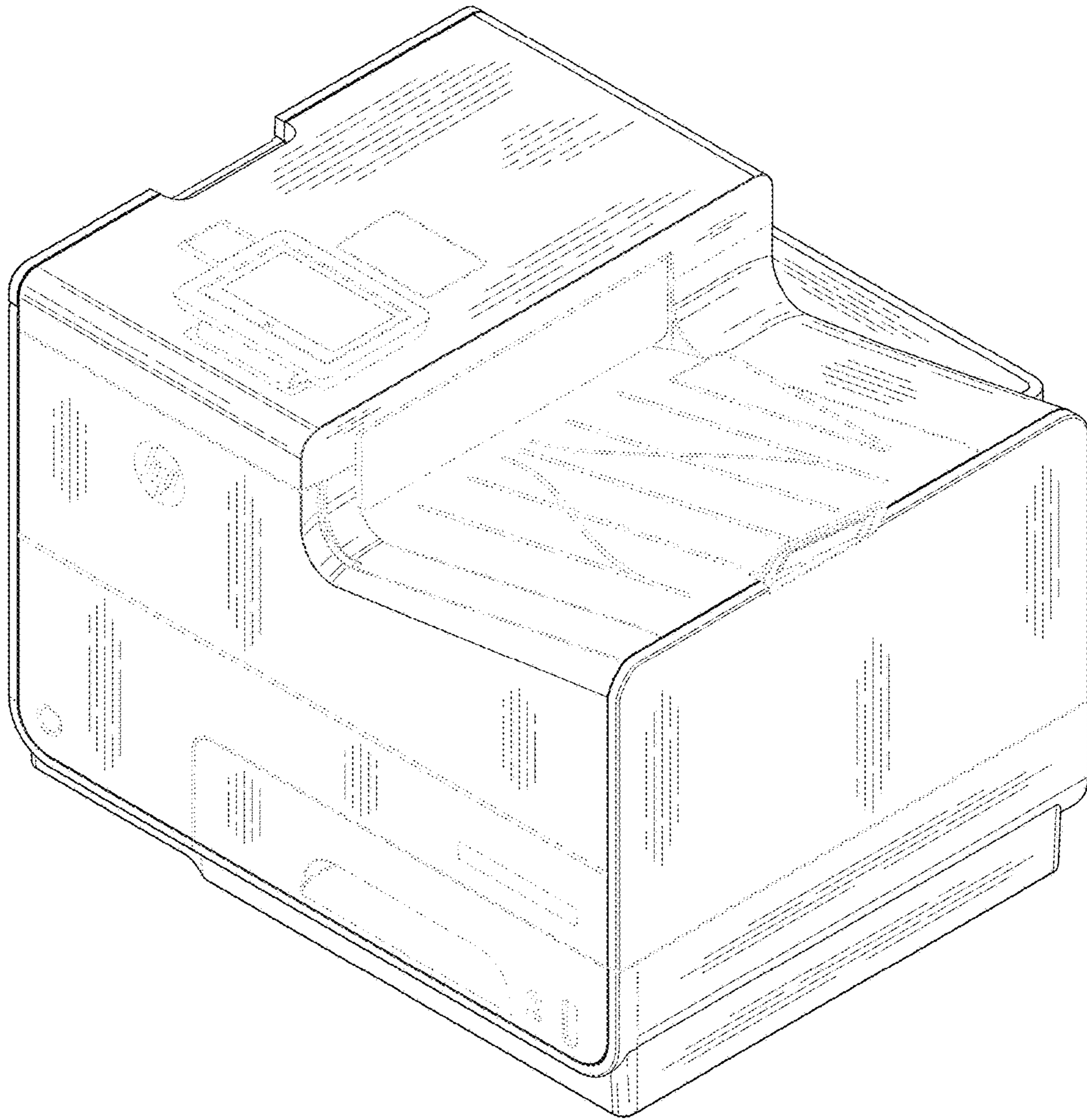


FIG. 1

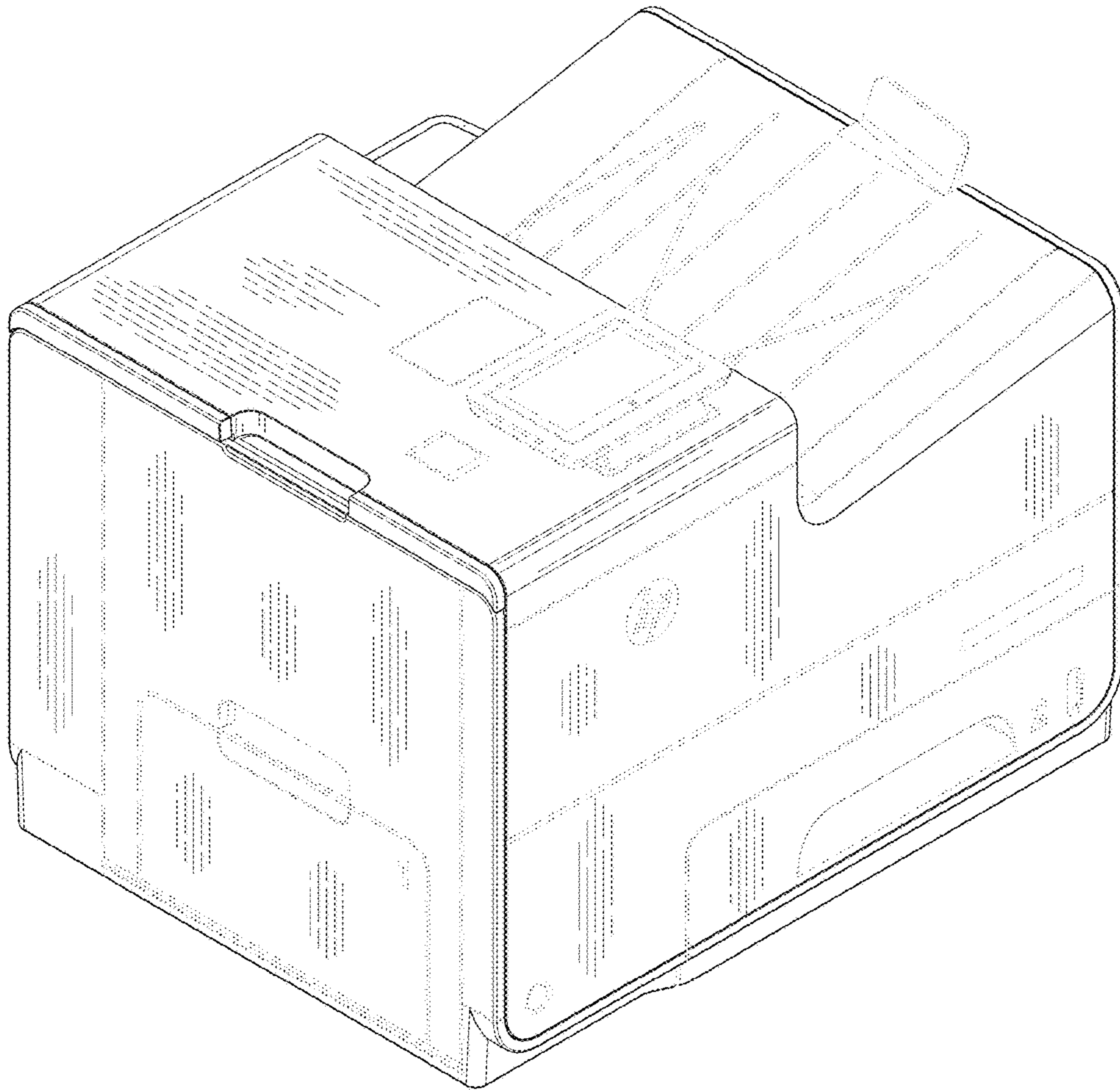


FIG. 2

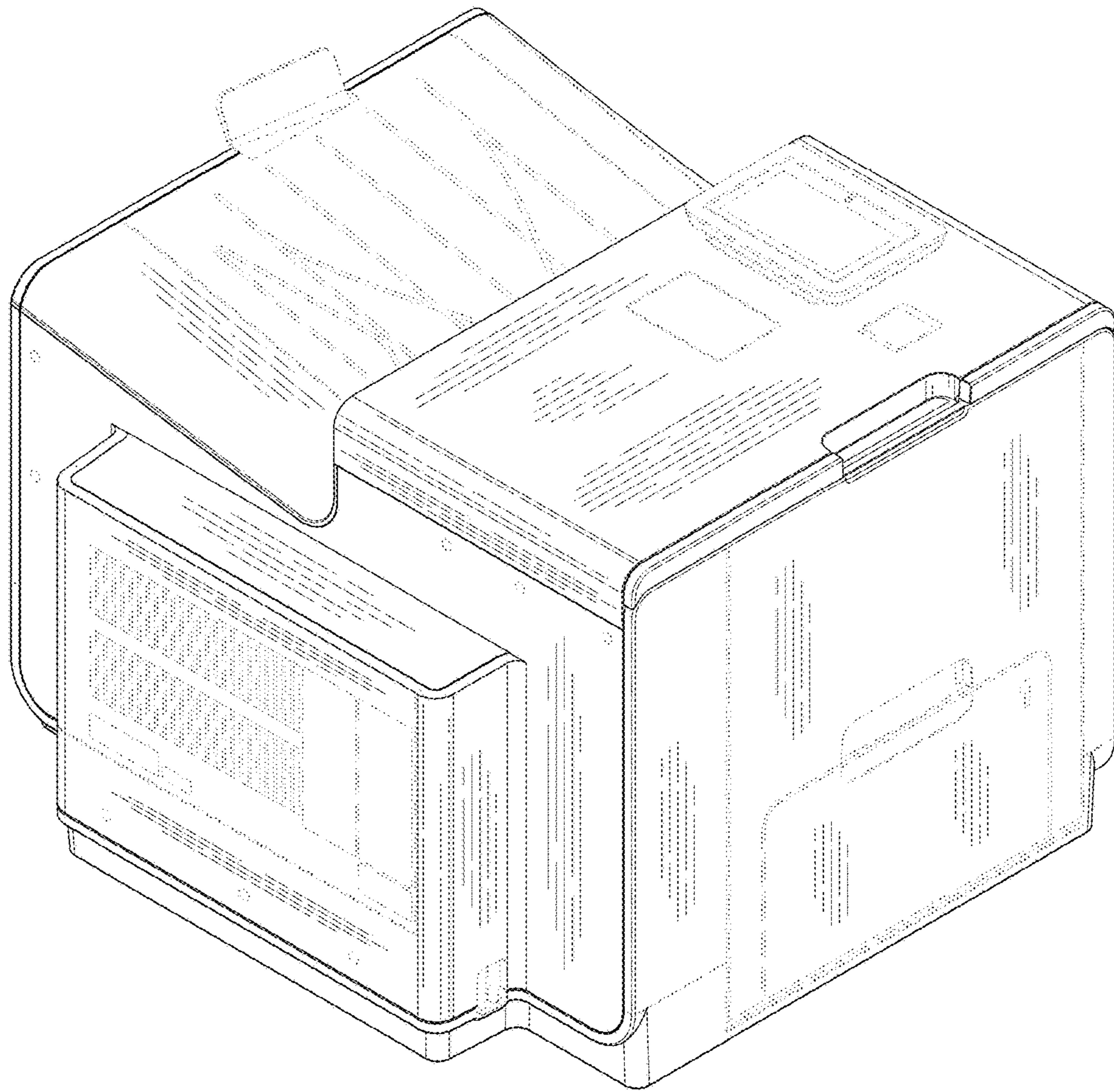


FIG. 3

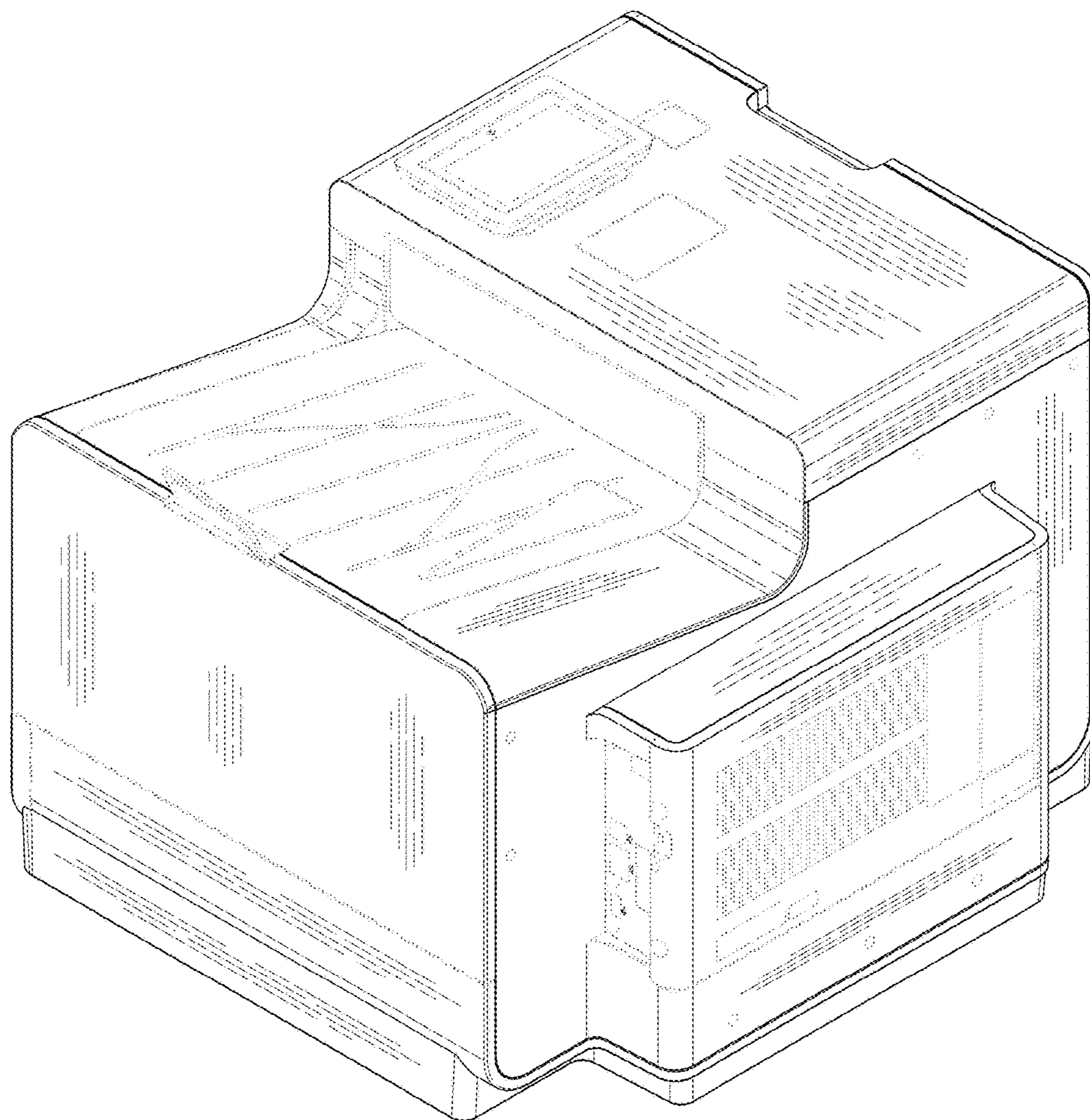


FIG. 4

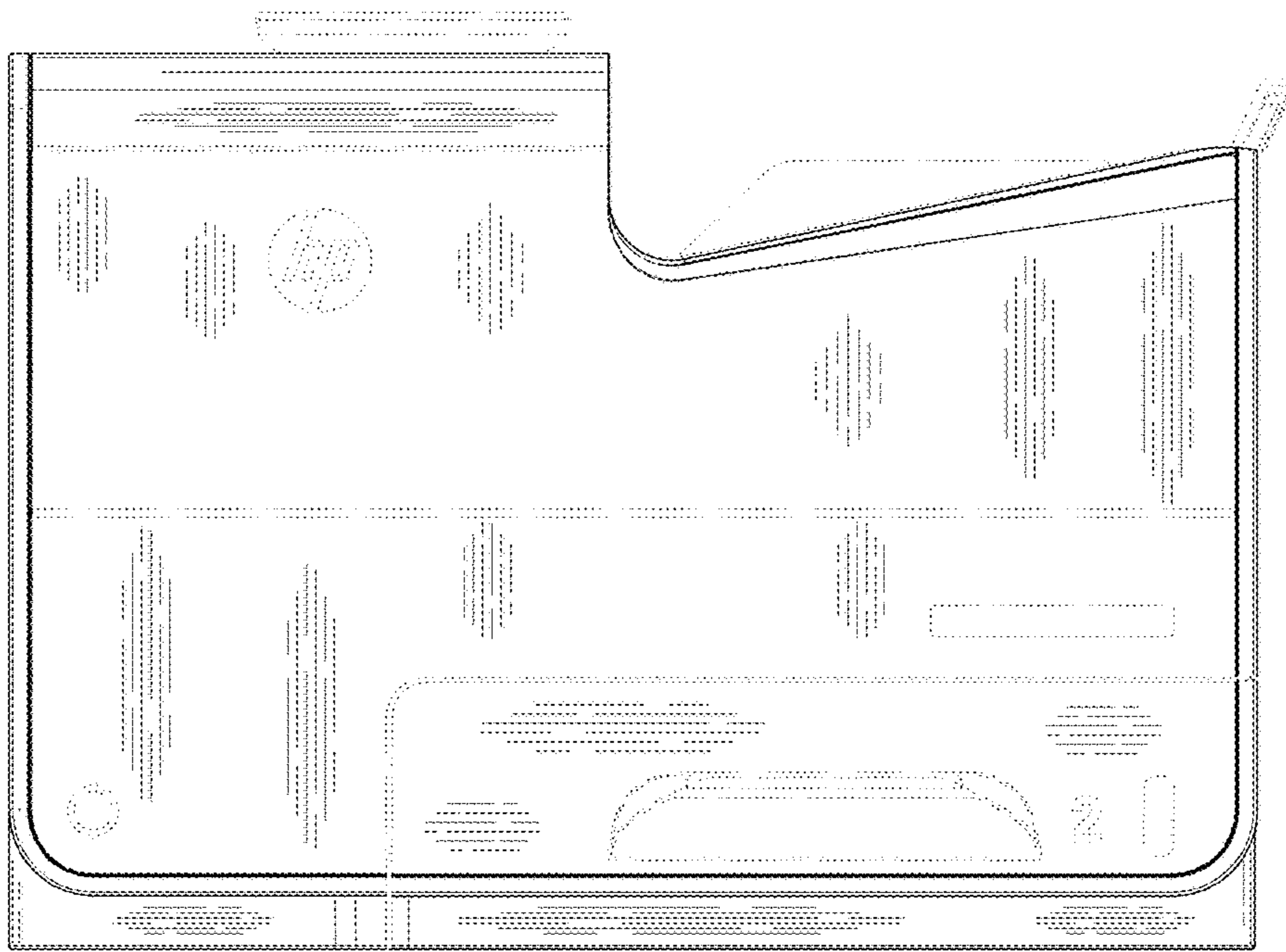


FIG. 5

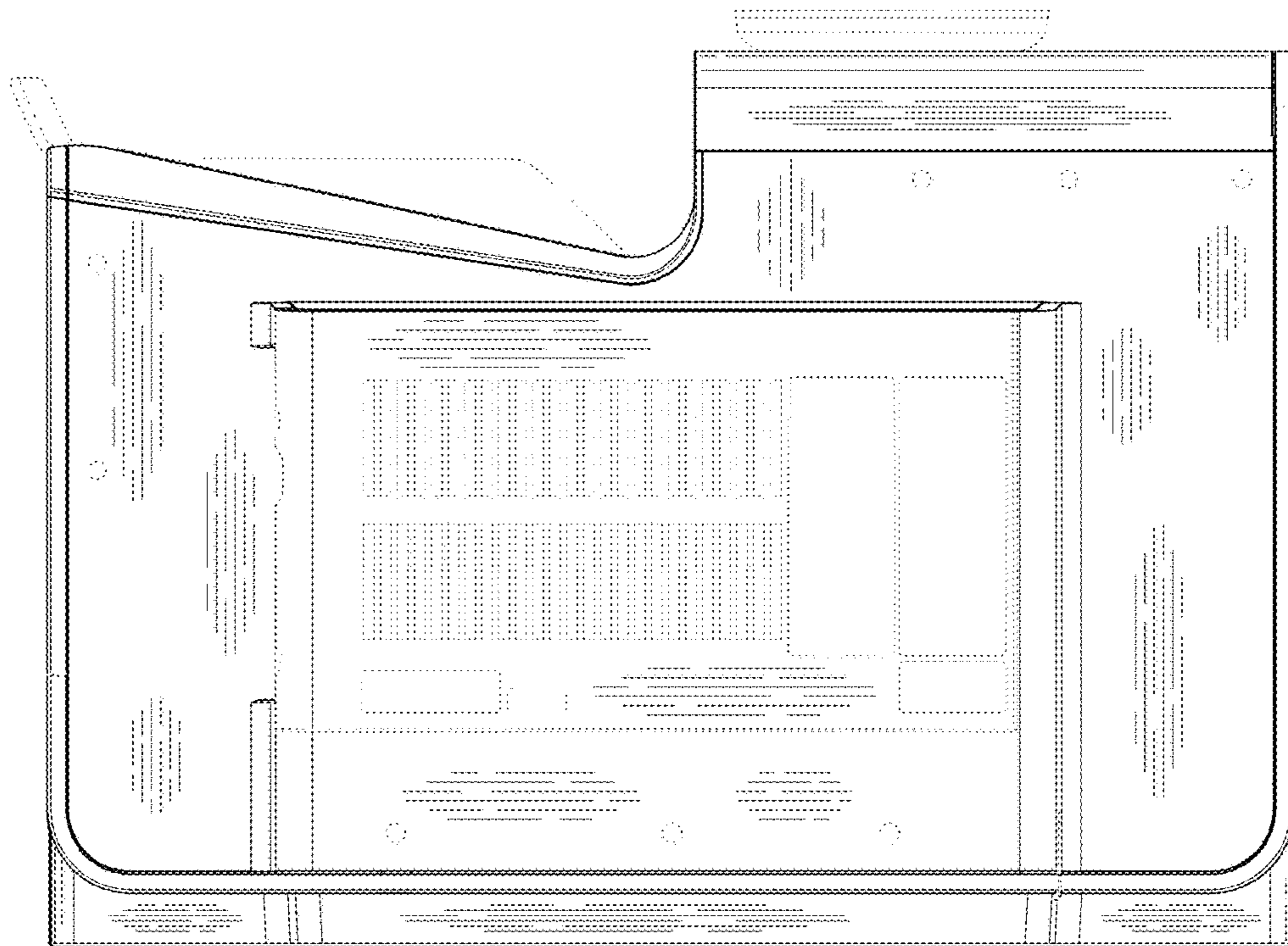


FIG. 6



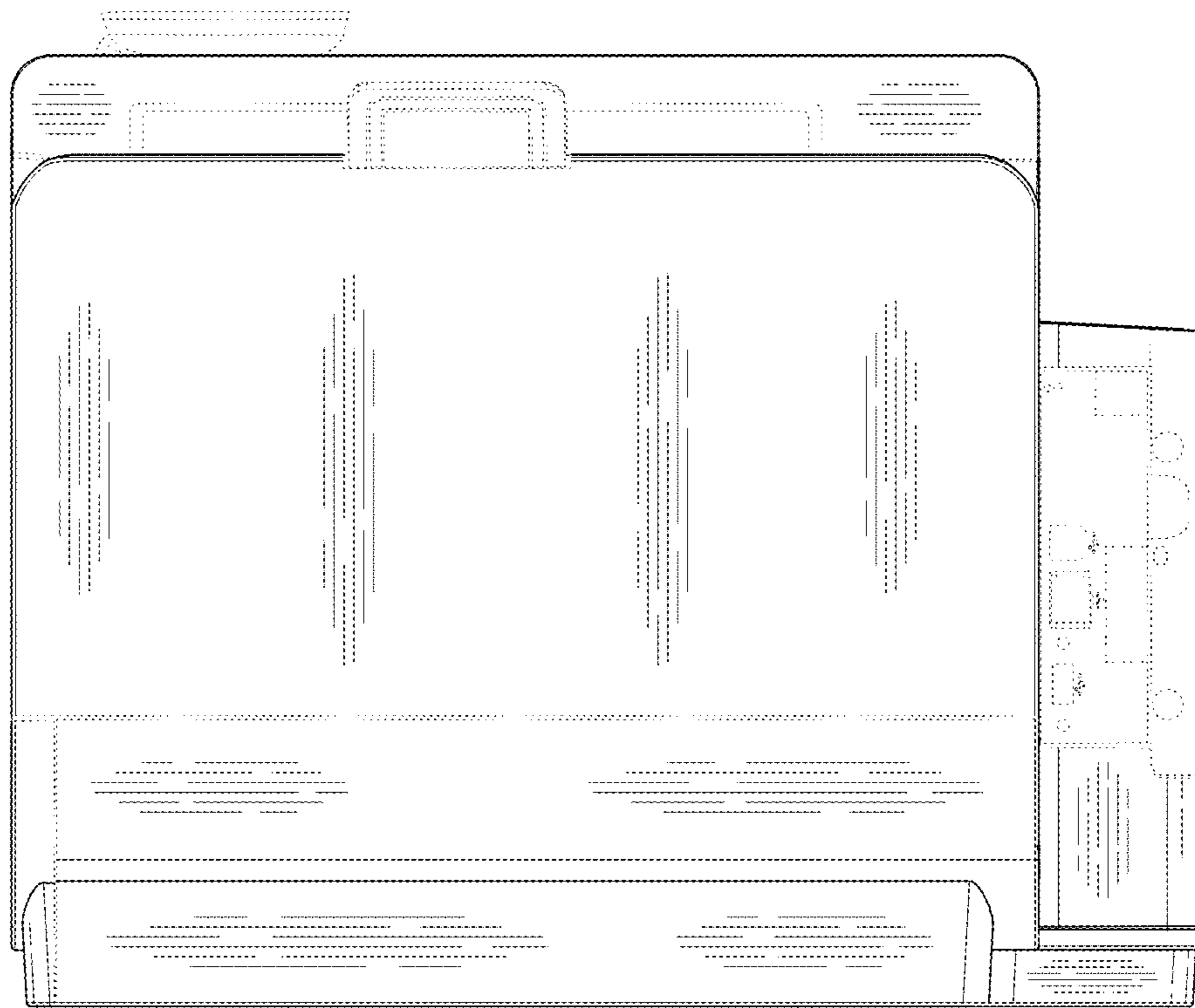


FIG. 7

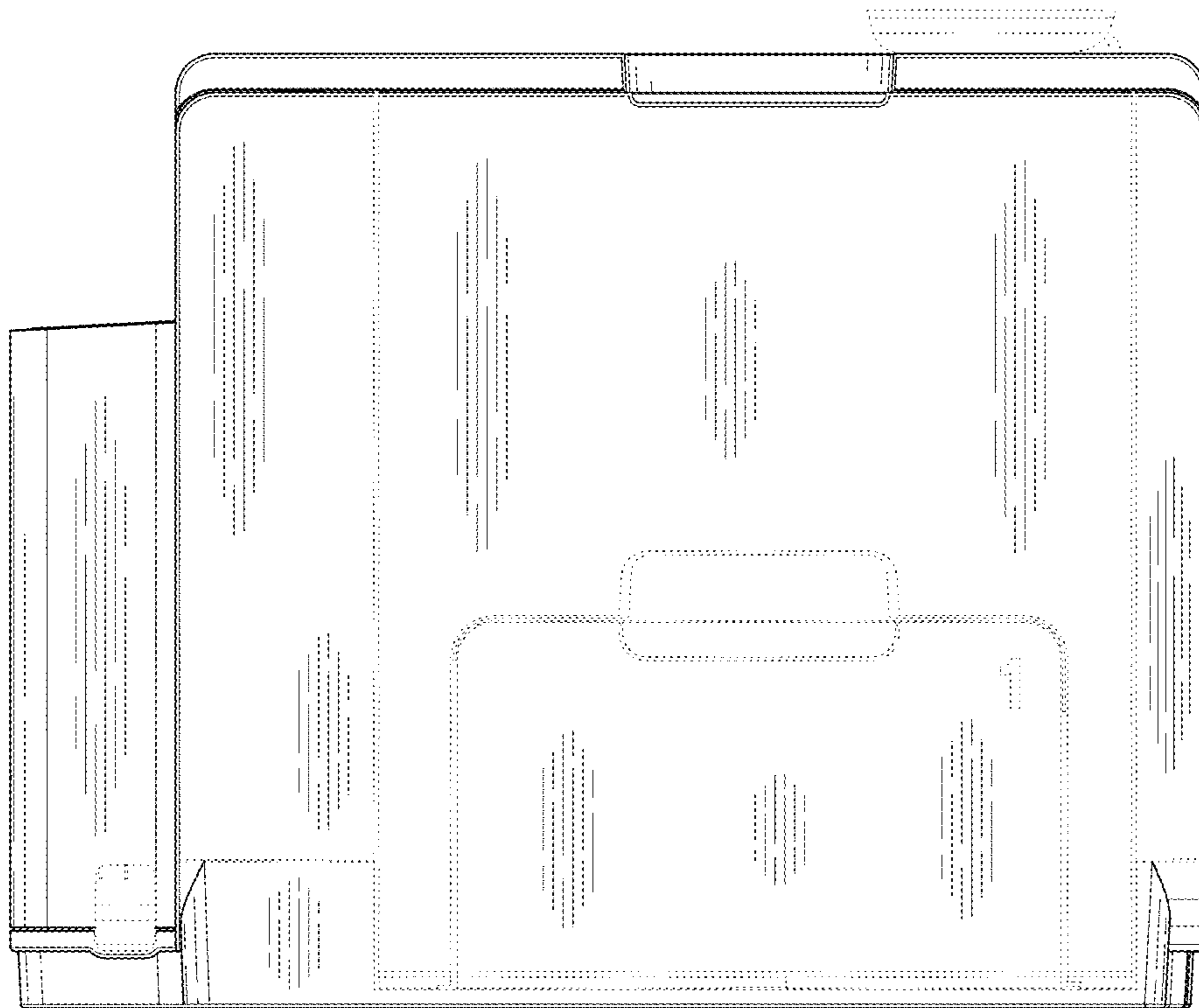


FIG. 8

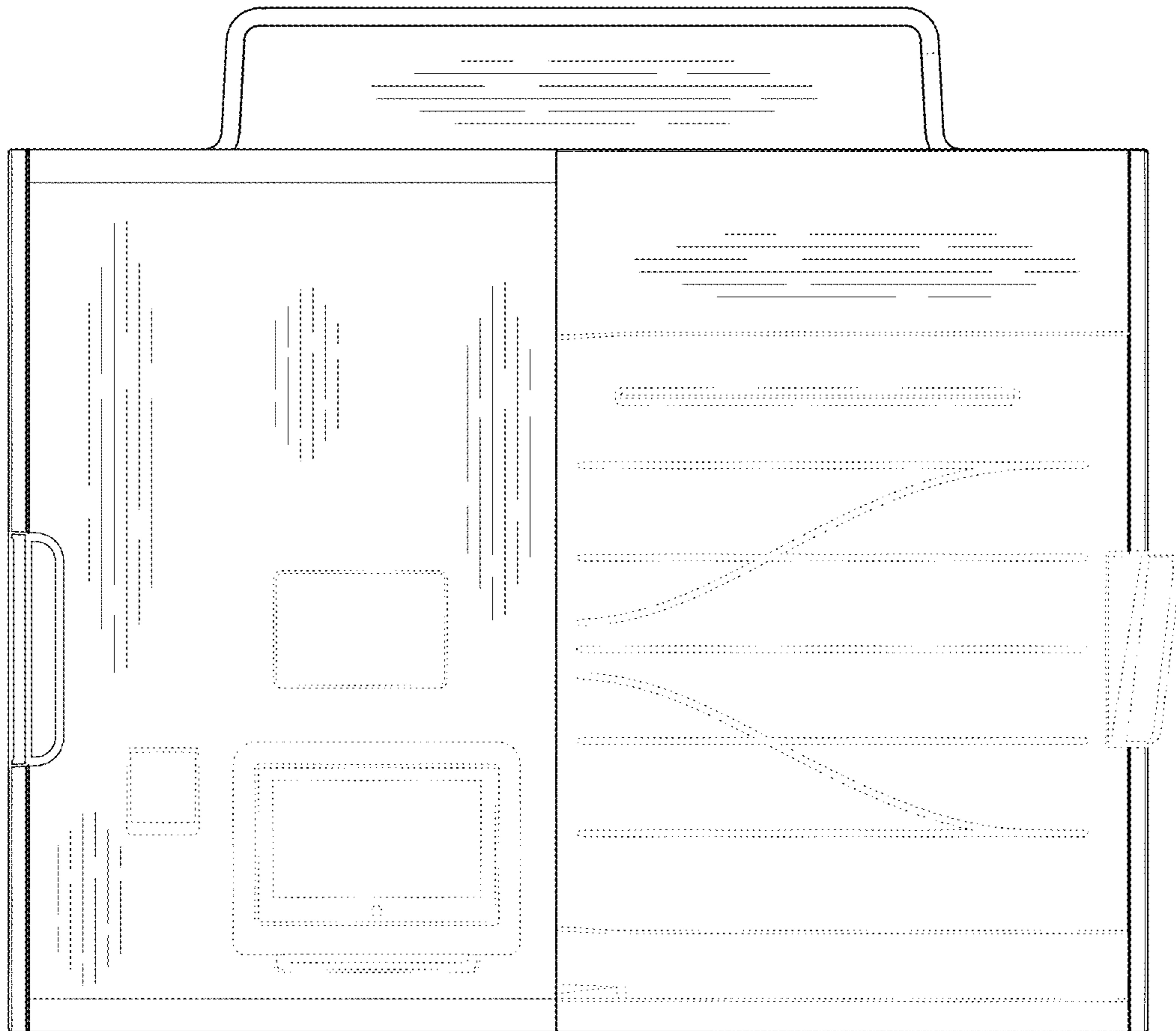


FIG. 9

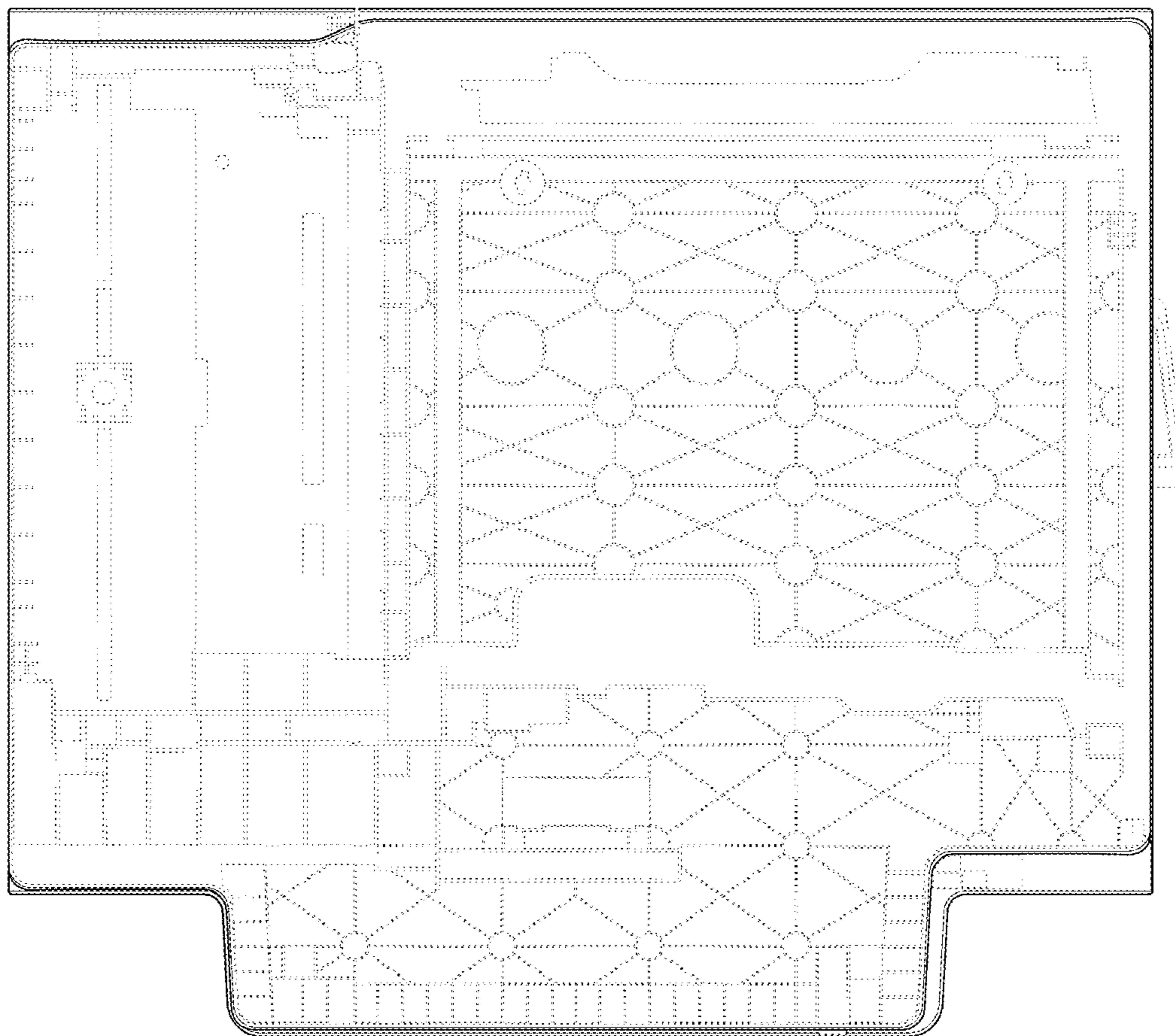


FIG. 10