



US00D806790S

(12) **United States Design Patent** (10) **Patent No.:** **US D806,790 S**
Sato (45) **Date of Patent:** **** Jan. 2, 2018**

(54) PRINTER	D667,051 S * 9/2012 Sato D18/50
	D675,673 S * 2/2013 Sato D18/50
(71) Applicant: BROTHER INDUSTRIES, LTD., Nagoya-shi, Aichi-ken (JP)	D678,402 S * 3/2013 Sato D18/50
	8,908,233 B2 * 12/2014 Ohama B41J 29/13 271/10.01
(72) Inventor: Yukihiko Sato, Nagoya (JP)	D722,109 S * 2/2015 Nanno D18/50
	D730,437 S * 5/2015 Seki D18/50
(73) Assignee: BROTHER INDUSTRIES, LTD., Nagoya (JP)	D737,895 S * 9/2015 Nanno D18/50
	D743,484 S * 11/2015 Nanno D18/50
	D744,031 S * 11/2015 Tanaka D18/50
(**) Term: 15 Years	D752,138 S * 3/2016 Seki D18/50
	D752,139 S * 3/2016 Seki D18/50
(21) Appl. No.: 29/542,305	D758,483 S * 6/2016 Seki D18/50
	D770,565 S * 11/2016 Tanaka D18/50
(22) Filed: Oct. 13, 2015	2014/0139986 A1 * 5/2014 Osakabe H04N 1/00554 361/679.01

* cited by examiner

(30) **Foreign Application Priority Data**

Apr. 13, 2015 (JP) 2015-8288

(51) **LOC (11) Cl.** **14-02**

(52) **U.S. Cl.**
USPC **D18/50**

(58) **Field of Classification Search**

USPC D18/36-39, 50, 54, 54.1, 55;
D14/420-425, 462-470

CPC . B41J 3/4075; B41J 11/58; B41J 15/12; B41J
15/42; B41J 17/00; B41J 29/08; B41J
29/02

See application file for complete search history.

(56) **References Cited**

U.S. PATENT DOCUMENTS

4,893,137 A * 1/1990 Ebinuma B41J 2/1652
346/134

D573,179 S * 7/2008 Bae D18/50

Primary Examiner — Cathy Anne MacCormac

(74) *Attorney, Agent, or Firm* — Oliff PLC

(57) **CLAIM**

The ornamental design for a printer, as shown and described.

DESCRIPTION

FIG. 1 is a perspective view of a printer;

FIG. 2 is a front view thereof;

FIG. 3 is a top view thereof;

FIG. 4 is a right-side view thereof;

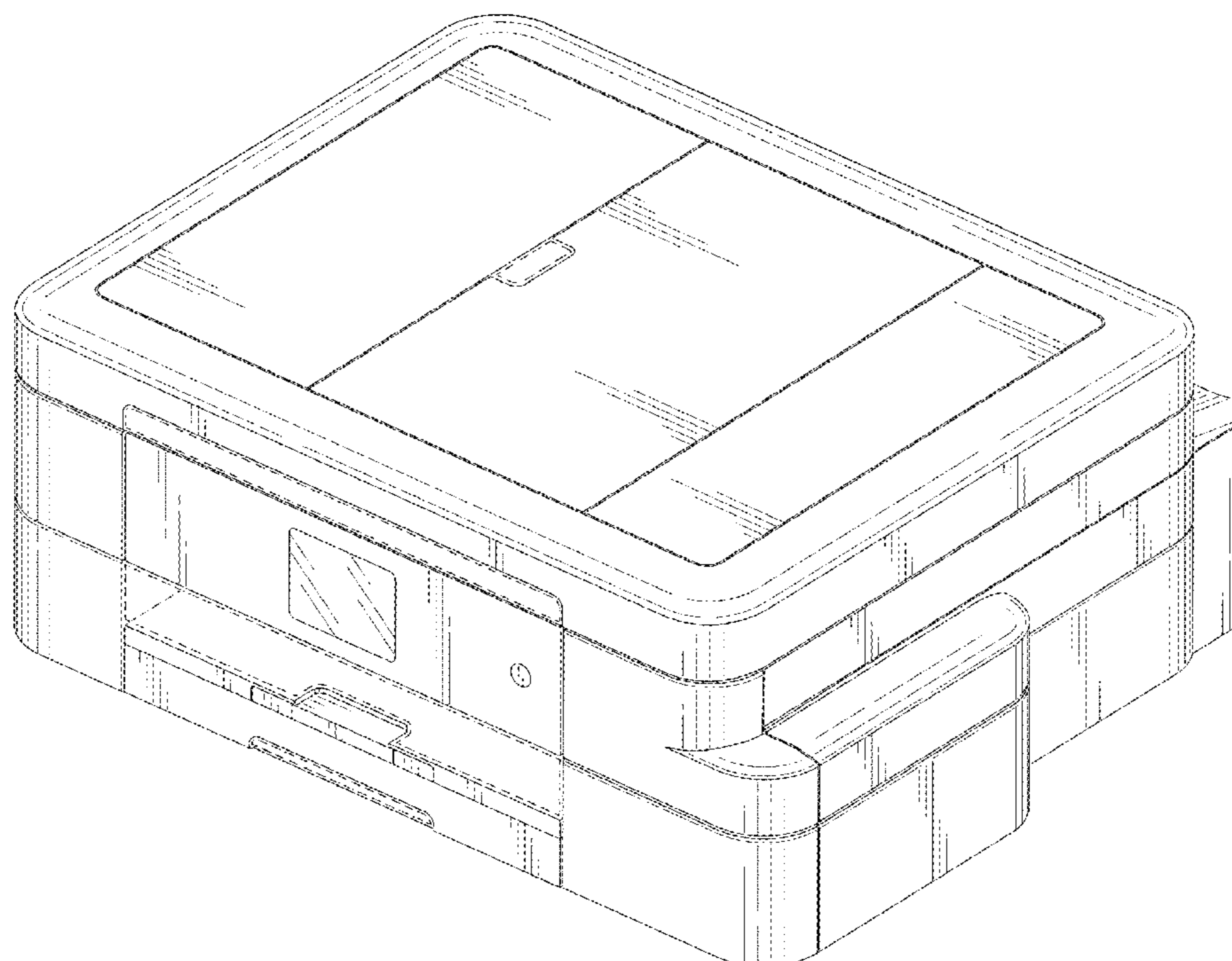
FIG. 5 is a left-side view thereof;

FIG. 6 is a rear view thereof; and,

FIG. 7 is a bottom view thereof.

The broken lines depict environmental subject matter only and form no part of the claimed design.

1 Claim, 4 Drawing Sheets



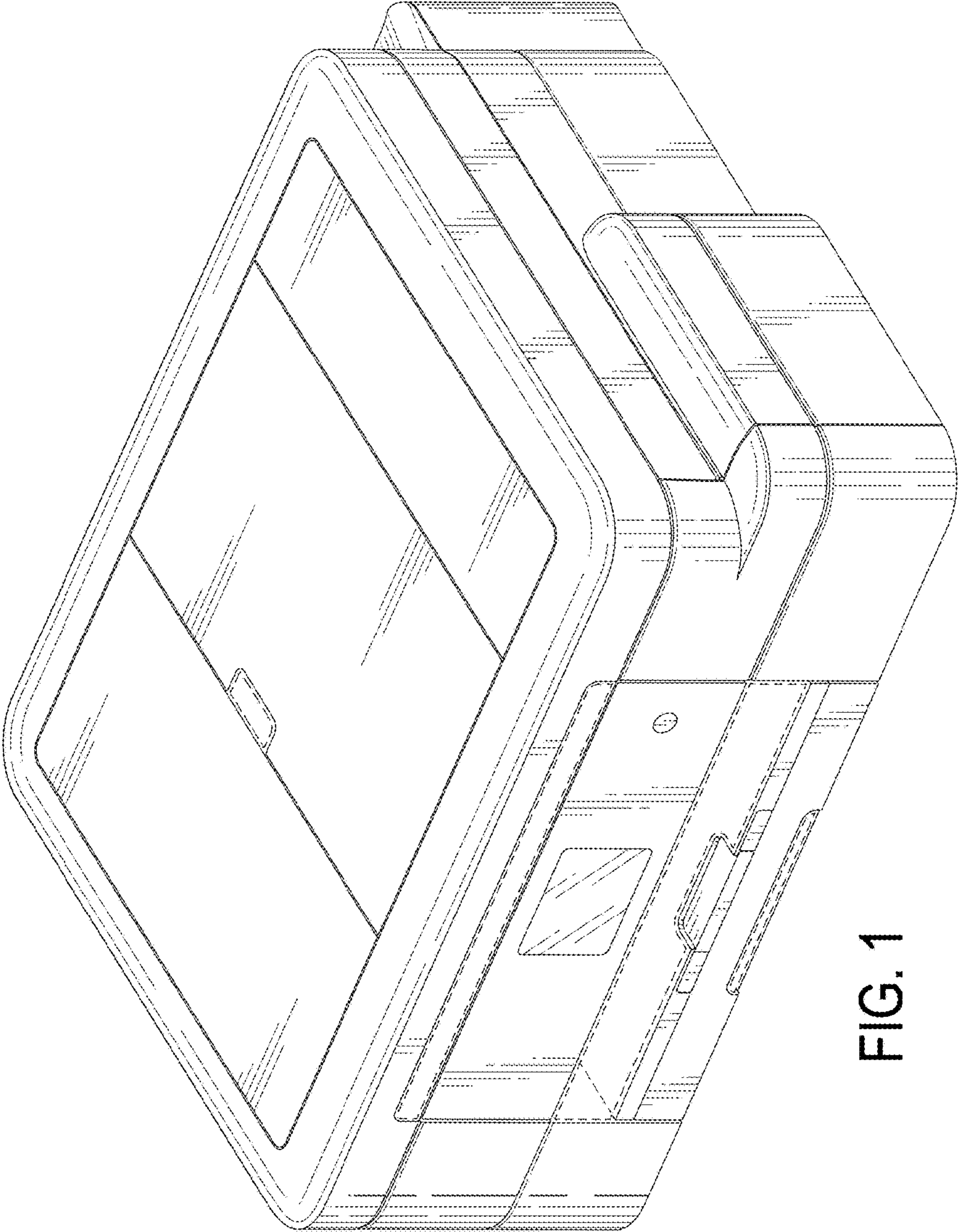


FIG. 1

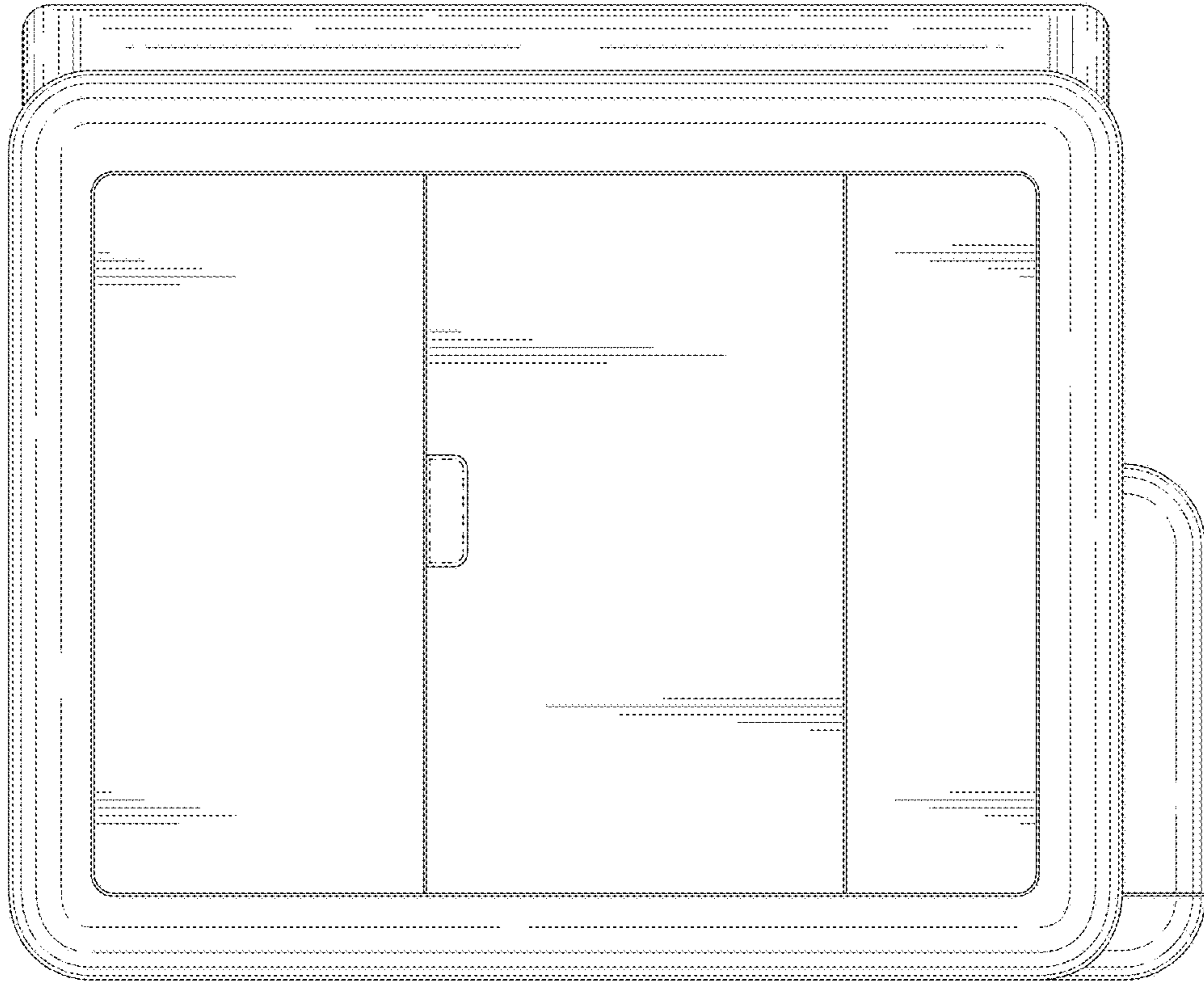


FIG. 3

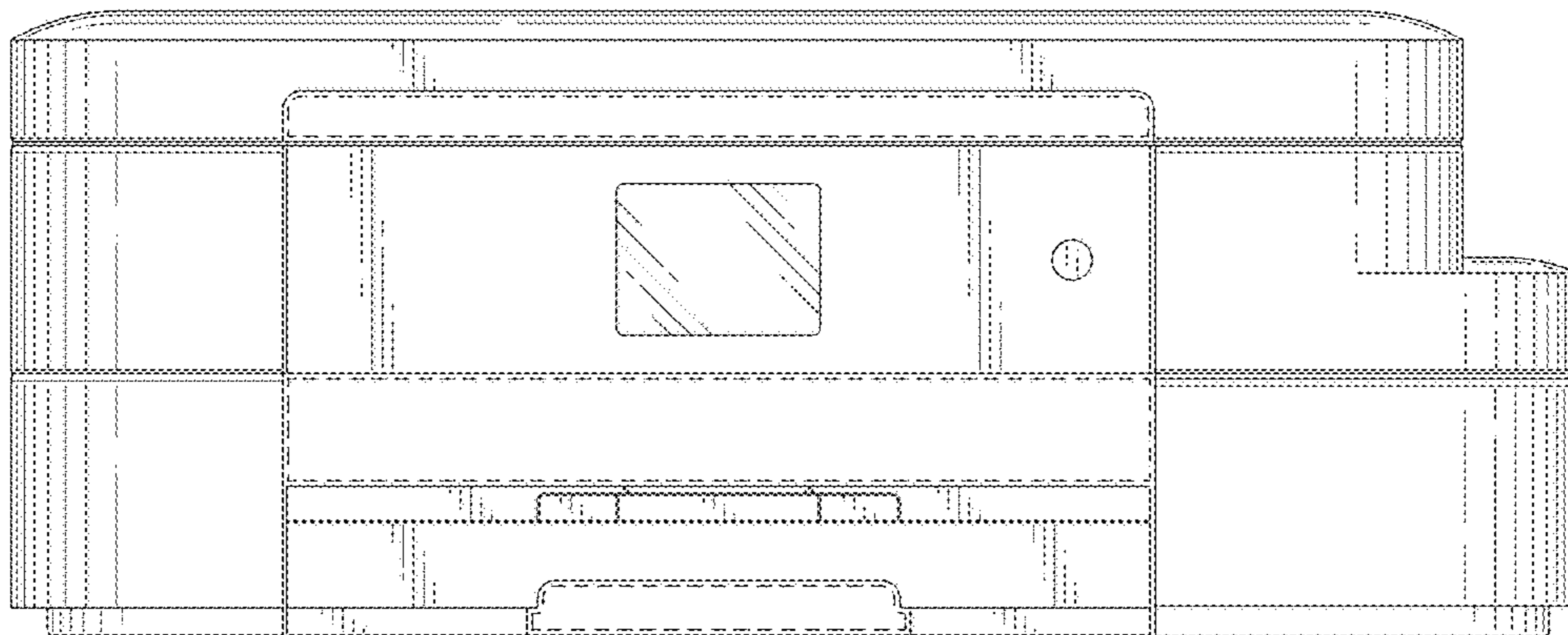


FIG. 2

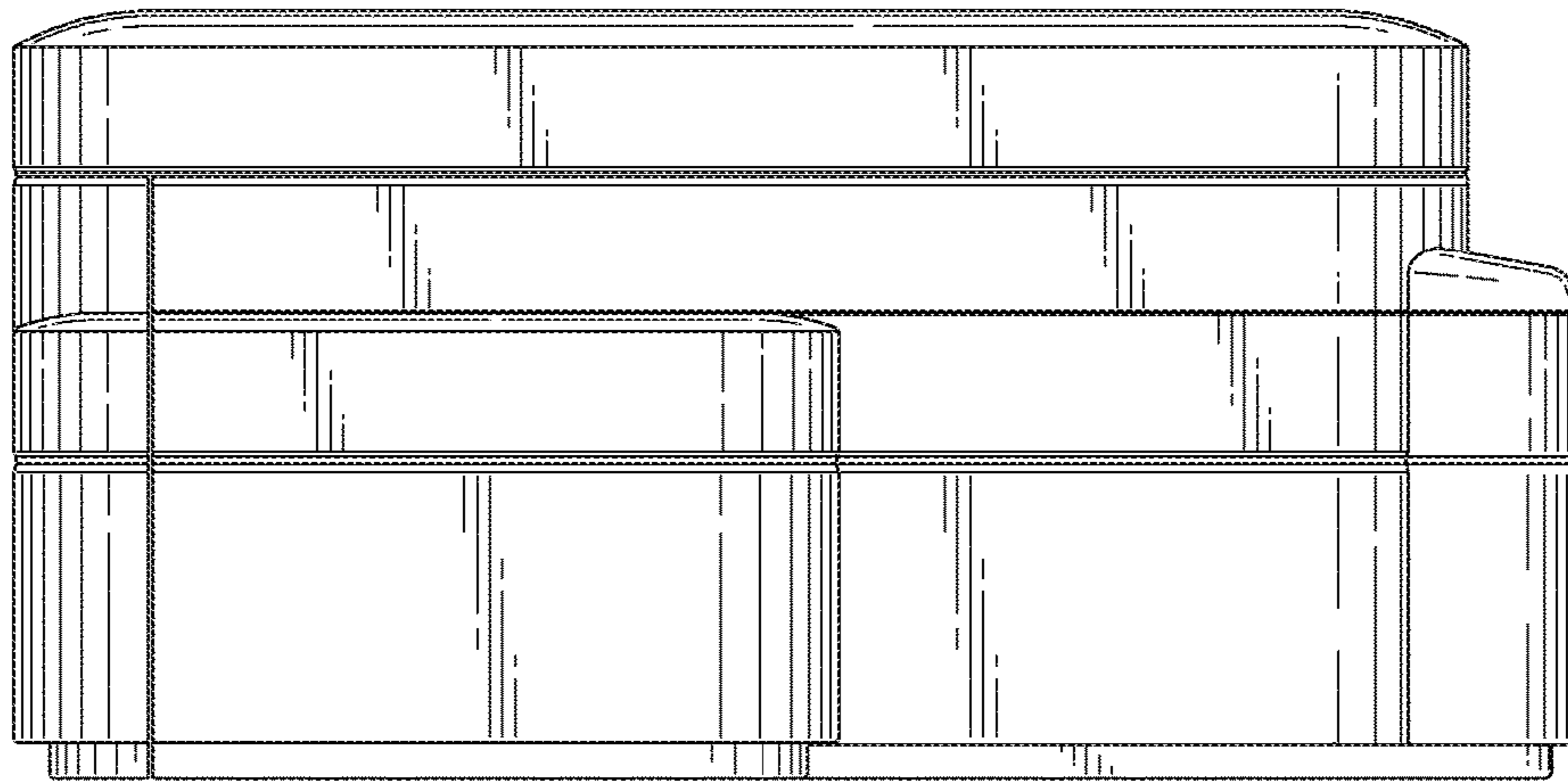


FIG. 4

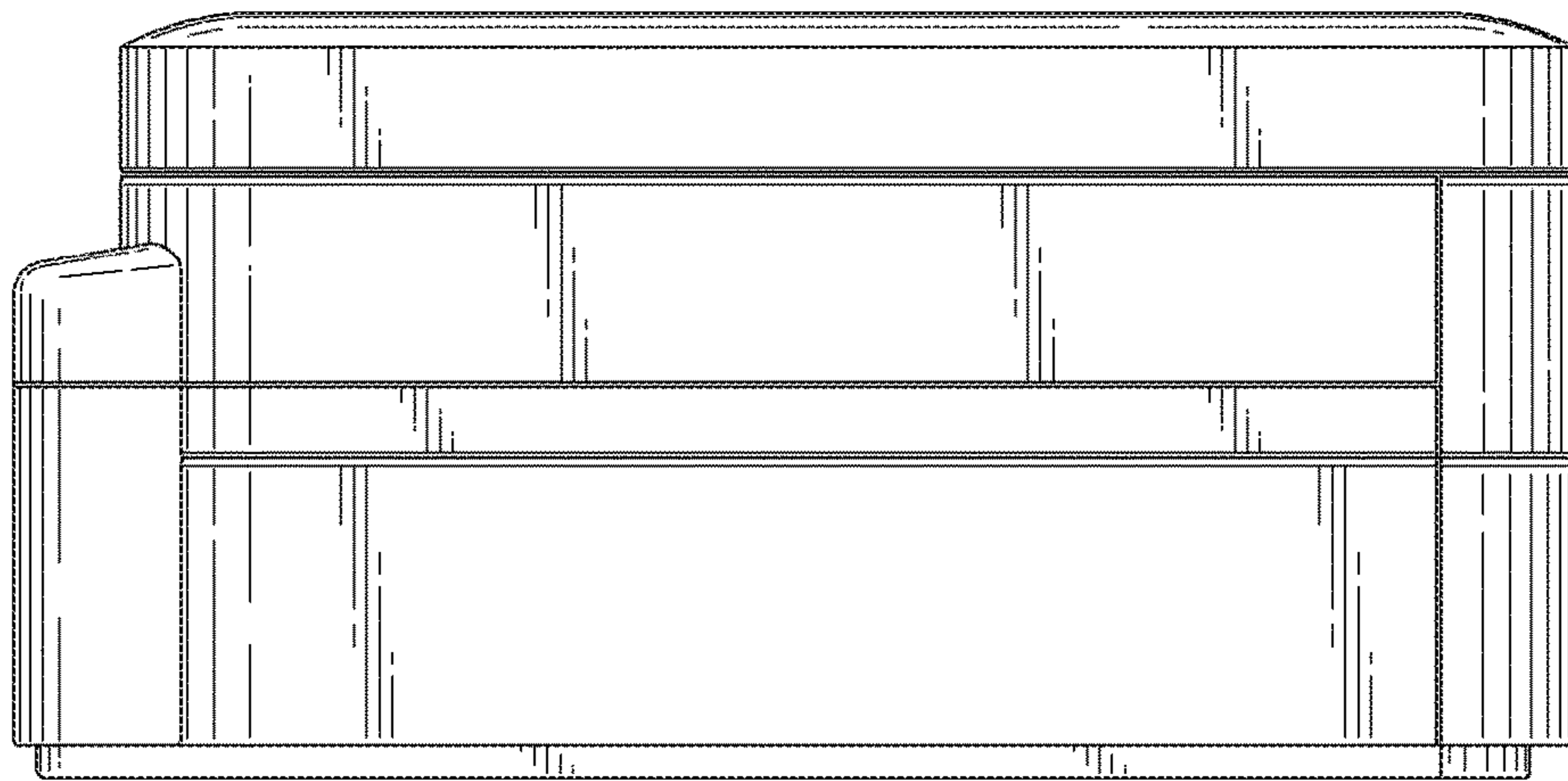


FIG. 5

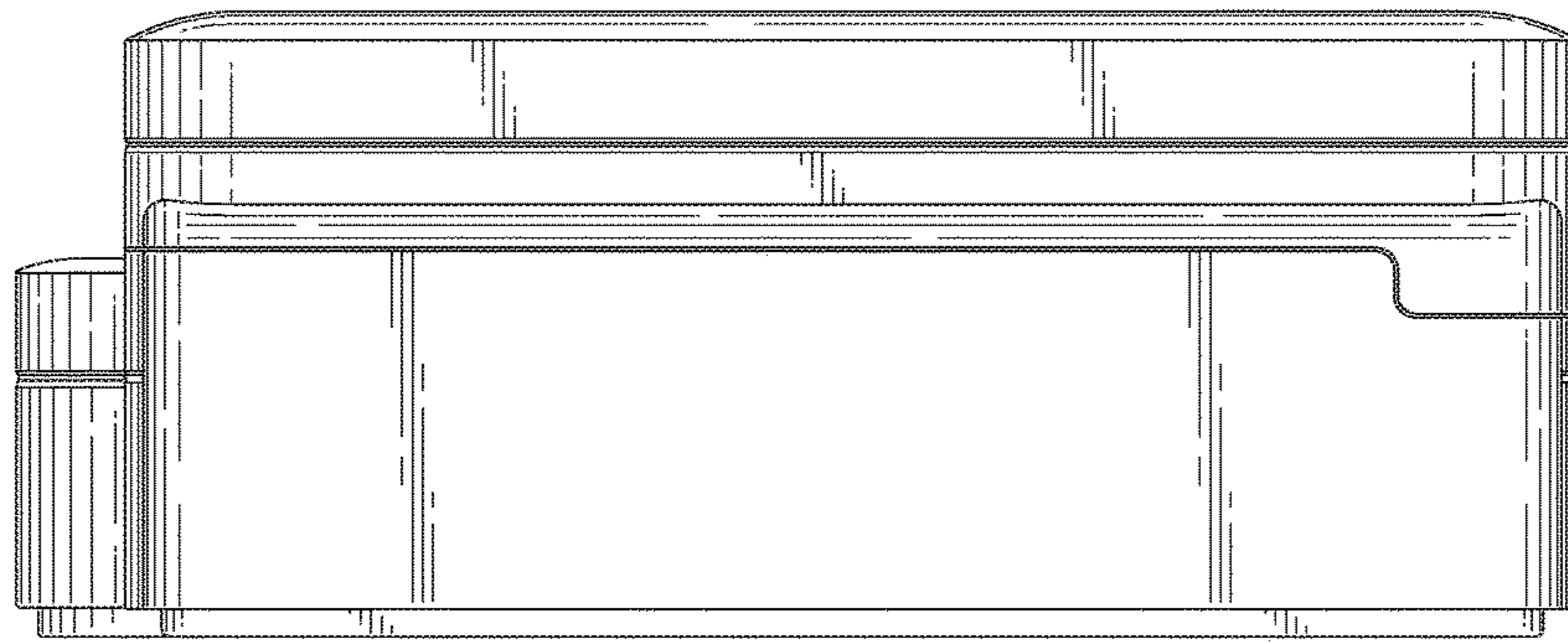


FIG. 6

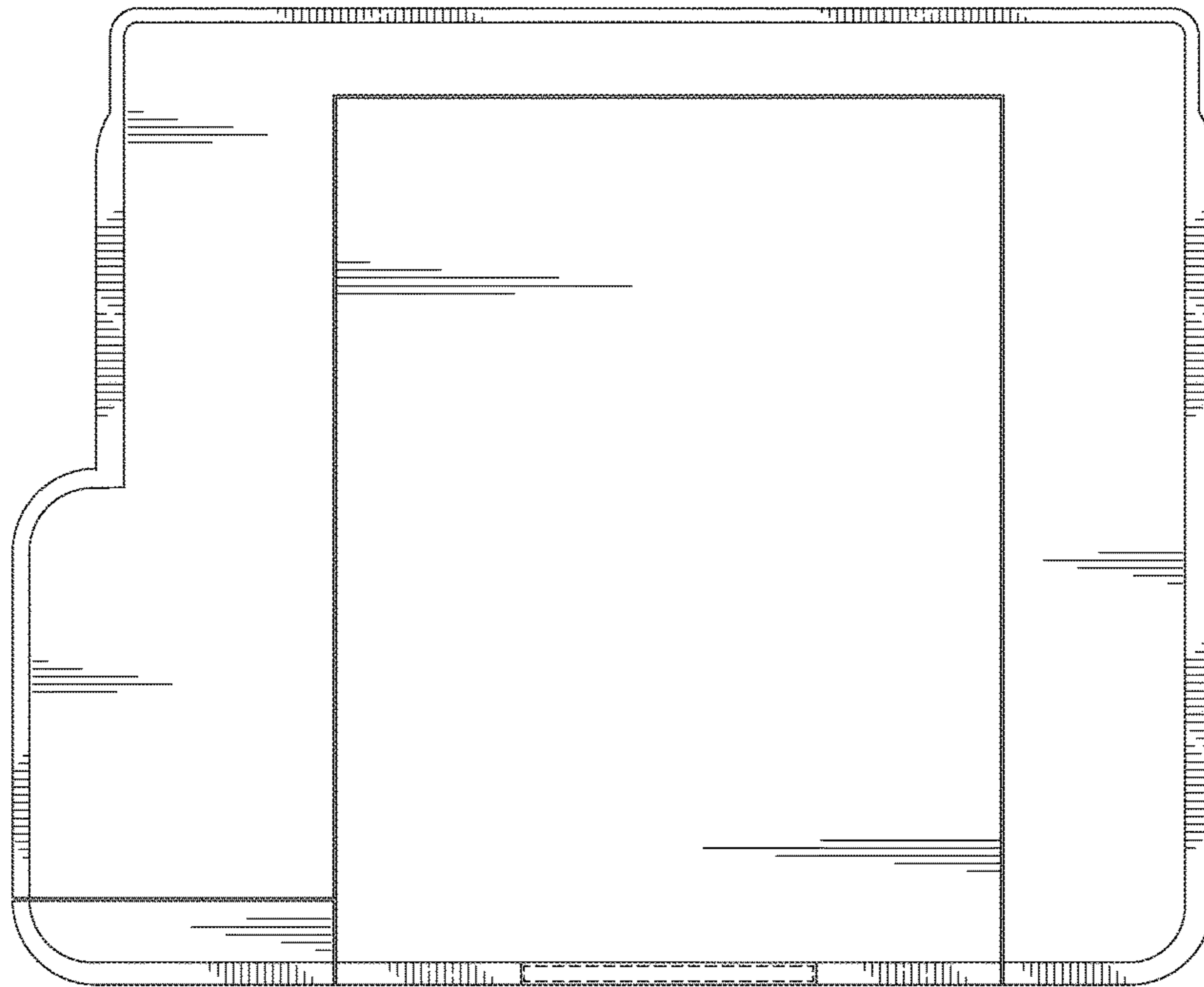


FIG. 7