



US00D806789S

(12) **United States Design Patent**
Hirota et al.

(10) **Patent No.:** **US D806,789 S**
(45) **Date of Patent:** **** Jan. 2, 2018**

(54) **PRINTER**
(71) Applicant: **Hewlett-Packard Development Company, L.P.**, Houston, TX (US)
(72) Inventors: **Akifumi Hirota**, Houston, TX (US);
Robert Luffel, Houston, TX (US);
Daniel Huang, Houston, TX (US)
(73) Assignee: **Hewlett-Packard Development Company, L.P.**, Houston, TX (US)

D724,141 S * 3/2015 Kim D18/55
D749,169 S * 2/2016 Kil D18/55
D755,284 S * 5/2016 Terenzio D18/50
D755,286 S * 5/2016 Kim D18/55

* cited by examiner

Primary Examiner — Cathy Anne MacCormac
(74) *Attorney, Agent, or Firm* — Foley & Lardner

(**) Term: **14 Years**

(21) Appl. No.: **29/521,649**

(22) Filed: **Mar. 25, 2015**

(51) **LOC (11) Cl.** **14-02**

(52) **U.S. Cl.**
USPC **D18/50**

(58) **Field of Classification Search**
USPC D18/36–39, 50, 54, 54.1, 55;
D14/420–425
CPC . B41J 3/4075; B41J 11/58; B41J 15/12; B41J
15/042; B41J 29/02; B41J 29/08; G06K
15/12; G06K 15/14
See application file for complete search history.

(56) **References Cited**

U.S. PATENT DOCUMENTS

D369,382 S * 4/1996 Matsunaga D18/55
D697,964 S * 1/2014 Fukasawa D18/55

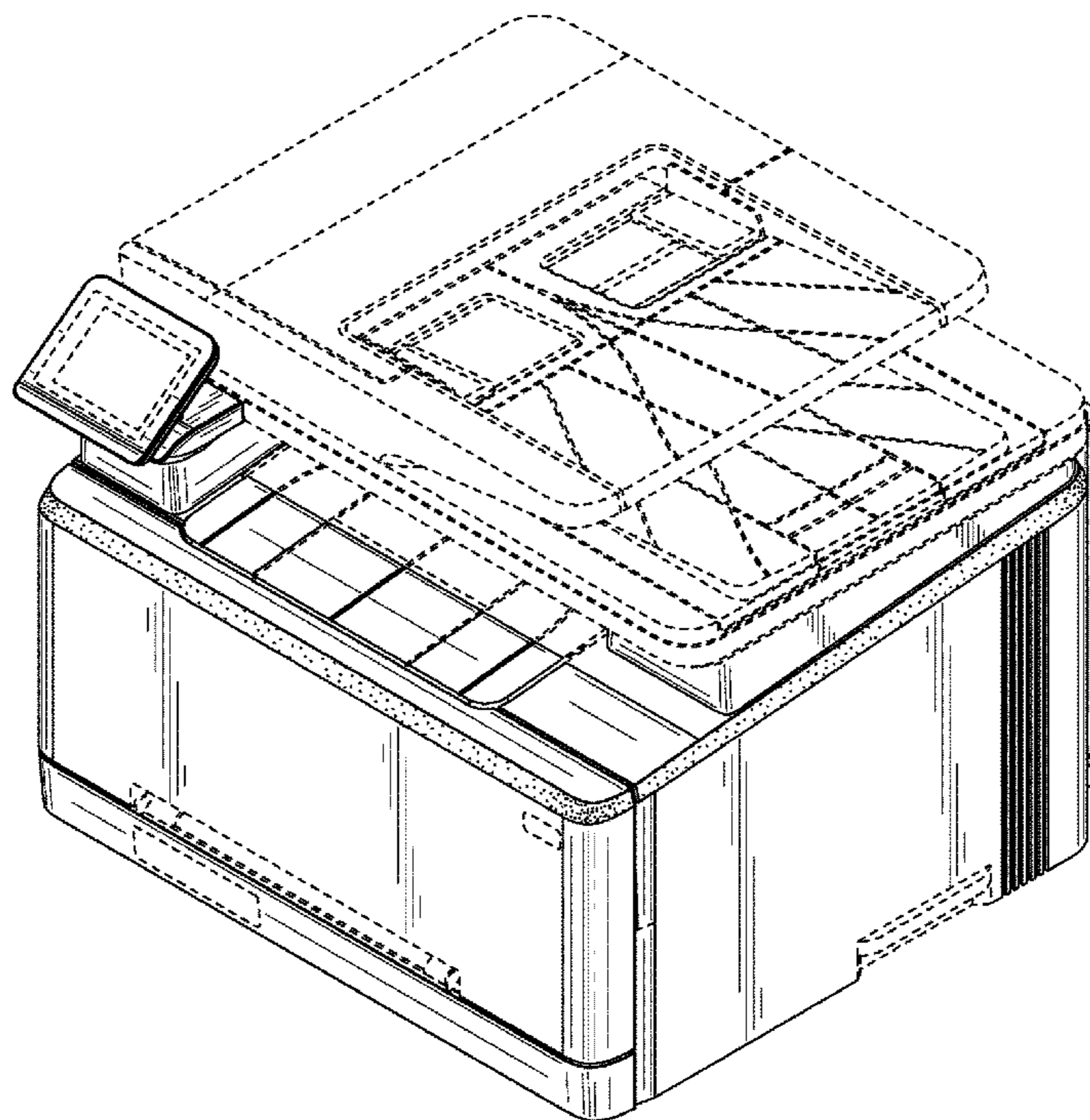
(57) **CLAIM**

We claim the ornamental design for a printer, as shown and described.

DESCRIPTION

FIG. 1 is a top, front, right side perspective view of an embodiment of the claimed design according to a first embodiment;
FIG. 2 is a front elevation view thereof;
FIG. 3 is a rear elevation view thereof;
FIG. 4 is a right side elevation view thereof;
FIG. 5 is a left side elevation view thereof;
FIG. 6 is a top plan view thereof; and,
FIG. 7 is a bottom plan view thereof.
The broken lines depict environmental subject matter and form no part of the claimed design. The use of stippling shows a contrast in appearance.

1 Claim, 7 Drawing Sheets



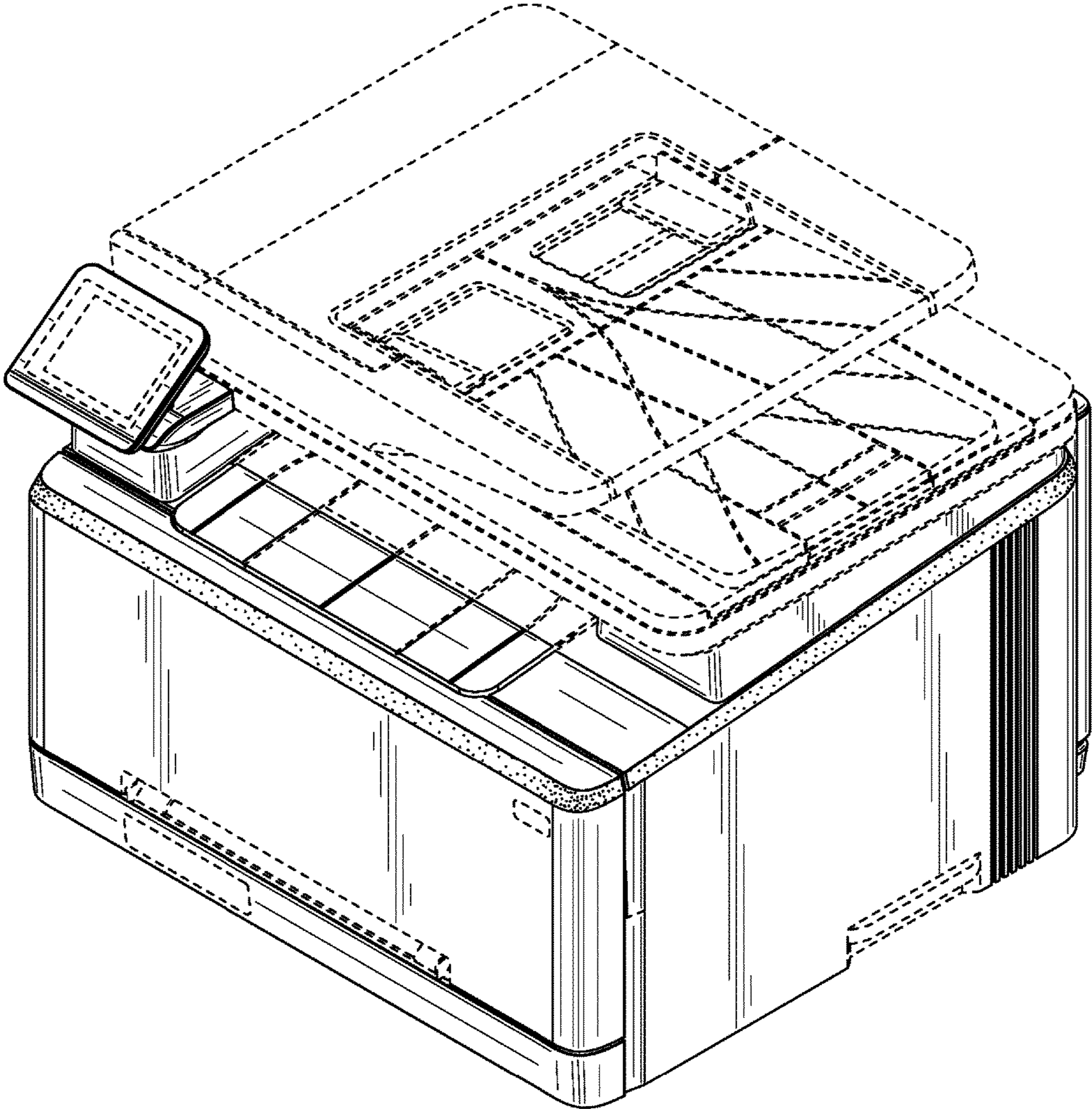


FIG. 1

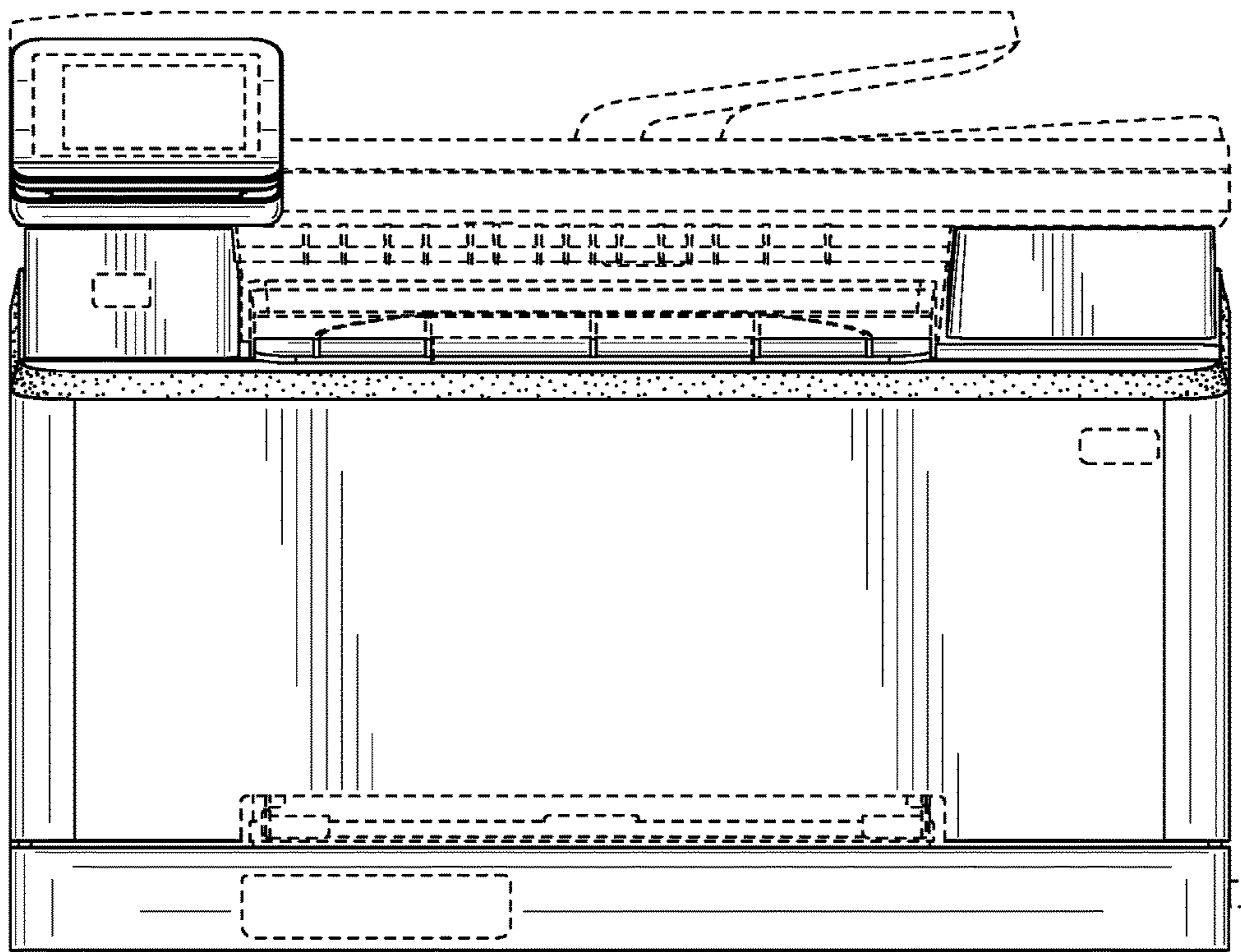


FIG. 2

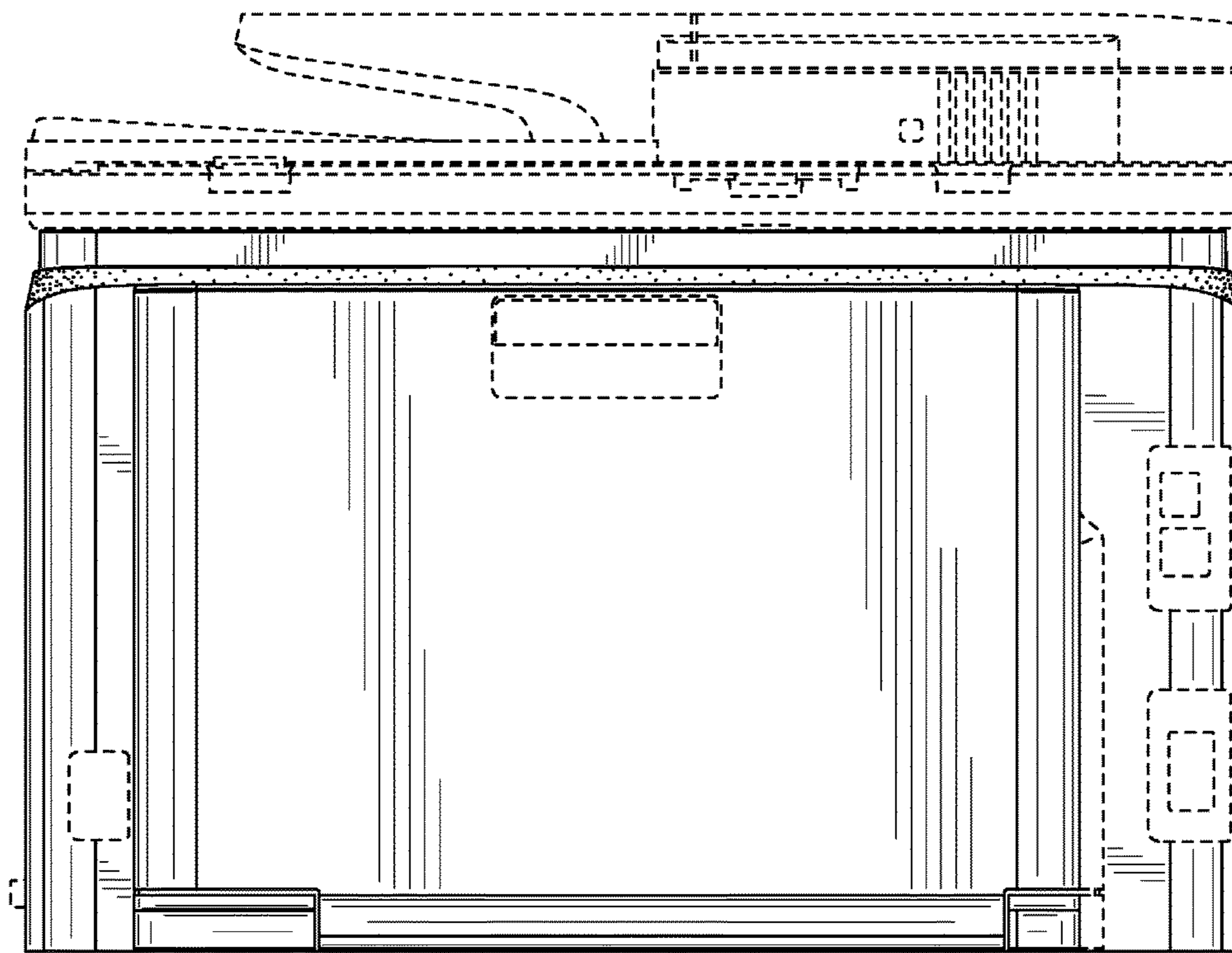


FIG. 3

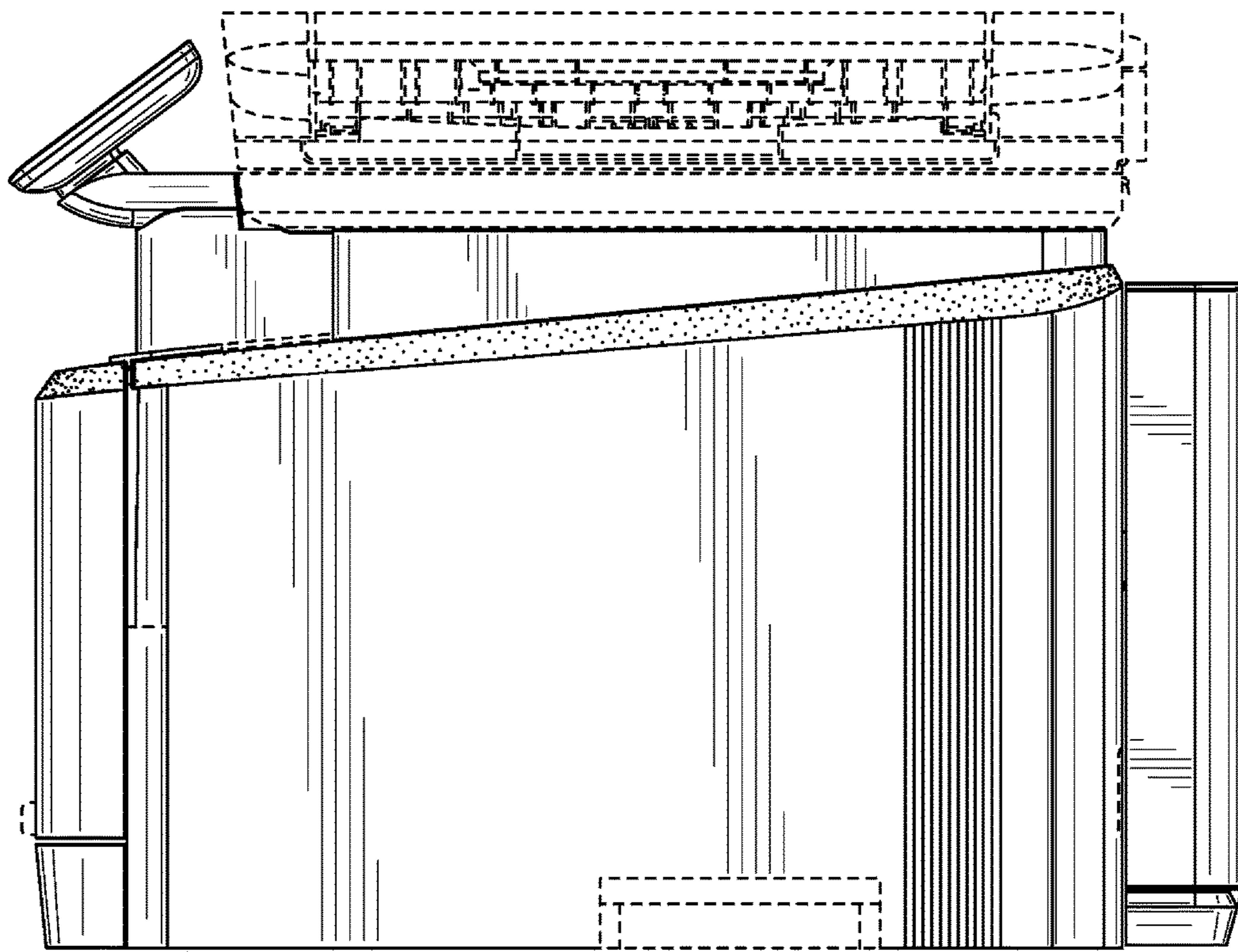


FIG. 4

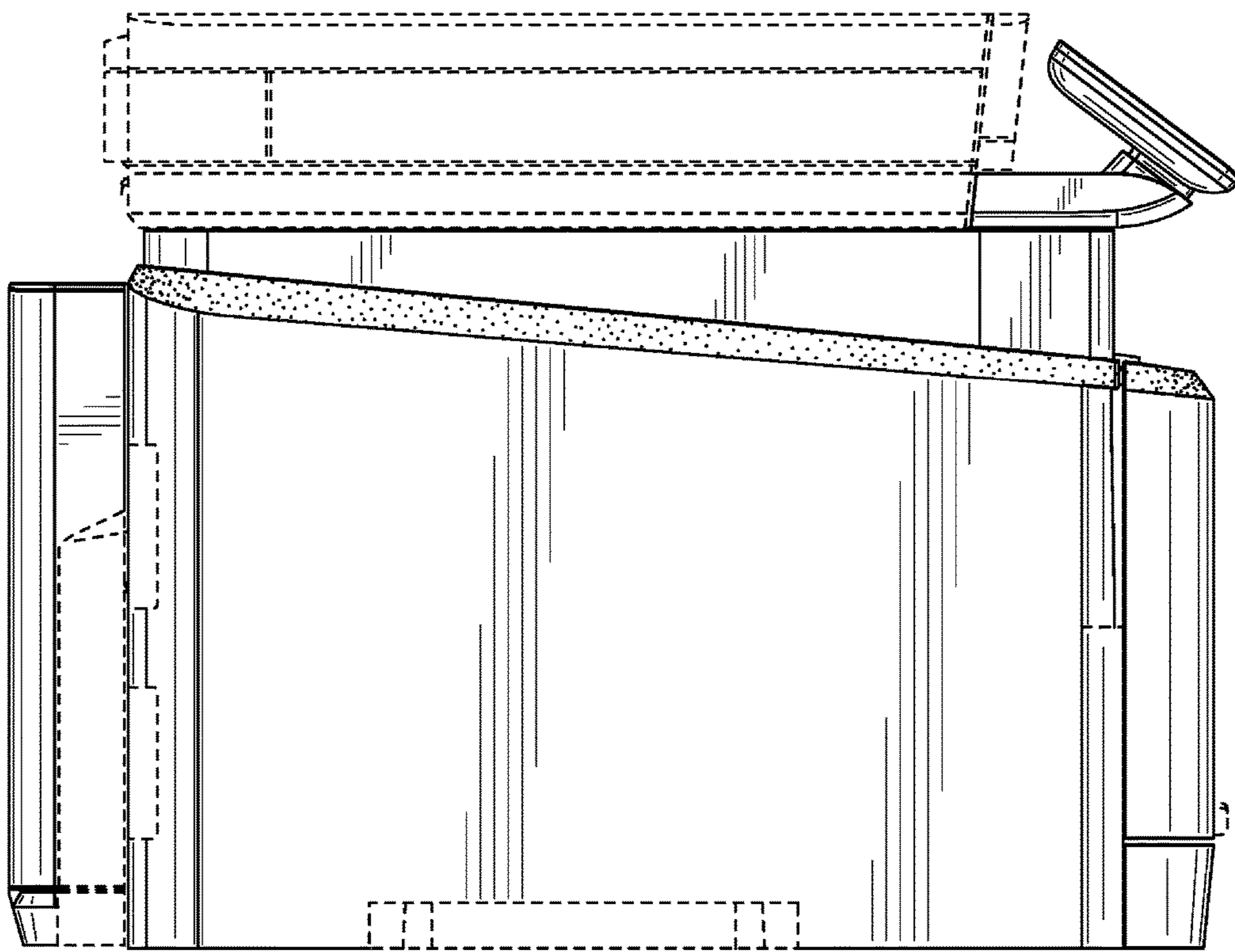


FIG. 5

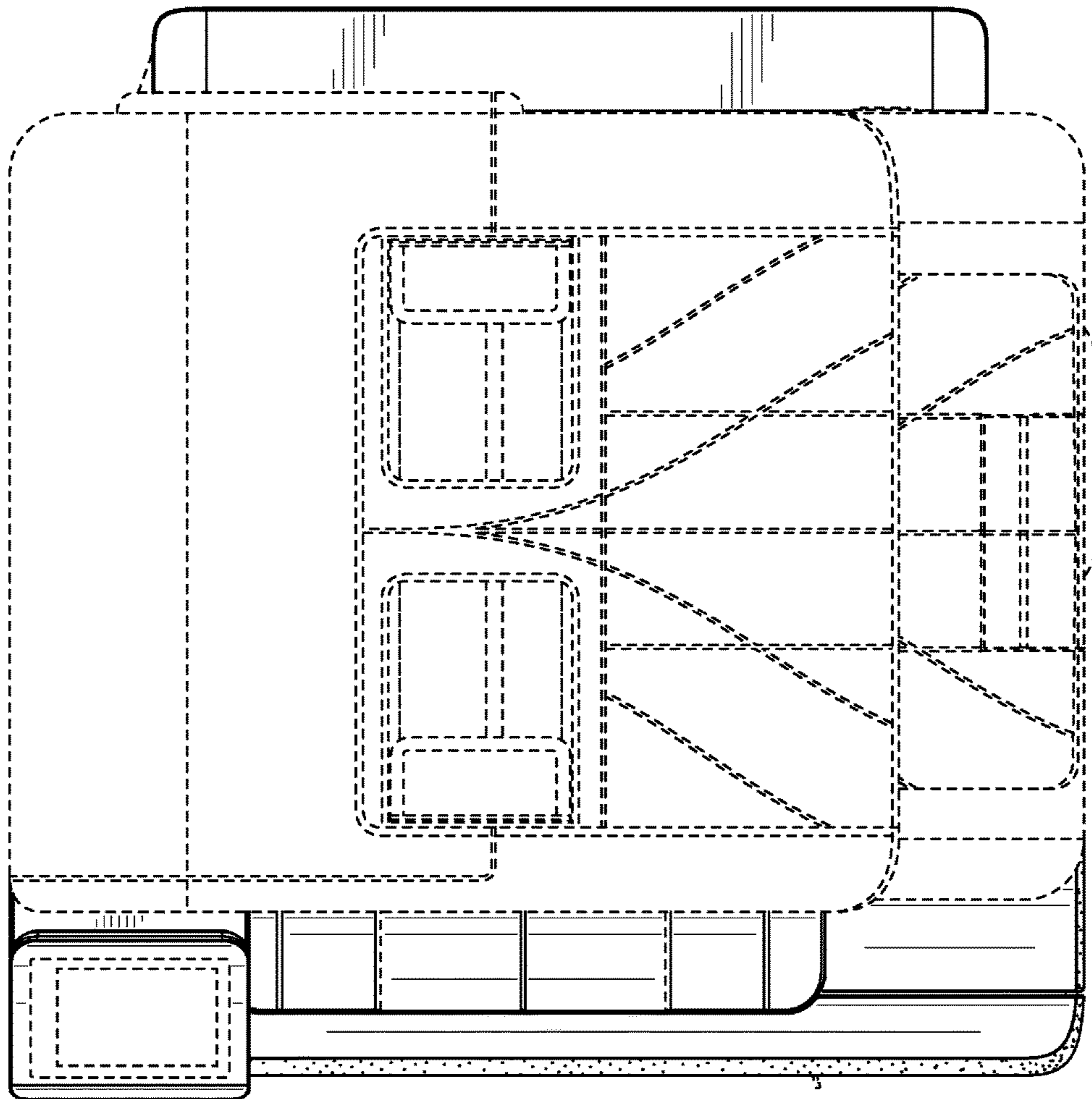


FIG. 6

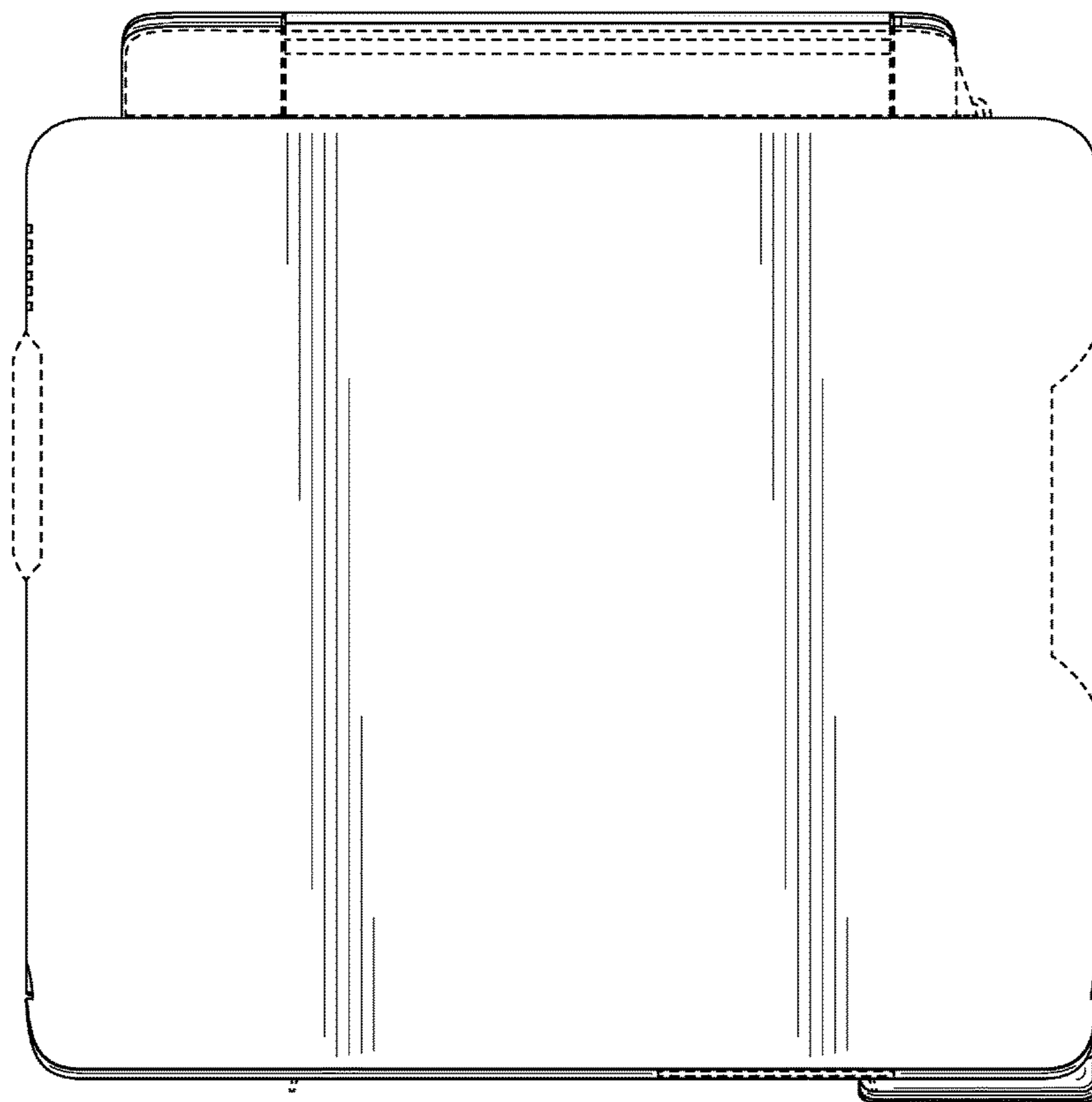


FIG. 7