



US00D806788S

(12) **United States Design Patent**
Murase

(10) **Patent No.:** **US D806,788 S**
(45) **Date of Patent:** **** Jan. 2, 2018**

(54) **TONER CARTRIDGE**

(56) **References Cited**

(71) Applicant: **S-Printing Solution Co., Ltd.**,
Suwon-si (KR)
(72) Inventor: **Hirokazu Murase**, Yokohama (JP)
(73) Assignee: **S-Printing Solution Co., Ltd.**,
Suwon-si (KR)
(**) Term: **15 Years**

U.S. PATENT DOCUMENTS

D422,304 S *	4/2000	Suzuki	D18/43
D539,335 S *	3/2007	Jeon	D18/43
D588,633 S *	3/2009	Oda	D18/43
D591,338 S *	4/2009	Kusudo	D18/43
D601,183 S *	9/2009	Ishikawa	D18/43
D638,054 S *	5/2011	Sato	D18/43
D674,006 S *	1/2013	Ohta	D18/43
D694,815 S *	12/2013	Fukamachi	D18/43
D718,380 S *	11/2014	Mori	D18/43

(21) Appl. No.: **29/531,246**

* cited by examiner

(22) Filed: **Jun. 24, 2015**

Primary Examiner — Wan Laymon

Assistant Examiner — Clint A Samuel

(30) **Foreign Application Priority Data**

(74) *Attorney, Agent, or Firm* — NSIP Law

Dec. 26, 2014 (KR) 30-2014-0063357

(51) **LOC (11) Cl.** **16-03**

(57) **CLAIM**

(52) **U.S. Cl.**
USPC **D18/43**

I claim the ornamental design for a toner cartridge, as shown and described.

(58) **Field of Classification Search**

DESCRIPTION

USPC D14/471, 474, 475; D16/246; D18/12,
D18/36-39, 40, 43, 44, 49, 50-59;
347/121, 122, 222-224; 399/24-30,
399/107-125, 222-224, 252-262,
399/343-360; 222/DIG. 1
CPC G03G 15/00; G03G 15/08; G03G 15/0815;
G03G 15/0142; G03G 21/08; G03G
21/1814; G03G 21/1835; G03G 21/185;
G03G 21/1842; G03G 21/1857; G03G
21/1853; G03G 21/16-21/18; G06K
15/12; G06K 15/14; H04N 1/00129;
H04N 1/00278; H04N 1/00135; B41J
11/00; B41J 3/00; B41J 3/28

FIG. 1 is a front perspective view of a toner cartridge showing my new design;
FIG. 2 is a front view thereof;
FIG. 3 is a rear view thereof;
FIG. 4 is a left-side view thereof;
FIG. 5 is a right-side view thereof;
FIG. 6 is a top view thereof; and,
FIG. 7 is a bottom view thereof.

The broken lines illustrating portions of the toner cartridge are for environmental purposes only and form no part of the claimed design.

See application file for complete search history.

1 Claim, 6 Drawing Sheets

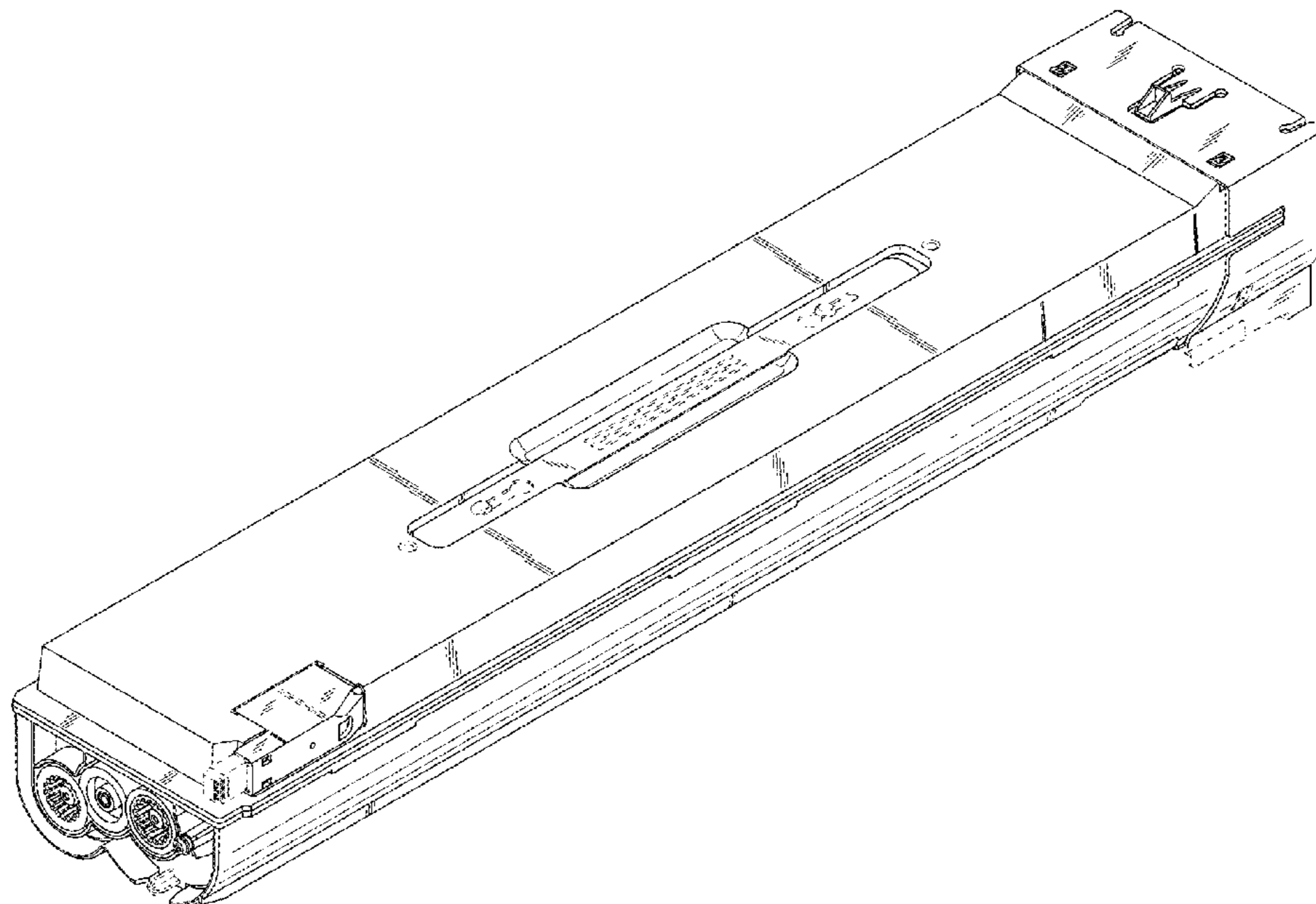


FIG.1

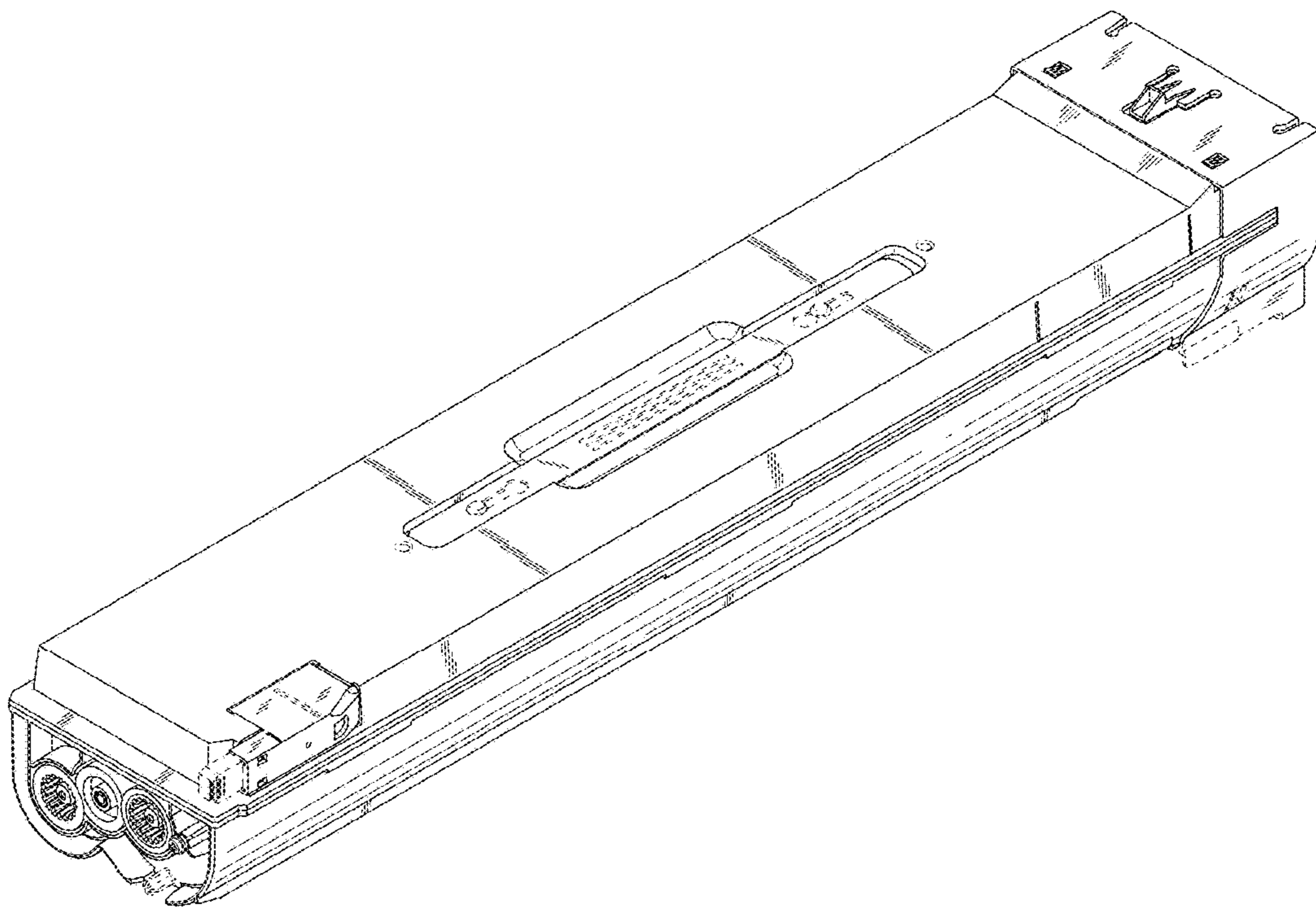


FIG.2

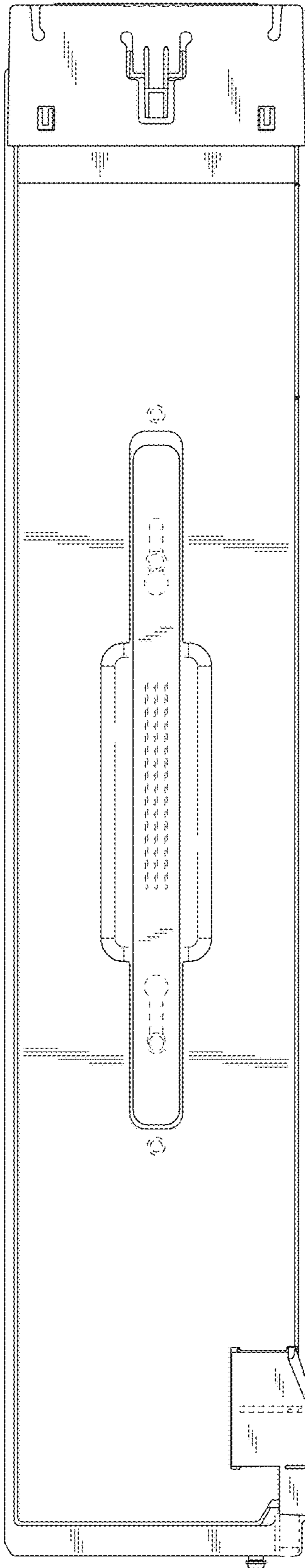


FIG.3

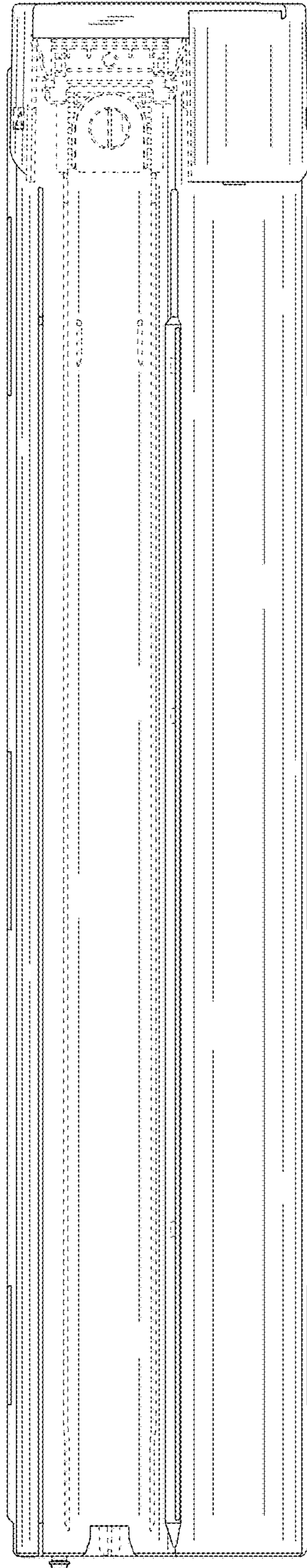


FIG.4

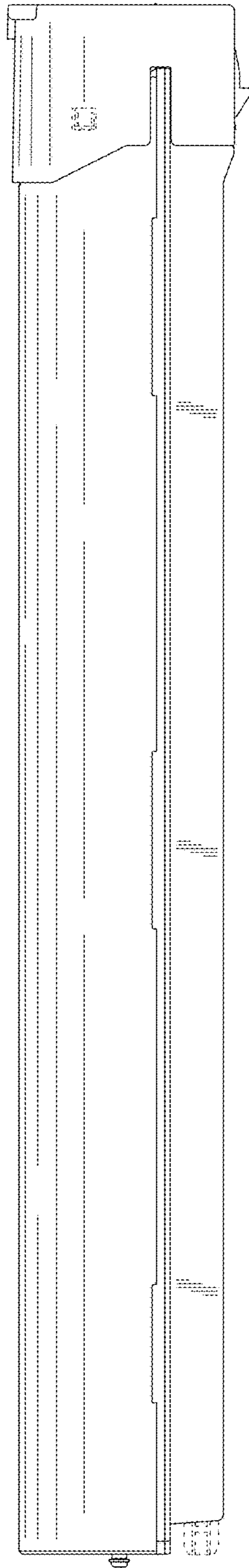


FIG.5

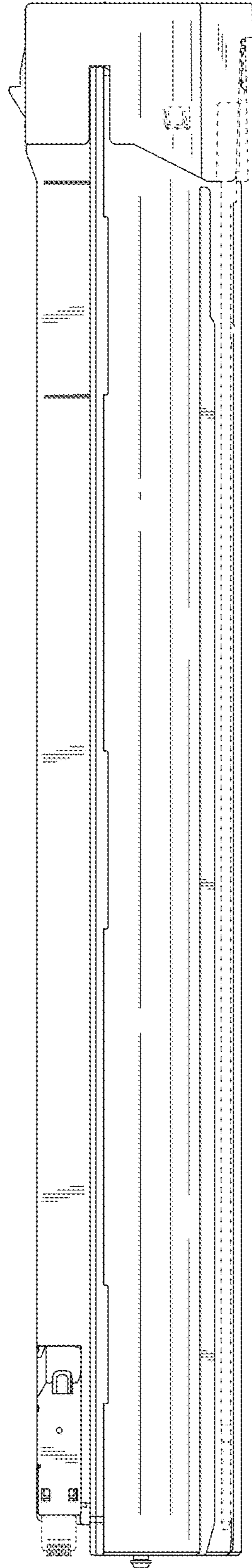


FIG.6

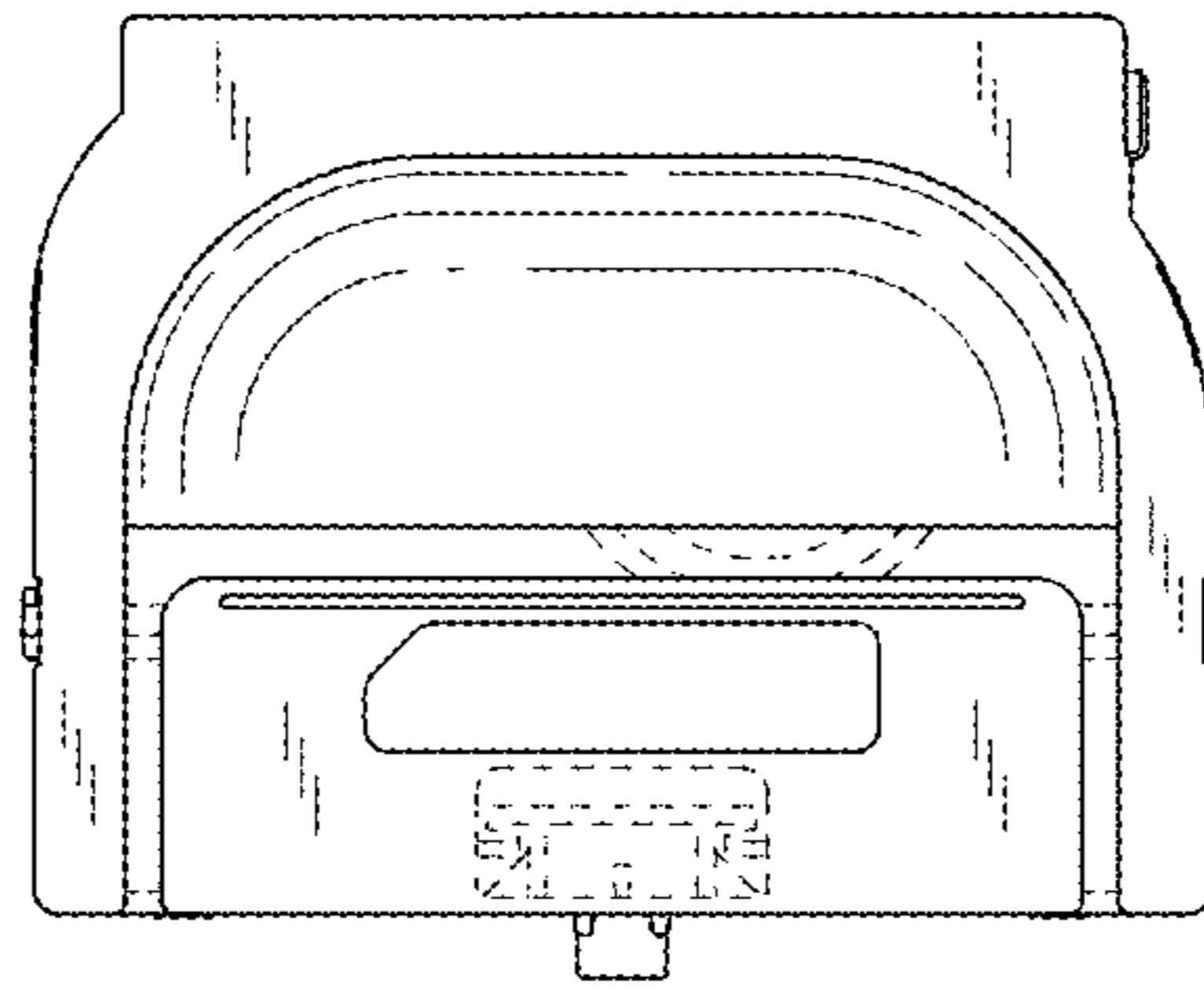


FIG.7

