



US00D806783S

(12) **United States Design Patent** (10) **Patent No.:** **US D806,783 S**  
**Yamamoto et al.** (45) **Date of Patent:** **\*\* Jan. 2, 2018**

(54) **ELECTRONIC CALCULATOR WITH PRINTER**

[ retrieved on Jul. 28, 2017] <https://sobjprd.questel.fr/export/QPTUJ214/pdf2/5aa8a0e8-5116-4c93-bd92-0b93818f7edd-175109.pdf>.\*

(71) Applicant: **CASIO KEISANKI KABUSHIKI KAISHA**, Shibuya-ku, Tokyo (JP)

(Continued)

(72) Inventors: **Yozo Yamamoto**, Tokyo (JP); **Shinobu Sugioka**, Saitama (JP)

*Primary Examiner* — Susan Bennett Hattan

*Assistant Examiner* — Marie D. Fast Horse

(74) *Attorney, Agent, or Firm* — Holtz, Holtz & Volek PC

(73) Assignee: **Casio Keisanki Kabushiki Kaisha**, Tokyo (JP)

(57) **CLAIM**

The ornamental design for an electronic calculator with printer, as shown and described.

(\*\*) Term: **15 Years**

**DESCRIPTION**

(21) Appl. No.: **29/562,324**

(22) Filed: **Apr. 25, 2016**

(51) **LOC (11) Cl.** ..... **18-01**

(52) **U.S. Cl.**  
USPC ..... **D18/7; D18/2**

(58) **Field of Classification Search**  
USPC ..... D18/6–11, 1, 2, 12, 4.1, 4.2, 50, 14, 19, D18/54, 54.1; D14/341, 343, 345, 346  
CPC ..... G06F 15/00; G06F 15/02; G06F 15/021; G06F 15/0225; G06F 15/0233; G06F 15/025; G06F 3/02; G06F 3/0227; G06G 1/14; G06G 3/00; G06G 3/02; G06G 3/04;

FIG. 1 is a front, right side, bottom perspective view of an electronic calculator with printer showing our new design; FIG. 2 is a front elevational view of a first embodiment thereof; FIG. 3 is a rear elevational view of a first embodiment thereof; FIG. 4 is a left side view of a first embodiment thereof; FIG. 5 is a right side view of a first embodiment thereof; FIG. 6 is a top plan view of a first embodiment thereof; FIG. 7 is a bottom plan view of a first embodiment thereof; FIG. 8 is a front, right side, top perspective view of a first embodiment thereof; FIG. 9 is a front, right side, bottom perspective view of a second embodiment; FIG. 10 is a front elevational view of a second embodiment thereof; FIG. 11 is a rear elevational view of a second embodiment thereof; FIG. 12 is a left side view of a second embodiment thereof; FIG. 13 is a right side view of a second embodiment thereof; FIG. 14 is a top plan view of a second embodiment thereof; FIG. 15 is a bottom plan view of a second embodiment thereof; and, FIG. 16 is a front, right side, top perspective view of a second embodiment thereof.

(Continued)

(56) **References Cited**

**U.S. PATENT DOCUMENTS**

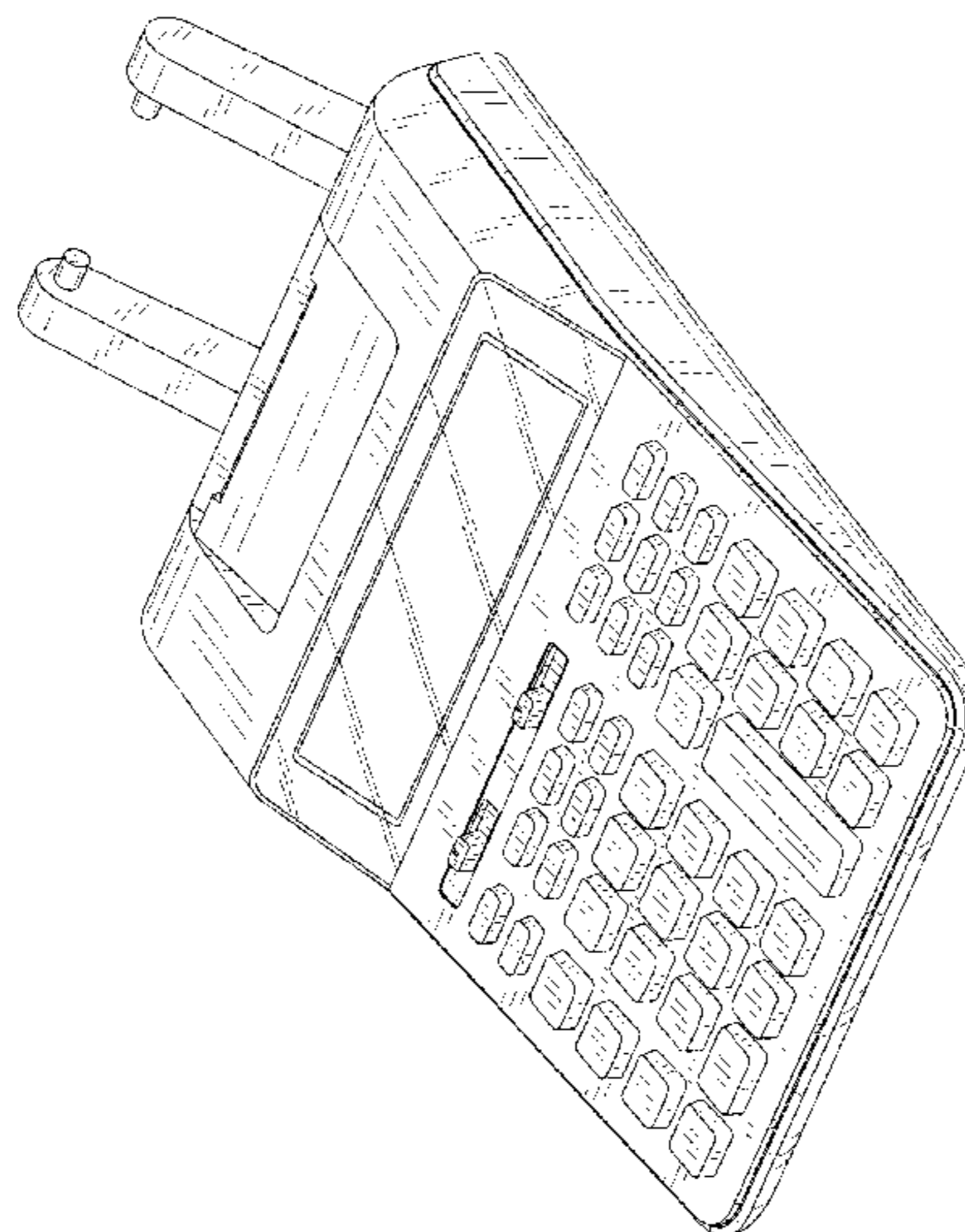
D228,236 S \* 8/1973 Nakanishi ..... D18/7  
D230,405 S \* 2/1974 Jinbo ..... D18/7

(Continued)

**OTHER PUBLICATIONS**

Printing Calculator. (Design -©Questel). orbit.com. [online PDF] 23 pgs. Print Dates range Sep. 14, 2016 through Jan. 23, 2017

**1 Claim, 14 Drawing Sheets**



(58) **Field of Classification Search**

CPC ..... G06K 7/0065; G06C 7/02; B41J 3/4075;  
 B41J 3/44; B41J 3/445; B41J 7/02; B41J  
 15/042

See application file for complete search history.

(56) **References Cited**

U.S. PATENT DOCUMENTS

D233,154	S	*	10/1974	Saito	.....	D18/7
D247,198	S	*	2/1978	Ohie	.....	D18/7
D255,126	S	*	5/1980	Ohie	.....	D18/7
D256,699	S	*	9/1980	Kitai	.....	D18/7
D256,700	S	*	9/1980	Ohie	.....	D18/7
D257,512	S	*	11/1980	Barner	.....	D18/7
D257,513	S	*	11/1980	Sereika	.....	D18/7
D257,990	S	*	1/1981	Hirata	.....	D18/7
D261,398	S	*	10/1981	Hirata	.....	D18/7
D262,890	S	*	2/1982	Ichikawa	.....	D18/7
D263,968	S	*	4/1982	Hirata	.....	D18/7
D276,625	S	*	12/1984	Kikuchi	.....	D18/7
D279,108	S	*	6/1985	Sawada	.....	D18/7
D279,110	S	*	6/1985	Takahashi	.....	D18/2
D280,418	S	*	9/1985	Hayashi	.....	D18/7
D280,832	S	*	10/1985	Mineta	.....	D18/7
D281,886	S	*	12/1985	Sawada	.....	D18/7
D291,325	S	*	8/1987	Yubisui	.....	D18/7
4,772,146	A	*	9/1988	Saito	.....	B41J 11/08 400/613.1
D303,982	S	*	10/1989	Matsuoka	.....	D18/7
D308,391	S	*	6/1990	Sakaguchi	.....	D18/7
D308,985	S	*	7/1990	Sawada	.....	D18/7

D315,358	S	*	3/1991	Yubisui	.....	D18/2
D315,572	S	*	3/1991	Sakaguchi	.....	D18/2
D317,778	S	*	6/1991	Onumata	.....	D18/7
D318,286	S	*	7/1991	Sakaguchi	.....	D18/7
5,151,873	A	*	9/1992	Hirsh	.....	G06F 3/0219 708/172
5,156,477	A	*	10/1992	Hasegawa	.....	B41J 11/14 400/613.1
D333,830	S	*	3/1993	Lampe	.....	D18/1
D349,917	S	*	8/1994	Tsuchida	.....	D18/2
D433,056	S	*	10/2000	Tamaki	.....	D18/7
D441,008	S	*	4/2001	Matsuda	.....	D18/7
D442,618	S	*	5/2001	Tamaki	.....	D18/7
D458,294	S	*	6/2002	Makidera	.....	D18/7
D459,384	S	*	6/2002	Ohki	.....	D18/7
D468,341	S	*	1/2003	Nishida	.....	D18/7
D494,208	S	*	8/2004	Wada	.....	D18/7
D546,376	S	*	7/2007	Ono	.....	D18/7
D568,380	S	*	5/2008	Ono	.....	D18/7

OTHER PUBLICATIONS

HR Printing Calculators. casio-intl.com. [online] 2 pgs. Uploaded 2016 [Retrieved on Jul. 28, 2017] <http://www.casio-intl.com/cs/Satellite?blobcol=urldata&blobkey=id&blobtable=MungoBlobs&blobwhere=1426203007852&blobheadername1=Content> . . . Cont. on W.\*  
 Cont. from V . . . Type&blobheadervalue1=application/pdf &blobheadername2=content-disposition &blobheadervalue2=inline; filename=HR\_Printing\_Calculators.pdf&ssbinary=true&rendermode=live.\*

\* cited by examiner

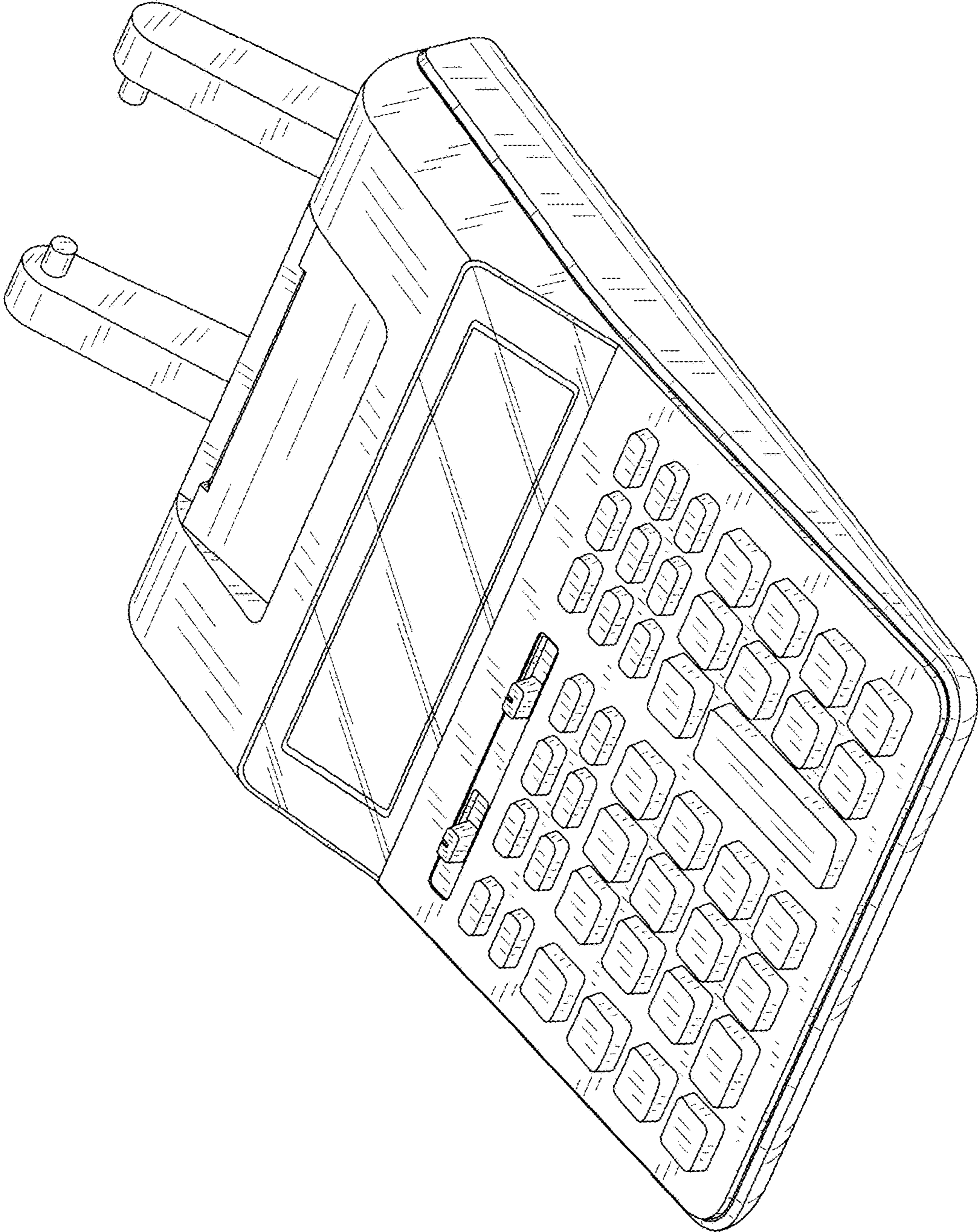


FIG. 1

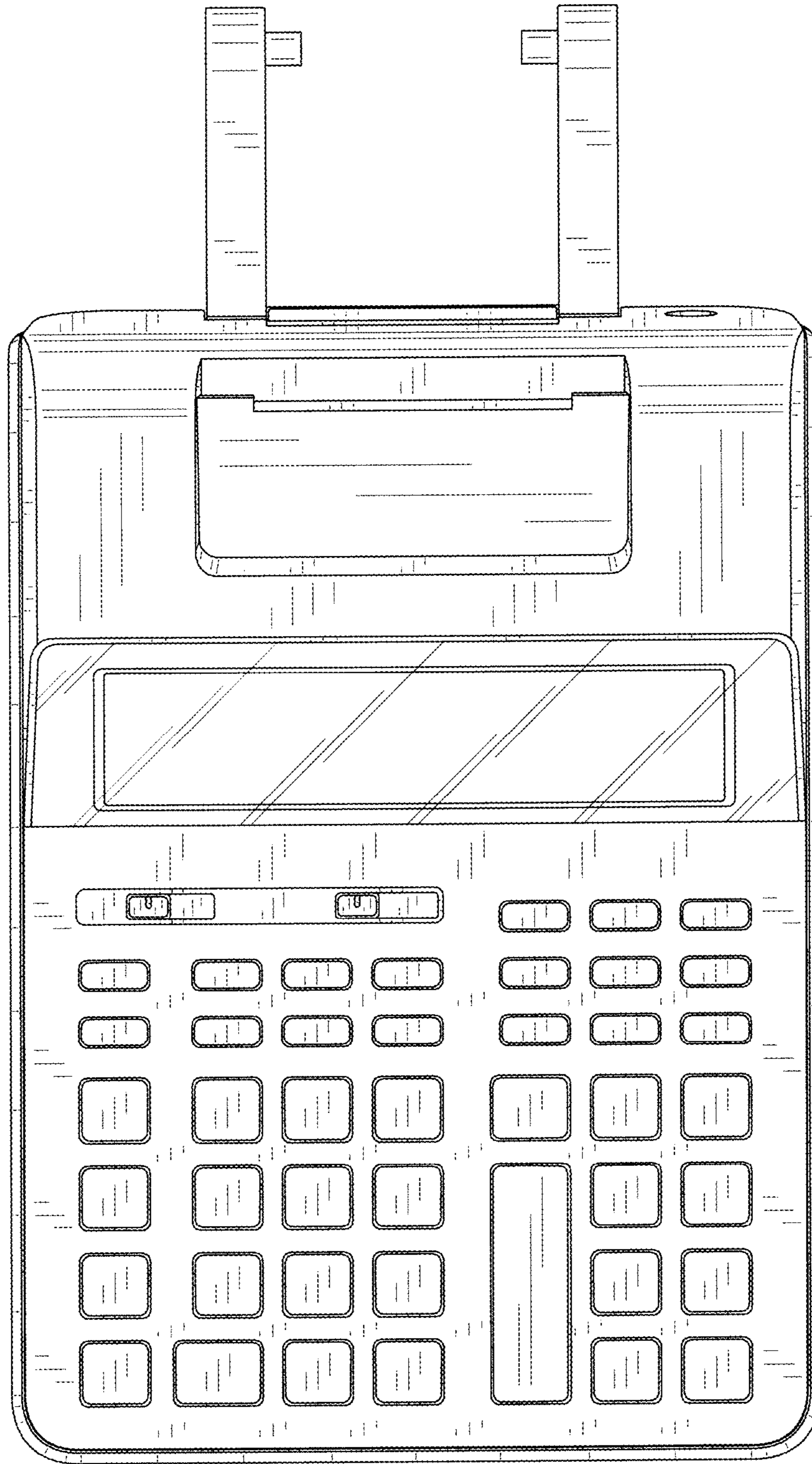
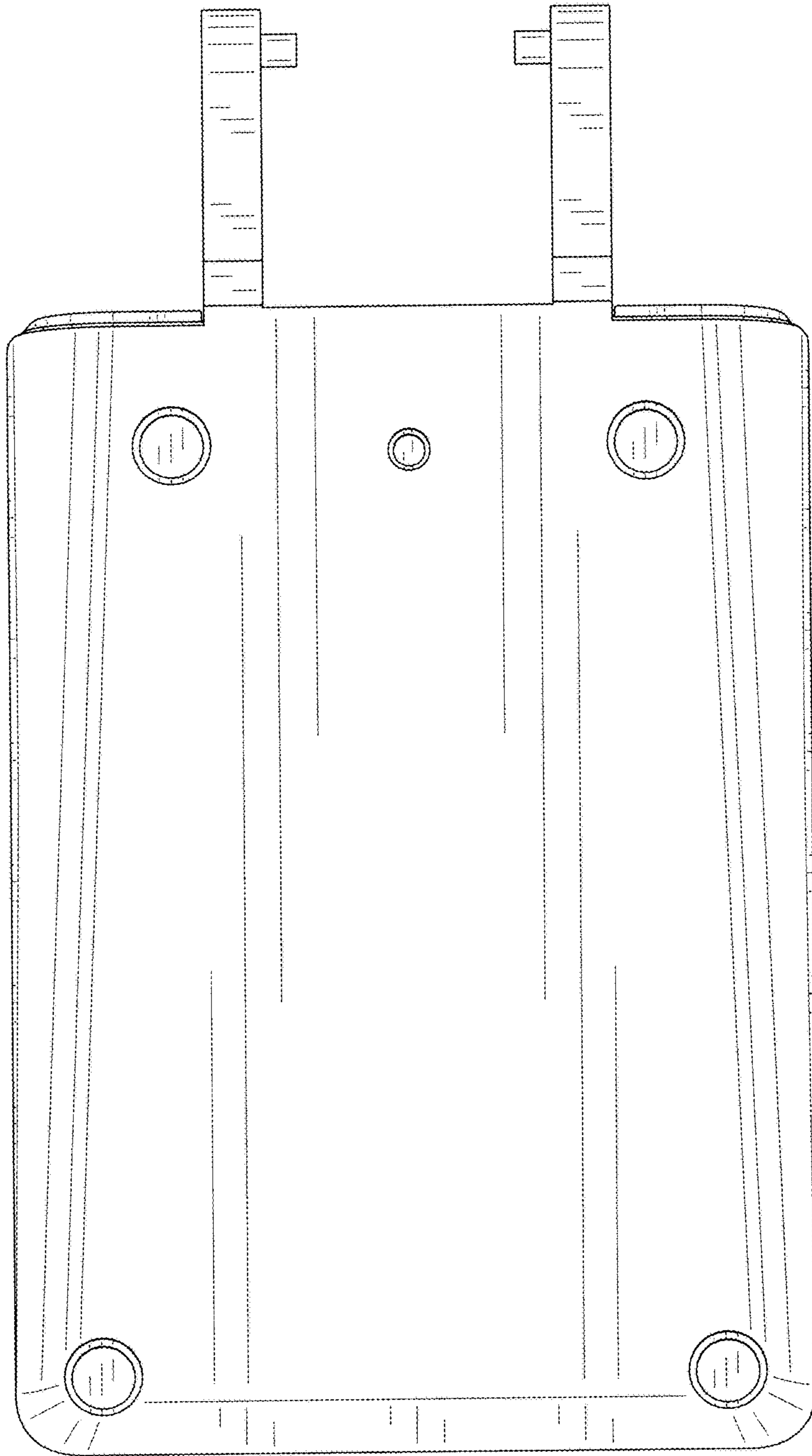
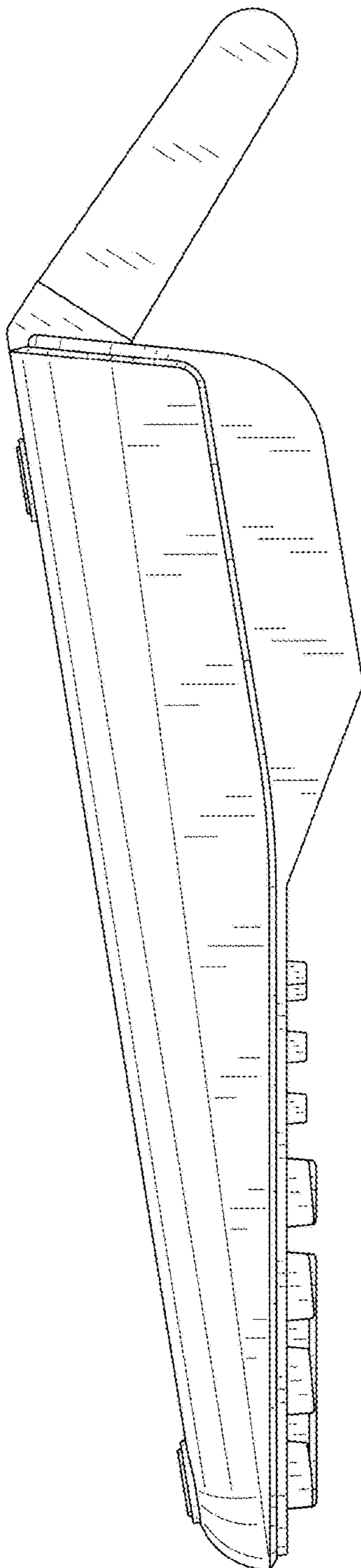


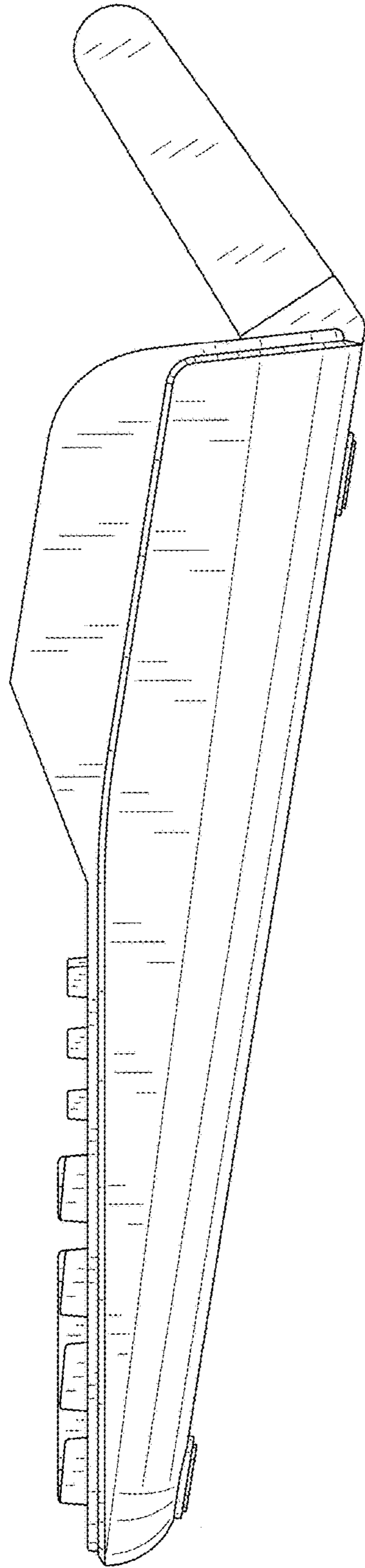
FIG. 2



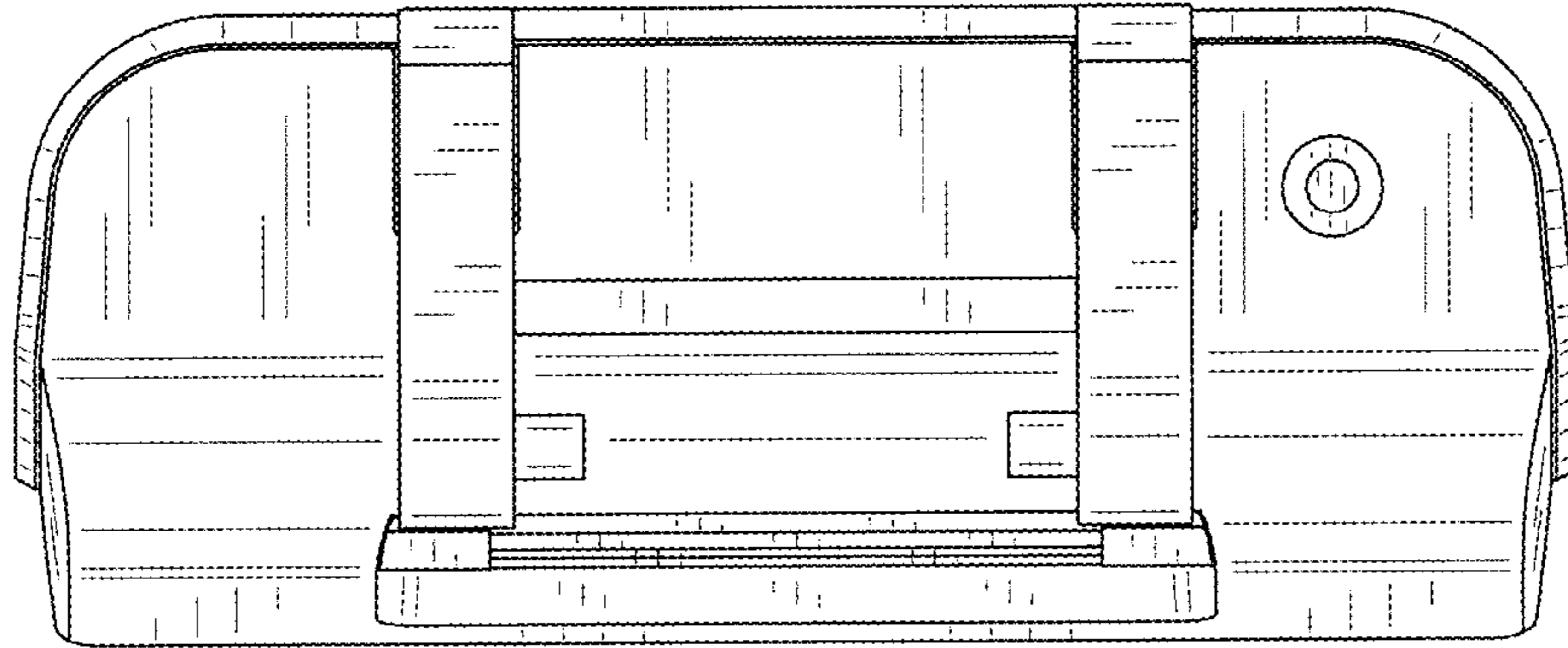
**FIG. 3**



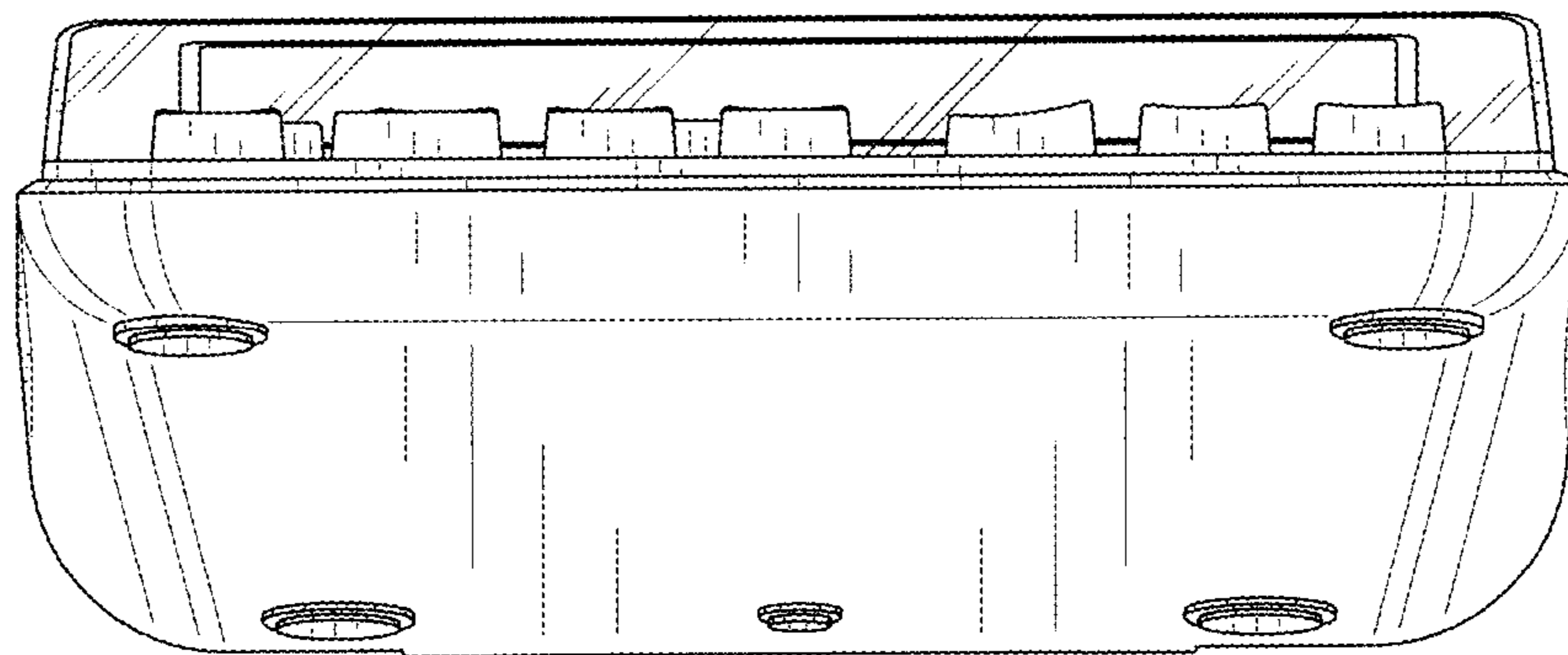
**FIG. 4**



**FIG. 5**

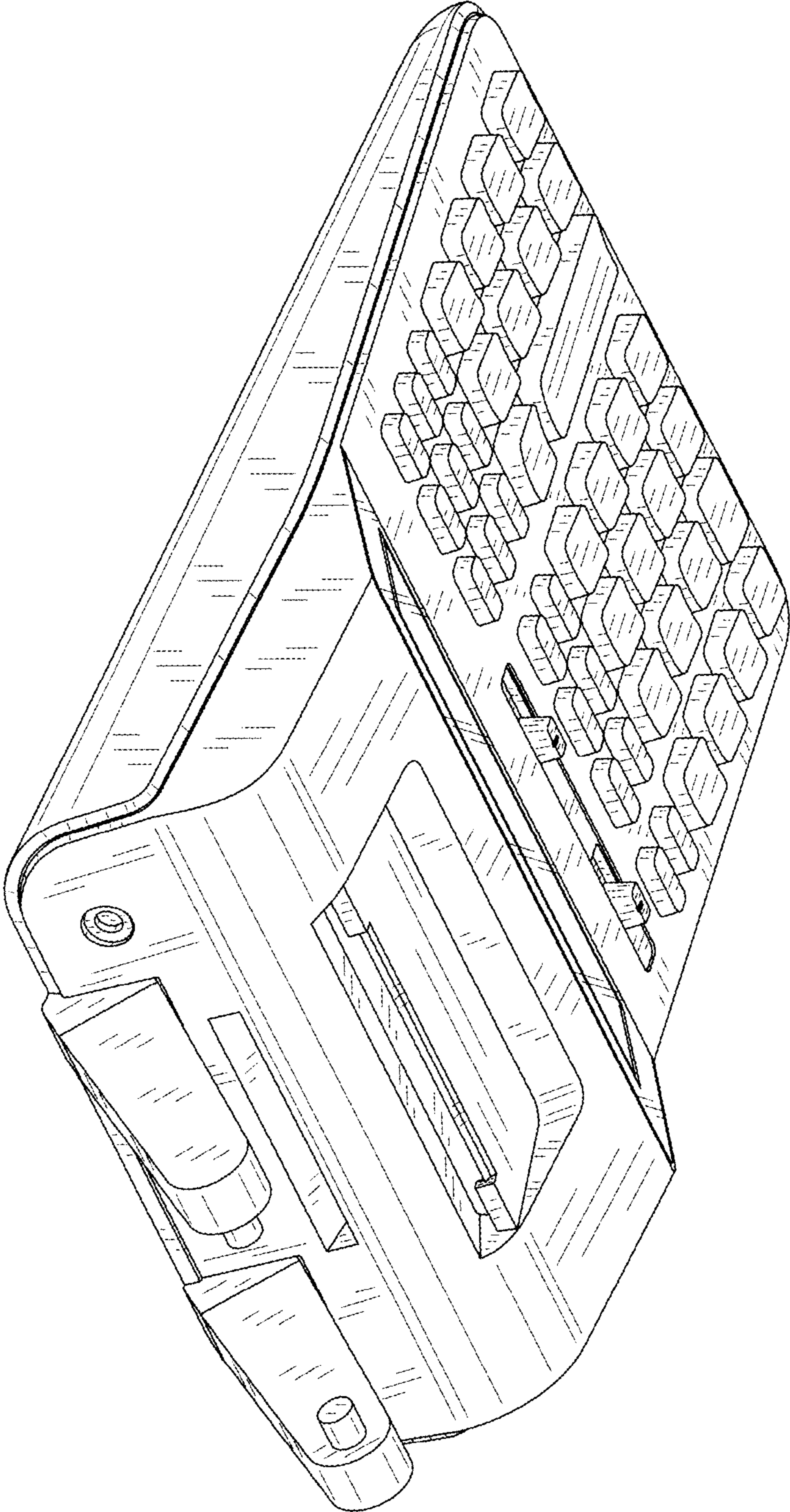


**FIG. 6**



**FIG. 7**





**FIG. 8**

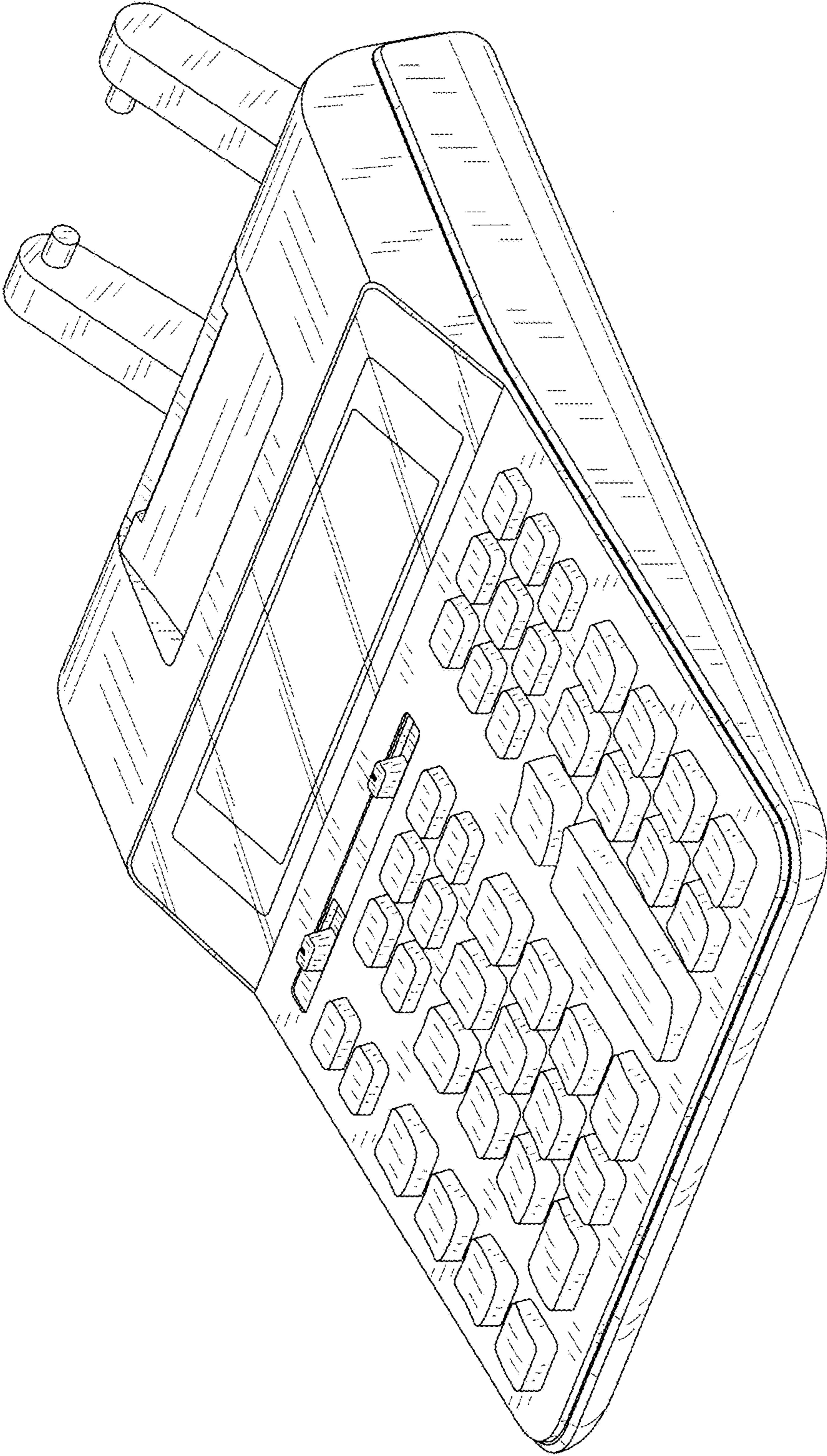


FIG. 9

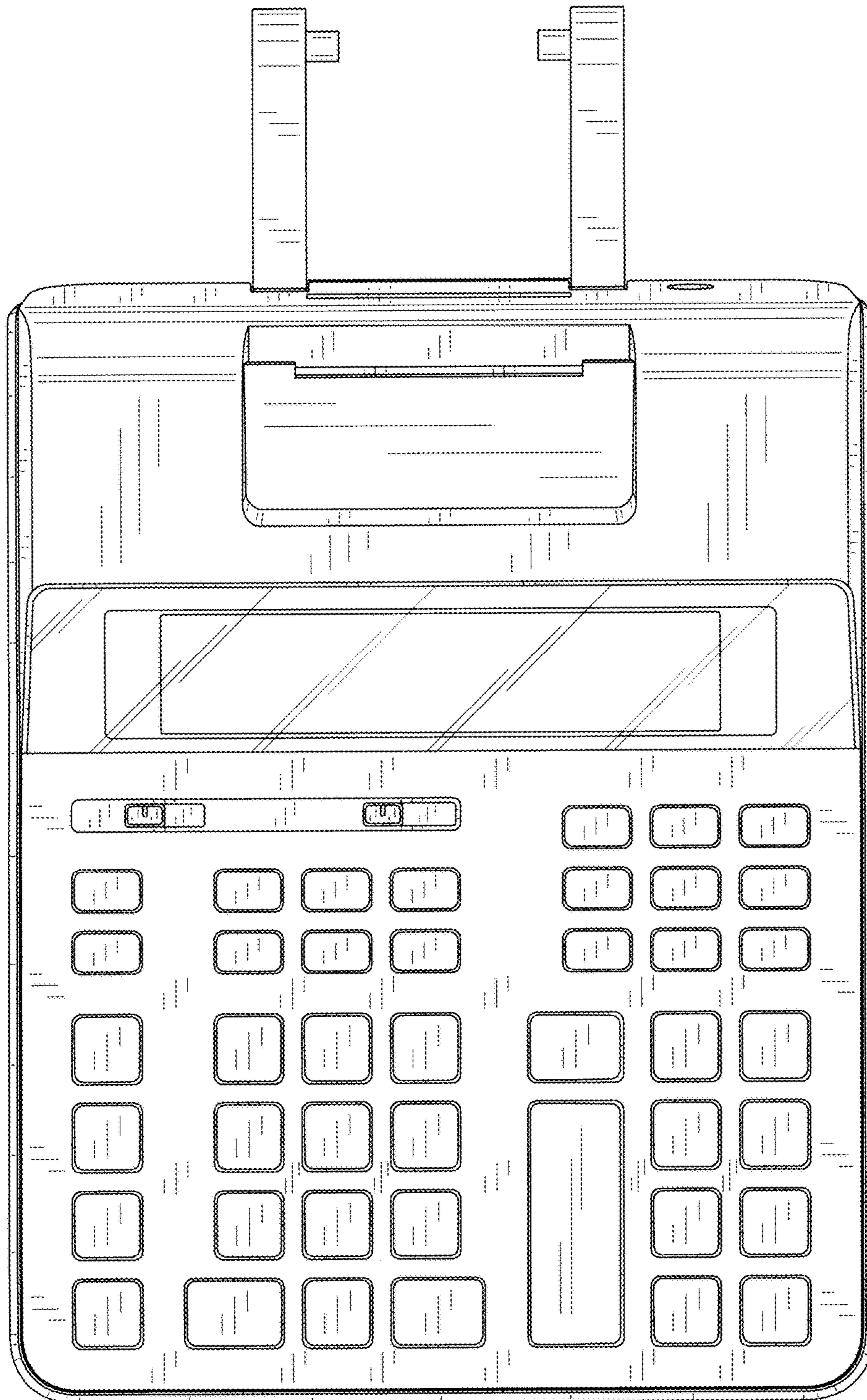


FIG. 10

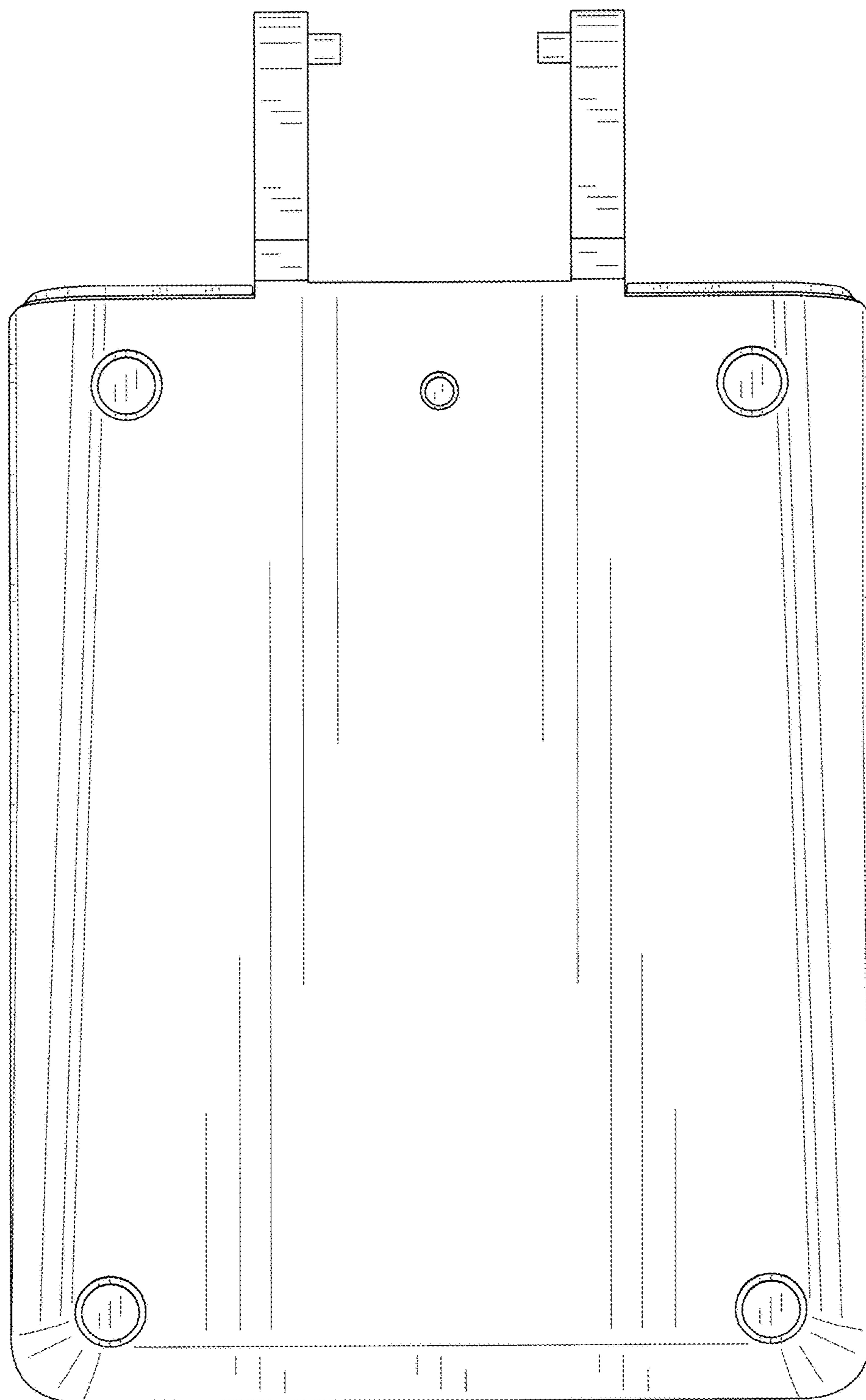
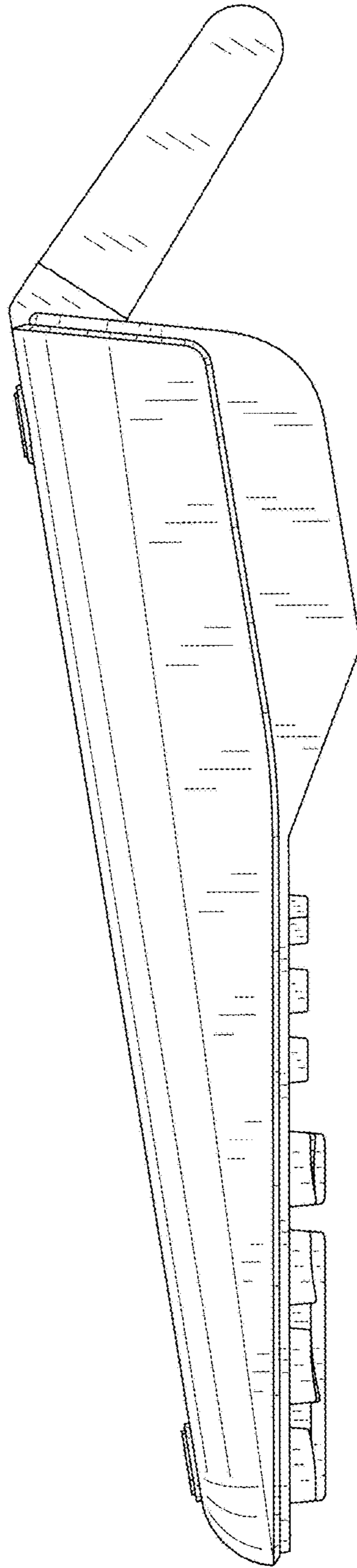
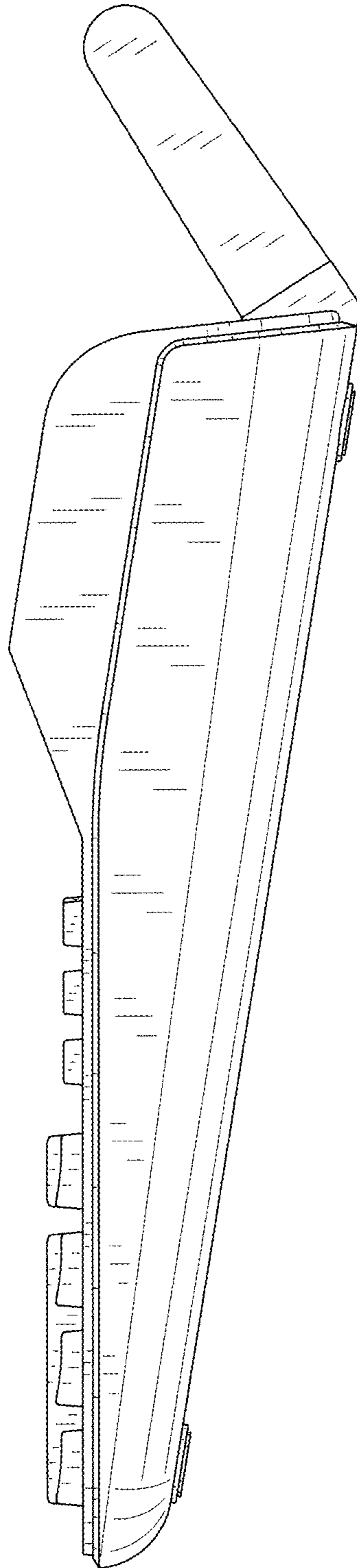


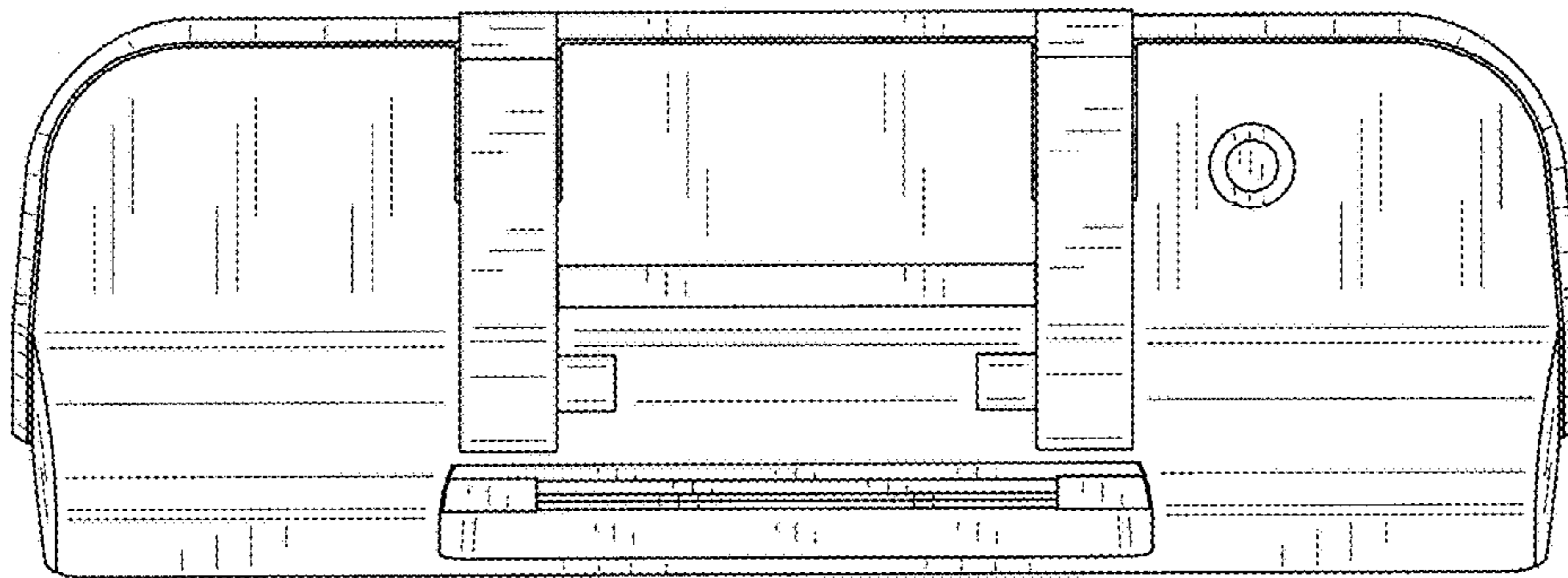
FIG. 11



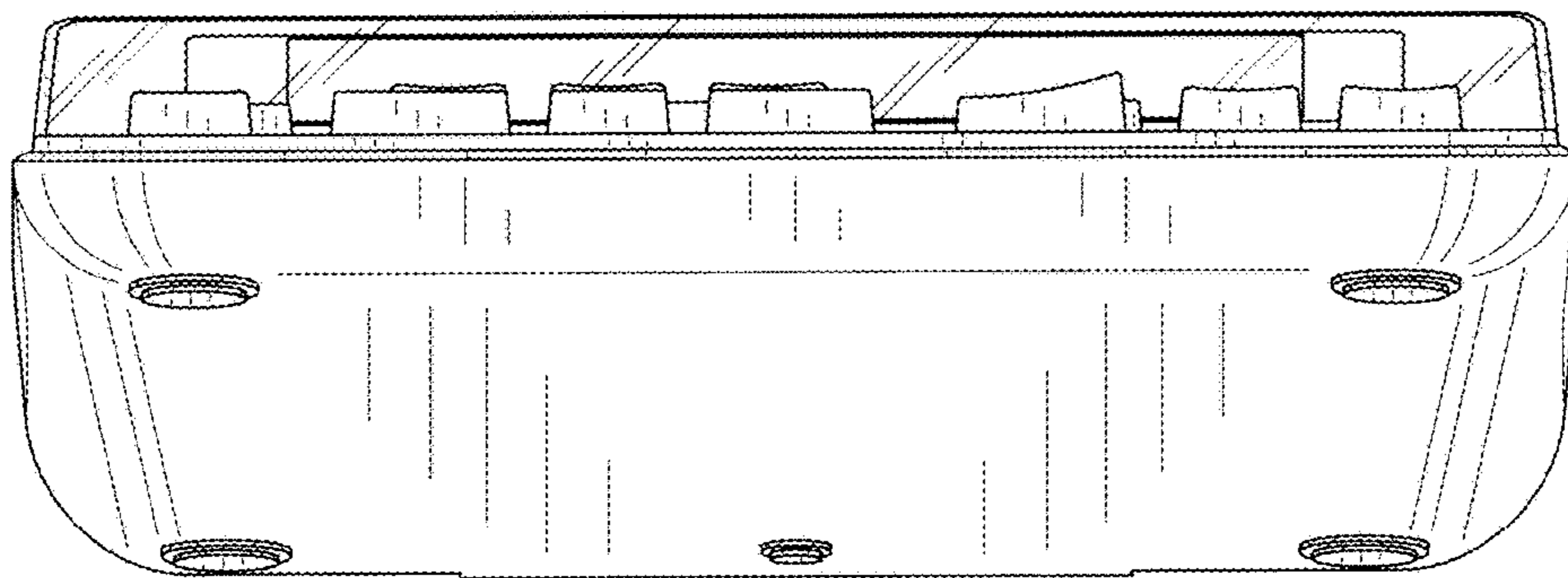
**FIG. 12**



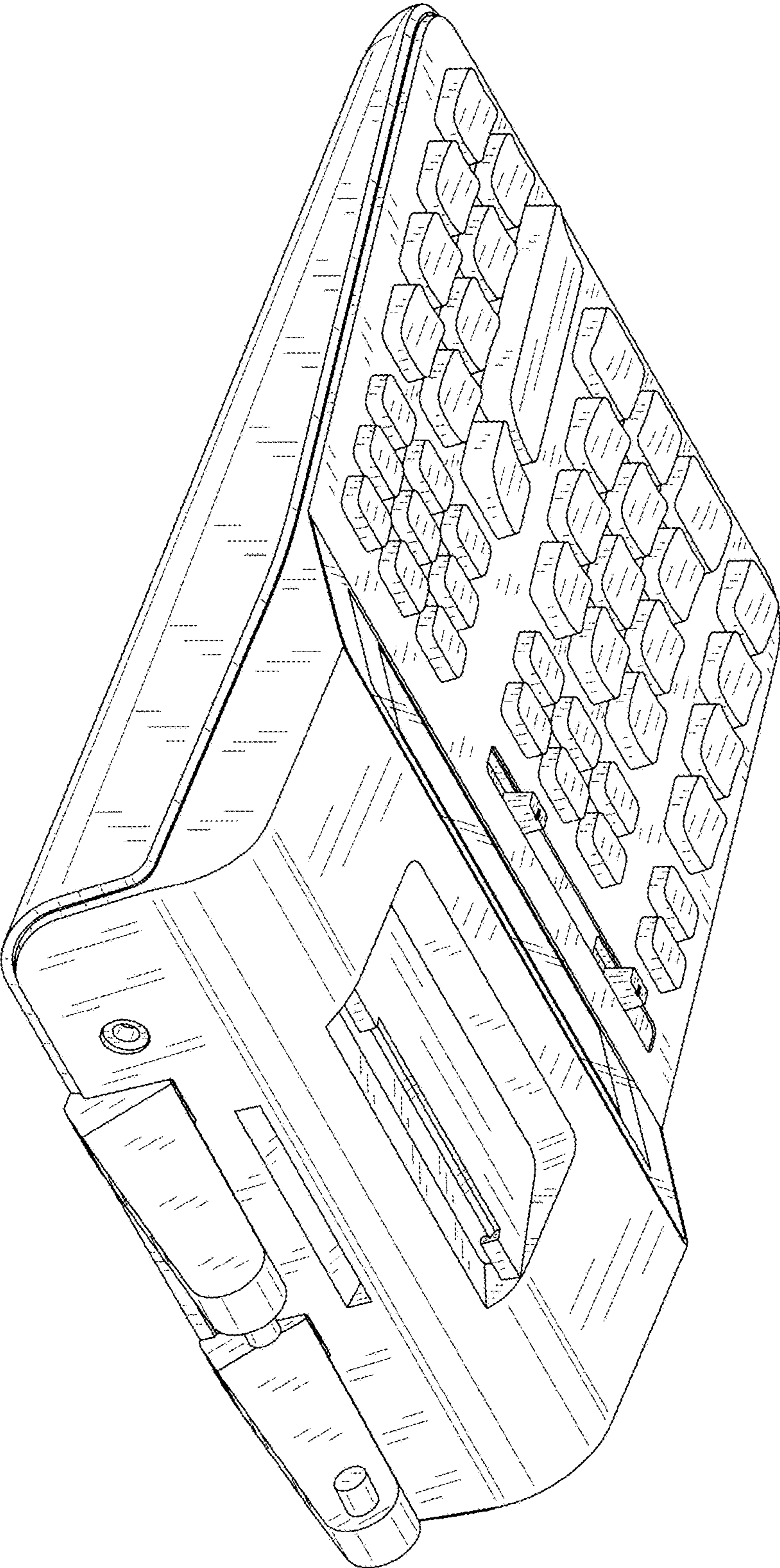
**FIG. 13**



**FIG. 14**



**FIG. 15**



**FIG. 16**