



US00D806782S

(12) **United States Design Patent**  
**Bernadac**

(10) **Patent No.:** **US D806,782 S**  
(45) **Date of Patent:** **\*\* Jan. 2, 2018**

- (54) **VIOLIN**
- (71) Applicant: **Laurent Bernadac**, Toulouse (FR)
- (72) Inventor: **Laurent Bernadac**, Toulouse (FR)
- (\*\*) Term: **15 Years**
- (21) Appl. No.: **35/501,077**
- (22) Filed: **Dec. 12, 2015**

|                   |         |            |       |                     |
|-------------------|---------|------------|-------|---------------------|
| D272,074 S *      | 1/1984  | Saidat     | ..... | D17/17              |
| D288,937 S *      | 3/1987  | Barrett    | ..... | D17/17              |
| D393,868 S *      | 4/1998  | Welling    | ..... | 84/274              |
| D403,013 S *      | 12/1998 | Honda      | ..... | D17/17              |
| 7,592,529 B2 *    | 9/2009  | Tamura     | ..... | G10D 3/12<br>84/309 |
| D607,486 S *      | 1/2010  | Kwak       | ..... | D17/17              |
| D738,427 S *      | 9/2015  | Glinkowski | ..... | D17/17              |
| 9,424,816 B2 *    | 8/2016  | Saito      | ..... | G10D 3/00           |
| D767,016 S *      | 9/2016  | Tatsumi    | ..... | D17/17              |
| 9,630,058 B2 *    | 4/2017  | Betts      | ..... | A63B 21/0414        |
| 2017/0140742 A1 * | 5/2017  | Kimura     | ..... | G10D 1/02           |

(80) **Hague Agreement Data**

Int. Filing Date: **Dec. 12, 2015**  
 Int. Reg. No.: **DM/088595**  
 Int. Reg. Date: **Dec. 12, 2015**  
 Int. Reg. Pub. Date: **Jun. 17, 2016**

\* cited by examiner

*Primary Examiner* — Michael A Pratt

- (51) **LOC (11) Cl.** ..... **17-03**
- (52) **U.S. Cl.**  
USPC ..... **D17/17**
- (58) **Field of Classification Search**  
USPC ..... D17/14, 16, 17-21, 22, 24, 99; D21/405  
CPC ..... G10D 1/085; G10D 1/02; G10D 3/00;  
G10D 3/04; G10D 3/12; G10D 3/18  
See application file for complete search history.

(57) **CLAIM**

The ornamental design for a violin, as shown and described.

(56) **References Cited**

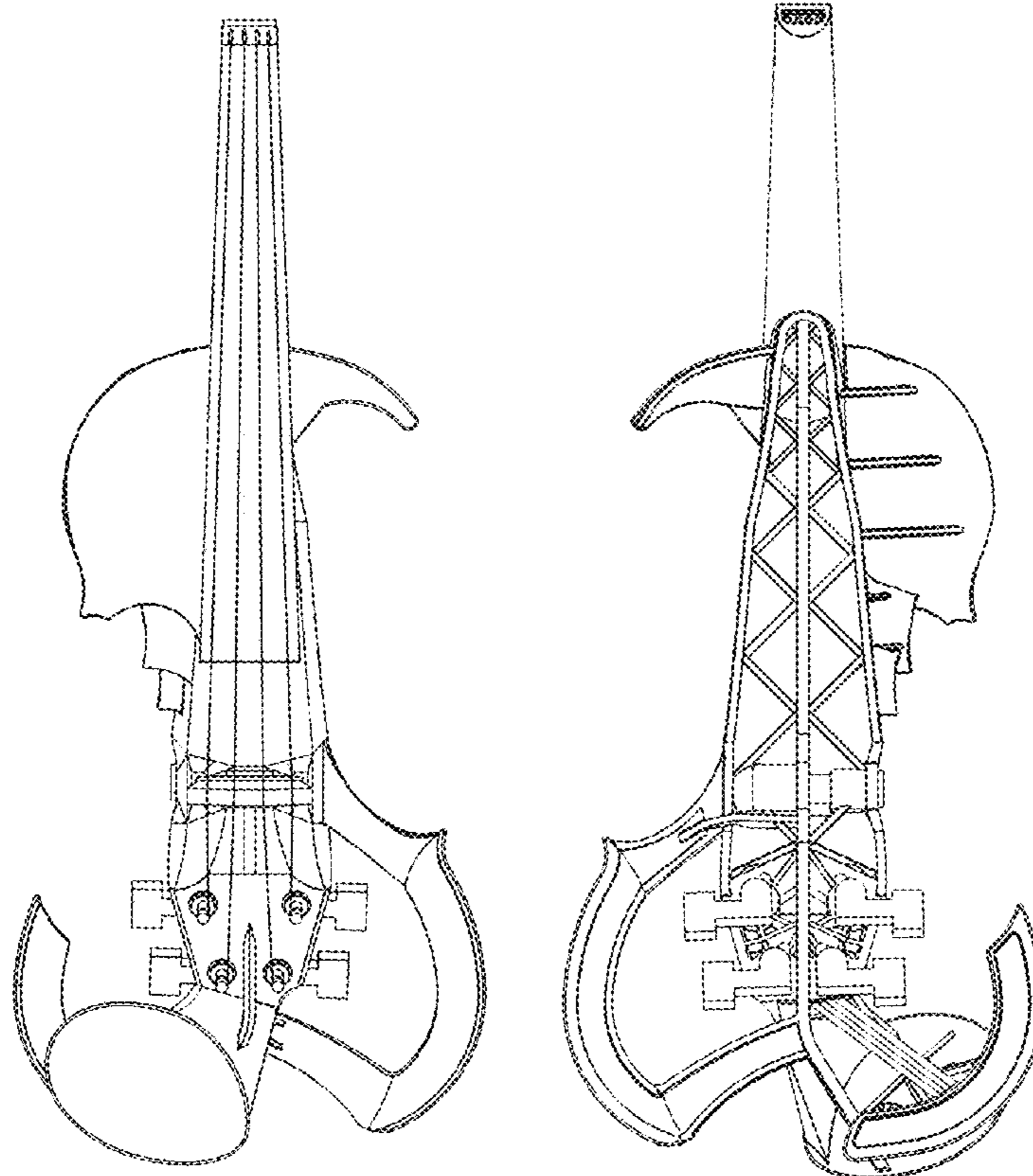
U.S. PATENT DOCUMENTS

|              |         |        |       |        |
|--------------|---------|--------|-------|--------|
| D270,255 S * | 8/1983  | Saidat | ..... | D17/17 |
| D271,023 S * | 10/1983 | Saidat | ..... | D17/17 |

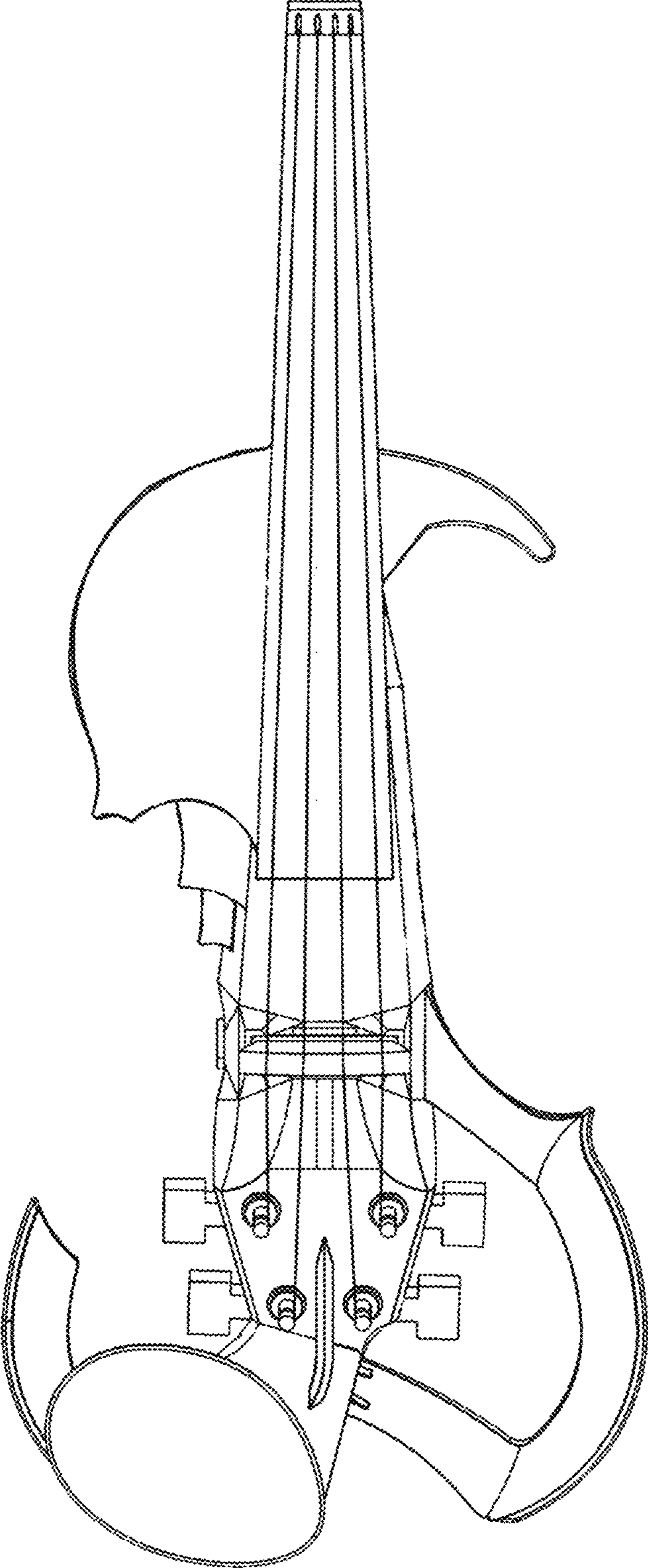
**DESCRIPTION**

- 1. Violin
- 1.1 : Front
- 1.2 : Back
- 1.3 : Left
- 1.4 : Right
- 1.5 : Bottom
- 1.6 : Top
- 1.7 : Perspective

**1 Claim, 7 Drawing Sheets**



1.1



1.2

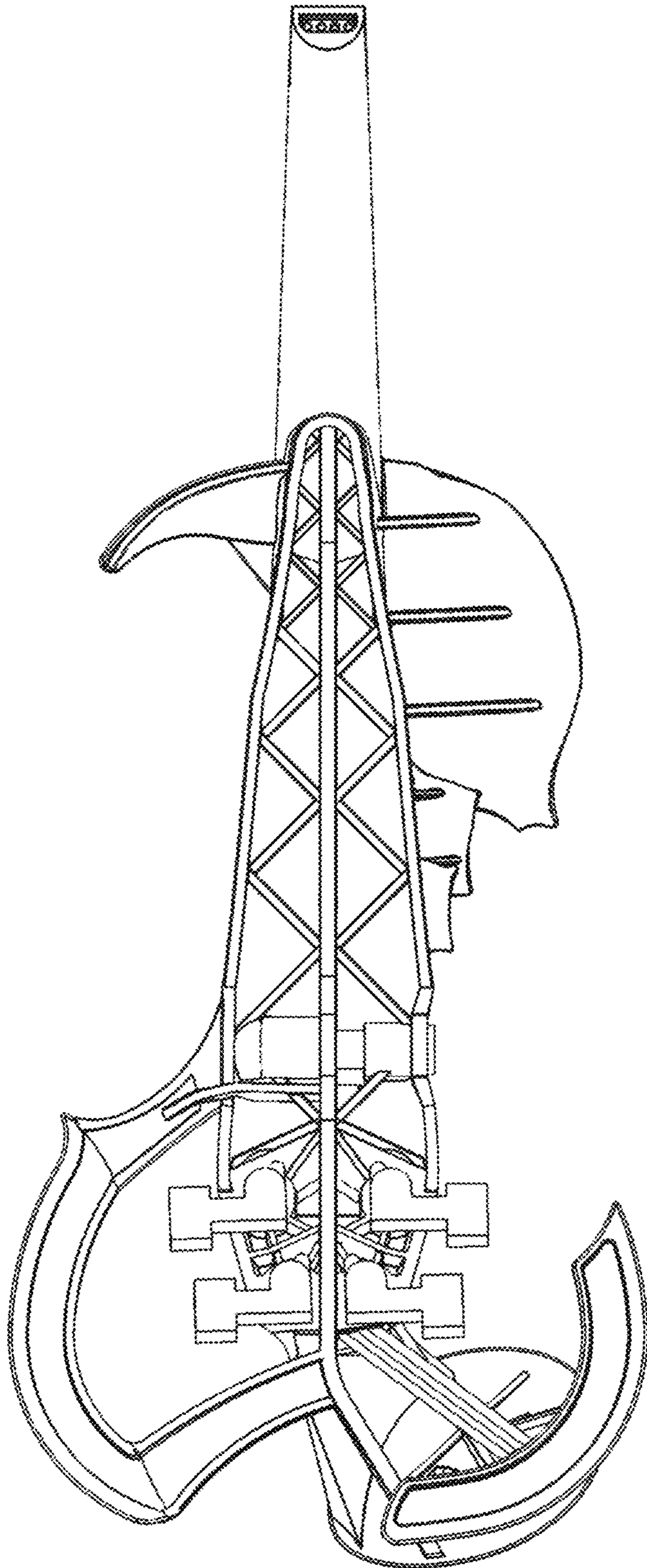


Figure 1.3

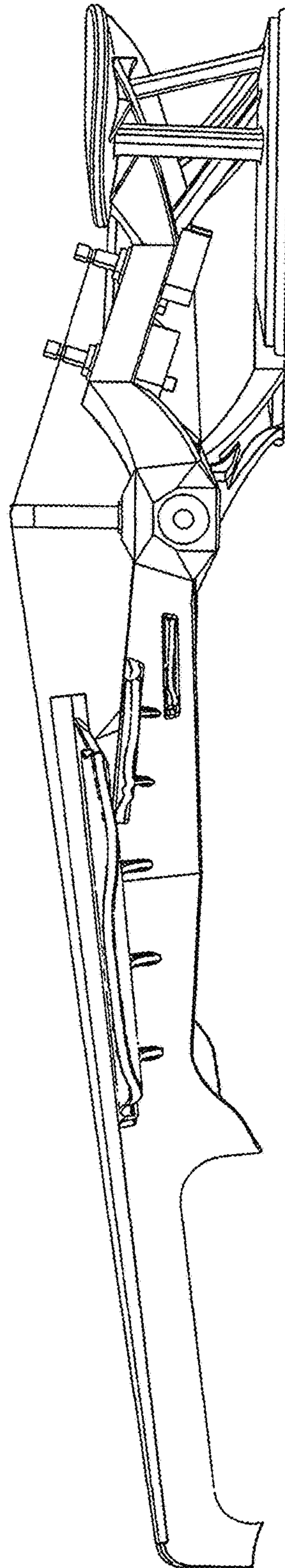
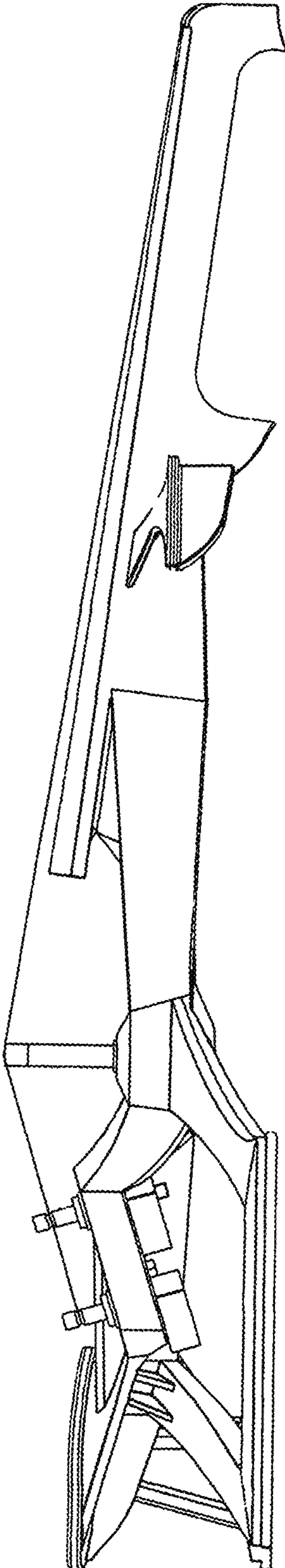
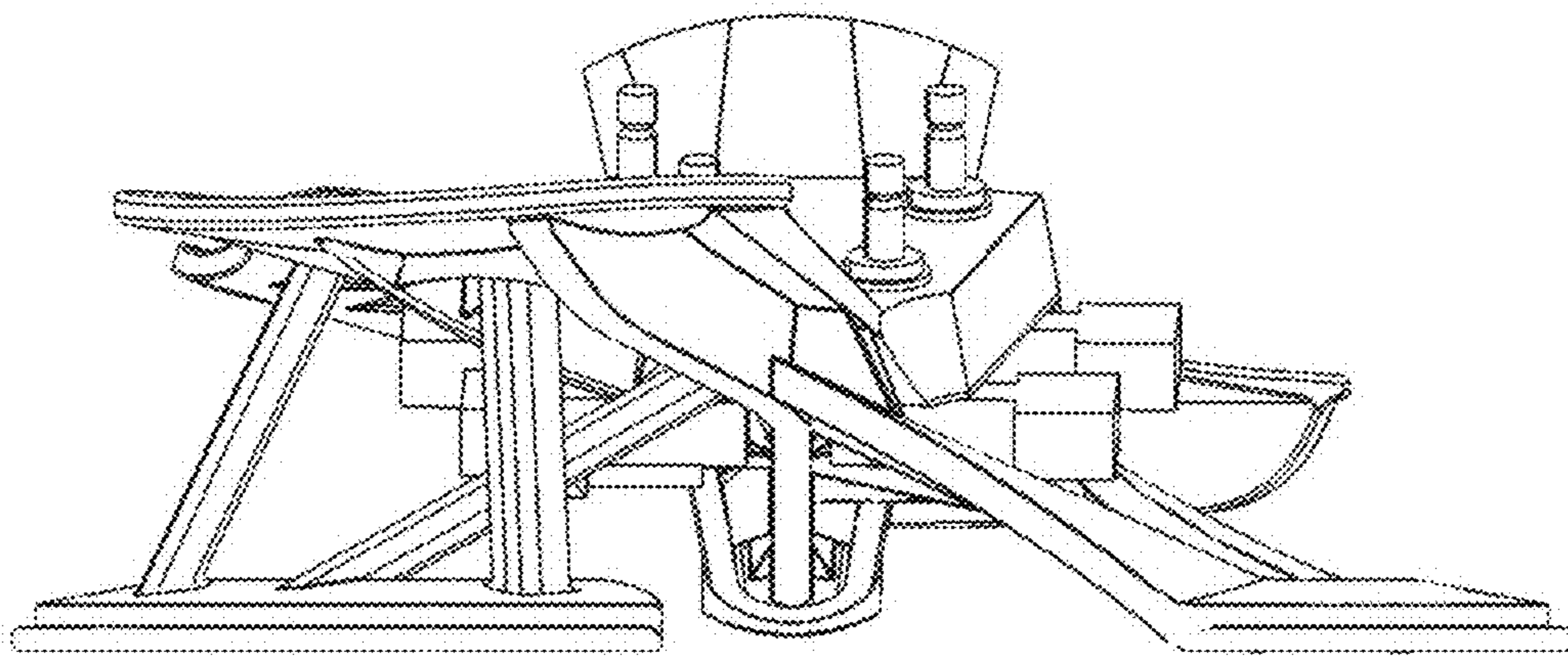


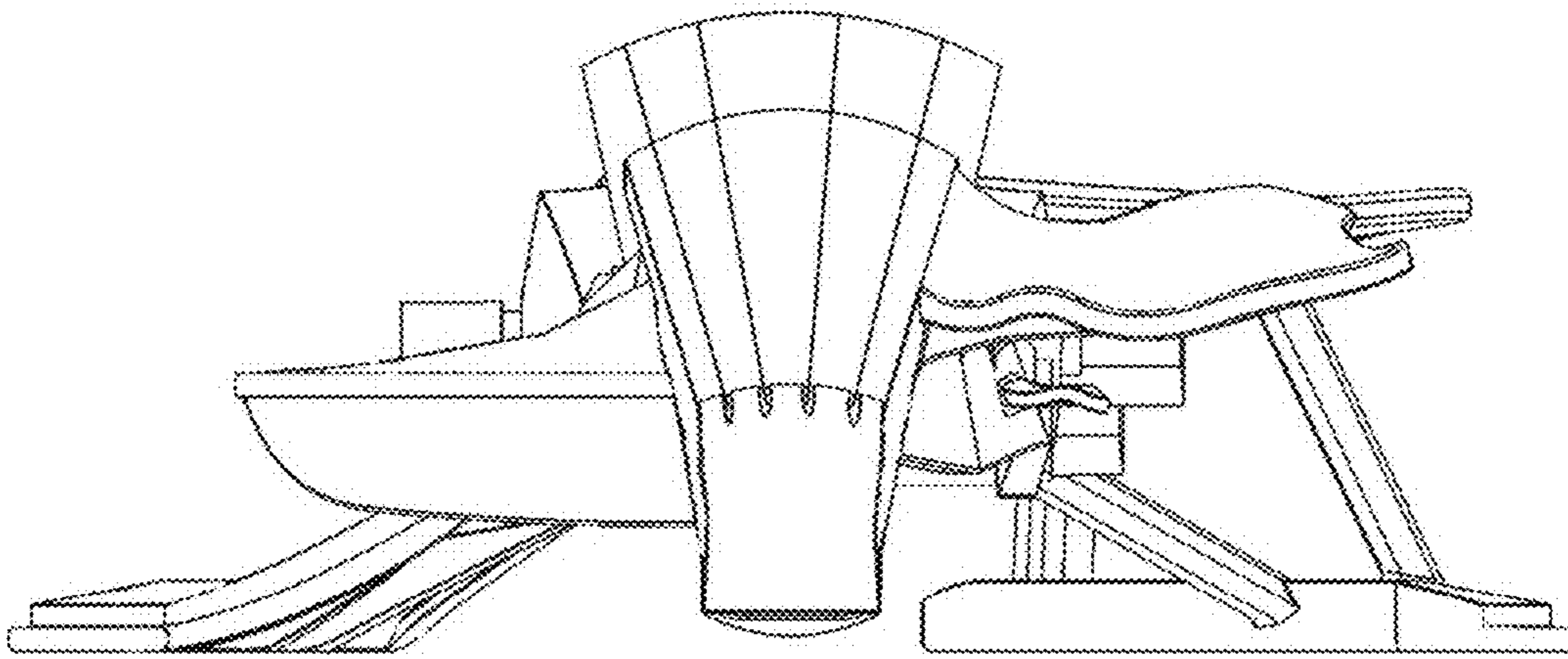
Figure 1.4



1.5



1.6



1.7

