



US00D806780S

(12) **United States Design Patent** (10) **Patent No.:** **US D806,780 S**  
**Martin et al.** (45) **Date of Patent:** **\*\* Jan. 2, 2018**

- (54) **FLOATABLE SELFIE STICK FOR PORTABLE CAMERA**
- (71) Applicant: **OCLU, LLC**, Tempe, AZ (US)
- (72) Inventors: **Hugo Martin**, Oxfordshire (GB);  
**Robert William Moore**, Theale (GB);  
**Firas Kittaneh**, Tempe, AZ (US)
- (73) Assignee: **OCLU LIMITED**, East Grinstead (GB)
- (\*\*) Term: **15 Years**
- (21) Appl. No.: **29/551,181**
- (22) Filed: **Jan. 11, 2016**
- (51) **LOC (11) Cl.** ..... **16-05**
- (52) **U.S. Cl.**  
USPC ..... **D16/243**
- (58) **Field of Classification Search**  
USPC ..... D16/200, 204, 208, 213–219, 235,  
D16/237–250; D14/217, 229, 250–253;  
D8/363, 373, 394  
CPC ..... G03B 17/02–17/04; G03B 17/14; G03B  
17/56; G03B 17/561–17/568; G03B  
21/20; G02B 7/00–7/002; F16M 11/02;  
F16M 11/04; F16M 11/20; F16M 11/40;  
A45F 5/00; A45F 5/10; A45F  
2200/0508–2200/0533  
See application file for complete search history.

9,316,346	B2 *	4/2016	Lau	.....	F16M 11/126
D758,474	S *	6/2016	Harrison	.....	D16/242
D766,230	S *	9/2016	Shepard	.....	D14/253
D785,074	S *	4/2017	Woodman	.....	D16/243
2017/0085284	A1 *	3/2017	Ai	.....	H04B 1/3888

**OTHER PUBLICATIONS**

GoPro 3-Way Grip, Arm, Tripod (GoPro Official Mount). [online] Published date Jun. 1, 2014. Retrieved on Jun. 7, 2017 from <URL: <https://www.amazon.com/GoPro-3-Way-Tripod-Official-Mount/dp/B00KCX8H6E>>.\*  
Truly immersive footage. [online] Published date unknown. Retrieved on Jun. 16, 2017 from <URL: <https://productdesignaward.eu/winners/winner.php?id=8563&count=4&mode=>>>.\*

\* cited by examiner

*Primary Examiner* — Vy N Koenig  
*Assistant Examiner* — Omeed Agilee  
(74) *Attorney, Agent, or Firm* — Weiss & Moy, P.C.;  
Jeffrey D. Moy

(57) **CLAIM**

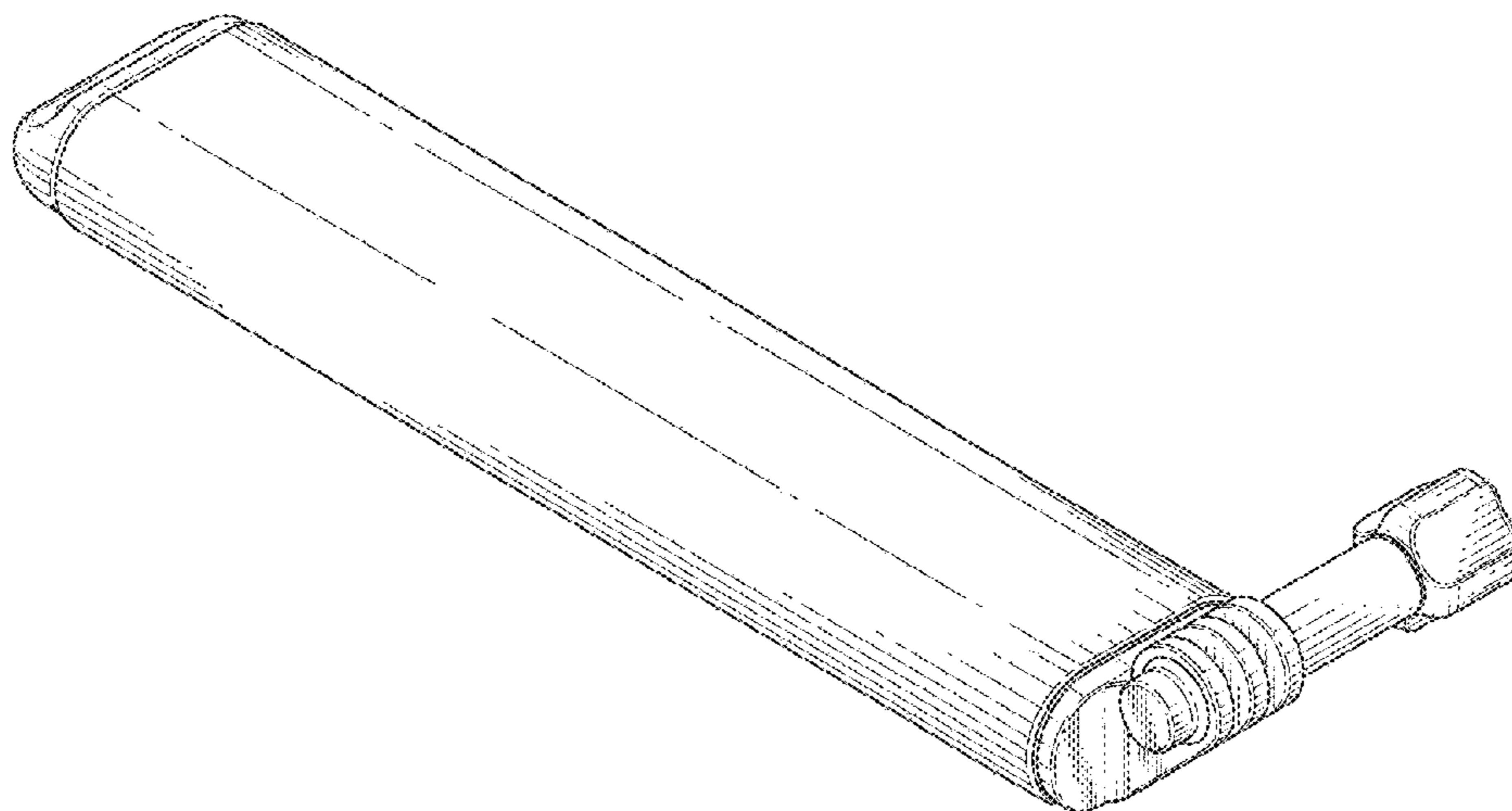
The ornamental design for a floatable selfie stick for portable camera, as shown and described.

**DESCRIPTION**

FIG. 1 is a front, left, and top perspective view of a floatable selfie stick for portable camera;  
FIG. 2 is a front elevational view thereof;  
FIG. 3 is a rear elevational view thereof;  
FIG. 4 is a right side elevational view thereof;  
FIG. 5 is a left side elevational view thereof;  
FIG. 6 is a top plan view thereof; and,  
FIG. 7 is a bottom plan view thereof.  
The broken lines shown in the drawings depict portions of the floatable selfie stick for portable camera that form no part of the claimed design.

**1 Claim, 3 Drawing Sheets**

- (56) **References Cited**  
U.S. PATENT DOCUMENTS  
4,091,402 A \* 5/1978 Siegel ..... G03B 15/041  
362/3  
4,208,028 A \* 6/1980 Brown ..... F16M 13/04  
224/185  
5,538,214 A \* 7/1996 Sinila ..... A61B 5/04004  
248/278.1  
D542,457 S \* 5/2007 Fisherman ..... D26/60  
D715,300 S \* 10/2014 Shen ..... D14/423  
D746,353 S \* 12/2015 Woodman ..... D16/242



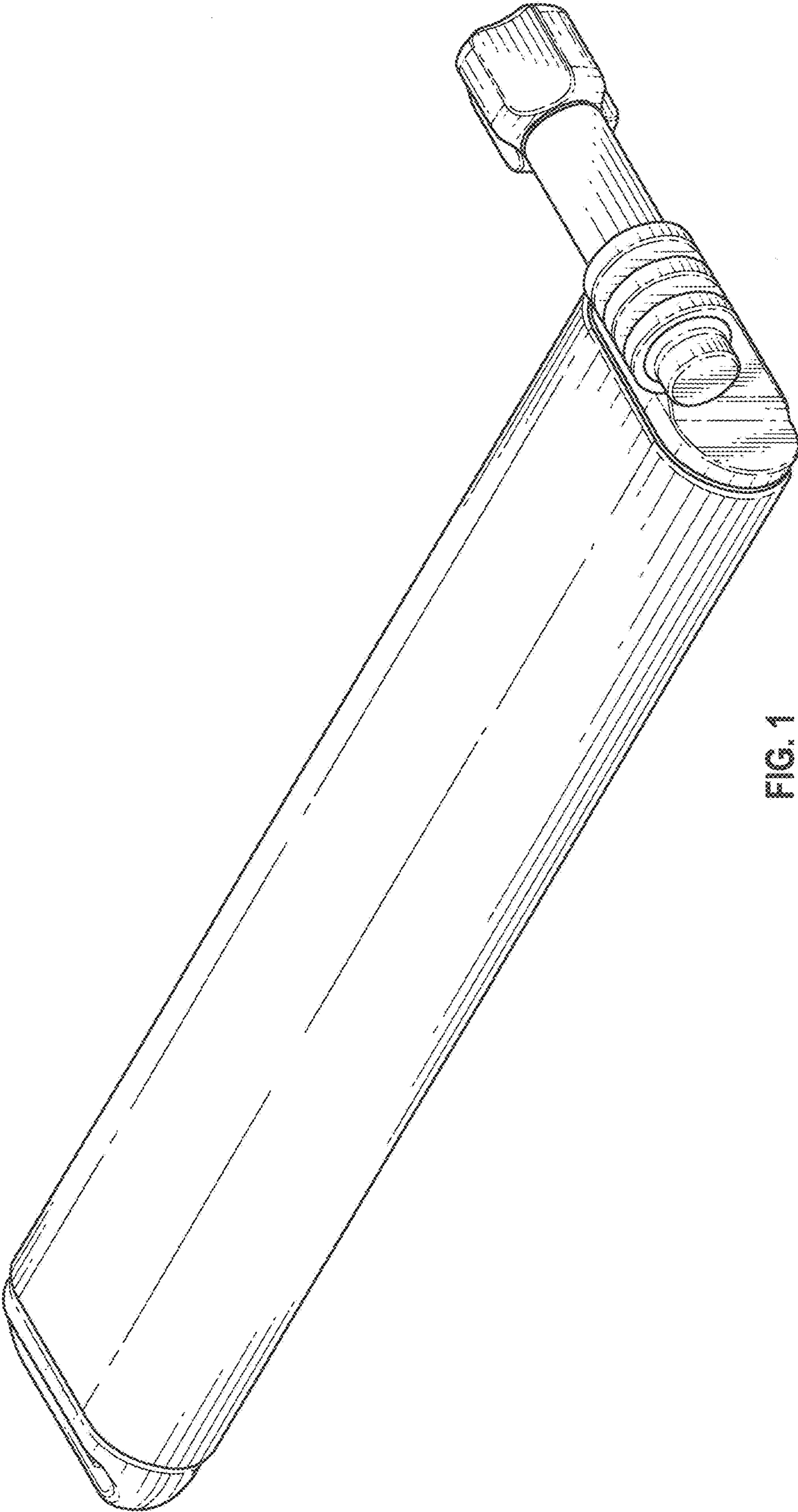


FIG. 1

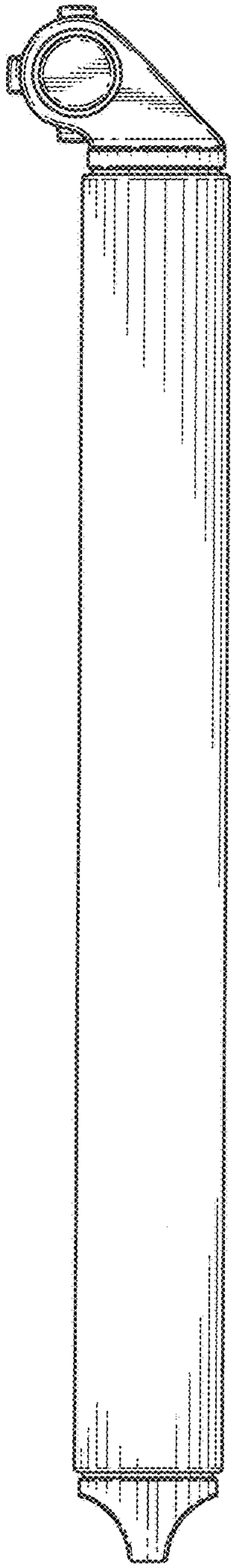


FIG. 2

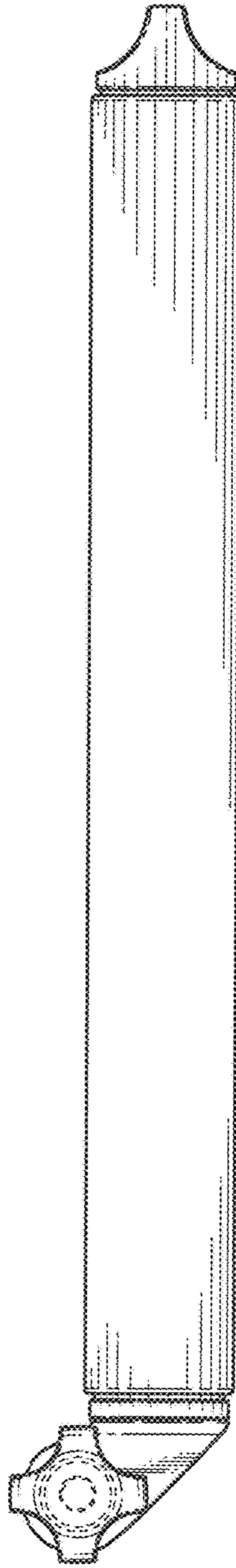


FIG. 3

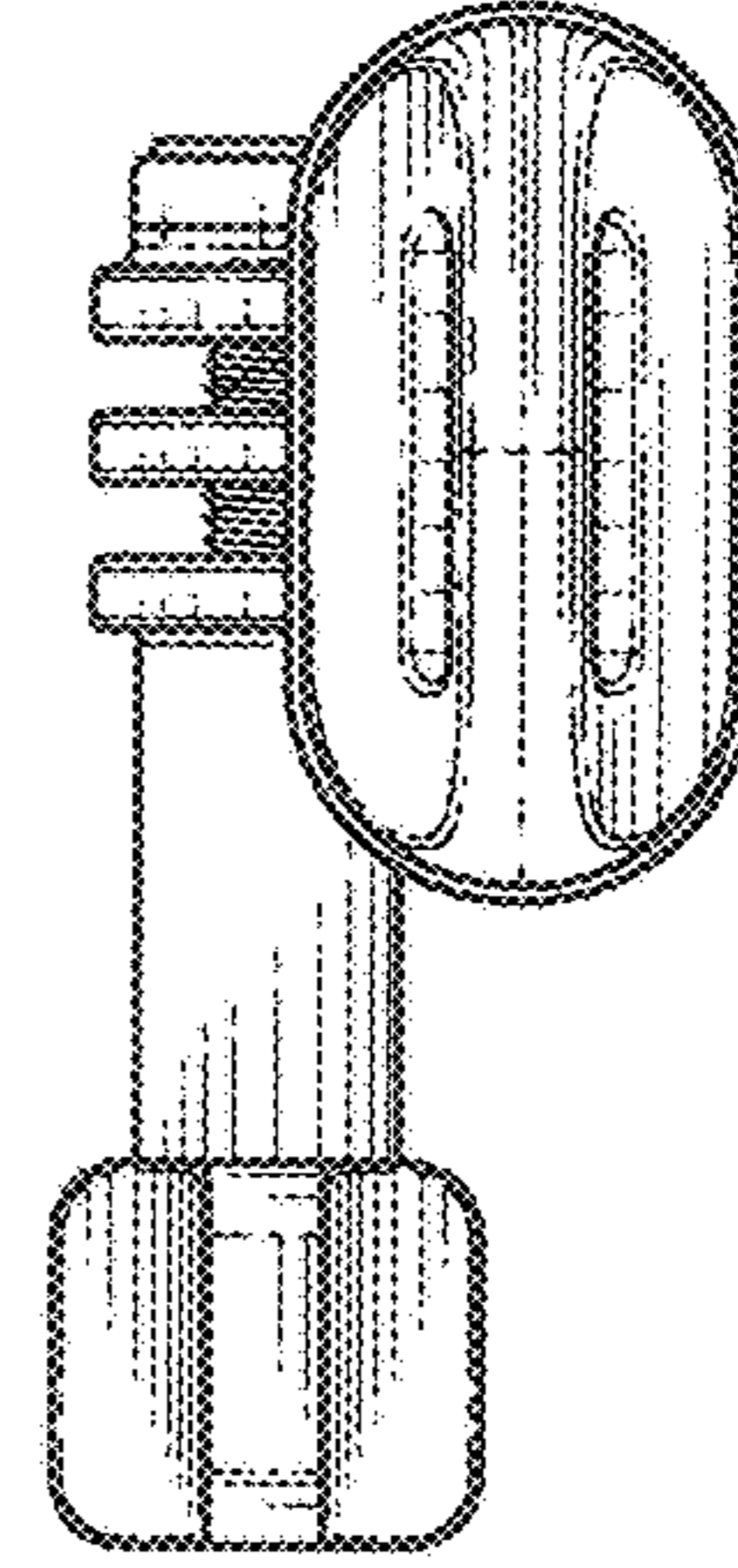


FIG. 4

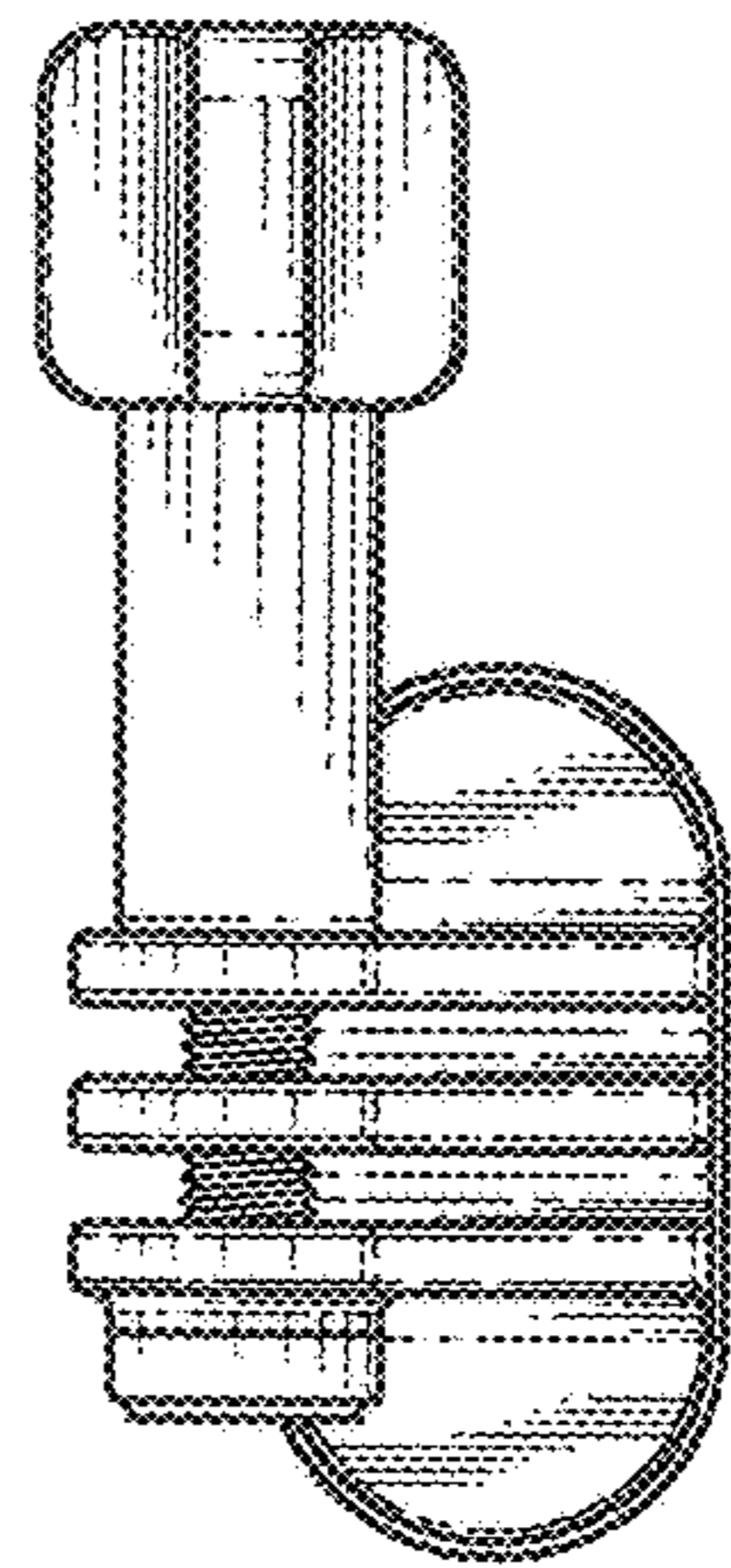


FIG. 5



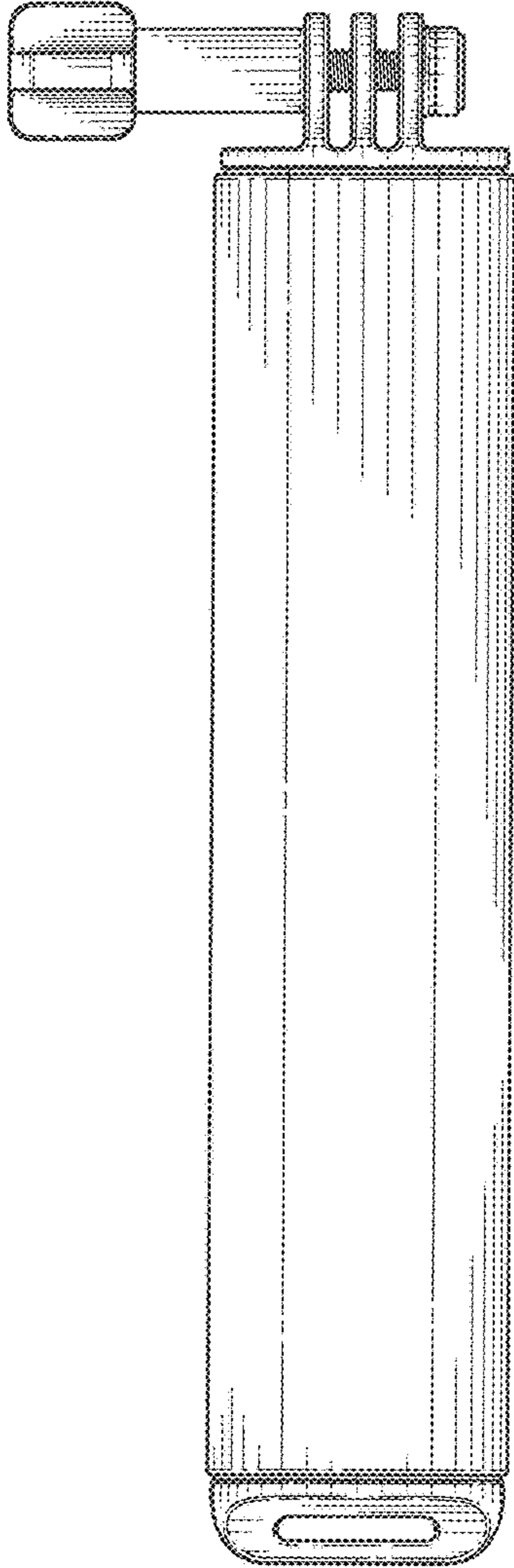


FIG. 6

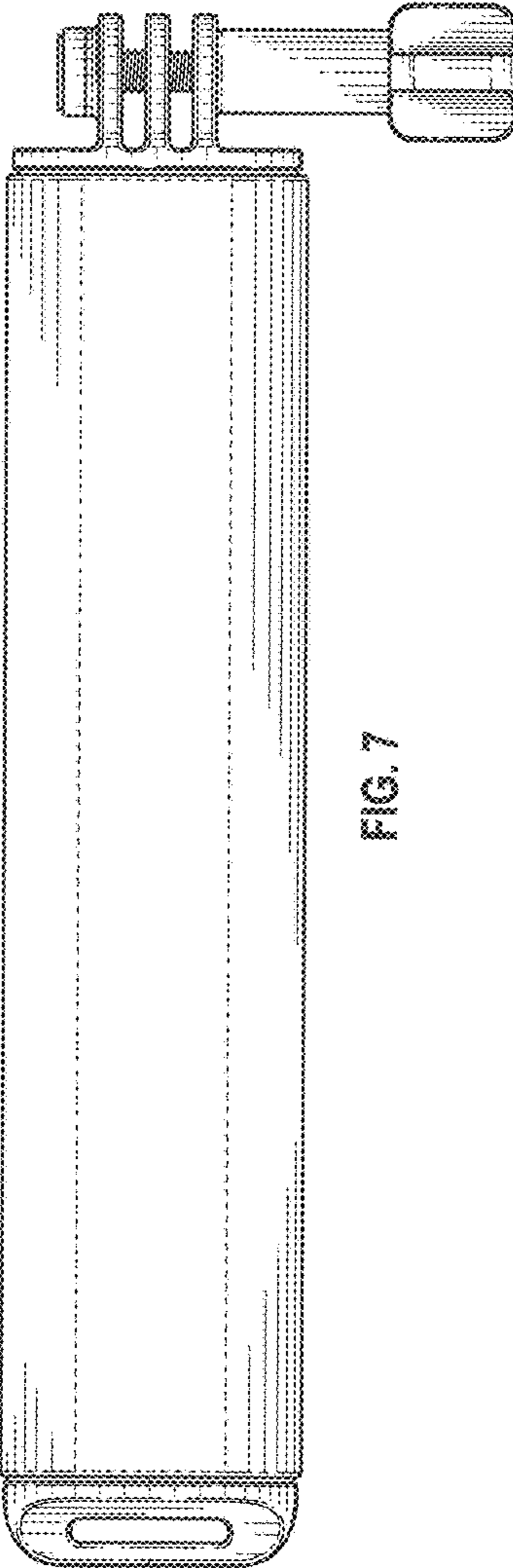


FIG. 7