



US00D806776S

(12) **United States Design Patent**
Yoshimura

(10) **Patent No.:** **US D806,776 S**
(45) **Date of Patent:** **** Jan. 2, 2018**

(54) **VIDEO PROJECTOR**
(71) Applicant: **JVC KENWOOD Corporation,**
Yokohama-shi, Kanagawa (JP)
(72) Inventor: **Satoshi Yoshimura,** Yokohama (JP)
(73) Assignee: **JVC KENWOOD Corporation,**
Kanagawa (JP)

D548,263 S * 8/2007 Nakanishi D16/230
D596,656 S * 7/2009 Nakanishi D16/230
7,850,309 B2 * 12/2010 Hirouchi G03B 21/145
353/52
D655,329 S * 3/2012 Nakanishi D16/230
D690,759 S * 10/2013 Moriya D16/225
D775,681 S * 1/2017 Yuyama D16/230

(**) Term: **15 Years**

(21) Appl. No.: **29/580,687**

(22) Filed: **Oct. 12, 2016**

(30) **Foreign Application Priority Data**

Aug. 4, 2016 (JP) 2016-016688

(51) **LOC (11) Cl.** **16-02**

(52) **U.S. Cl.**
USPC **D16/230**

(58) **Field of Classification Search**
USPC D16/221, 225, 230-231, 234; D21/514
CPC G03B 21/145; G03B 21/14; G03B 21/00;
G03B 21/001; G03B 21/003; G03B
21/16; G03B 21/28
See application file for complete search history.

(56) **References Cited**

U.S. PATENT DOCUMENTS

D436,979 S * 1/2001 Yokoyama D16/231
D449,061 S * 10/2001 Lim D16/231

FOREIGN PATENT DOCUMENTS

JP D1567359 * 8/2016

* cited by examiner

Primary Examiner — Wan Laymon

(74) *Attorney, Agent, or Firm* — Amin, Turocy & Watson
LLP

(57) **CLAIM**

The ornamental design for a video projector, as shown and described.

DESCRIPTION

FIG. 1 is a front, top and right side perspective view of a video projector showing my new design;
FIG. 2 is a rear, top and left side perspective view thereof;
FIG. 3 is a front elevational view thereof;
FIG. 4 is a rear elevational view thereof;
FIG. 5 is a top plan view thereof;
FIG. 6 is a bottom plan view thereof;
FIG. 7 is a right side elevational view thereof; and,
FIG. 8 is a left side elevational view thereof.
The broken lines shown in the figures represent portions of the projector that form no part of the claimed design.

1 Claim, 8 Drawing Sheets

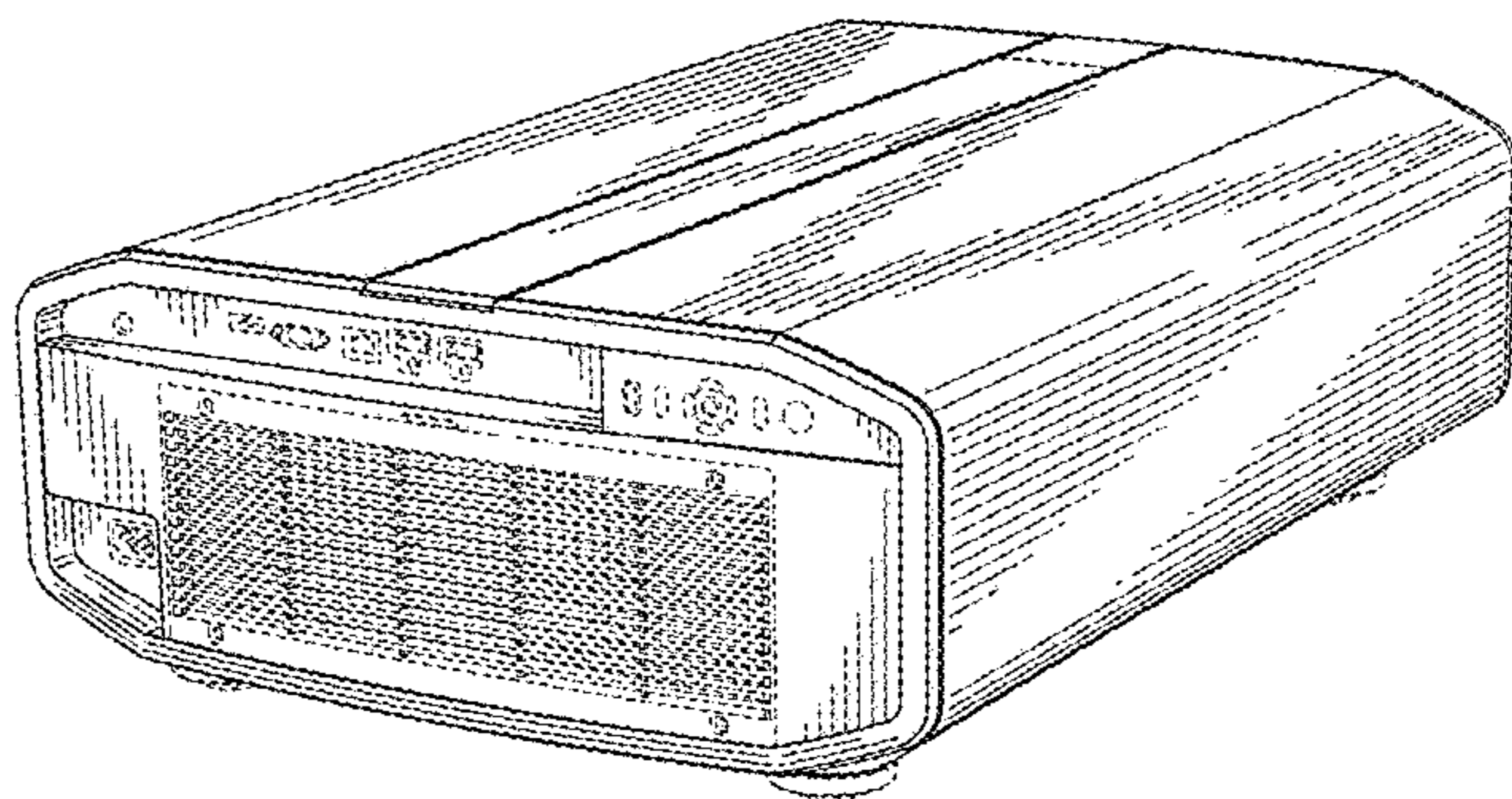
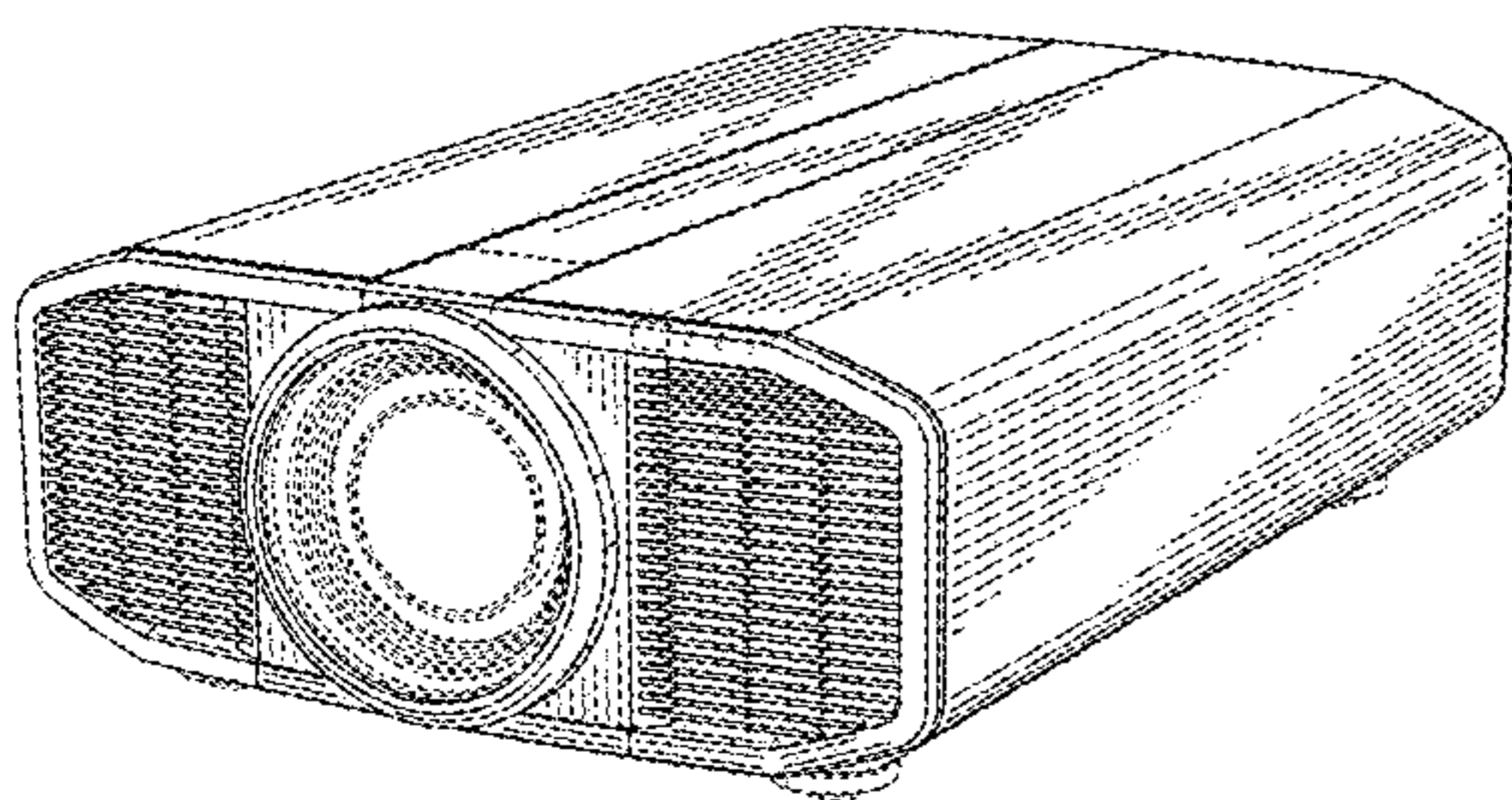


FIG. 1

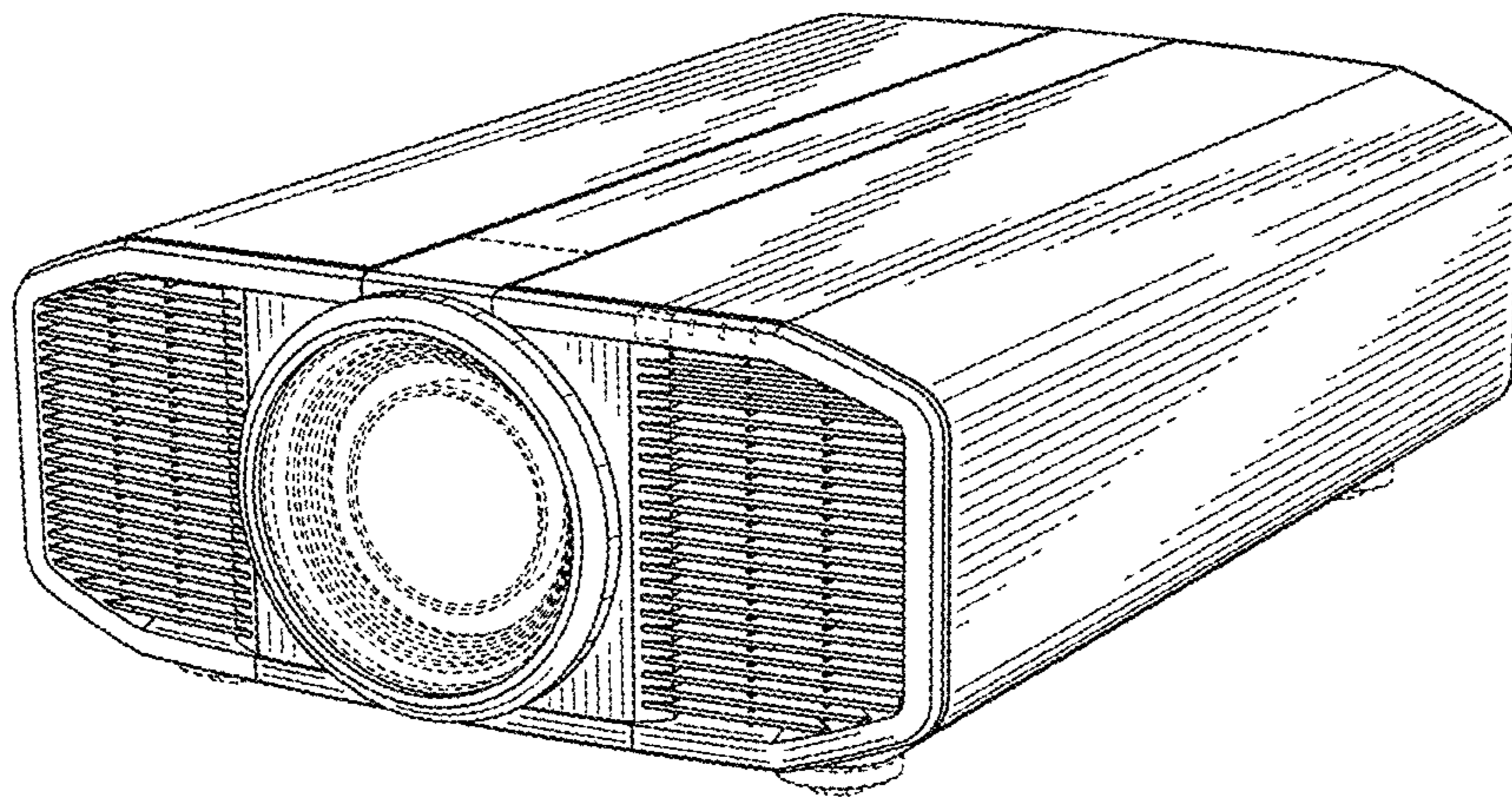


FIG. 2

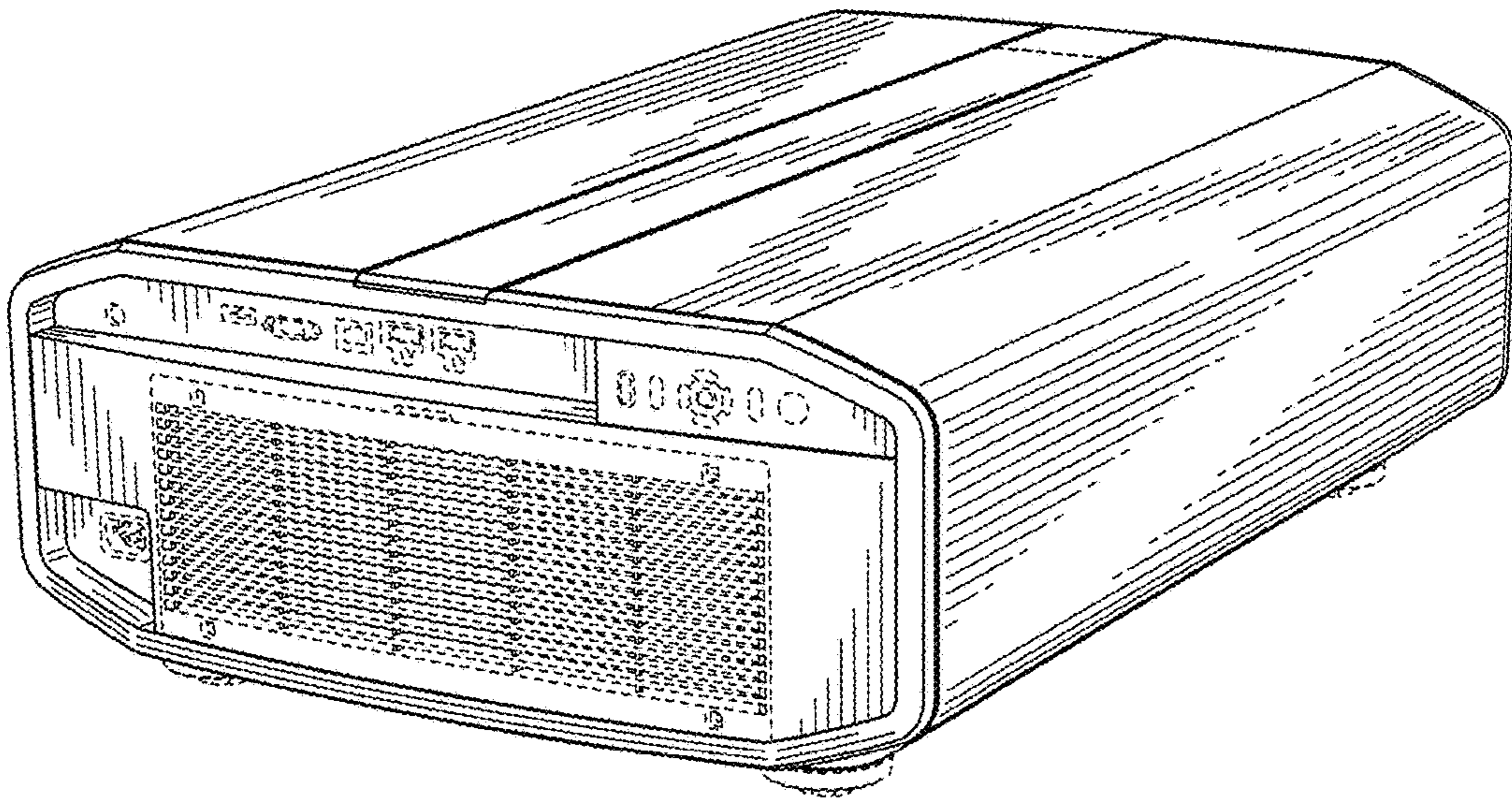


FIG. 3

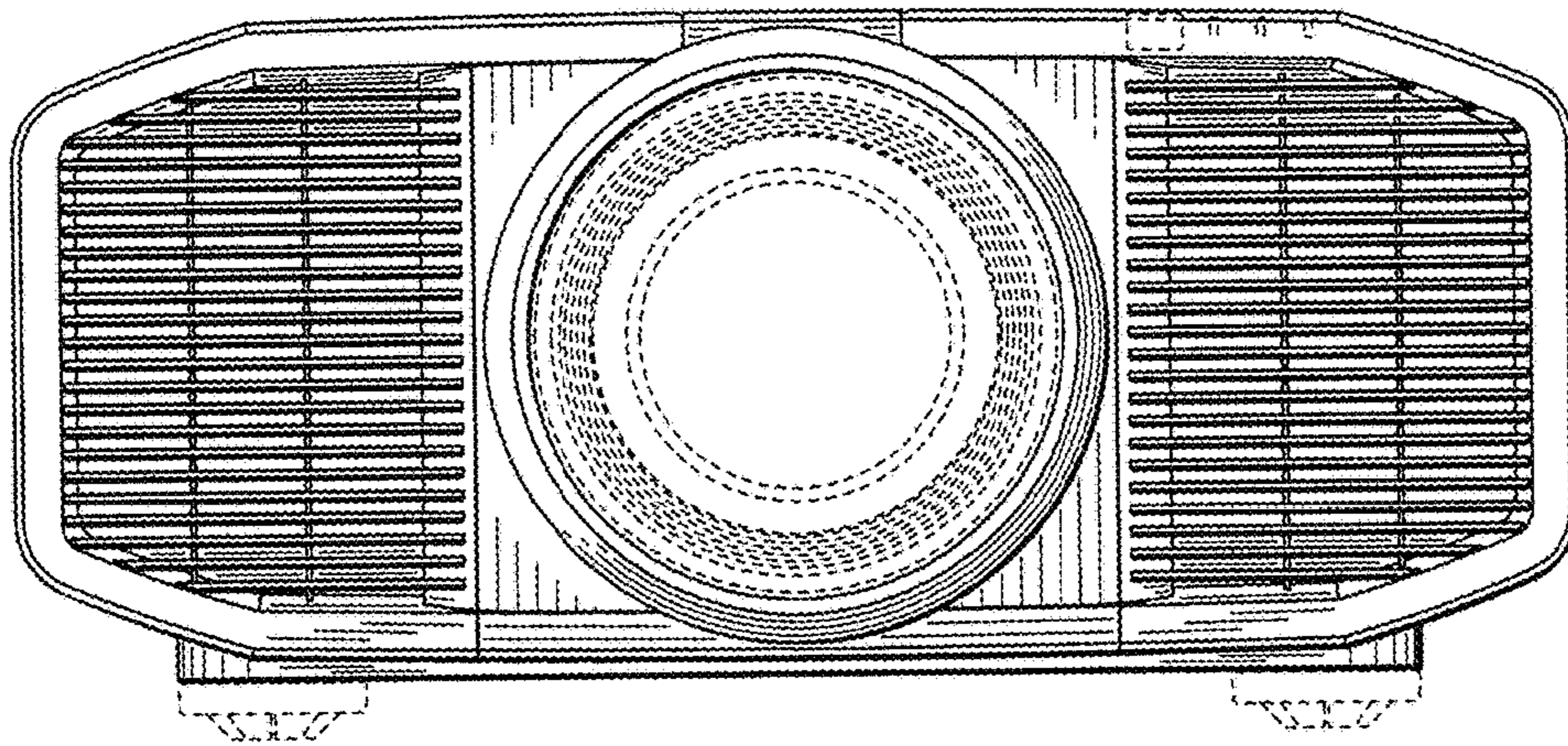


FIG. 4

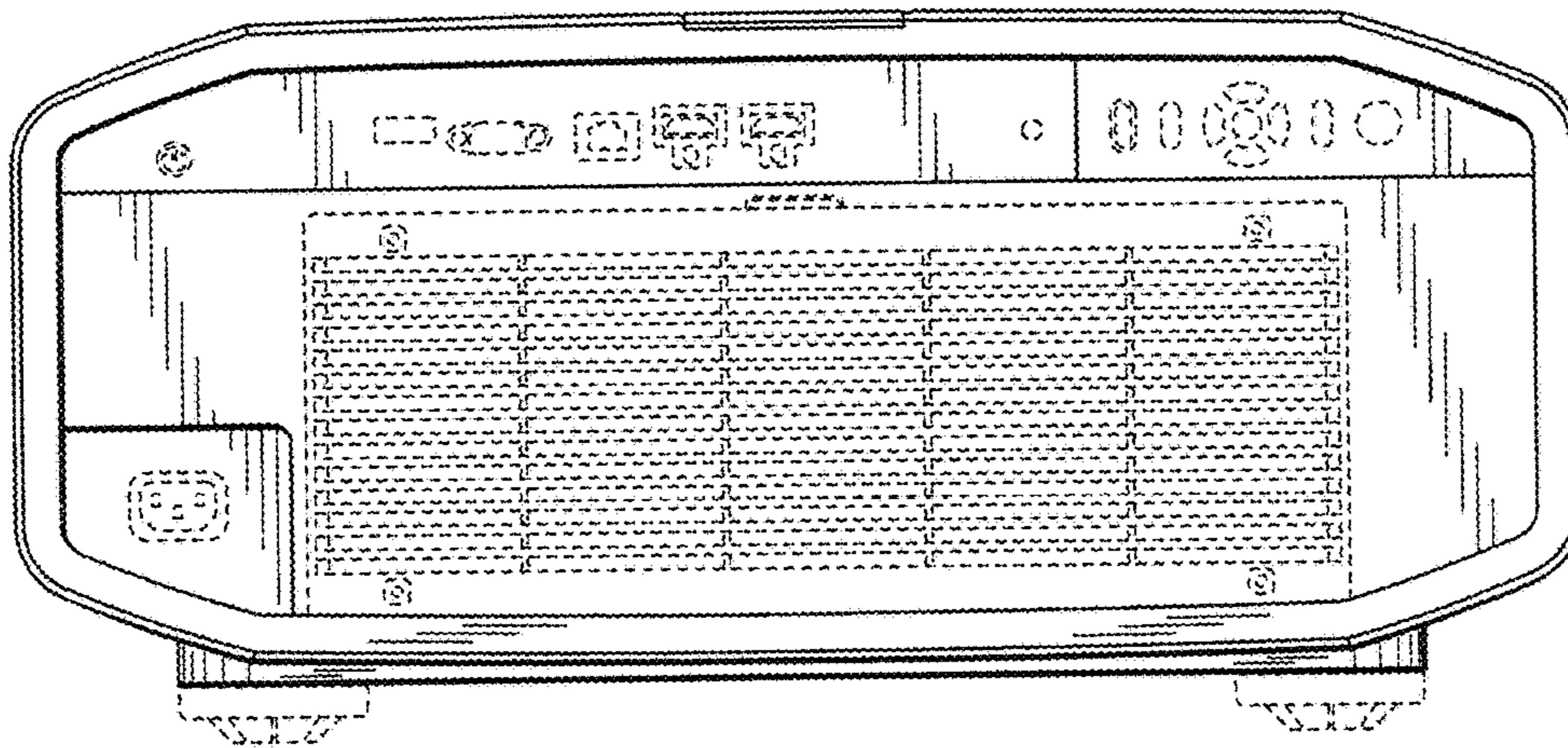


FIG. 5

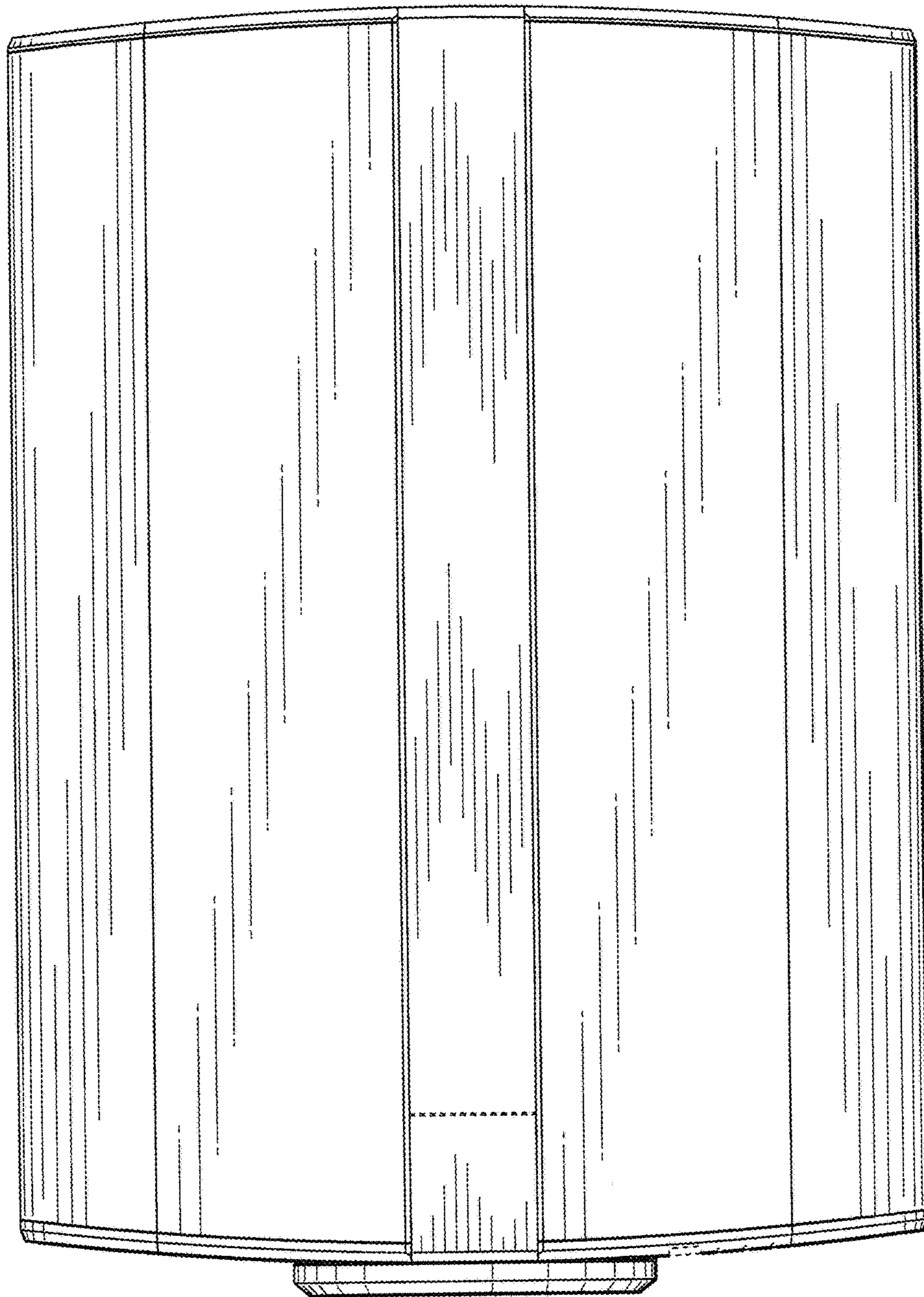


FIG. 6

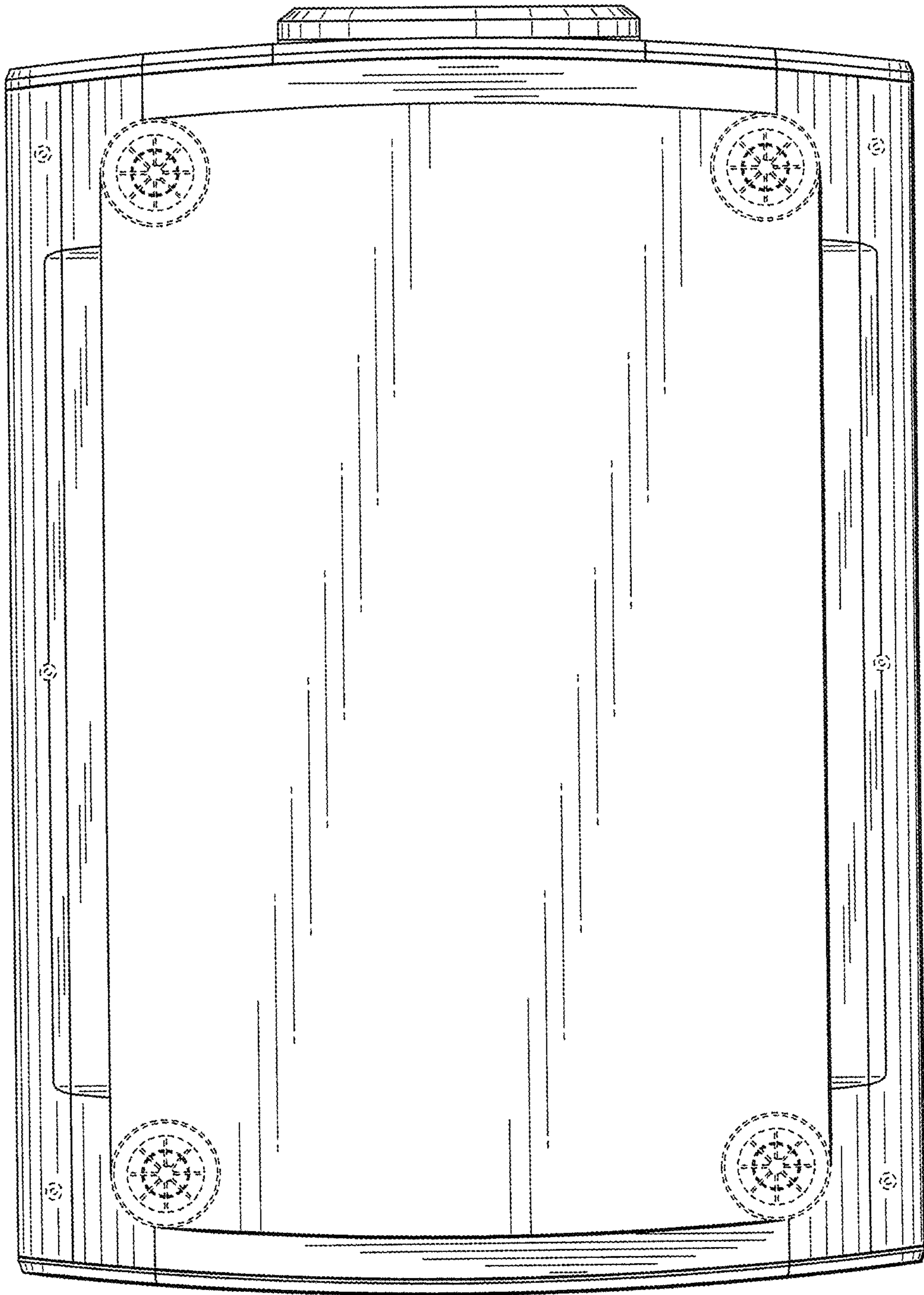


FIG. 7

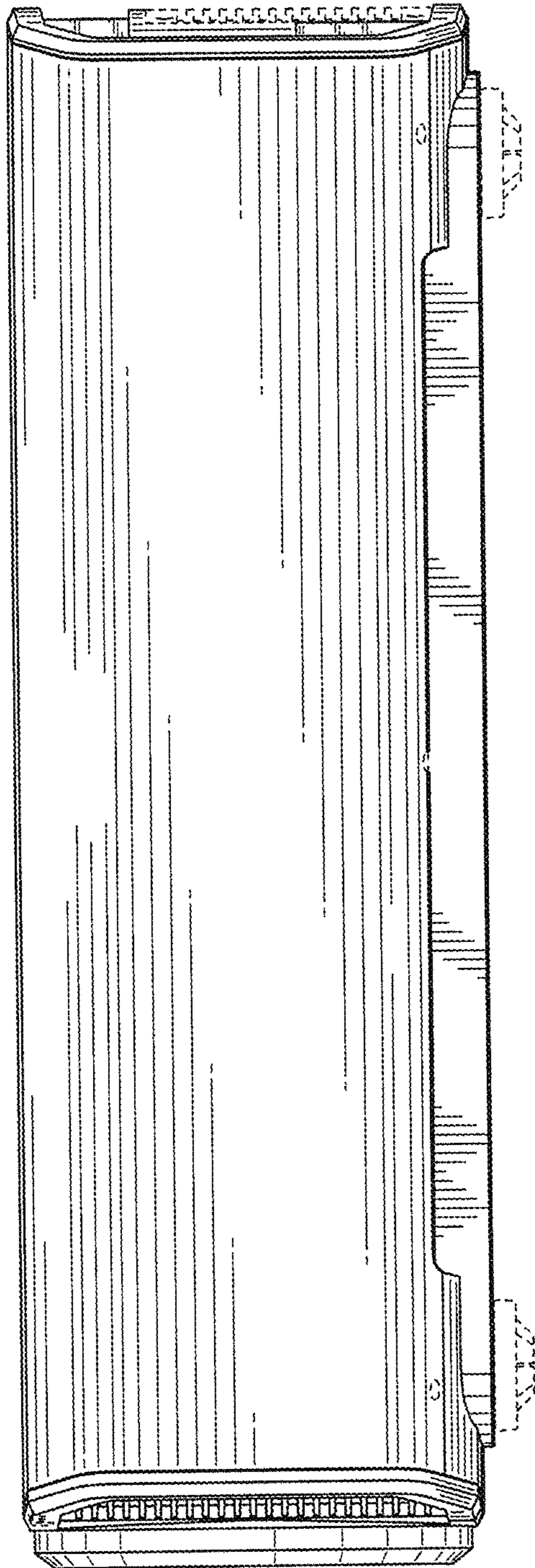


FIG. 8

