

US00D806773S

(12) **United States Design Patent**  
**Wieser et al.**

(10) **Patent No.:** **US D806,773 S**  
(45) **Date of Patent:** **\*\* Jan. 2, 2018**

(54) **CAMERA**

(71) Applicant: **Robert Bosch GmbH**, Stuttgart (DE)

(72) Inventors: **Matthias Wieser**, Wendlingen (DE);  
**Andreas Dimitriadis**, Lorch (DE)

(73) Assignee: **Robert Bosch GmbH**, Stuttgart (DE)

(\*\*) Term: **15 Years**

(21) Appl. No.: **29/536,730**

(22) Filed: **Aug. 19, 2015**

(30) **Foreign Application Priority Data**

Feb. 20, 2015 (EM) ..... 002638122

(51) **LOC (11) Cl.** ..... **16-01**

(52) **U.S. Cl.**  
USPC ..... **D16/203**

(58) **Field of Classification Search**

USPC ..... D16/200, 202–205, 208, 214, 218, 219,  
D16/242; 348/14.01–14.06, 143, 148,  
348/151, 373–376; 396/419, 427, 535,  
396/539–541

CPC ..... G03B 17/02; G03B 19/04; G03B 17/56;  
G03B 17/04; G03B 15/03; H04N 5/2251;  
H04N 5/2252; H04N 5/2253; H04N  
5/2254; H04N 2007/145; H04N 7/141;  
H04N 7/142; H04N 7/147; H04N 7/148;  
H04N 7/15; H04N 7/152

See application file for complete search history.

(56) **References Cited**

**U.S. PATENT DOCUMENTS**

D496,381 S \* 9/2004 McDonald ..... D16/203  
D534,938 S \* 1/2007 Beasley ..... D14/130  
D589,996 S \* 4/2009 Kellar ..... D16/203  
D701,893 S \* 4/2014 Bart ..... D16/203

D709,118 S \* 7/2014 Yu ..... D16/203  
D727,388 S \* 4/2015 Huang ..... D16/214  
D728,655 S \* 5/2015 Daniel ..... D16/203  
D732,594 S \* 6/2015 Kawa ..... D16/202  
D743,467 S \* 11/2015 Bhattacharya ..... D16/203  
D746,350 S \* 12/2015 Li ..... D16/203  
D747,383 S \* 1/2016 Li ..... D16/203  
D764,958 S \* 8/2016 Scalisi ..... D10/118.2  
2009/0201413 A1 \* 8/2009 Fishman ..... H04N 5/2252  
348/373

\* cited by examiner

*Primary Examiner* — Philip S Hyder

*Assistant Examiner* — Ramzi Almatrahi

(74) *Attorney, Agent, or Firm* — Maginot, Moore & Beck  
LLP

(57) **CLAIM**

The ornamental design for a camera, as shown and  
described.

**DESCRIPTION**

FIG. 1 is a front perspective view of a camera showing our  
new design;

FIG. 2 is a rear perspective view showing the design for the  
camera of FIG. 1;

FIG. 3 is a front elevational view showing the design for the  
camera of FIG. 1;

FIG. 4 is a rear elevational view showing the design for the  
camera of FIG. 1;

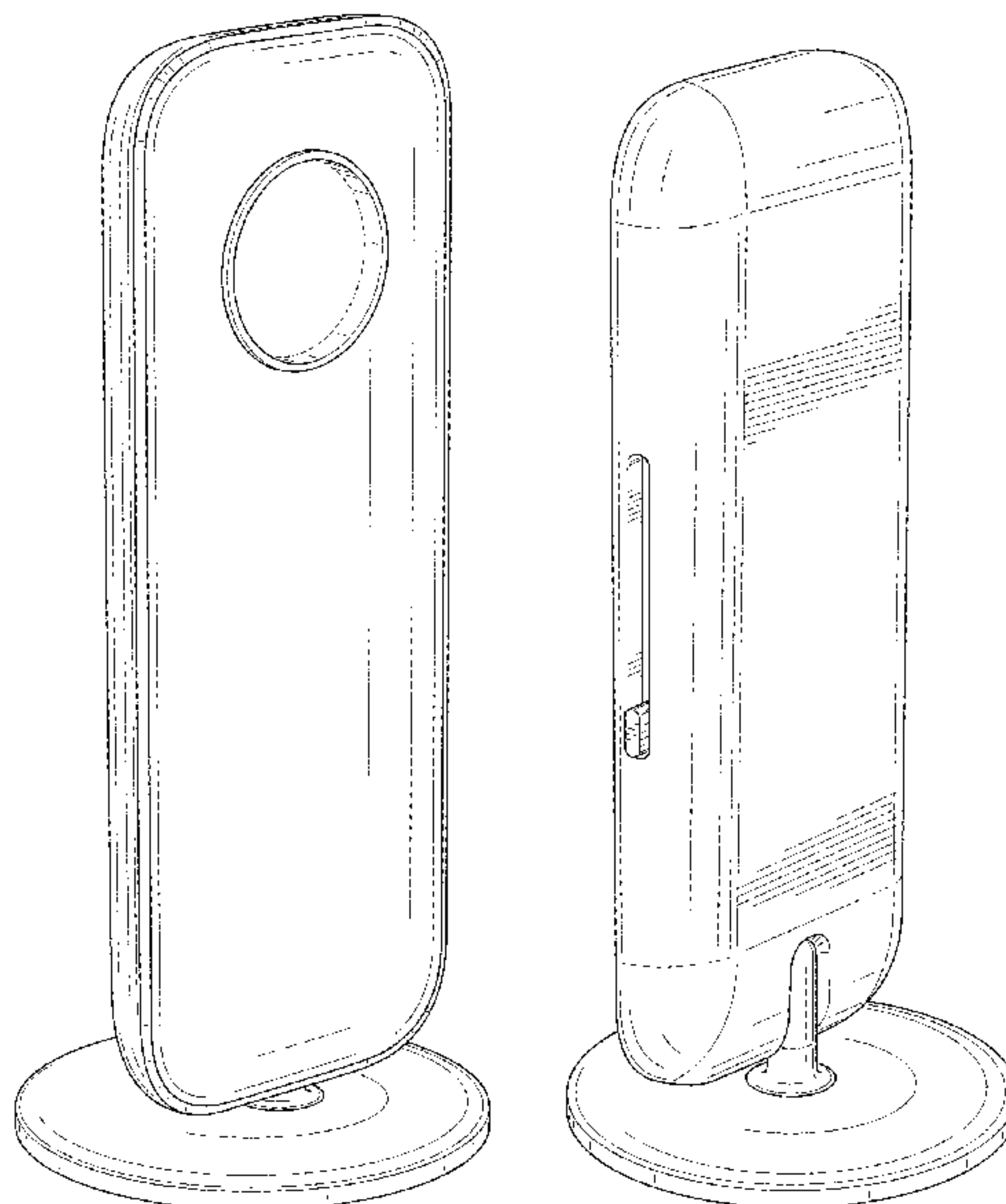
FIG. 5 is a left side elevational view showing the design for  
the camera of FIG. 1;

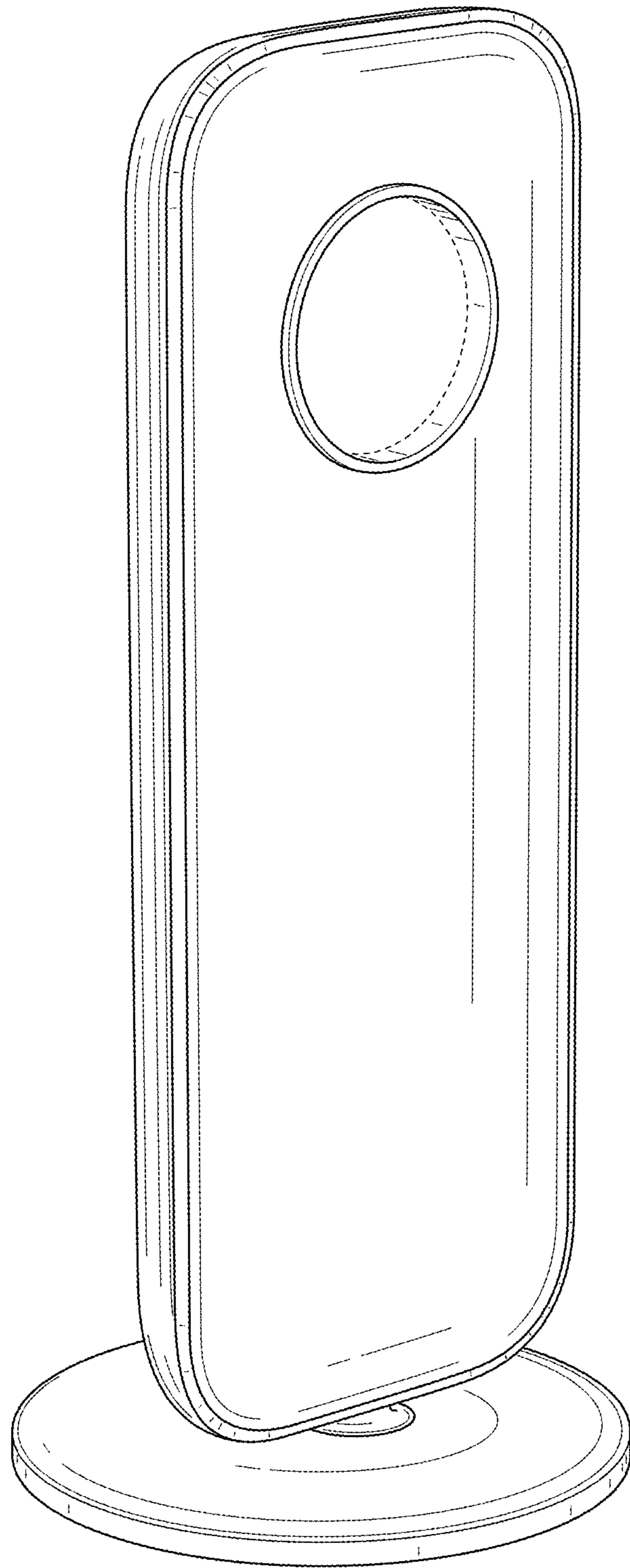
FIG. 6 is a right side elevational view showing the design for  
the camera of FIG. 1; and,

FIG. 7 is a top plan view showing the design for the camera  
of FIG. 1.

The broken lines shown in the drawings illustrate portions of  
the camera that form no part of the claimed design.

**1 Claim, 7 Drawing Sheets**





**FIG. 1**

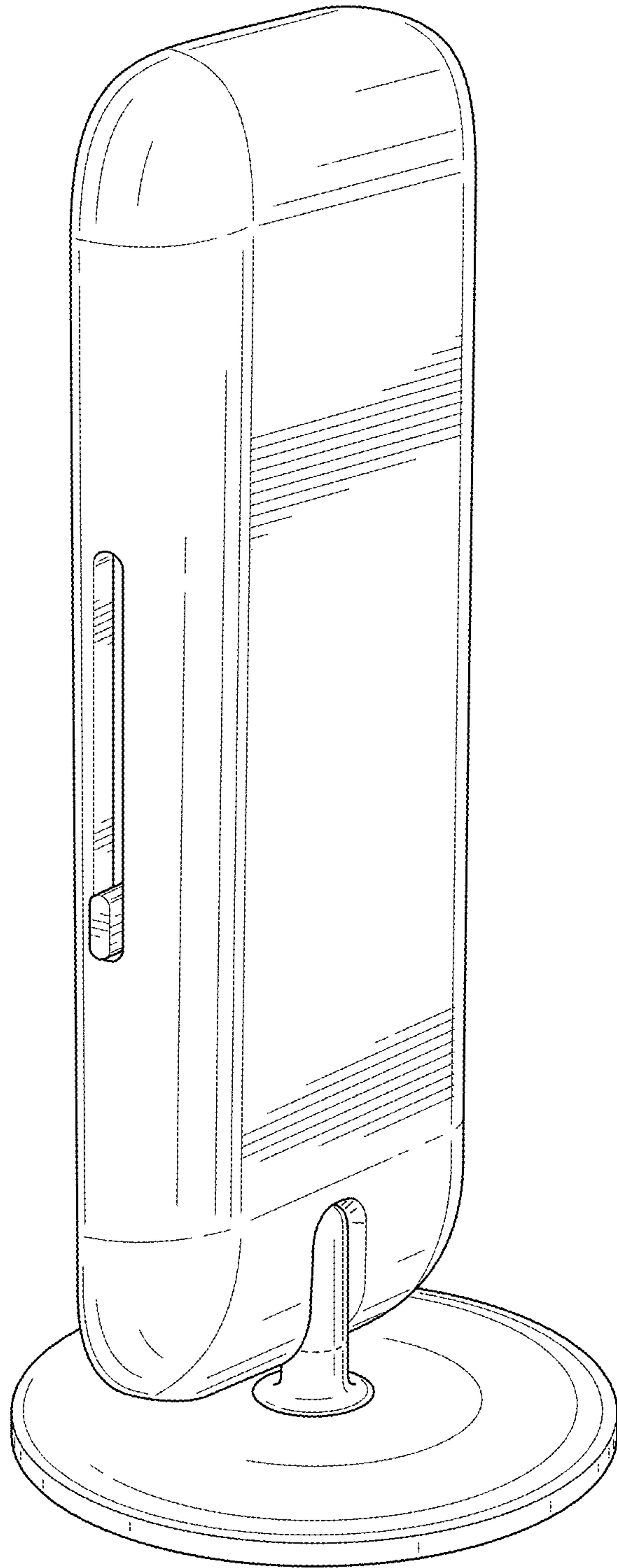
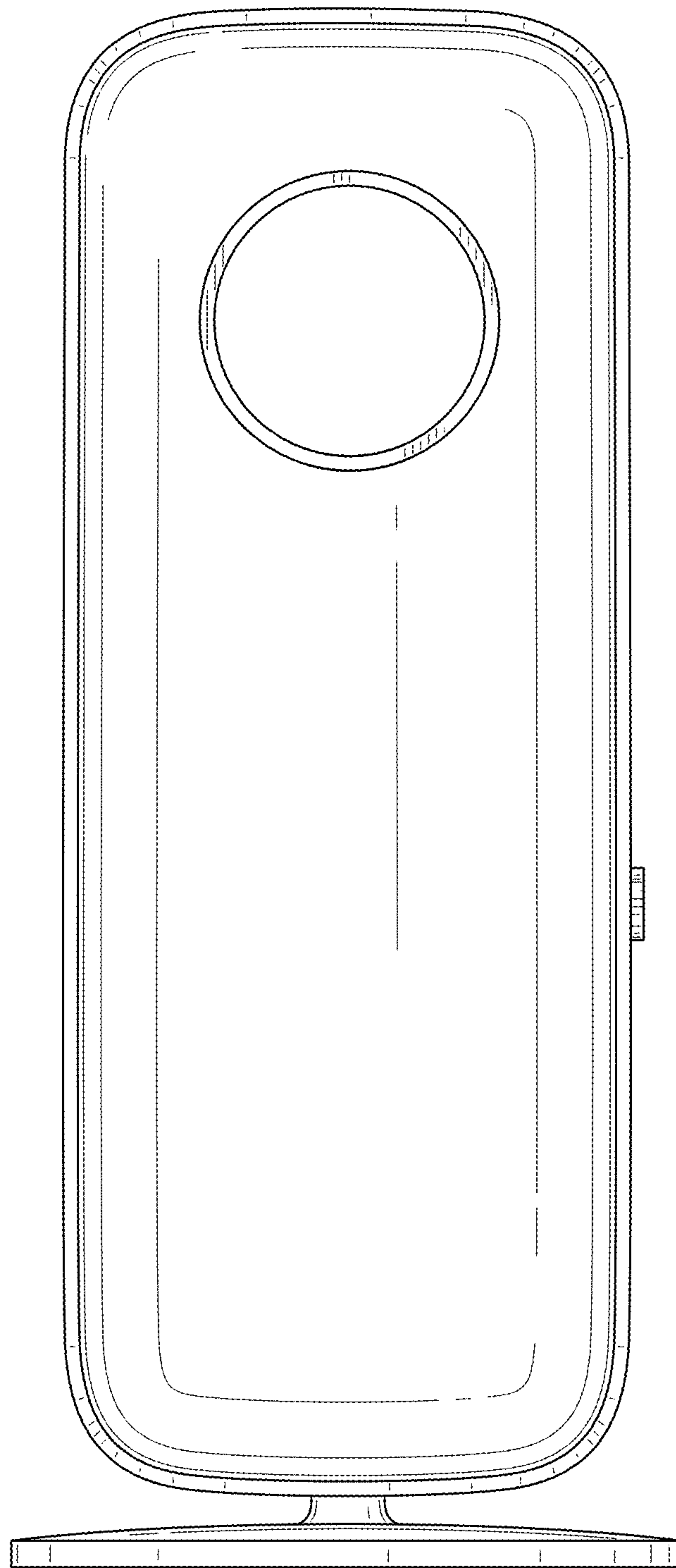
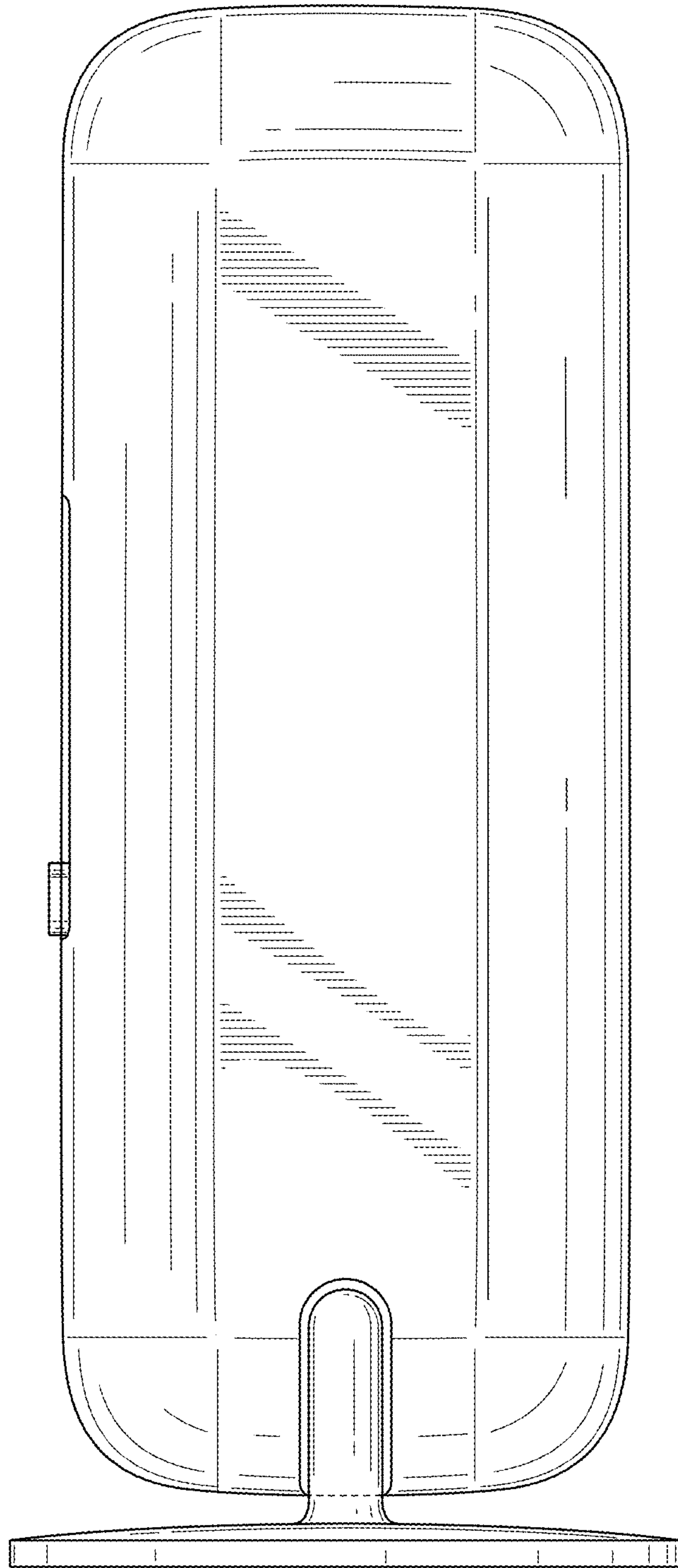


FIG. 2

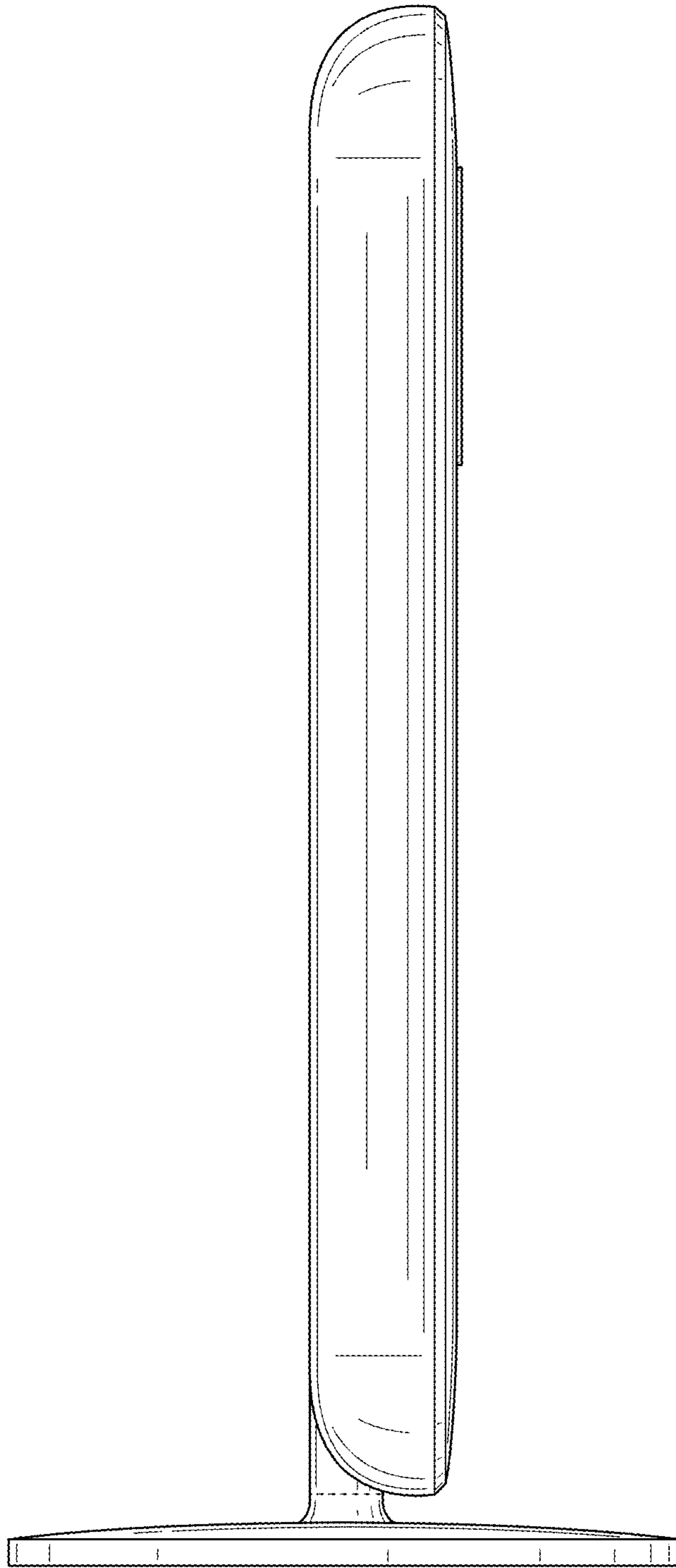


**FIG. 3**

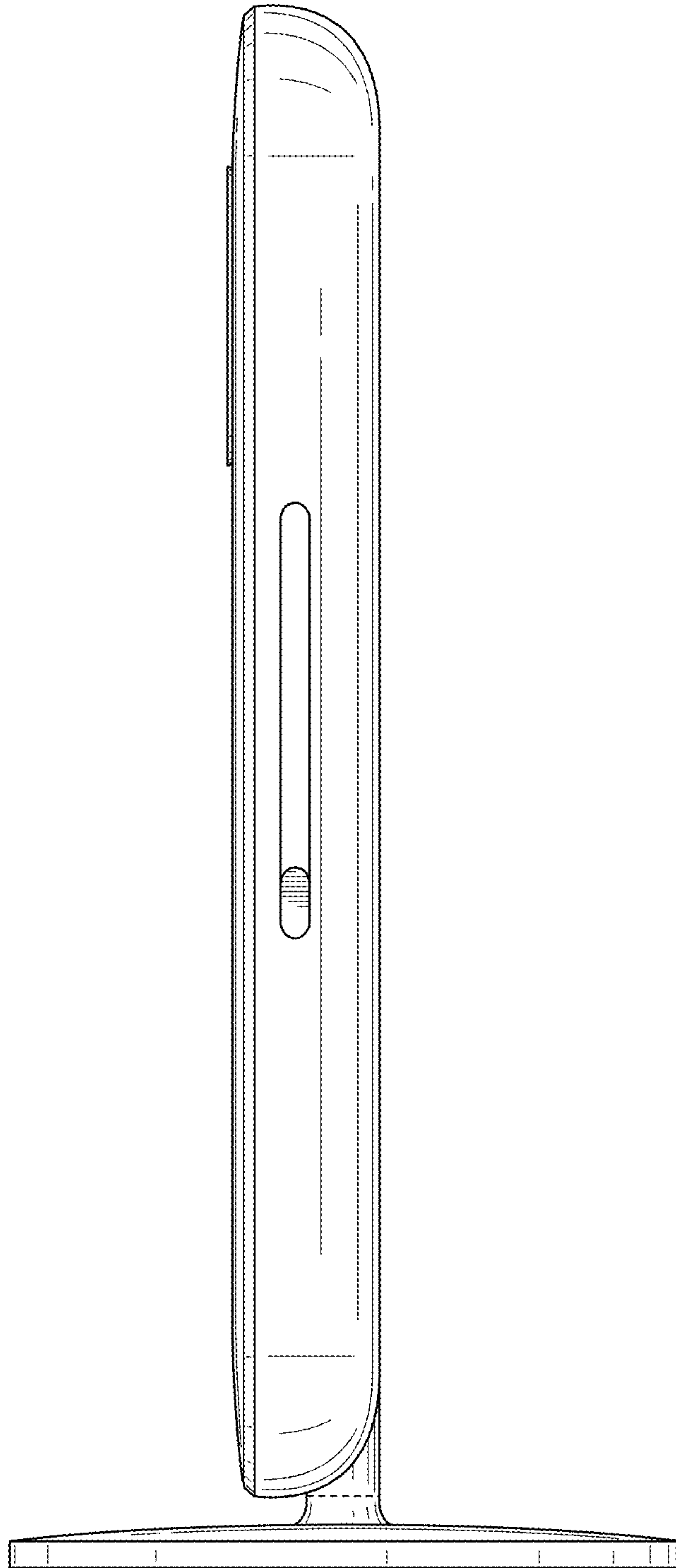


**FIG. 4**

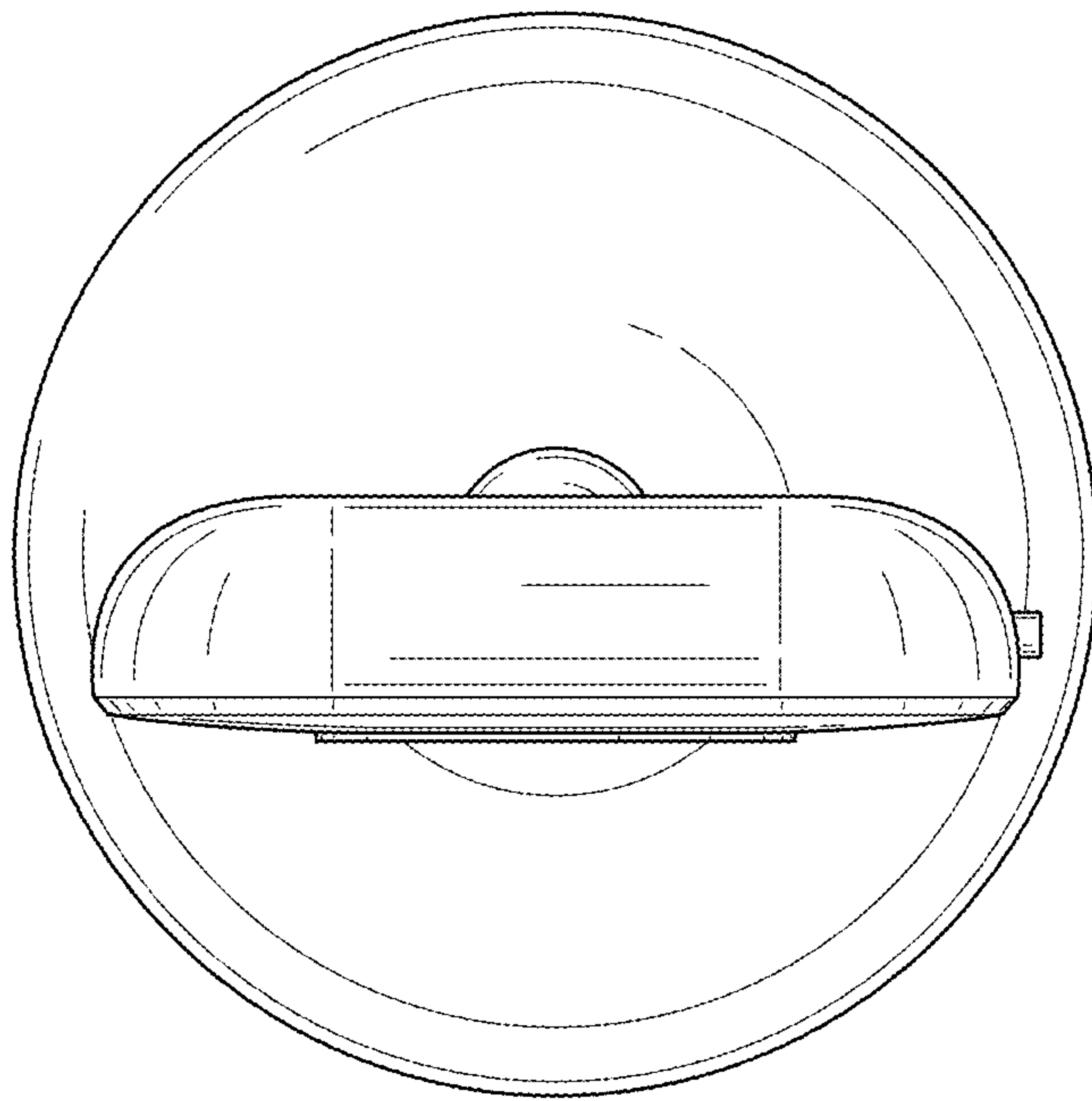




**FIG. 5**



**FIG. 6**



**FIG. 7**