



US00D806772S

(12) **United States Design Patent**  
**Wu**

(10) **Patent No.:** **US D806,772 S**  
(45) **Date of Patent:** **\*\* Jan. 2, 2018**

(54) **BULB-SHAPED SURVEILLANCE CAMERA**

(71) Applicant: **WELL SHIN TECHNOLOGY CO., LTD.**, Taipei (TW)

(72) Inventor: **Jui-Hsiung Wu**, Taipei (TW)

(73) Assignee: **WELL SHIN TECHNOLOGY CO., LTD.**, Taipei (TW)

(\*\*) Term: **15 Years**

(21) Appl. No.: **29/534,003**

(22) Filed: **Jul. 24, 2015**

(51) **LOC (11) Cl.** ..... **16-01**

(52) **U.S. Cl.**  
USPC ..... **D16/203**

(58) **Field of Classification Search**  
USPC ..... D16/200, 202–206, 218, 219, 242;  
D26/1–3; 313/315, 318.01; 348/143,  
348/148, 151, 373–376; 396/419, 427,  
396/535, 539–541  
CPC ..... G03B 17/02; G03B 19/04; G03B 17/56;  
G03B 17/04; G03B 15/03; H04N 5/2251;  
H04N 5/2252; H04N 5/2253; H04N  
5/2254; H04N 7/181; H04N 7/183; H04N  
7/18; G08B 13/1963; G08B 13/19619;  
G08B 13/19632; F16M 11/04; F16M  
13/00

See application file for complete search history.

(56) **References Cited**

**U.S. PATENT DOCUMENTS**

6,061,087	A *	5/2000	Schieltz	.....	G03B 17/55 348/151
D435,576	S *	12/2000	McBride	.....	D16/203
D435,577	S *	12/2000	McBride	.....	D16/203
6,812,970	B1 *	11/2004	McBride	.....	G08B 13/19619 348/151
D583,845	S *	12/2008	Hayashi	.....	D14/130

D740,873	S *	10/2015	Scalisi	.....	D16/203
D745,587	S *	12/2015	Leung	.....	D16/203
D749,161	S *	2/2016	Scalisi	.....	D16/203
D752,675	S *	3/2016	Ravat	.....	D16/203
D753,206	S *	4/2016	Ravat	.....	D16/203
D761,342	S *	7/2016	Kim	.....	D16/203
D768,223	S *	10/2016	Wu	.....	D16/203
D782,557	S *	3/2017	Ahman	.....	D16/203

\* cited by examiner

*Primary Examiner* — Philip S Hyder

*Assistant Examiner* — Ramzi S Almatrahi

(74) *Attorney, Agent, or Firm* — LeClairRyan

(57) **CLAIM**

The ornamental design for a bulb-shaped surveillance camera, as shown and described.

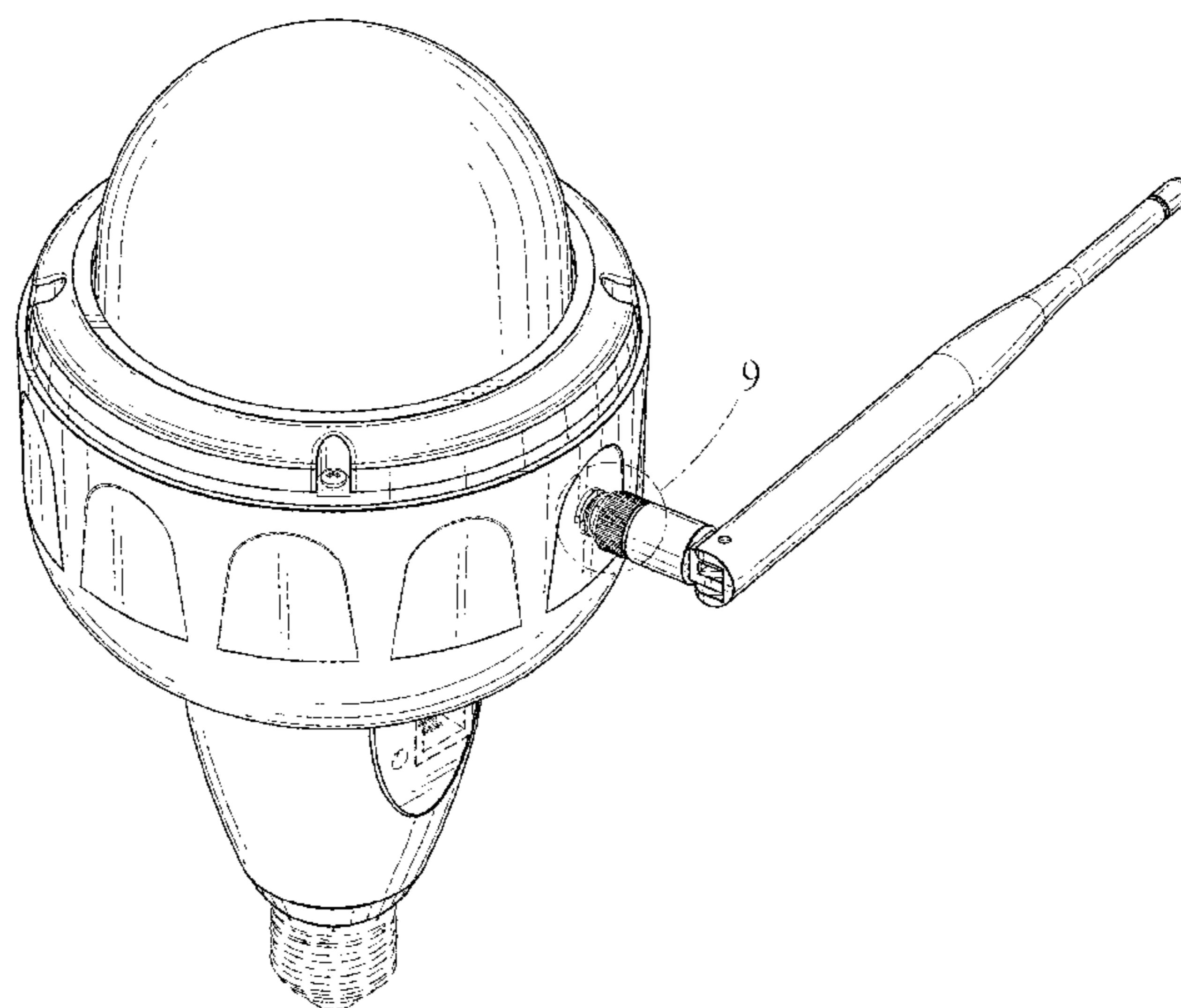
**DESCRIPTION**

FIG. 1 is a perspective view of a bulb-shaped surveillance camera showing my new design;  
 FIG. 2 is a front elevational view thereof;  
 FIG. 3 is a rear elevational view thereof;  
 FIG. 4 is a left side elevational view thereof;  
 FIG. 5 is a right side elevational view thereof;  
 FIG. 6 is a top plan view thereof;  
 FIG. 7 is a bottom plan view thereof;  
 FIG. 8 is a bottom perspective view thereof;  
 FIG. 9 is an enlarged view of the circled region “9” in FIG. 1; and,  
 FIG. 10 is an enlarged view of the circled region “10” in FIG. 4.

The broken lines depict portions of a bulb-shaped surveillance camera in which the design is embodied that form no part of the claimed design.

The dot-dash broken lines encircling an enlargement portion of the design forms no part of the claimed design.

**1 Claim, 10 Drawing Sheets**



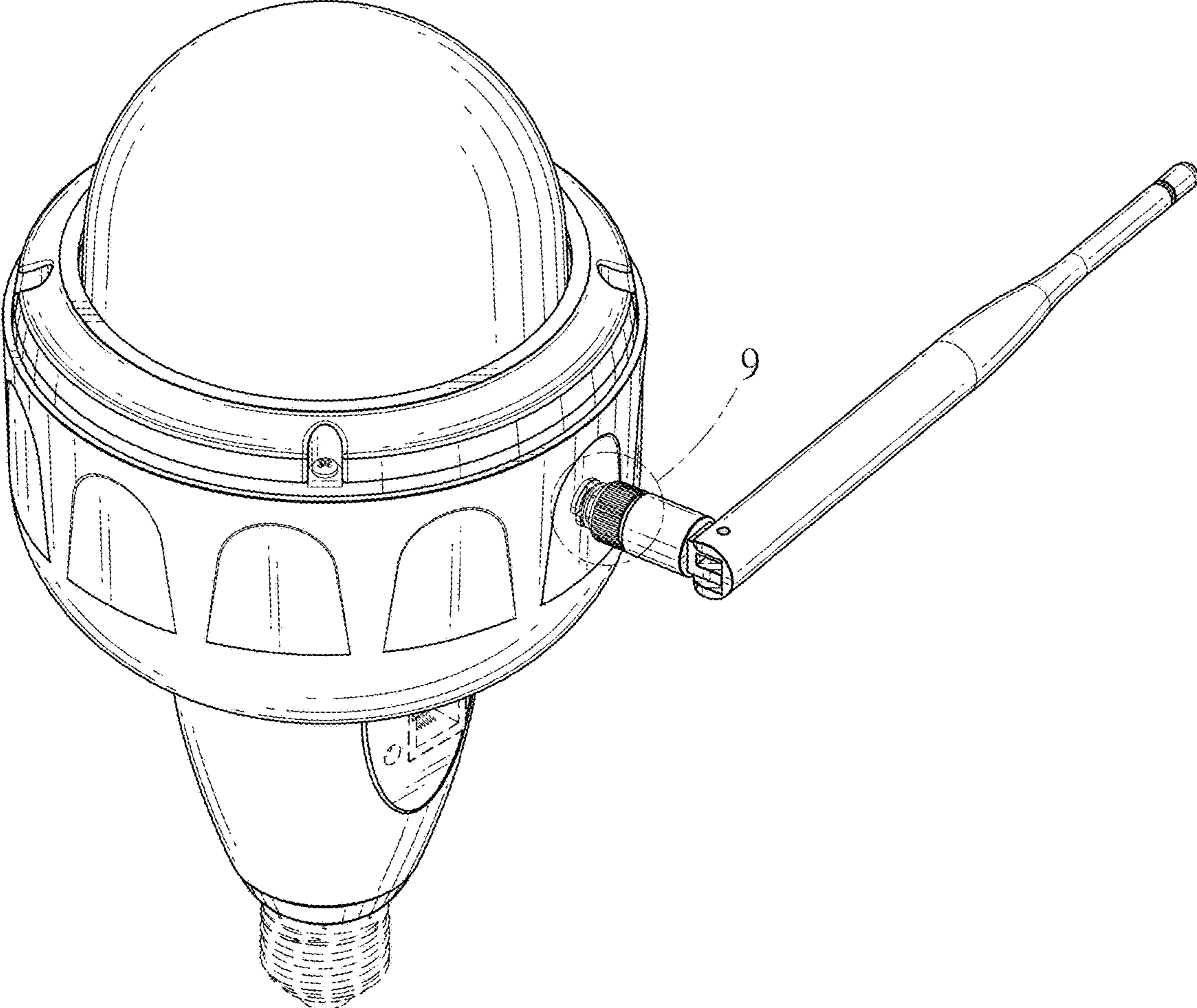


FIG. 1

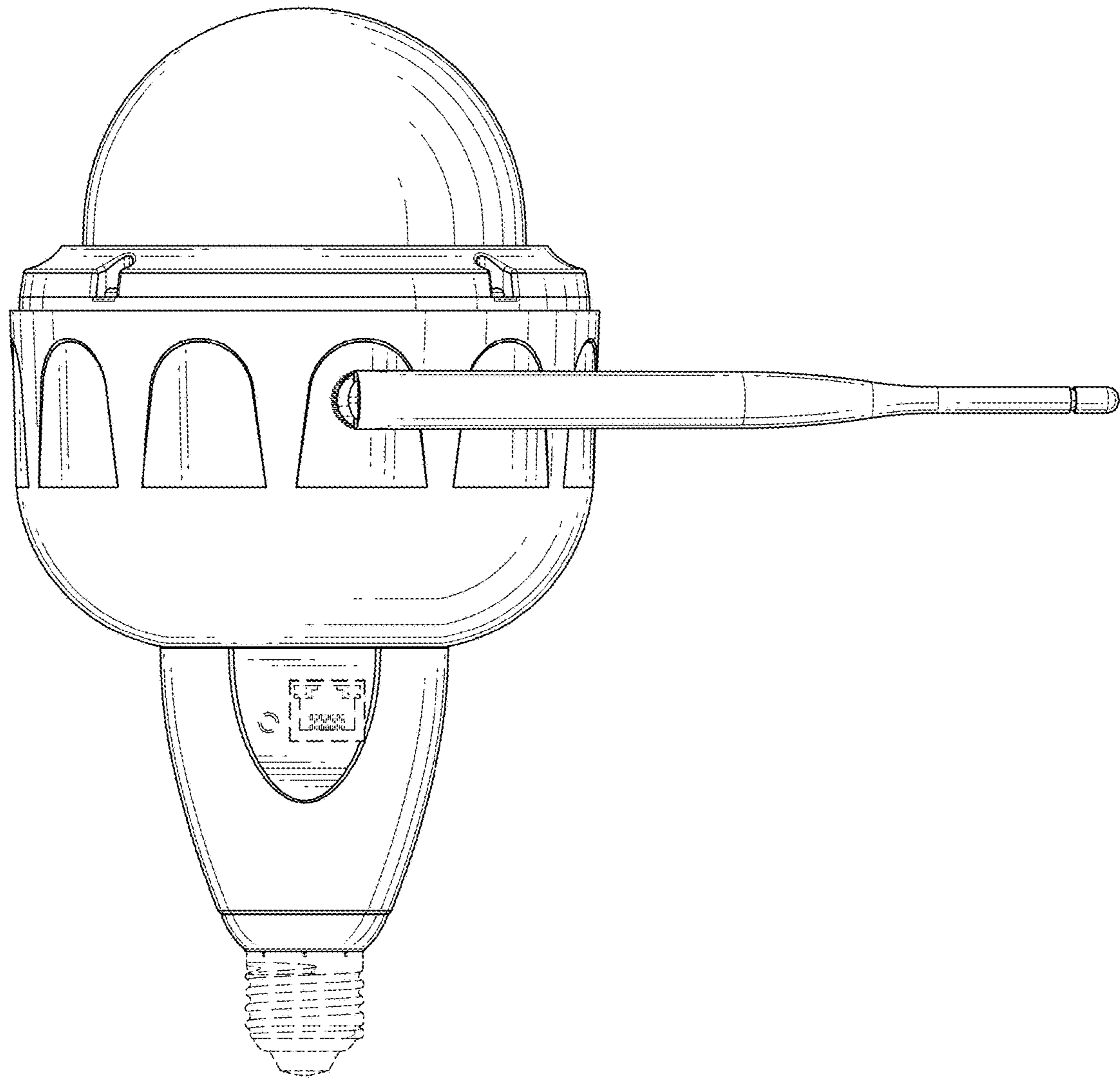


FIG. 2

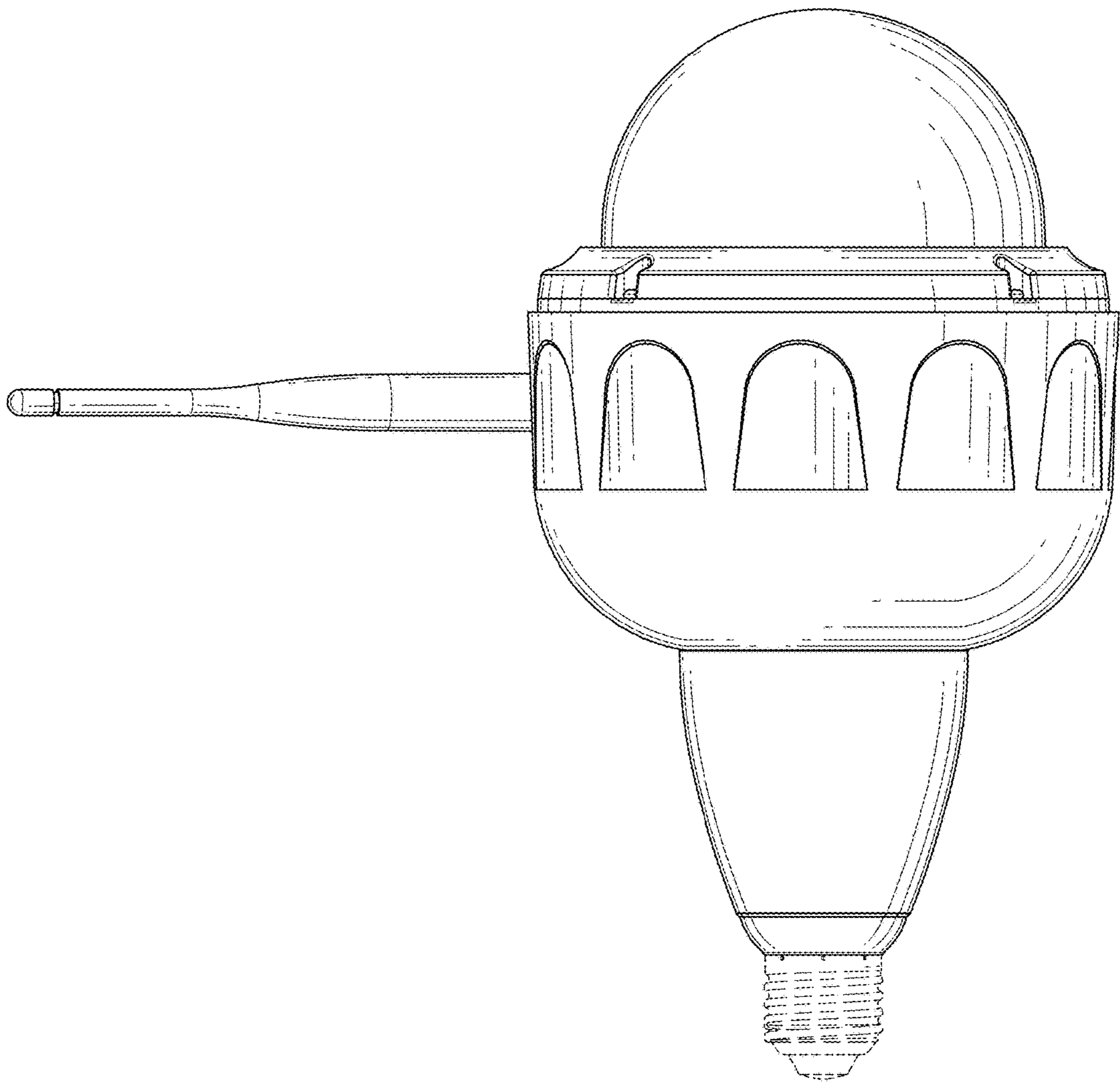


FIG. 3



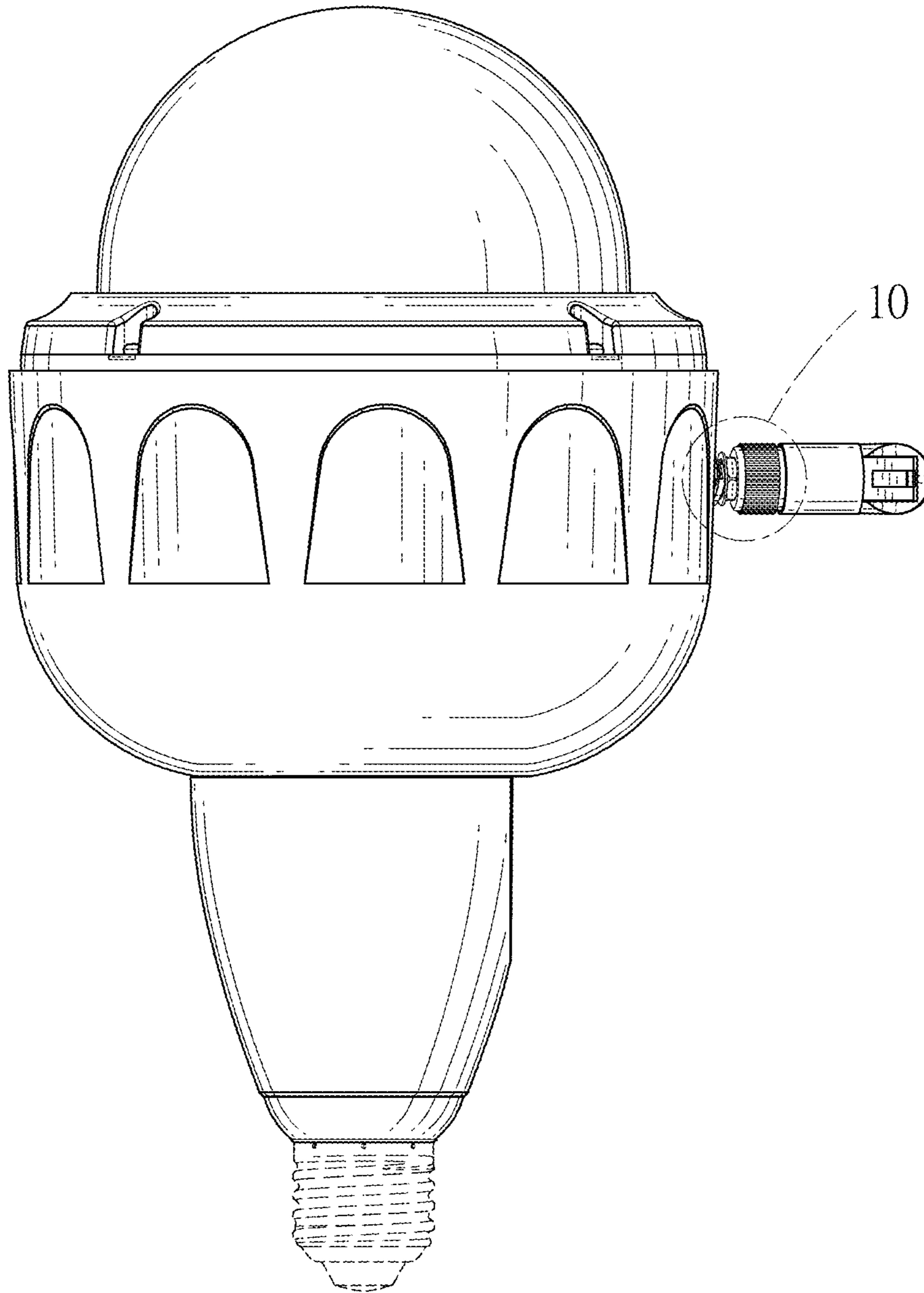


FIG. 4

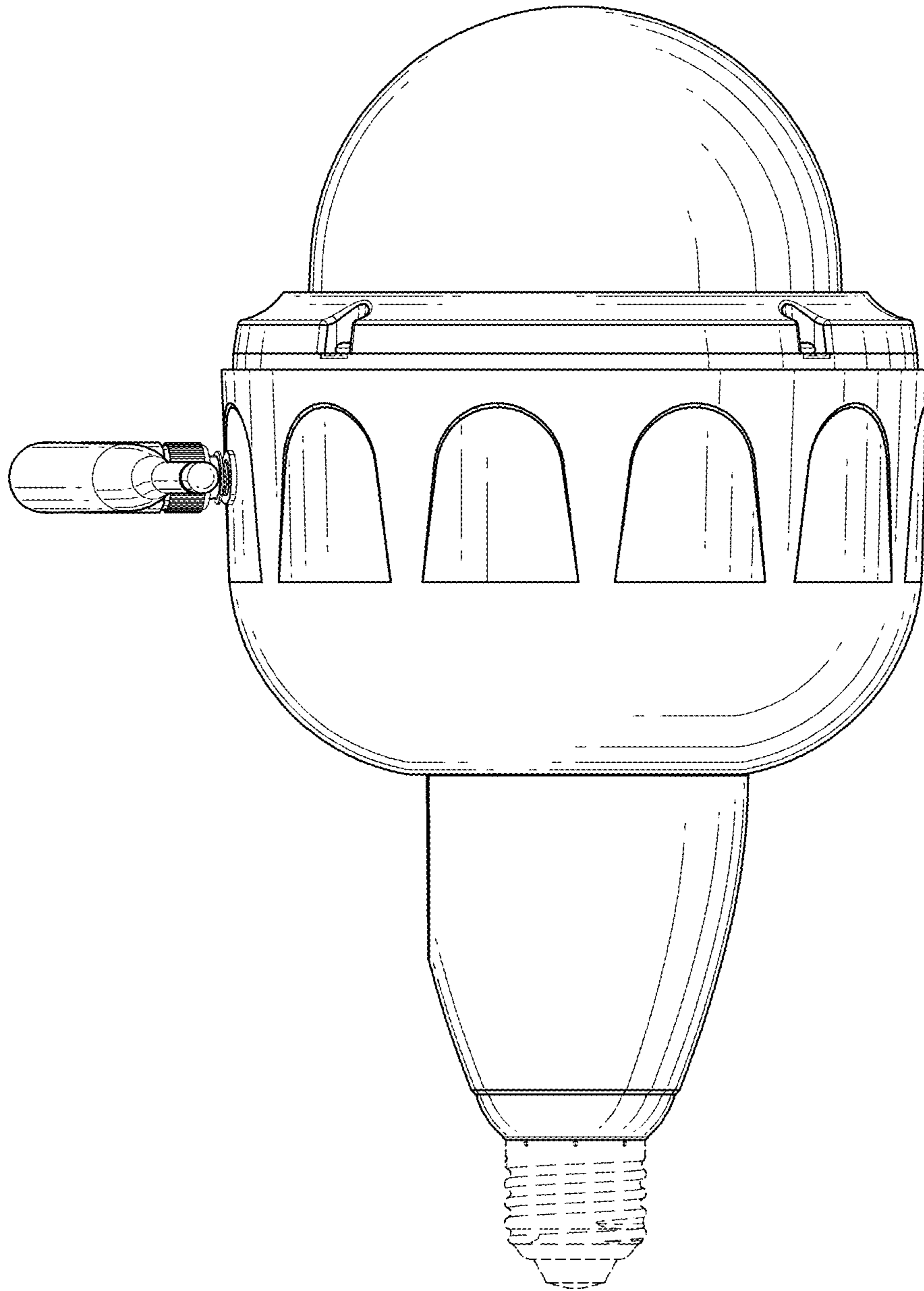


FIG. 5

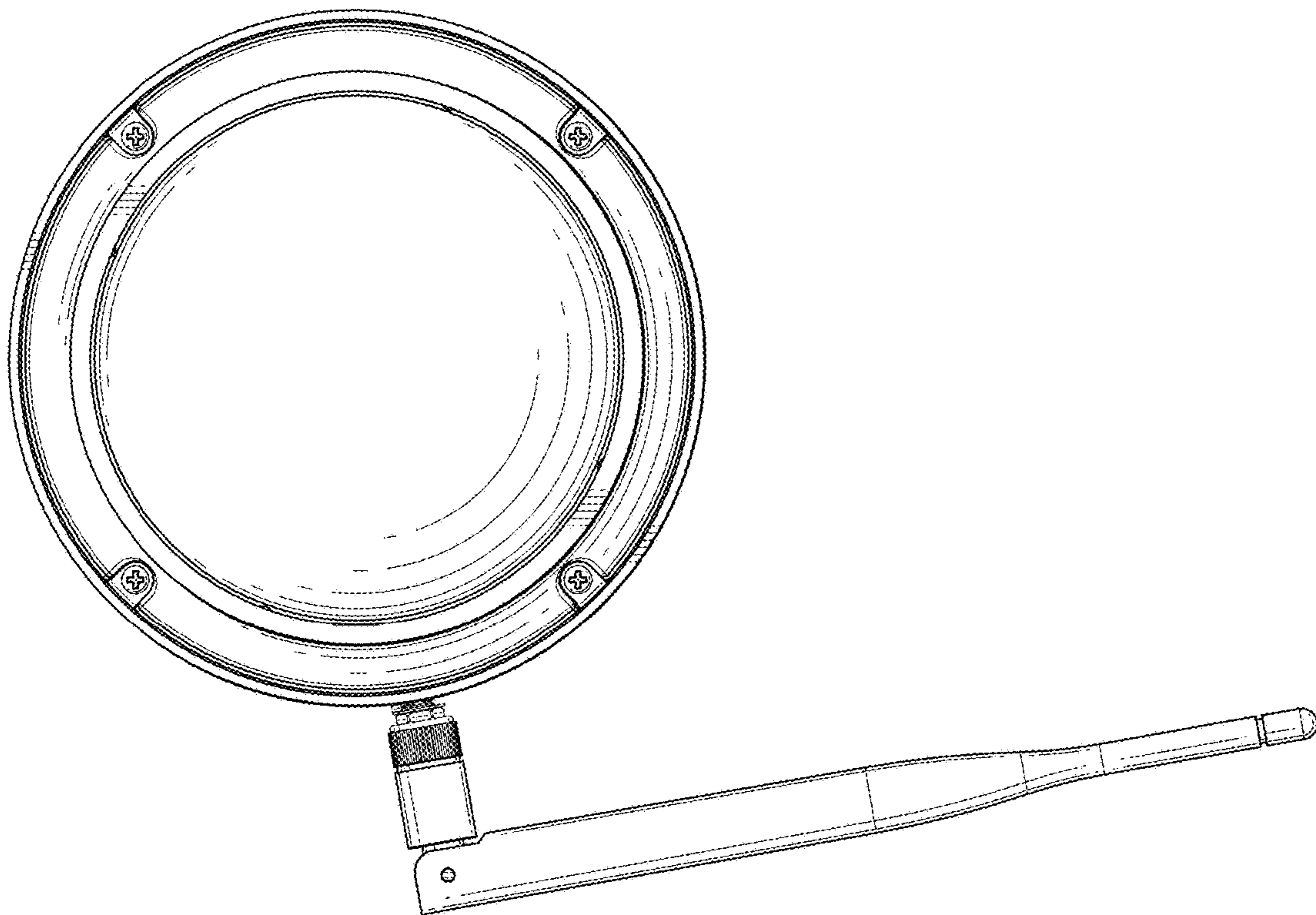


FIG. 6

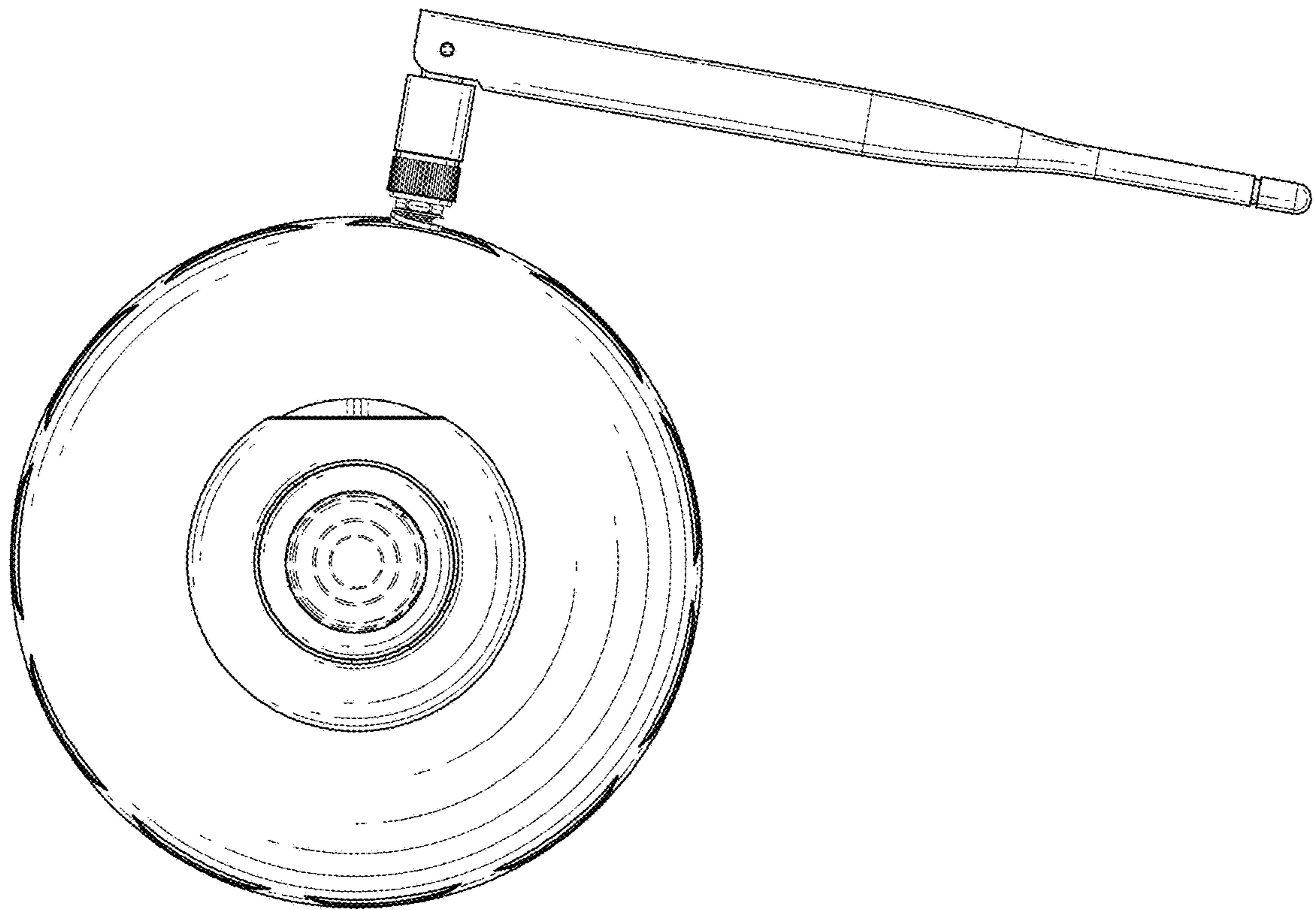


FIG. 7



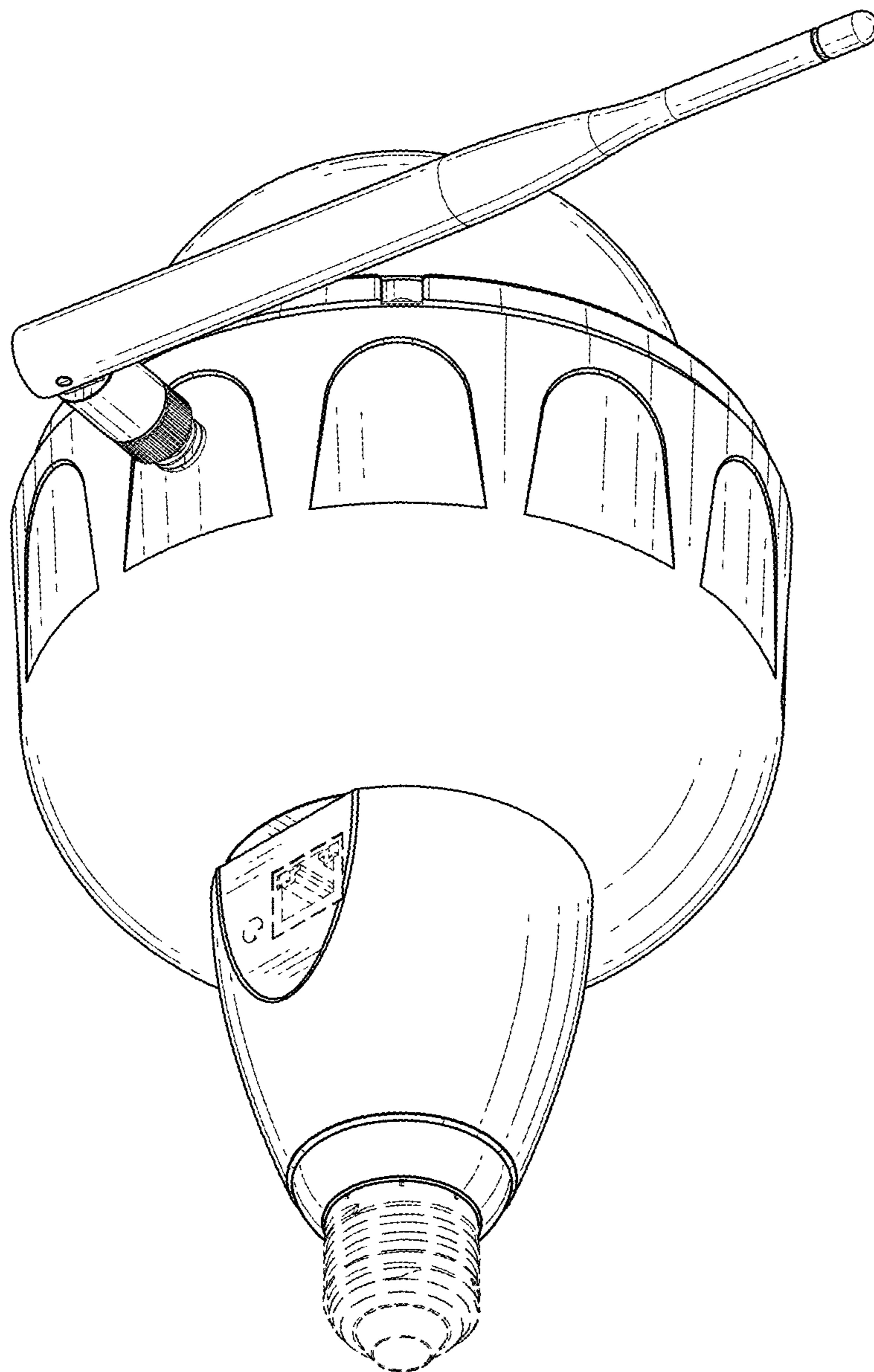


FIG. 8

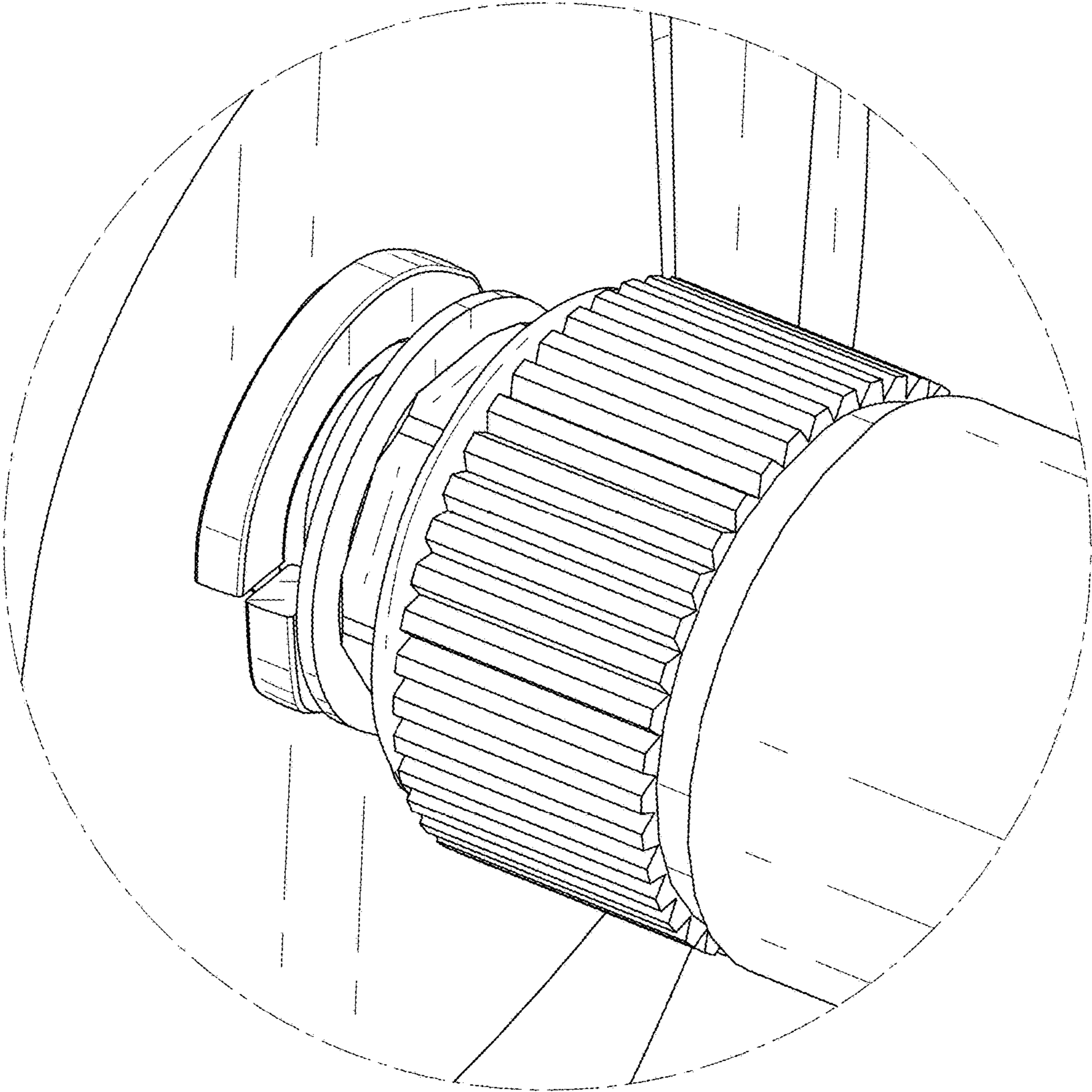


FIG. 9

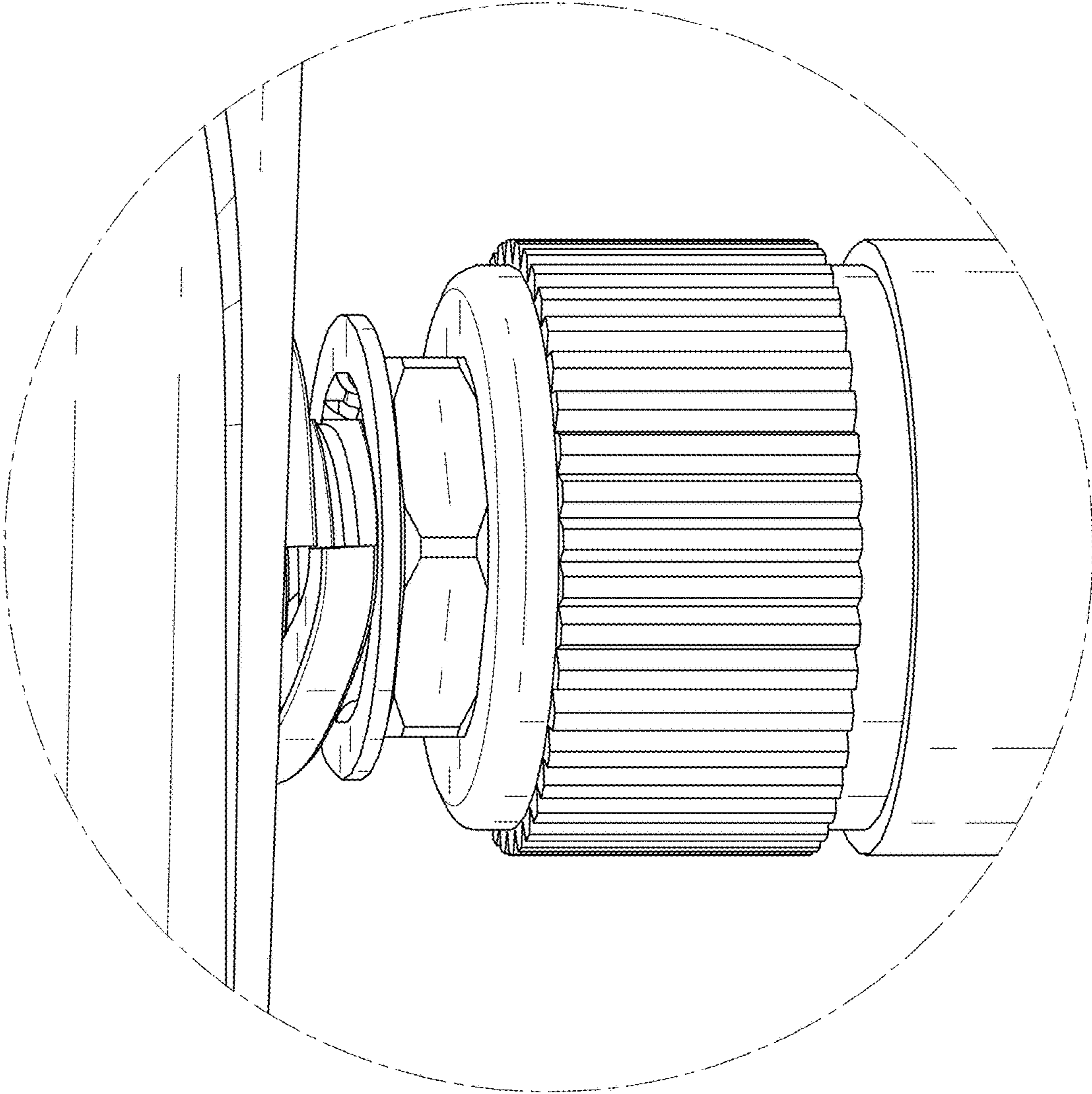


FIG. 10