



US00D806771S

(12) **United States Design Patent**
Nikaido et al.

(10) **Patent No.:** **US D806,771 S**
(45) **Date of Patent:** **** Jan. 2, 2018**

(54) **DIGITAL CAMERA**
(71) Applicant: **Nikon Corporation**, Tokyo (JP)
(72) Inventors: **Yutaka Nikaido**, Kamakura (JP);
Yasuki Nagaoka, Saitama (JP); **Shoko Ryuen**, Ichikawa (JP)
(73) Assignee: **Nikon Corporation**, Tokyo (JP)

8,384,822 B2 * 2/2013 Nishimoto H04N 5/2254
348/360
D690,755 S * 10/2013 Nikaido D16/202
D690,756 S 10/2013 Giugiaro et al.
(Continued)

(**) Term: **15 Years**
(21) Appl. No.: **29/556,924**

FOREIGN PATENT DOCUMENTS

JP 1193824 S 1/2004
JP 1450407 S 9/2012

(22) Filed: **Mar. 4, 2016**
(30) **Foreign Application Priority Data**

OTHER PUBLICATIONS

Web page of Nikon Corporation, News release dated Aug. 23, 2007 which introduces the launch of “NIKON D3”, a Nikon digital single-lens reflex camera, printed from the Internet on Feb. 18, 2016, pp. 1-6, http://www.nikon.co.jp/news/2007/0823_d3_01.htm.

Sep. 7, 2015 (JP) 2015-019853
(51) **LOC (11) Cl.** **16-01**
(52) **U.S. Cl.**
USPC **D16/202**
(58) **Field of Classification Search**
USPC D16/200, 202–206, 208, 217, 218, 219;
348/340, 373–376; 396/89, 176–178,
396/535, 539–541
CPC G03B 15/03; G03B 17/02; G03B 17/04;
G03B 17/56; G03B 19/04; H04N 5/2251;
H04N 5/2252; H04N 5/2253; H04N
5/2254; H04N 2101/00
See application file for complete search history.

Primary Examiner — Philip S Hyder
Assistant Examiner — Ramzi Almatrahi
(74) *Attorney, Agent, or Firm* — Wolf, Greenfield & Sacks, P.C.

(56) **References Cited**

(57) **CLAIM**

The ornamental design for a digital camera, as shown and described.

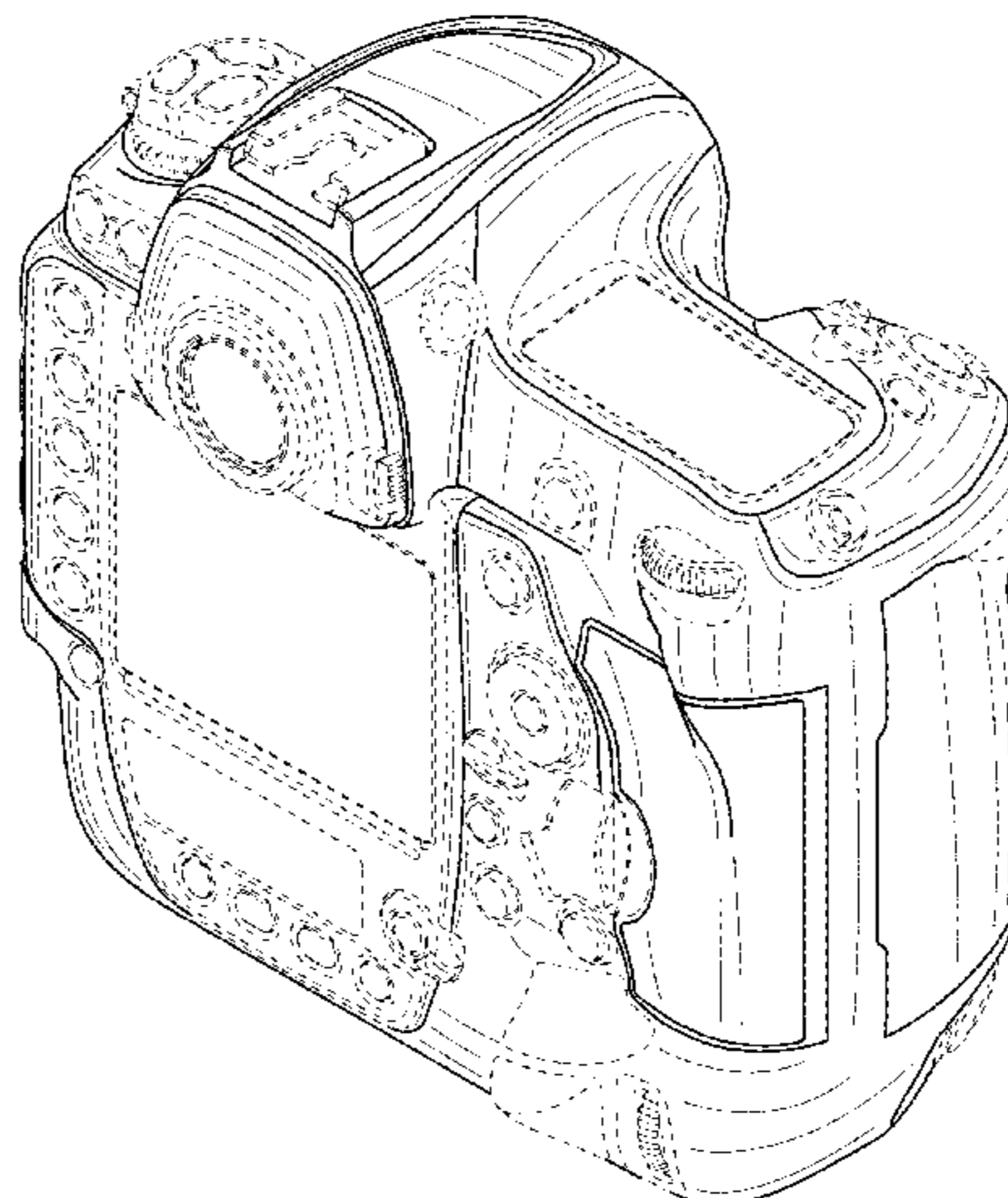
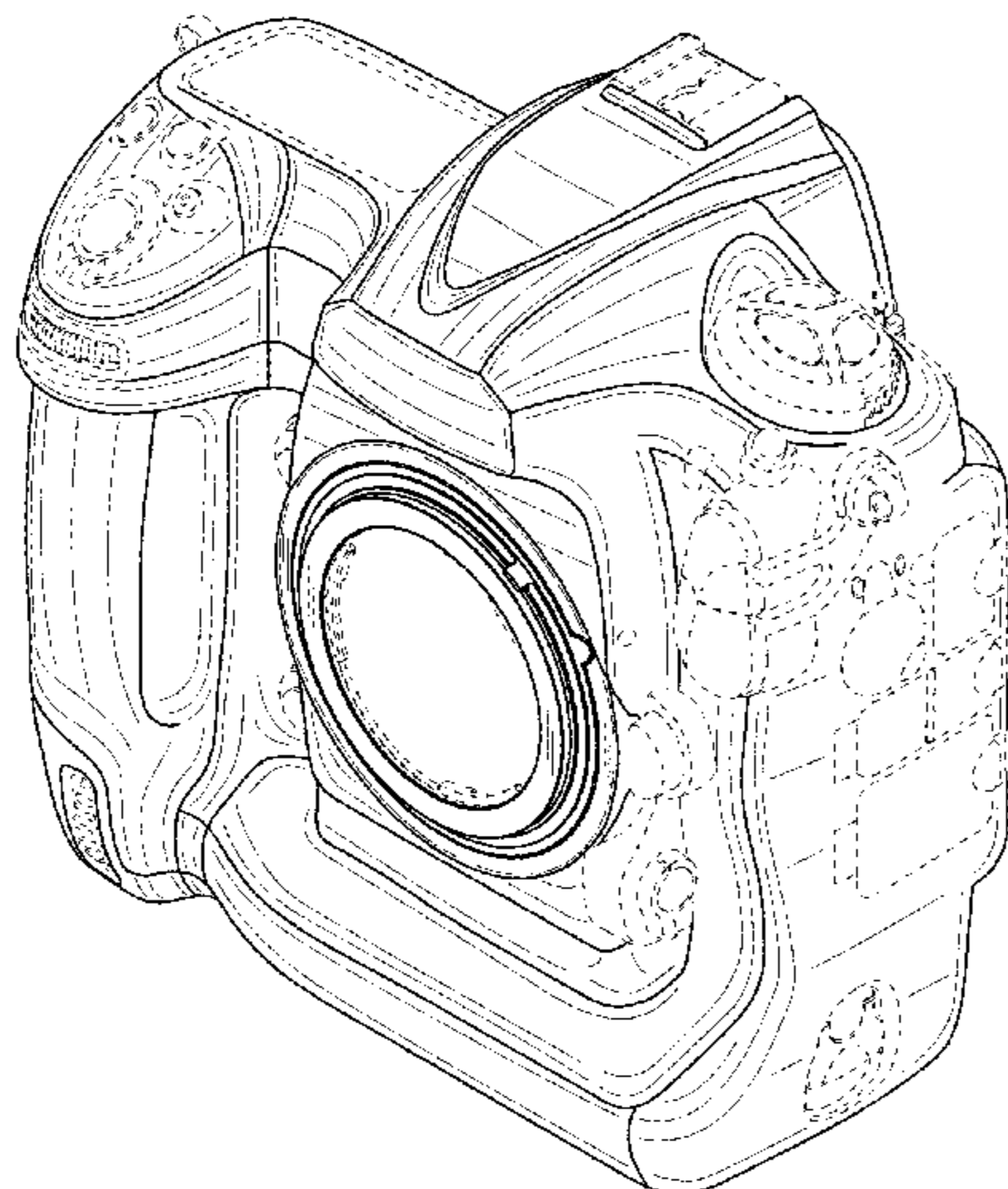
U.S. PATENT DOCUMENTS

DESCRIPTION

D388,809 S * 1/1998 Giugiaro D16/217
6,351,609 B1 * 2/2002 Hosokawa G03B 15/03
396/177
D594,892 S * 6/2009 Kamiya D16/202
D604,349 S * 11/2009 Miyashita D16/206
D611,976 S * 3/2010 Kim D16/202
D639,325 S * 6/2011 Yamauchi D16/202
D664,582 S * 7/2012 Asano D16/202

FIG. 1 is a front, top, and right side perspective view of a digital camera showing our new design;
FIG. 2 is a rear, top, and left side perspective view thereof;
FIG. 3 is a front view thereof;
FIG. 4 is a rear view thereof;
FIG. 5 is a top plan view thereof;
FIG. 6 is a bottom plan view thereof;
FIG. 7 is a right side view thereof; and,
FIG. 8 is a left side view thereof.
The broken lines depict portions of the digital camera in which the design is embodied that form no part of the claimed design.

1 Claim, 8 Drawing Sheets



(56)

References Cited

U.S. PATENT DOCUMENTS

D698,840 S	*	2/2014	Nakamura	D16/202
D724,131 S	*	3/2015	Kim	D16/202
D724,639 S	*	3/2015	Noh	D16/202
D743,464 S	*	11/2015	Noh	D16/202

* cited by examiner

FIG. 1

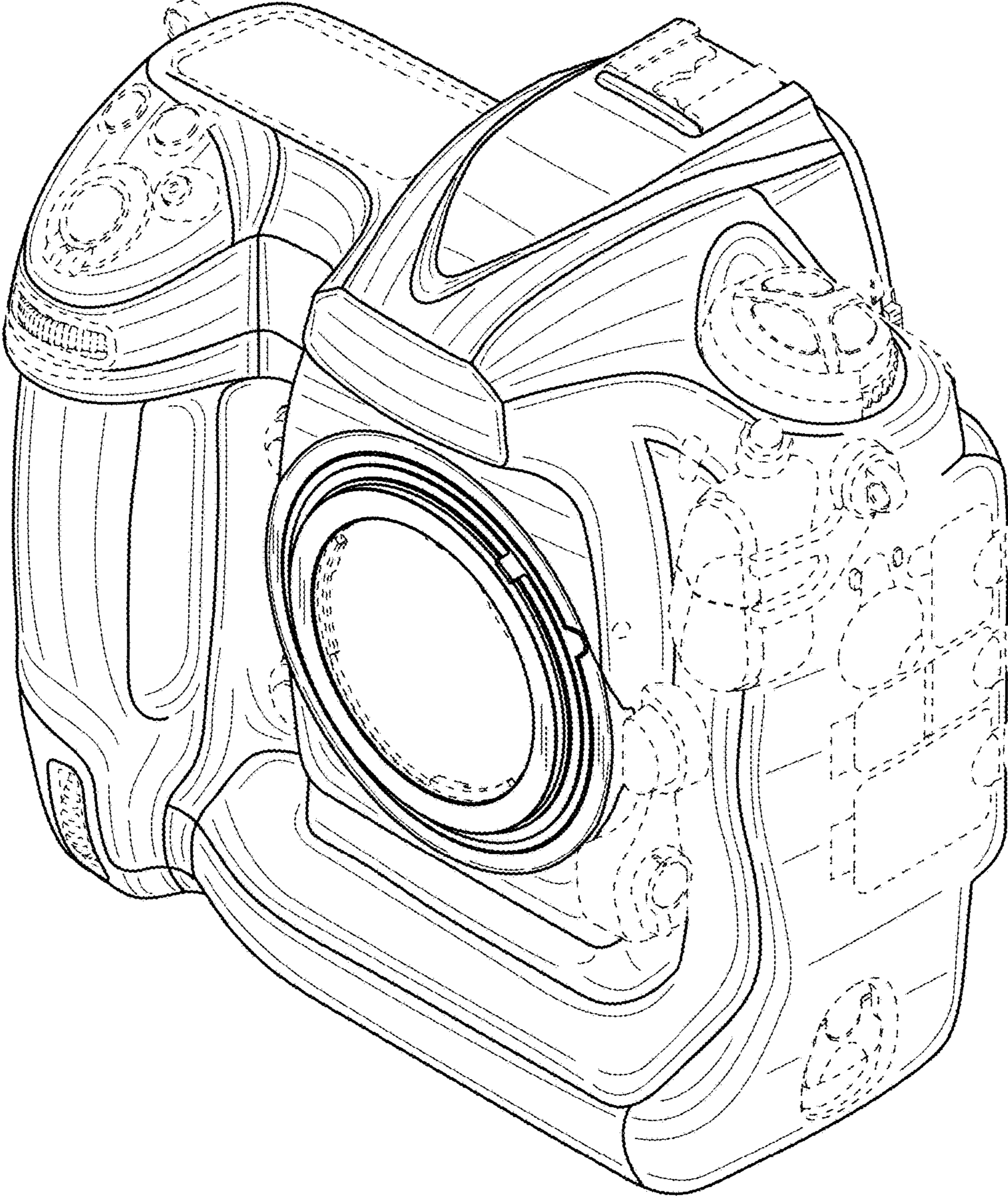


FIG. 2

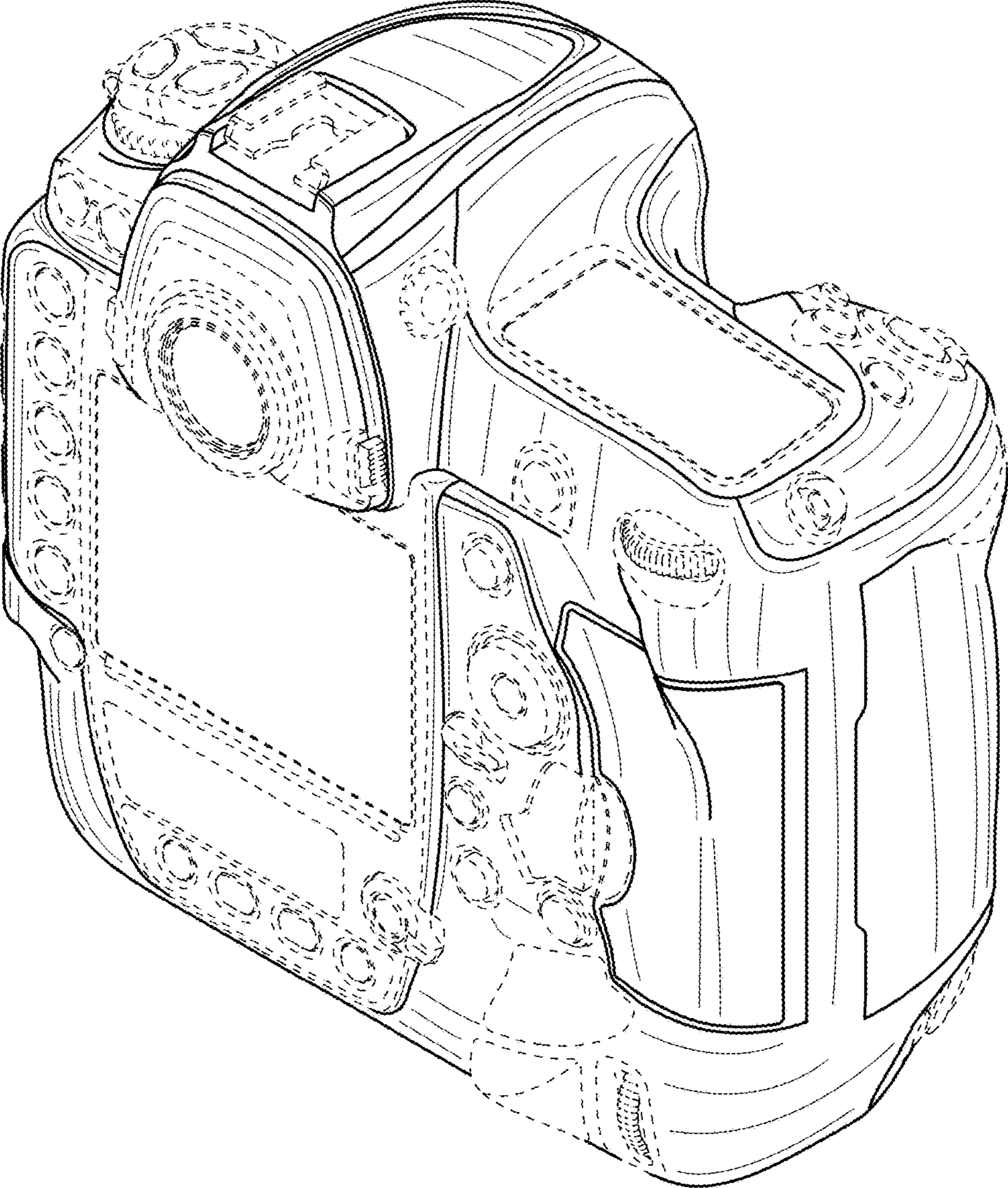


FIG. 3

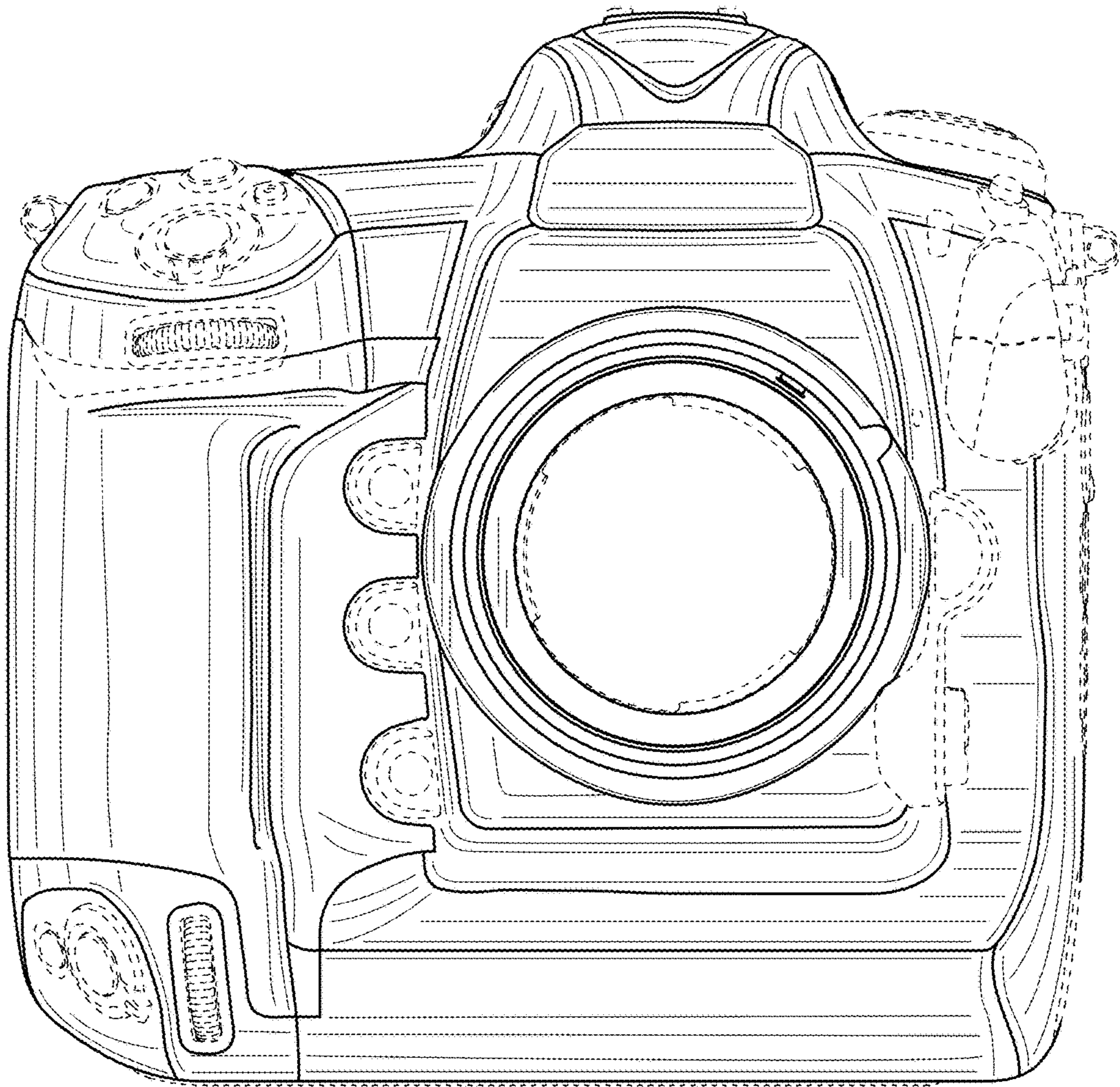


FIG. 4

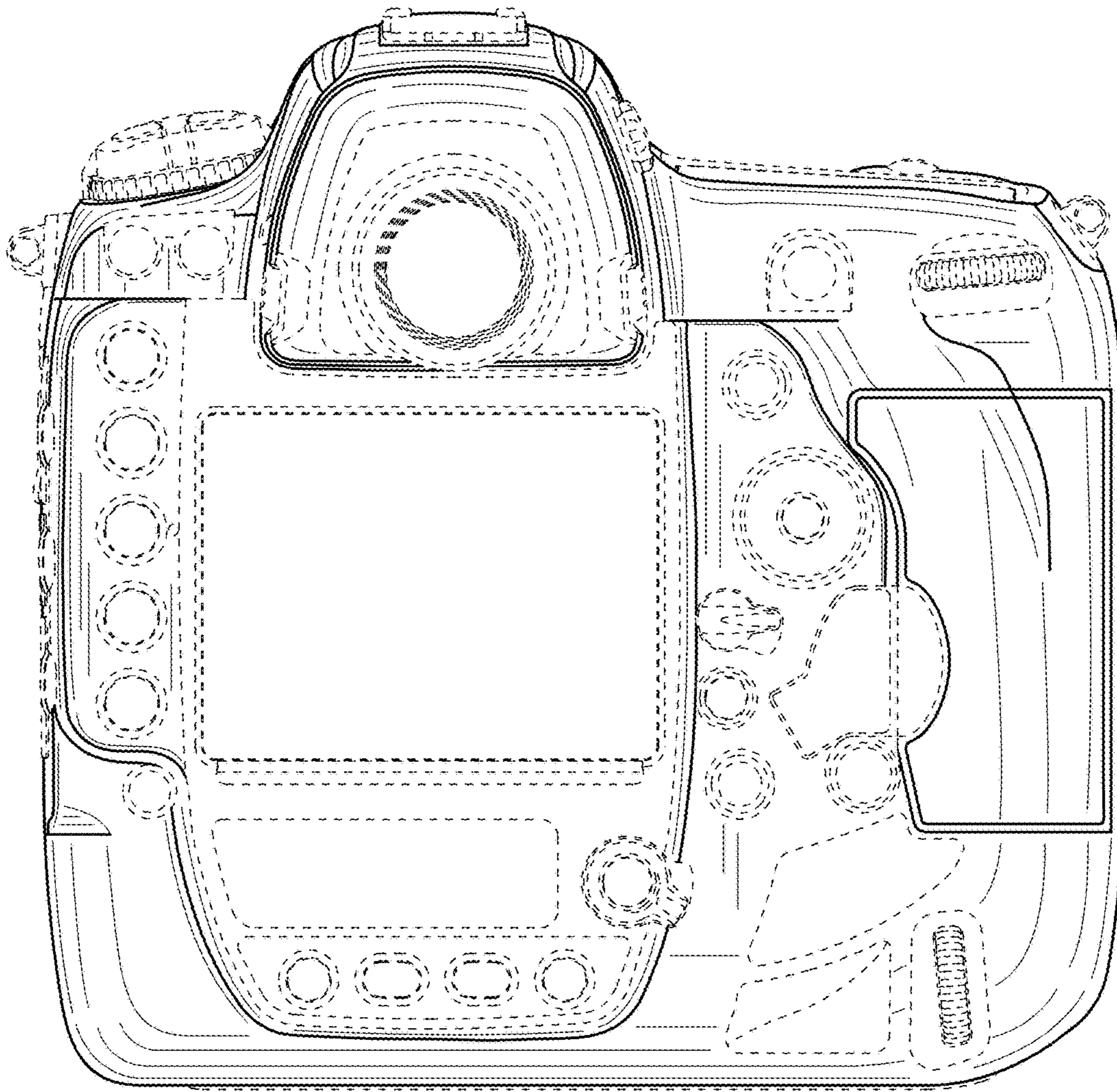


FIG. 5

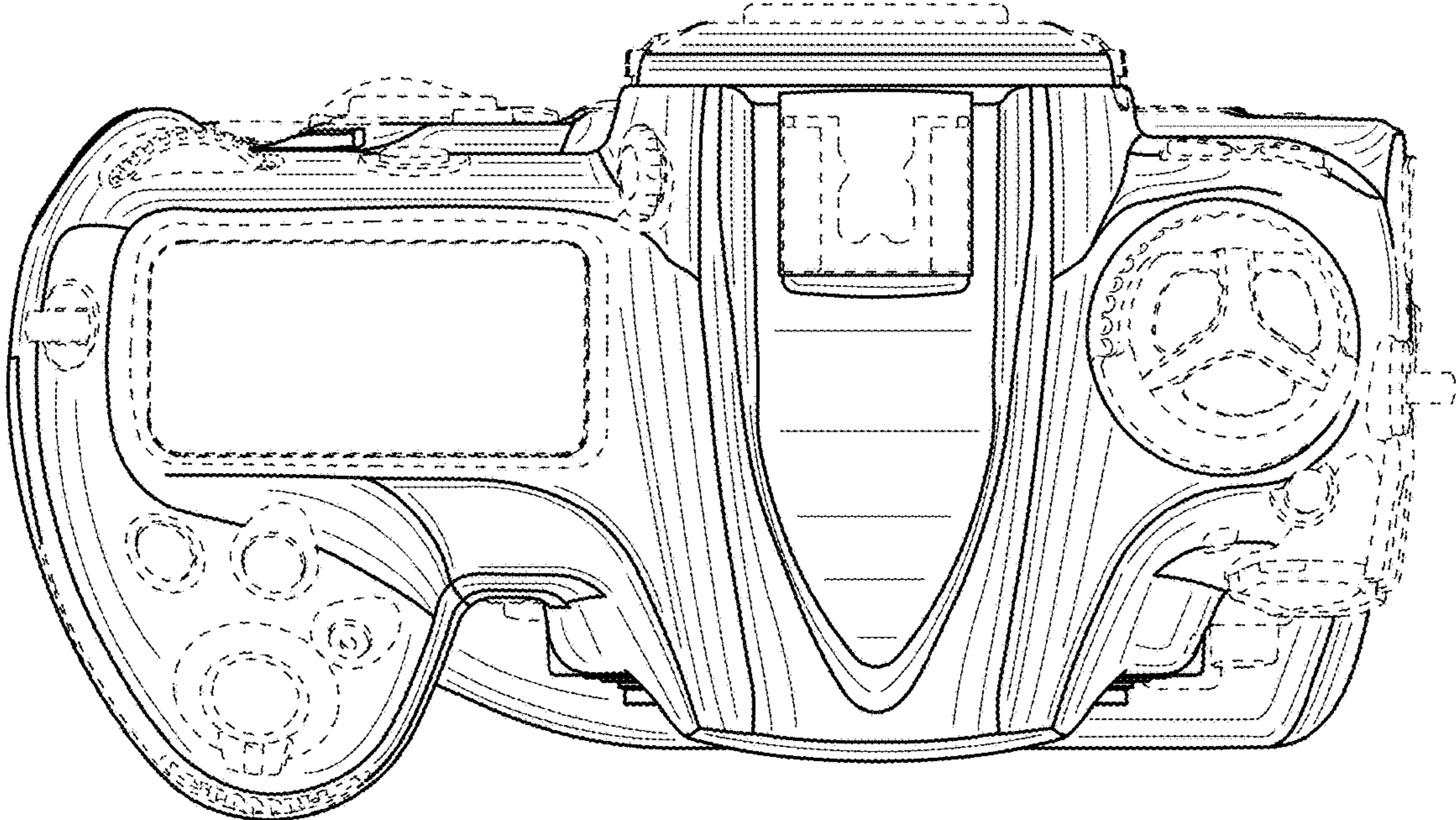


FIG. 6

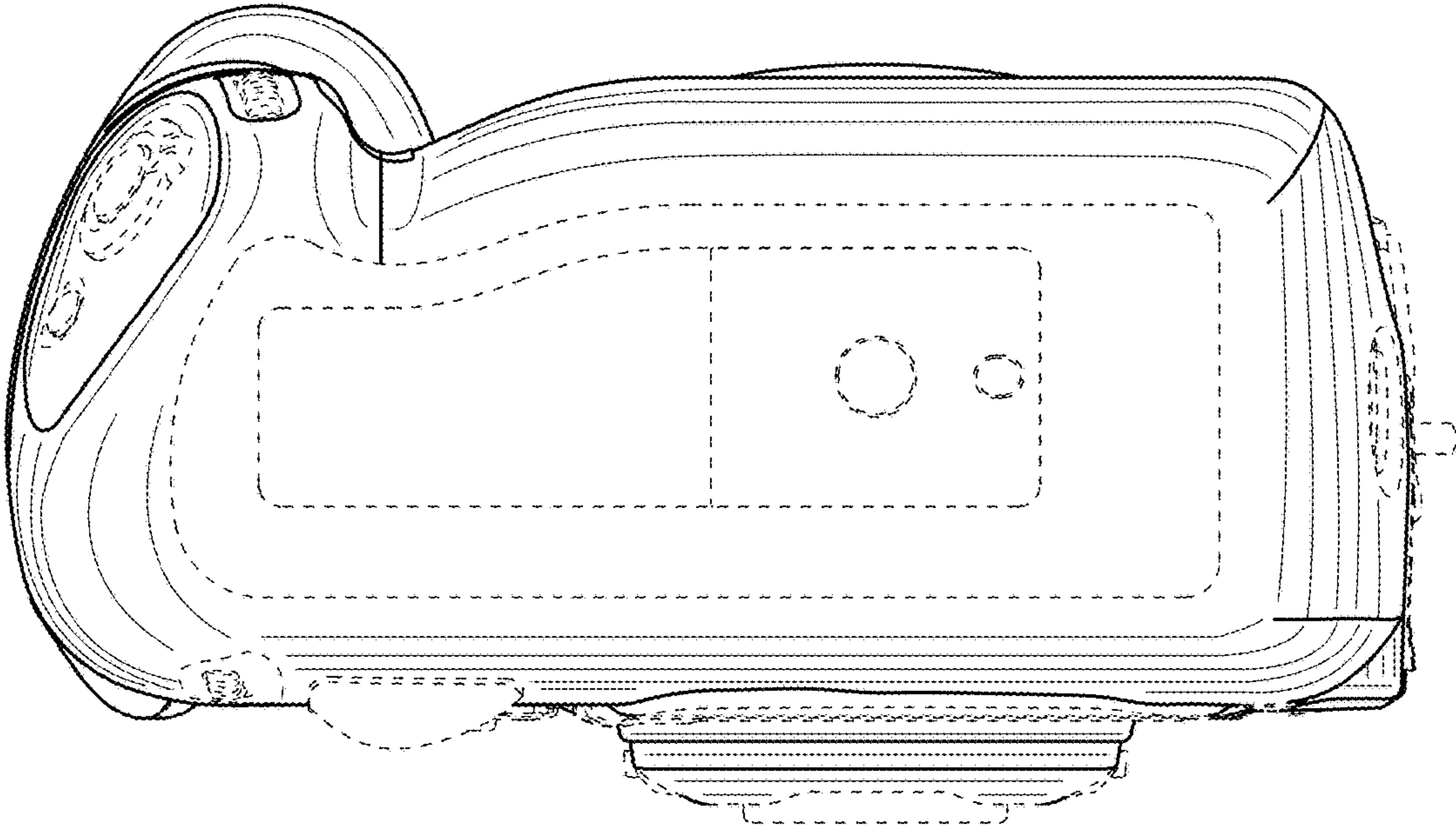


FIG. 7

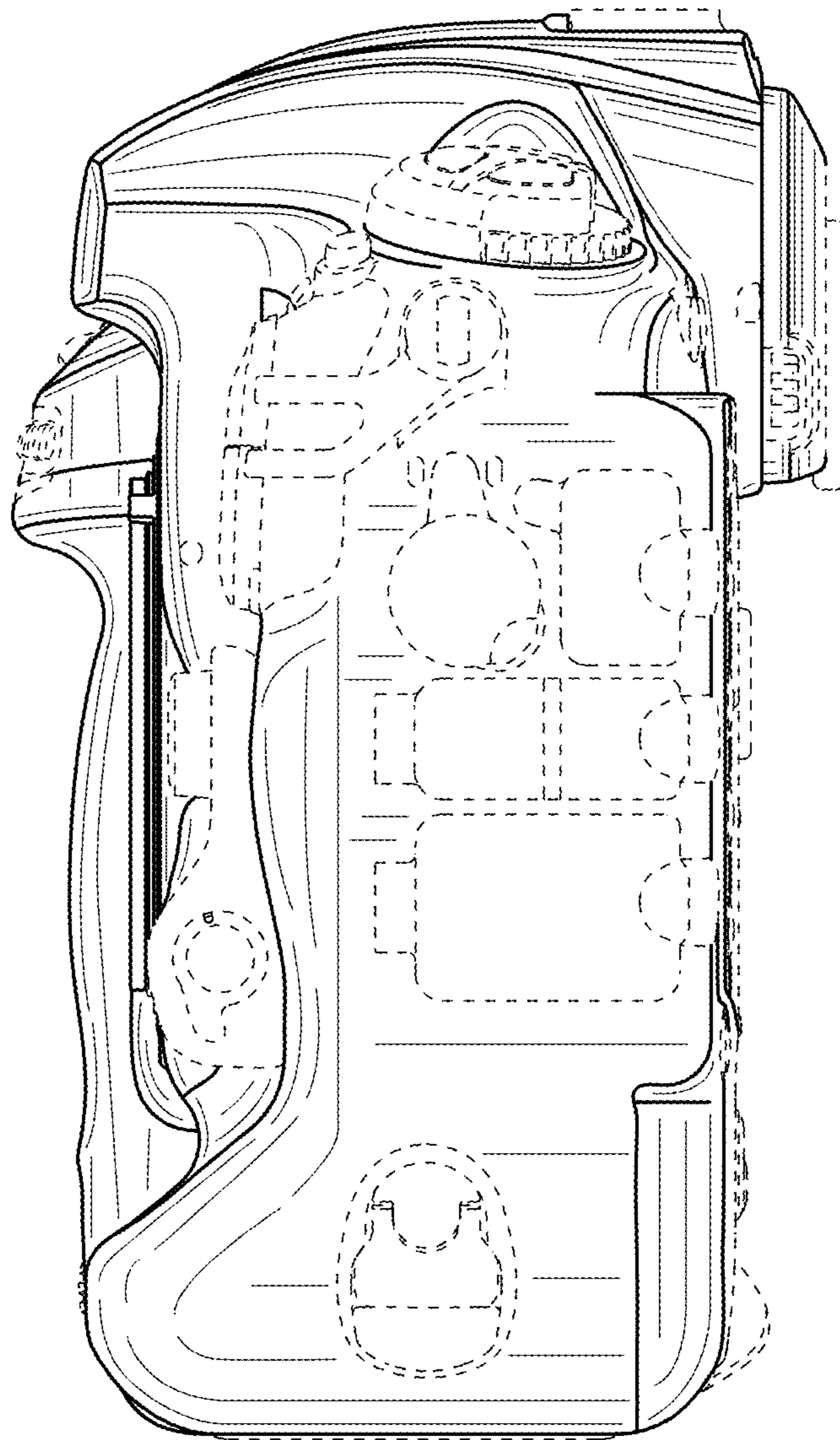


FIG. 8

