



US00D806770S

(12) **United States Design Patent** (10) **Patent No.:** **US D806,770 S**
Murphy (45) **Date of Patent:** **** Jan. 2, 2018**

(54) **OXYGEN ACETYLENE TORCH HANDLE**

(71) Applicant: **Dan A. Murphy**, Two Harbors, MN (US)

(72) Inventor: **Dan A. Murphy**, Two Harbors, MN (US)

(**) Term: **15 Years**

(21) Appl. No.: **29/571,476**

(22) Filed: **Jul. 19, 2016**

(51) **LOC (11) Cl.** **15-09**

(52) **U.S. Cl.**
USPC **D15/144.2**; D8/30

(58) **Field of Classification Search**
USPC D8/30, 107, 303; D15/144, 144.1, 2
CPC B23K 9/28; B23K 9/125; B23K 9/295;
B23K 9/1336
See application file for complete search history.

(56) **References Cited**

U.S. PATENT DOCUMENTS

D261,476 S *	10/1981	O'Donnell	D8/30
D329,971 S *	10/1992	Pryor	D8/30
D343,629 S *	1/1994	Bode	D15/144
D346,390 S *	4/1994	Sperling	D15/144
D350,884 S *	9/1994	Sperling	D8/30
D382,500 S *	8/1997	Johnson	D10/101
5,849,243 A	12/1998	Cononie		
6,225,599 B1 *	5/2001	Altekruse	B23K 9/124 219/137.31
D465,978 S *	11/2002	Miyanaga	D8/30
D486,368 S *	2/2004	Jones	D8/30
D488,968 S *	4/2004	Jones	D8/30
6,815,641 B2 *	11/2004	Doherty	B23K 9/28 219/137.31
6,887,146 B2 *	5/2005	Staas	B23Q 11/0046 144/252.1
D532,432 S *	11/2006	Owens	D15/144
D535,166 S *	1/2007	Kensrue	D8/30
D537,092 S *	2/2007	Owens	D15/144

7,244,909 B2 *	7/2007	Kensrue	B23K 9/28 219/137.31
D555,446 S *	11/2007	Picaza Ibarro	D15/144
D564,319 S *	3/2008	Tsai	D15/144
D638,270 S *	5/2011	Flattinger	D8/107
D647,382 S *	10/2011	Flattinger	D8/107
D659,496 S *	5/2012	Mochizuki	D8/29.1
D698,835 S *	2/2014	Juskowich	D15/144
D703,251 S *	4/2014	Raboin	D15/144.2
D711,946 S *	8/2014	Raboin	D15/144.2
D735,002 S *	7/2015	Bondy	D8/30
2003/0224707 A1 *	12/2003	Segiel, Jr.	B23Q 11/0046 451/451

(Continued)

OTHER PUBLICATIONS

CobraTorch, "What is Cobra Torch?", http://cobratorch.net/index.php?option=com_content&view=category&layout=blog&id=25&Itemid=27, Feb. 13, 2011.

Primary Examiner — Patricia Palasik
(74) *Attorney, Agent, or Firm* — Schroeder & Siegfried, P.A.

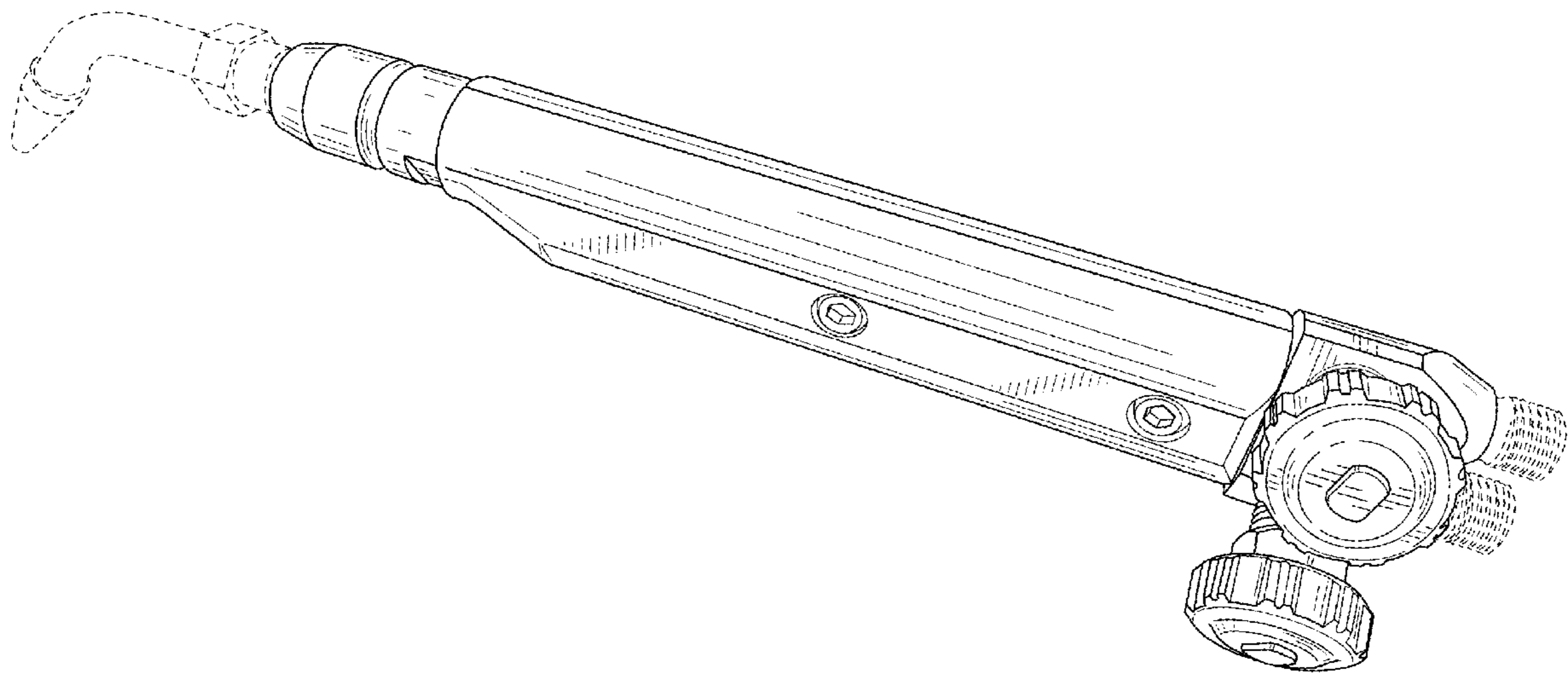
(57) **CLAIM**

The ornamental design for an oxygen acetylene torch handle, as shown and described.

DESCRIPTION

FIG. 1 is a perspective view of an oxygen acetylene torch handle showing my new design;
FIG. 2 is a front elevational view;
FIG. 3 is a rear elevational view;
FIG. 4 is a right side elevational view;
FIG. 5 is a left side elevational view;
FIG. 6 is a top plan view; and,
FIG. 7 is a bottom plan view.
The broken lines in the drawings represent environmental structure and form no part of the claimed design.

1 Claim, 4 Drawing Sheets



(56)

References Cited

U.S. PATENT DOCUMENTS

2011/0062131 A1* 3/2011 Binzel B23K 9/1087
219/136
2015/0069040 A1* 3/2015 Mayr B23K 9/28
219/137.44

* cited by examiner

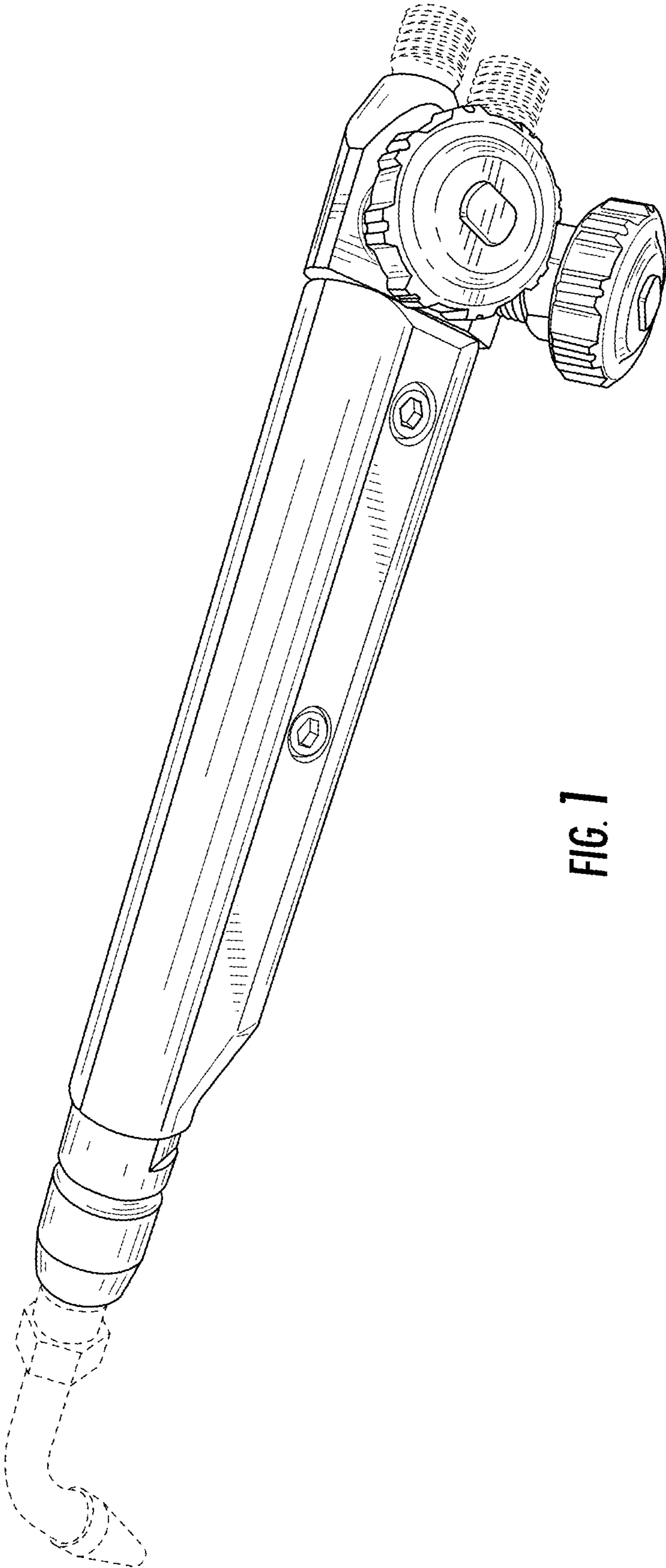


FIG. 1

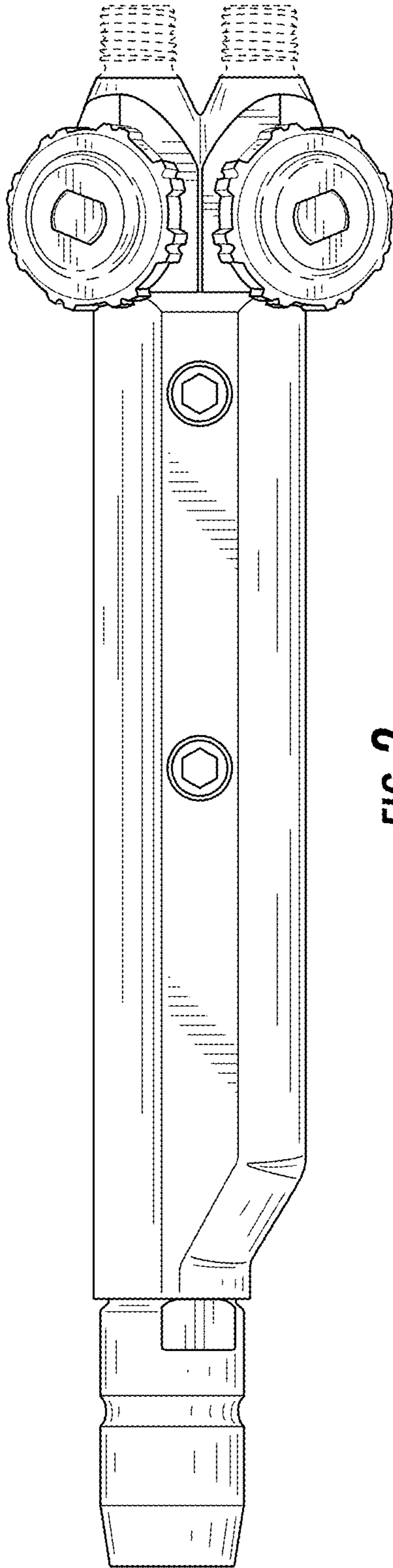


FIG. 2

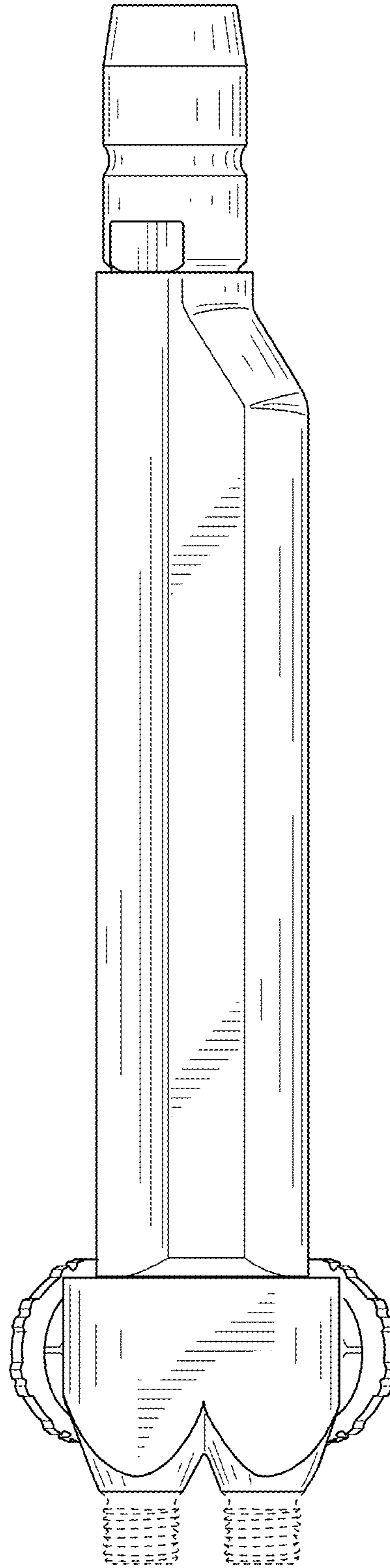


FIG. 3

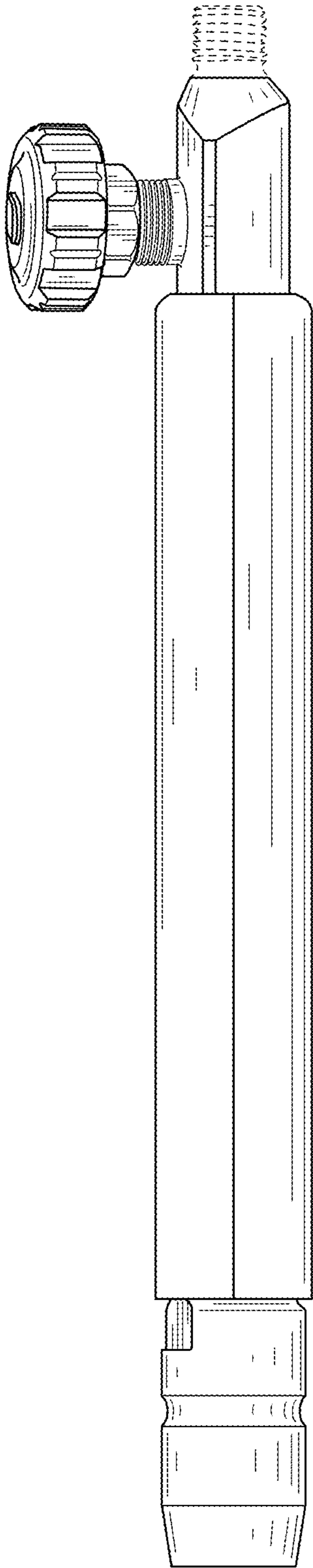


FIG. 4

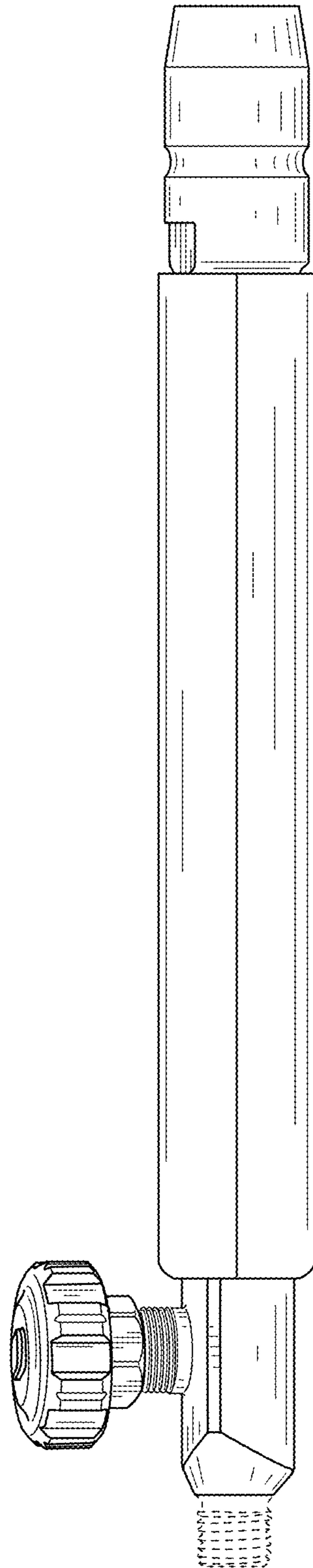


FIG. 5

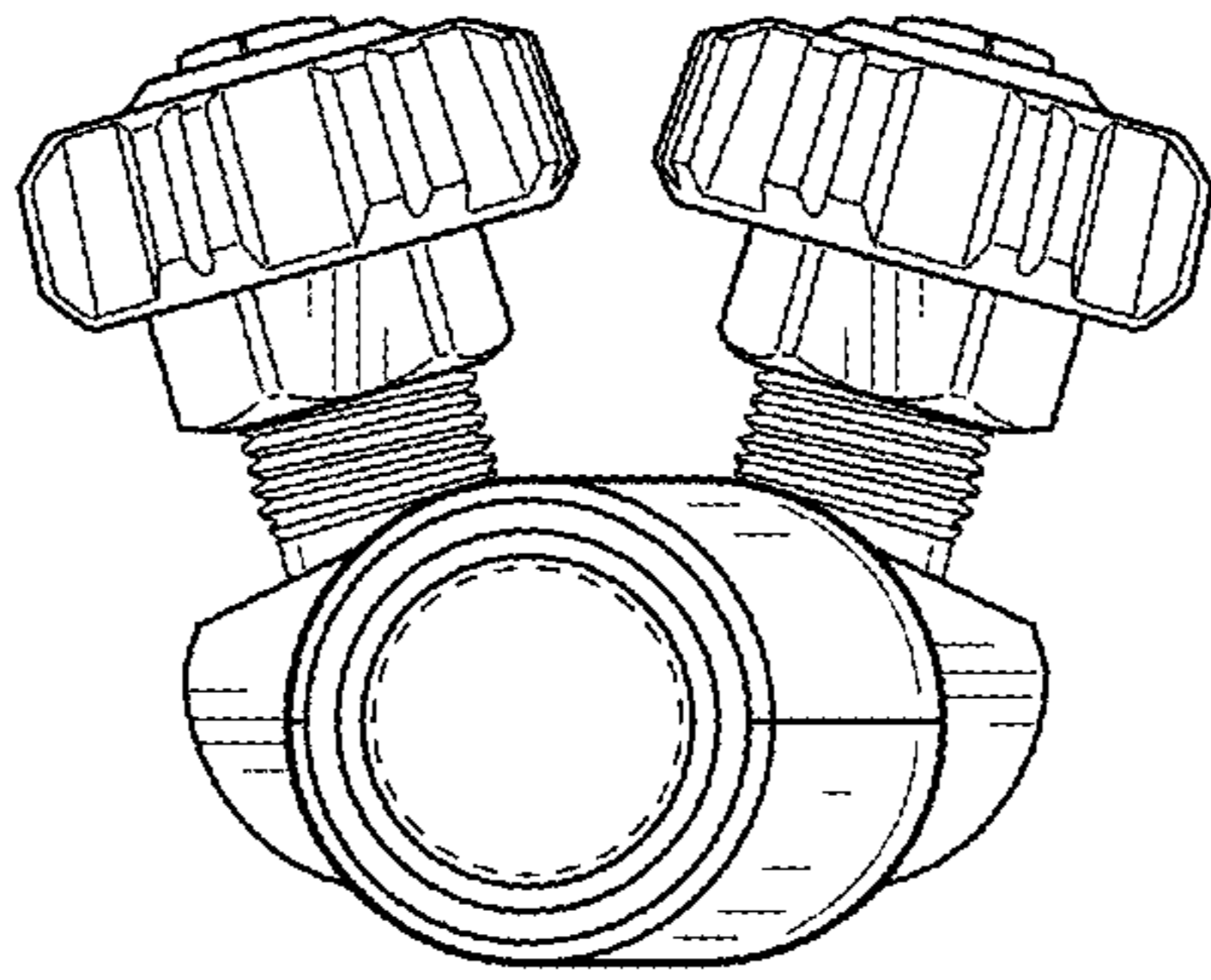


FIG. 6

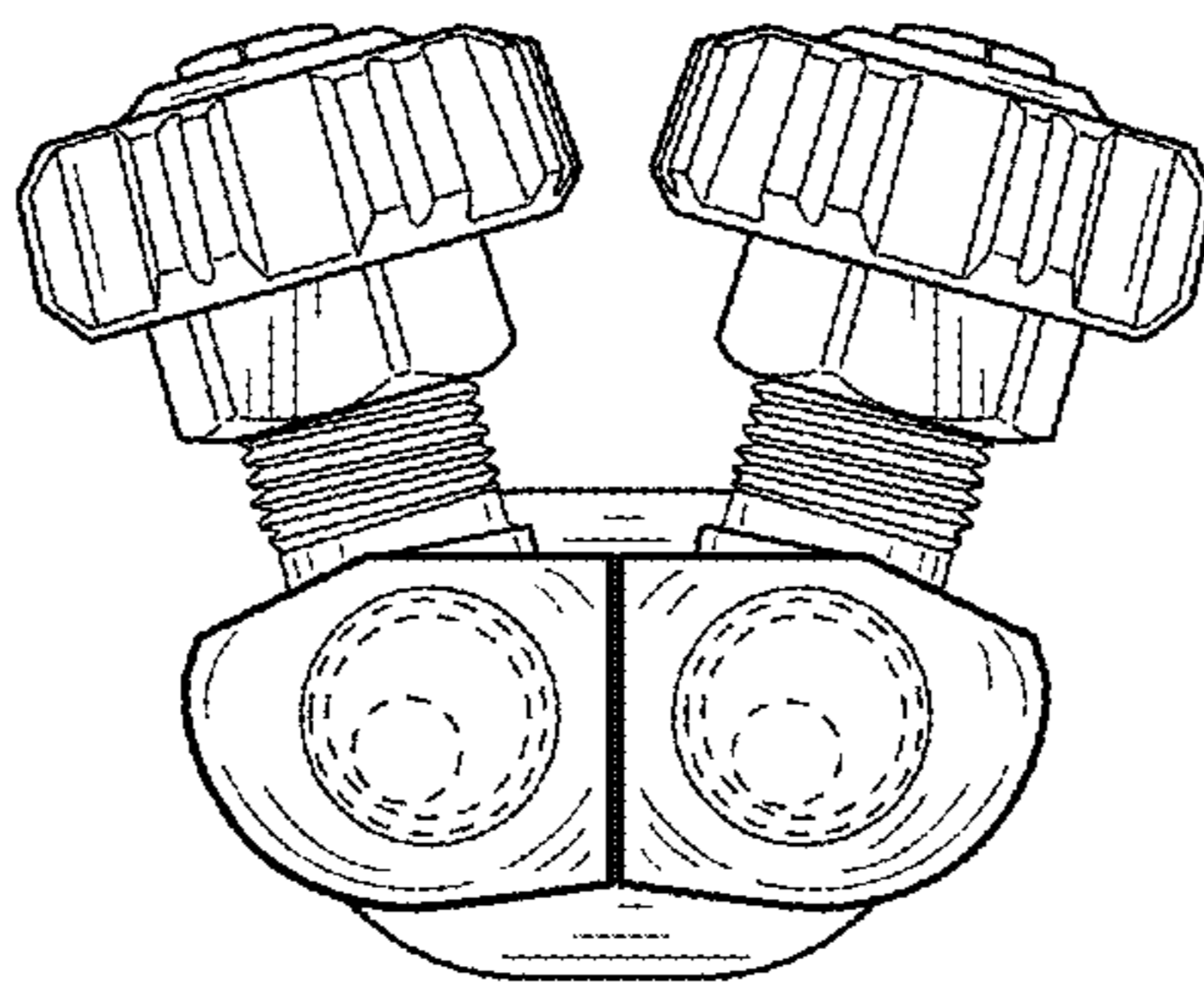


FIG. 7