



US00D806765S

(12) **United States Design Patent**
Kwon et al.

(10) **Patent No.:** **US D806,765 S**
(45) **Date of Patent:** **** Jan. 2, 2018**

(54) **DISPENSER FOR REFRIGERATOR**

(71) Applicant: **SAMSUNG ELECTRONICS CO., LTD.**, Suwon-si, Gyeonggi-do (KR)

(72) Inventors: **Yoonjoo Kwon**, Seoul (KR); **Binna Kim**, Seoul (KR); **Seojin Park**, Yongin-si (KR); **Seyoun Park**, Seoul (KR)

(73) Assignee: **SAMSUNG ELECTRONICS CO., LTD.**, Gyeonggi-Do (KR)

(**) Term: **15 Years**

(21) Appl. No.: **29/582,557**

(22) Filed: **Oct. 28, 2016**

(30) **Foreign Application Priority Data**

May 12, 2016 (KR) 30-2016-0022455

(51) **LOC (11) Cl.** **15-07**

(52) **U.S. Cl.**
USPC **D15/89**

(58) **Field of Classification Search**
USPC D15/79-91
CPC F25D 29/00; F25D 11/003; F25D 2700/08;
F25D 11/02; F25D 11/022; F25D 13/06;
F25D 19/006; F25D 2201/14; F25D
2323/00261; F25D 2323/00262; F25D
2323/00272; F25D 2400/361; F25D
2500/06; F25D 2700/02; F25D 2700/12;
F25D 29/005; F25D 29/008; F25D
31/002

See application file for complete search history.

(56) **References Cited**

U.S. PATENT DOCUMENTS

D375,431 S * 11/1996 Credle, Jr. D7/306
D560,694 S * 1/2008 Yeo D15/89

D568,911 S * 5/2008 Jeon D15/89
D704,492 S * 5/2014 Broen D7/306
D714,843 S * 10/2014 Jeon D15/89
D714,844 S * 10/2014 Jeon D15/89
D714,845 S * 10/2014 Jeon D15/89
D730,956 S * 6/2015 You D15/91
D754,760 S * 4/2016 Seo D15/89
D756,425 S * 5/2016 Seo D15/89
D786,322 S * 5/2017 Kim D15/89

* cited by examiner

Primary Examiner — Ian Simmons

Assistant Examiner — Khawaja Anwar

(74) *Attorney, Agent, or Firm* — Cantor Colburn LLP

(57) **CLAIM**

The ornamental design for a dispenser for refrigerator, as shown and described.

DESCRIPTION

FIG. 1 is a front perspective view of a dispenser for refrigerator showing our new design; FIG. 2 is a front view thereof; FIG. 3 is a rear view thereof; FIG. 4 is a left side view thereof; FIG. 5 is a right side view thereof; FIG. 6 is the top view thereof; FIG. 7 is a bottom view thereof; FIG. 8 is a front perspective view thereof, as shown in an alternate configuration; FIG. 9 is a front perspective view thereof, as shown in another alternate configuration; and, FIG. 10 is a front perspective view thereof. The broken lines shown in FIGS. 1-9 represent unclaimed features that form no part of the claimed design; the broken lines shown in FIG. 10 represent environment that forms no part of the claimed design.

1 Claim, 10 Drawing Sheets

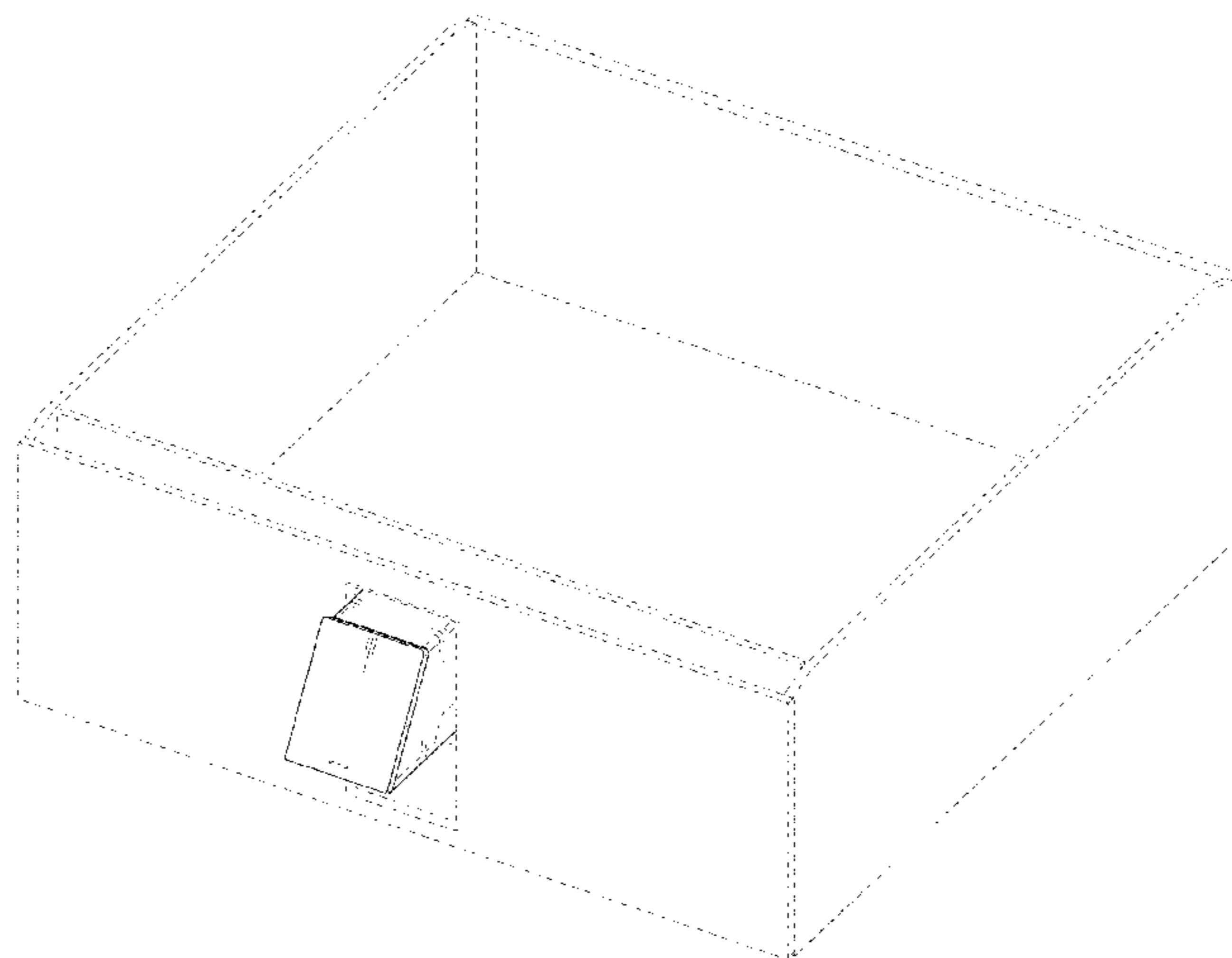


FIG. 1

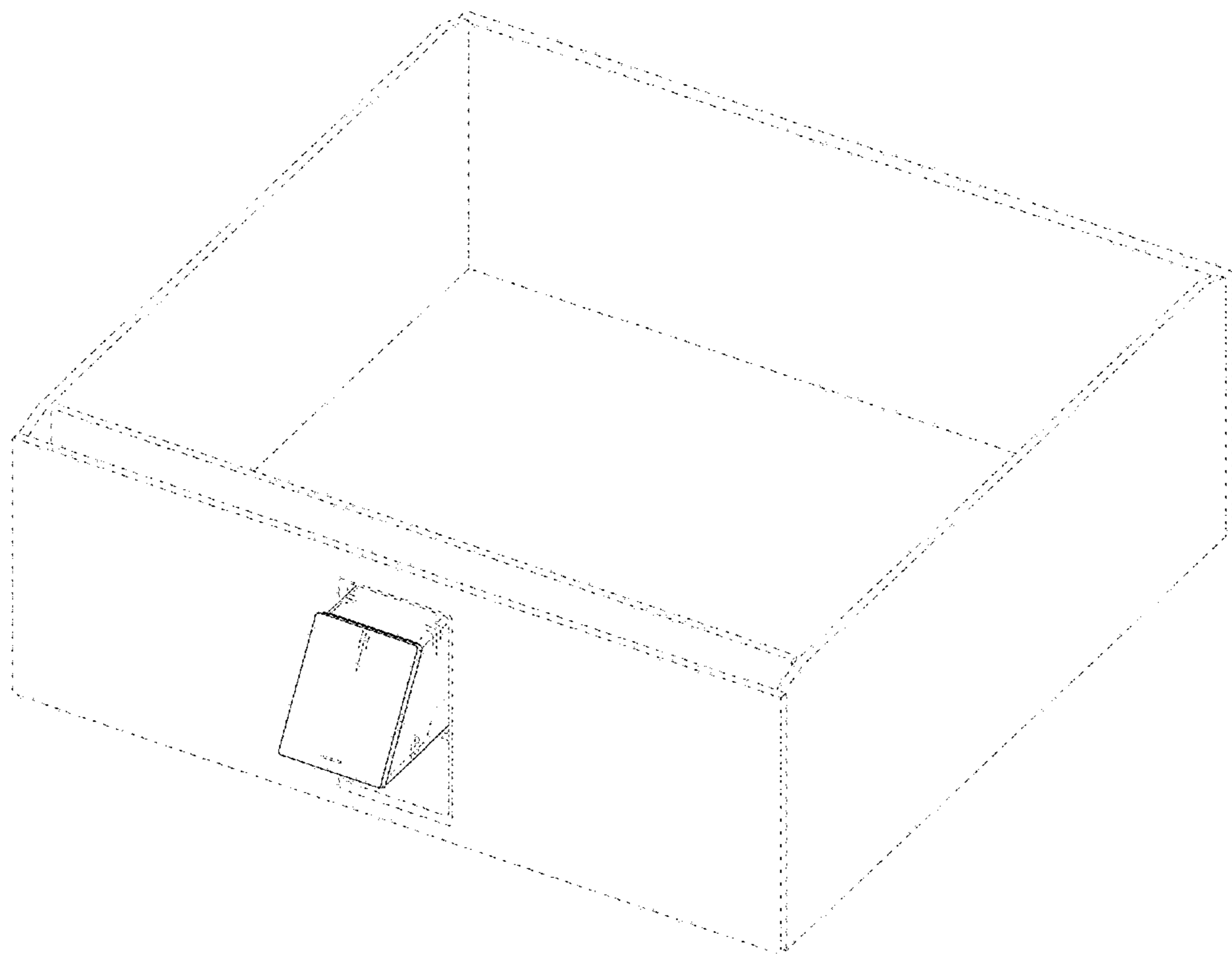


FIG. 2

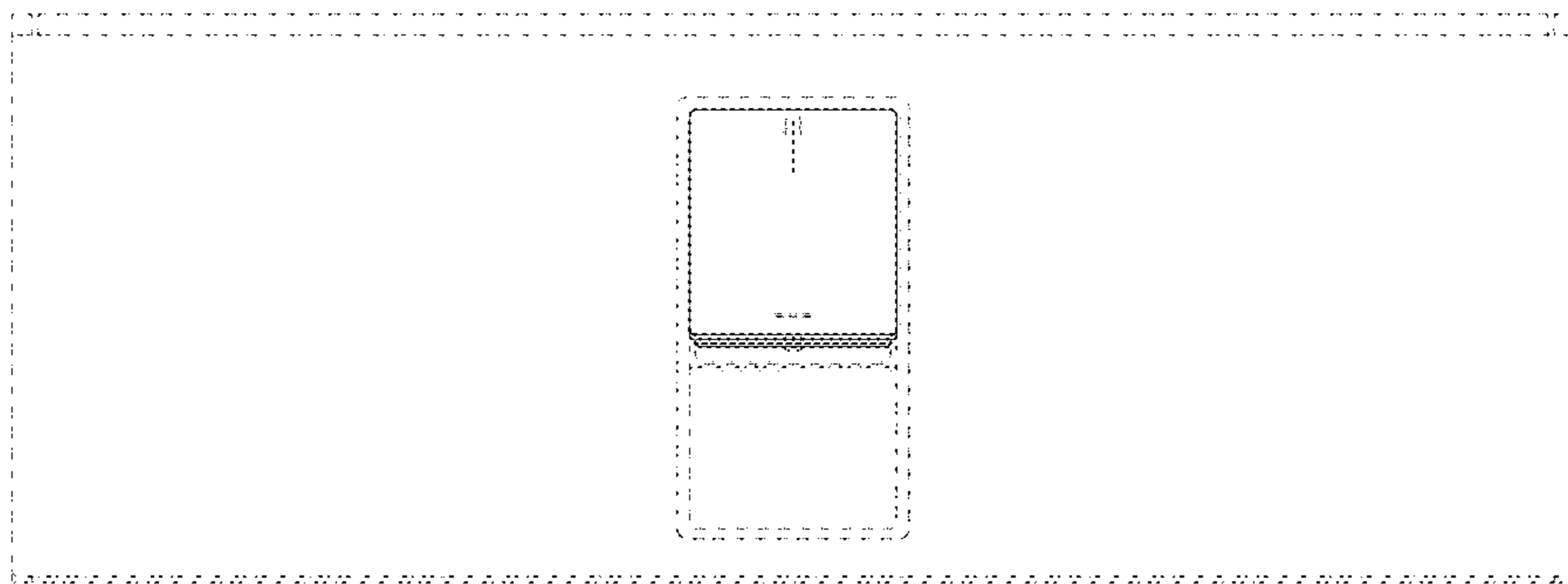


FIG. 3



FIG. 4

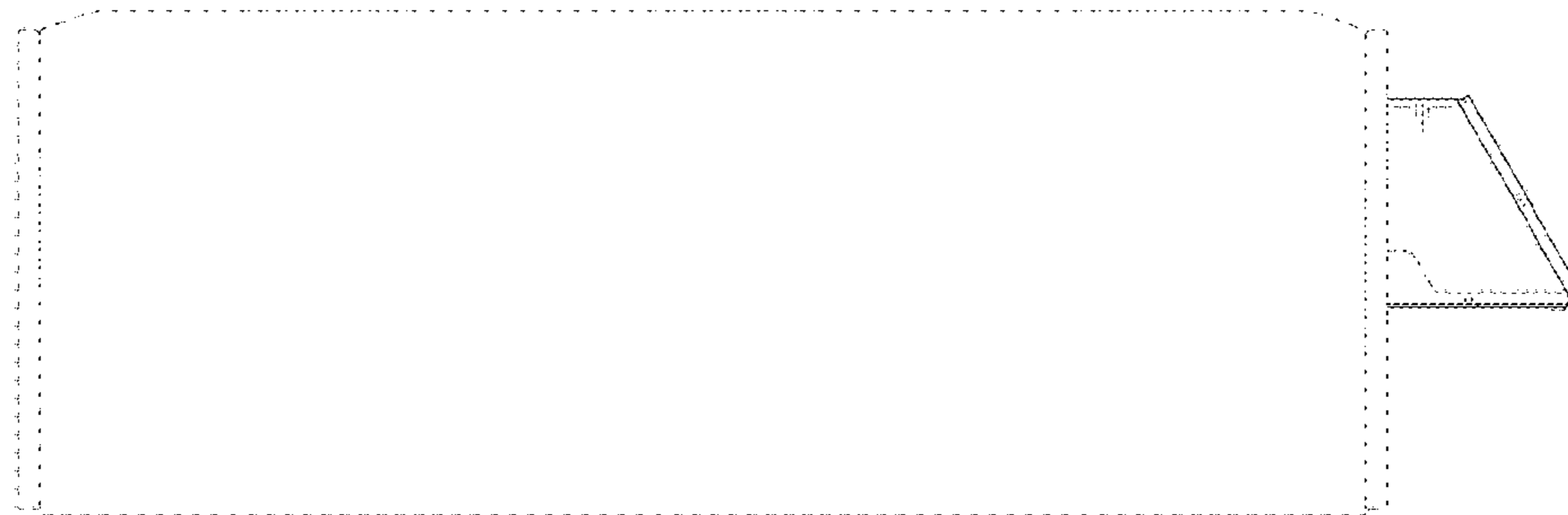


FIG. 5



FIG. 6

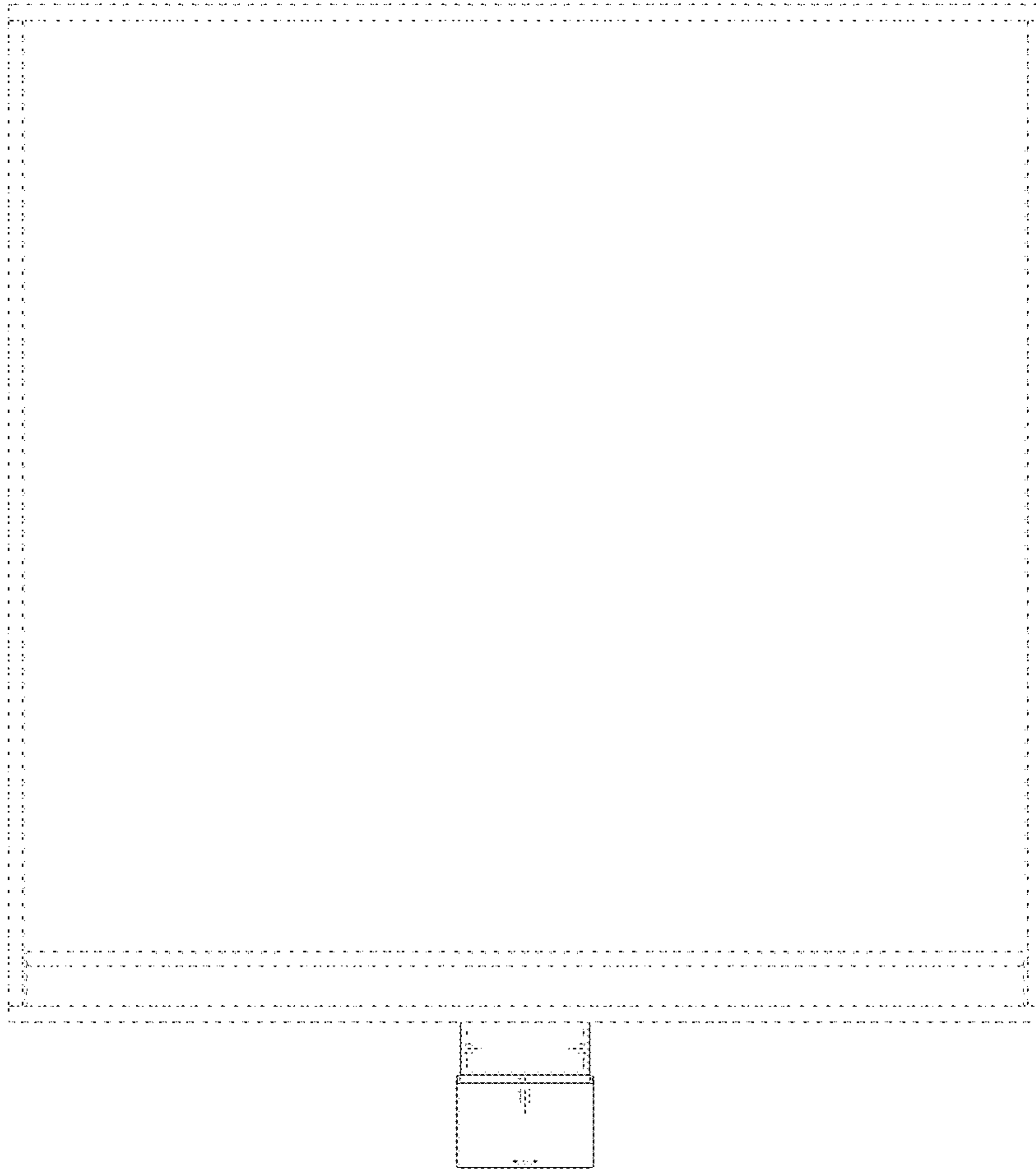


FIG. 7

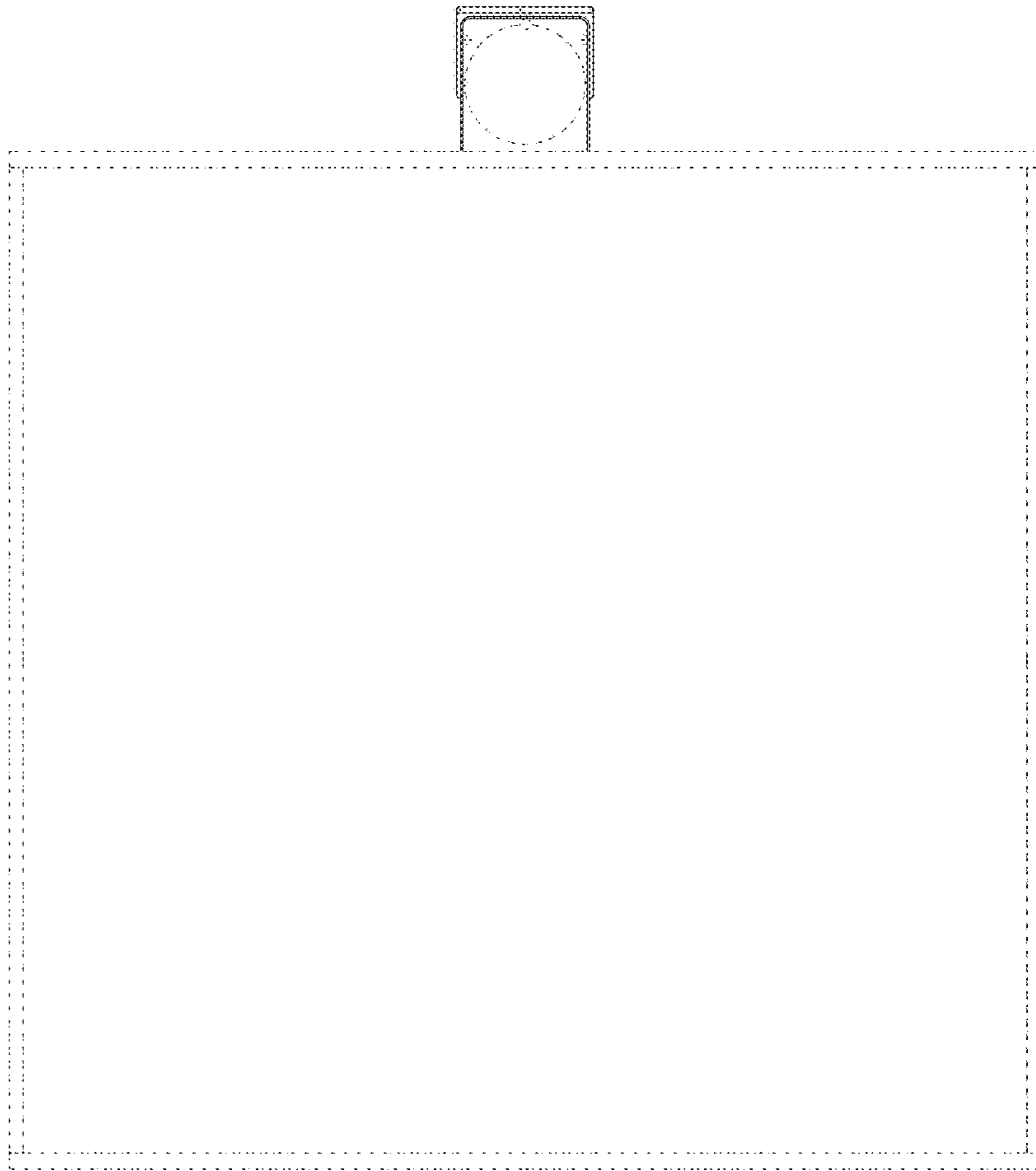


FIG. 8

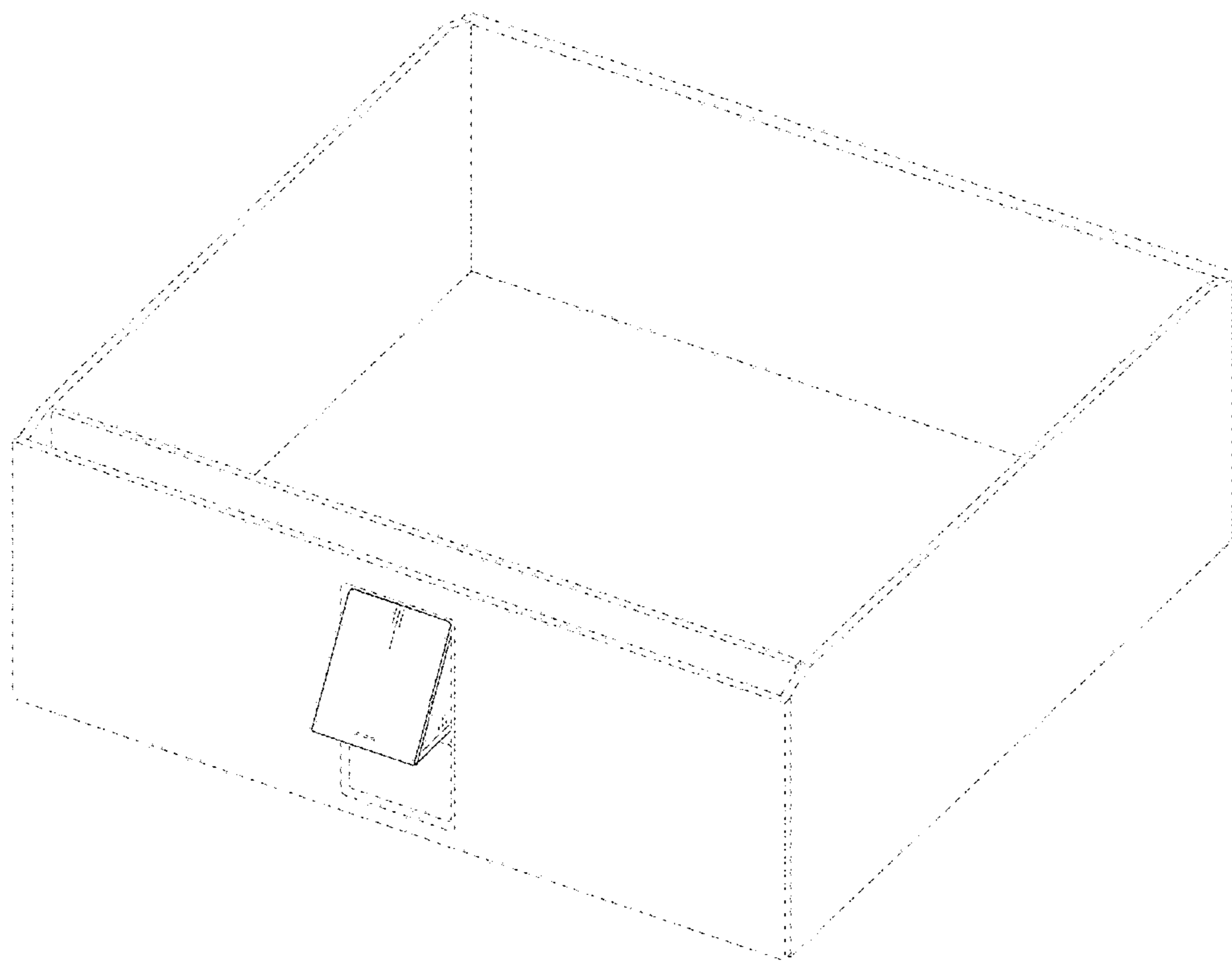


FIG. 9

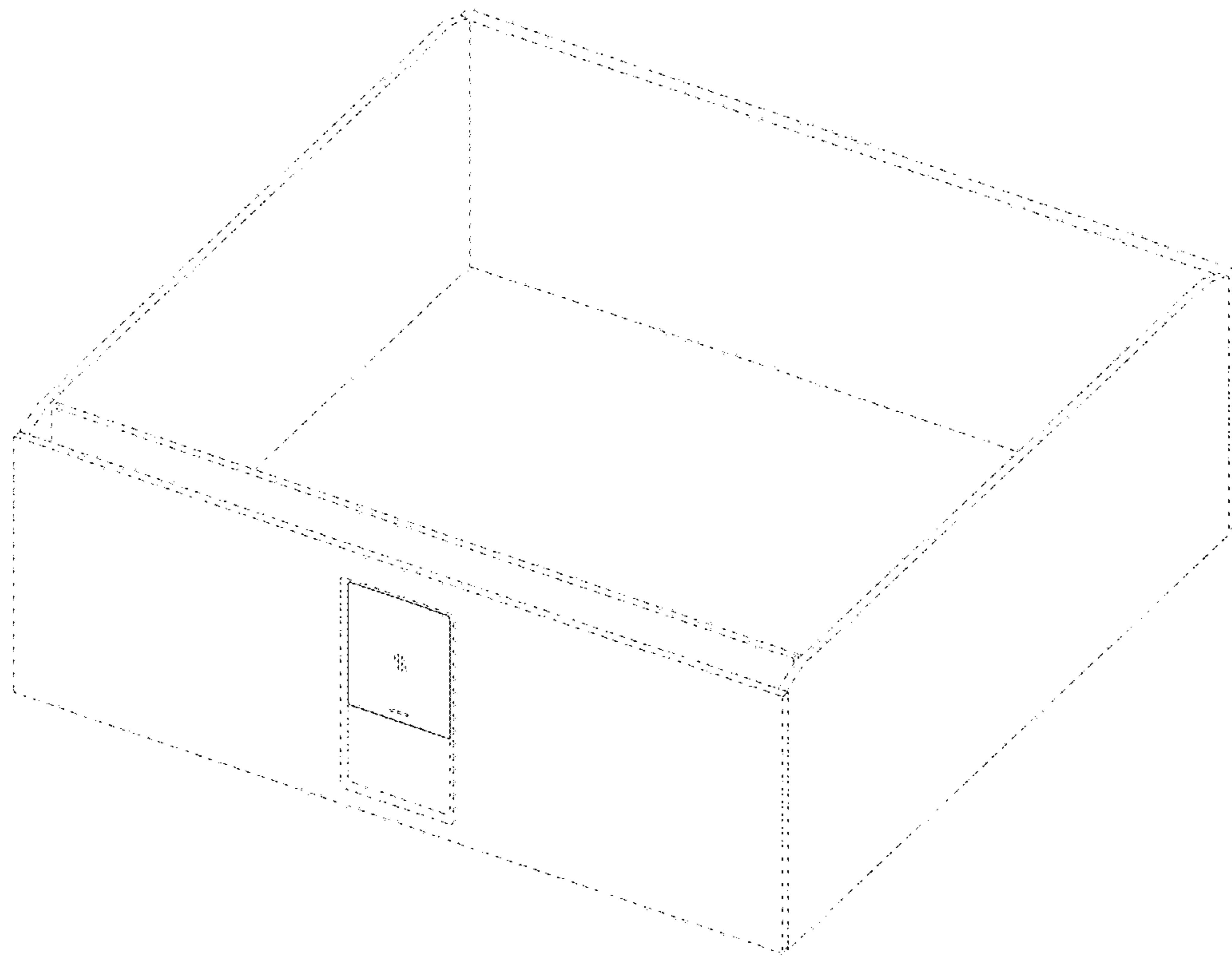


FIG. 10

