



US00D806764S

(12) **United States Design Patent**
McConnell

(10) **Patent No.:** **US D806,764 S**
(45) **Date of Patent:** **** Jan. 2, 2018**

(54) **APPLIANCE CABINET INTERIOR LINER WITH COLOR**

(71) Applicant: **Whirlpool Corporation**, Benton Harbor, MI (US)

(72) Inventor: **Jessica McConnell**, St. Joseph, MI (US)

(73) Assignee: **Whirlpool Corporation**, Benton Harbor, MI (US)

(**) Term: **15 Years**

(21) Appl. No.: **29/527,386**

(22) Filed: **May 19, 2015**

Related U.S. Application Data

(62) Division of application No. 29/450,128, filed on Mar. 15, 2013, now Pat. No. Des. 732,088.

(51) **LOC (11) Cl.** **15-07**

(52) **U.S. Cl.**
USPC **D15/89**

(58) **Field of Classification Search**
USPC D15/79-91

(Continued)

(56) **References Cited**

U.S. PATENT DOCUMENTS

D616,001 S 5/2010 Yang et al.
D658,214 S * 4/2012 Seo D15/86

(Continued)

Primary Examiner — Ian Simmons

Assistant Examiner — Khawaja Anwar

(74) *Attorney, Agent, or Firm* — Price Heneveld LLP

(57) **CLAIM**

I claim the ornamental design for an appliance cabinet interior liner with color, as shown.

DESCRIPTION

FIG. 1 is a perspective view of the outside of a refrigerator of the present invention;

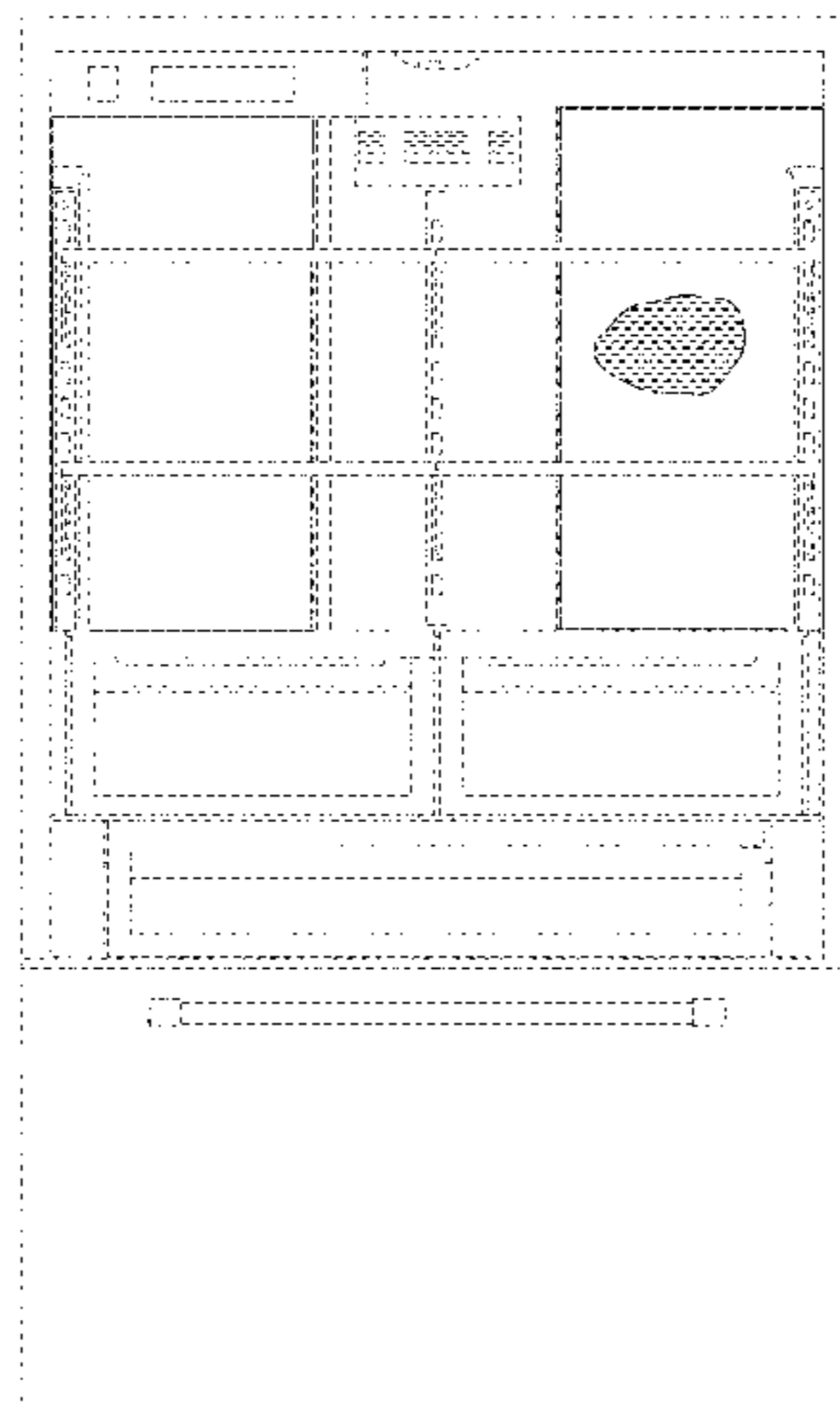


FIG. 2 is a front plan view of the outside of a refrigerator of the present invention;

FIG. 3 is a right side plan view of the outside of a refrigerator of the present invention;

FIG. 4 is a top plan view of the outside of a refrigerator of the present invention;

FIG. 5 is a bottom plan view of the outside of a refrigerator of the present invention;

FIG. 6 is a front perspective view with the cabinet doors open of the present invention;

FIG. 7 is a front plan view of the cabinet interior of the present invention;

FIG. 8 is a perspective view of the right side of the cabinet interior of the present invention;

FIG. 9 is a perspective view of the left side of the cabinet interior of the present invention;

FIG. 10 is a perspective view of the right door of the present invention;

FIG. 11 is a plan view of the right door of the present invention;

FIG. 12 is a perspective view of the left door of the present invention;

FIG. 13 is a plan view of the left door of the present invention;

FIG. 14 is a front perspective view with the cabinet doors and freezer drawer open of the present invention; and,

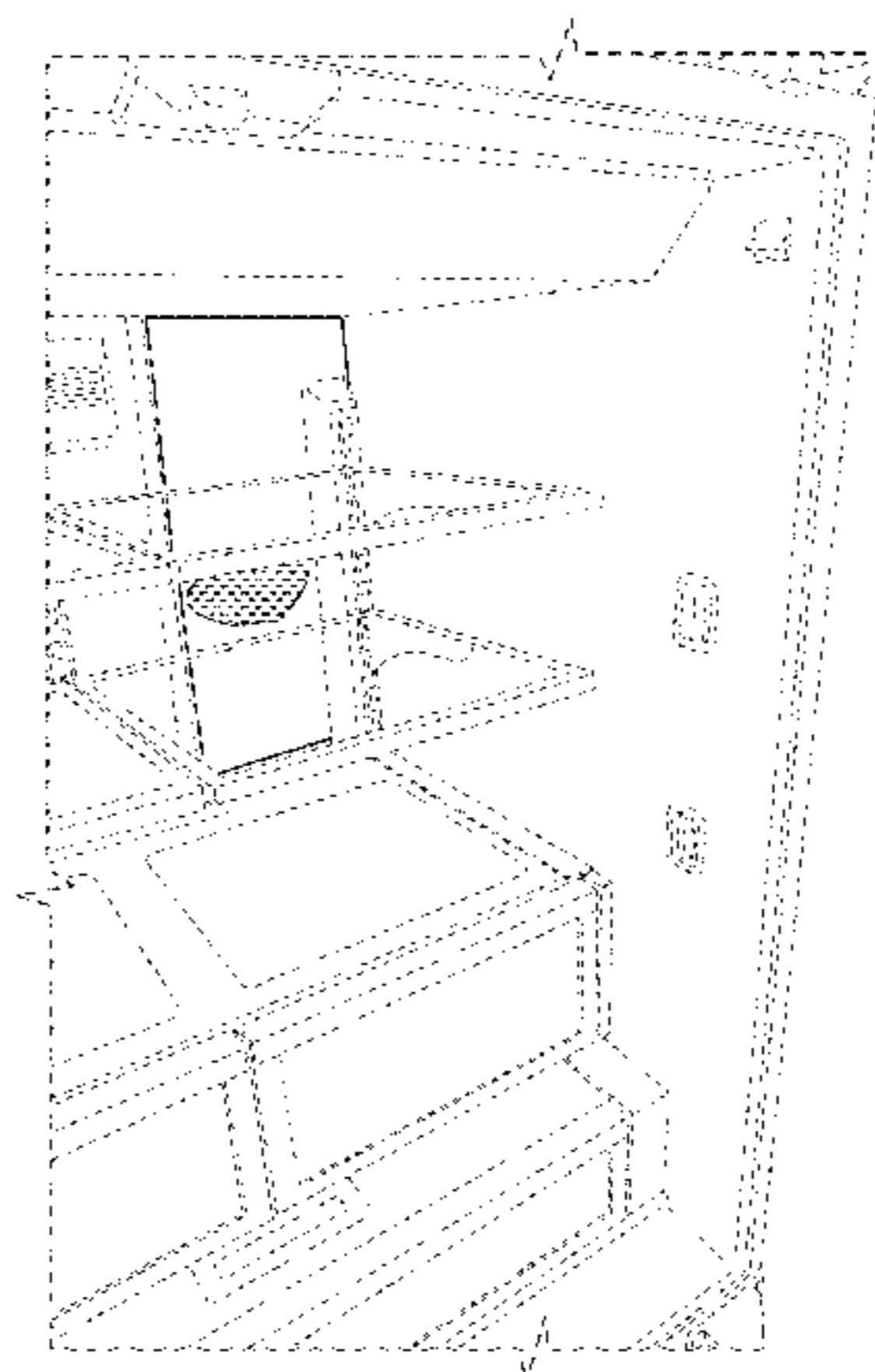
FIG. 15 is a perspective view of the interior of the freezer of the present invention.

The broken lines in the figures are for contextual purposes or show the environment and form no part of the claimed design.

The shaded portions within the dot-dash-dot-dash lines on the cabinet liner of the appliance represent the color silver, where the color silver has the following color characteristics according to the CIELAB System:

25 degree angle	L 75.18	a +.21	b +2.70
45 degree angle	L 59.40	a -1.59	b -2.33
75 degree angle	L 49.36	a -2.96	b -5.82.

1 Claim, 14 Drawing Sheets



(58) **Field of Classification Search**

CPC F25D 17/042; F25D 2331/805; F25D
23/028; F25D 2400/40; F25D 2500/02;
F25D 2500/06; F25D 25/022; F25D
25/028; F25D 2201/00; F25D 2317/041;
F25D 2317/0411; F25D 2317/0416; F25D
2323/122; F25D 2325/00; F25D 2327/00;
F25D 2331/809; F25D 2331/81; F25D
23/062; F25D 23/065; F25D 23/069;
F25D 23/087; F25D 23/126; F25D
2400/36; F25D 2400/361; F25D 25/00;
F25D 2600/00; F25D 2600/02; F25D
2700/123; F25D 29/00; F25D 29/003;
F25D 29/005

See application file for complete search history.

(56) **References Cited**

U.S. PATENT DOCUMENTS

D668,696	S	10/2012	Seo et al.	
D671,151	S	11/2012	Seo et al.	
D671,572	S	11/2012	Seo et al.	
D674,417	S	1/2013	Seo et al.	
D685,010	S *	6/2013	Seo	D15/86
D727,374	S *	4/2015	McConnell	D15/85
D727,377	S *	4/2015	Jeon	D15/89
D731,561	S *	6/2015	McConnell	D15/89
D750,141	S *	2/2016	McConnell	D15/89
D759,733	S *	6/2016	Lee	D15/85
D761,335	S *	7/2016	McConnell	D15/89
D761,885	S *	7/2016	McConnell	D15/89
D775,675	S *	1/2017	Kim	D15/91
D776,173	S *	1/2017	Kim	D15/91

* cited by examiner

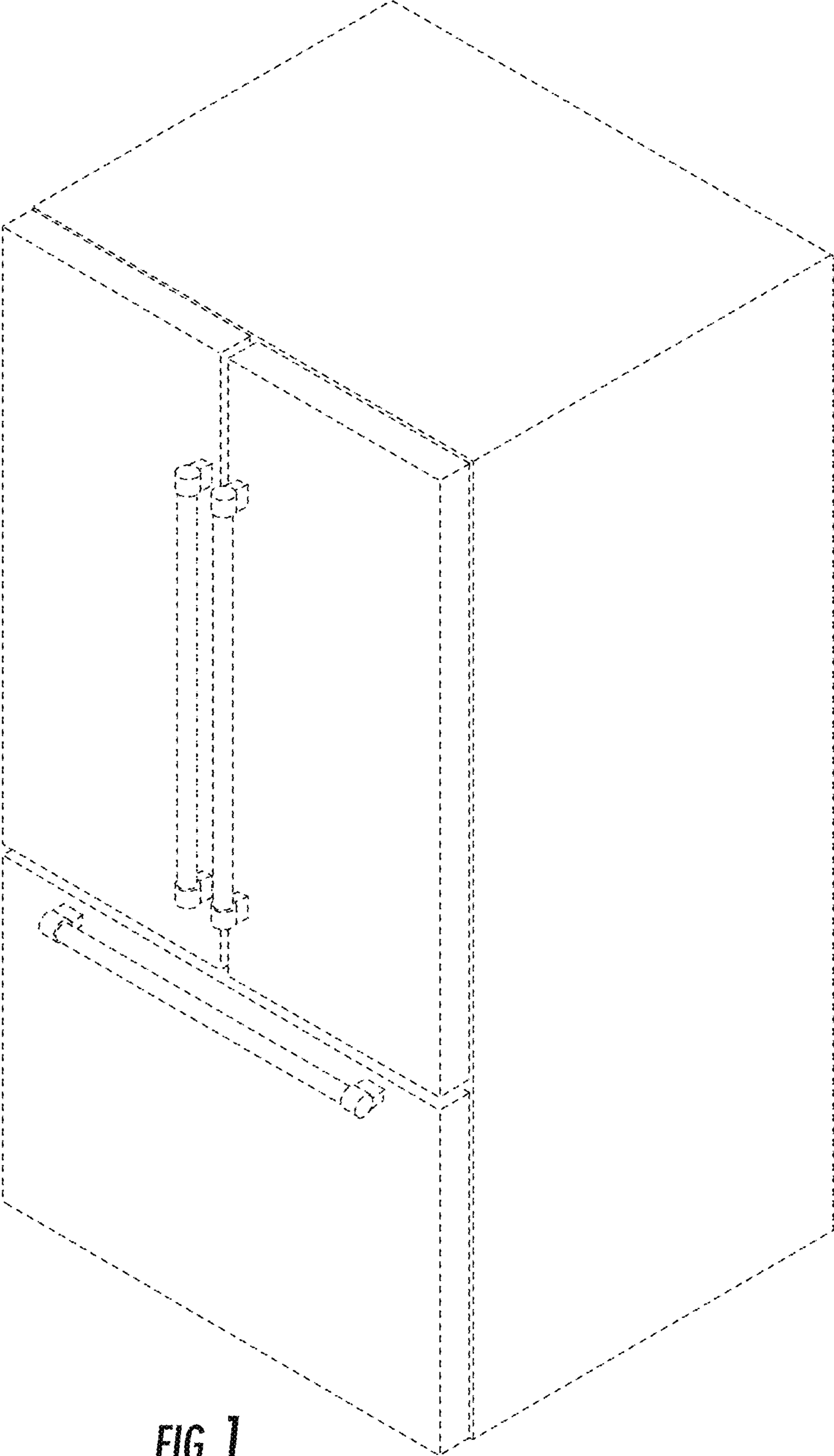


FIG. 1

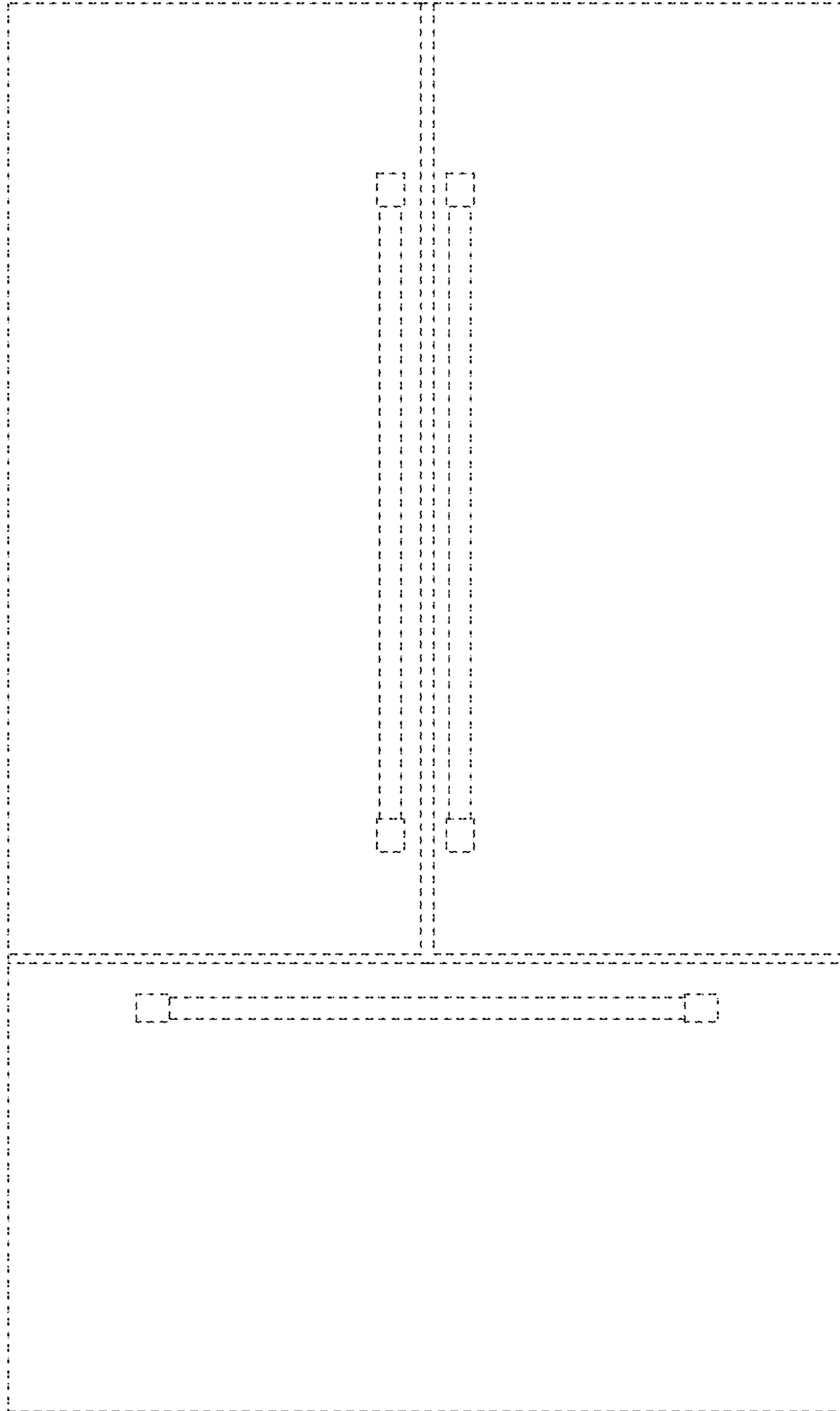


FIG. 2

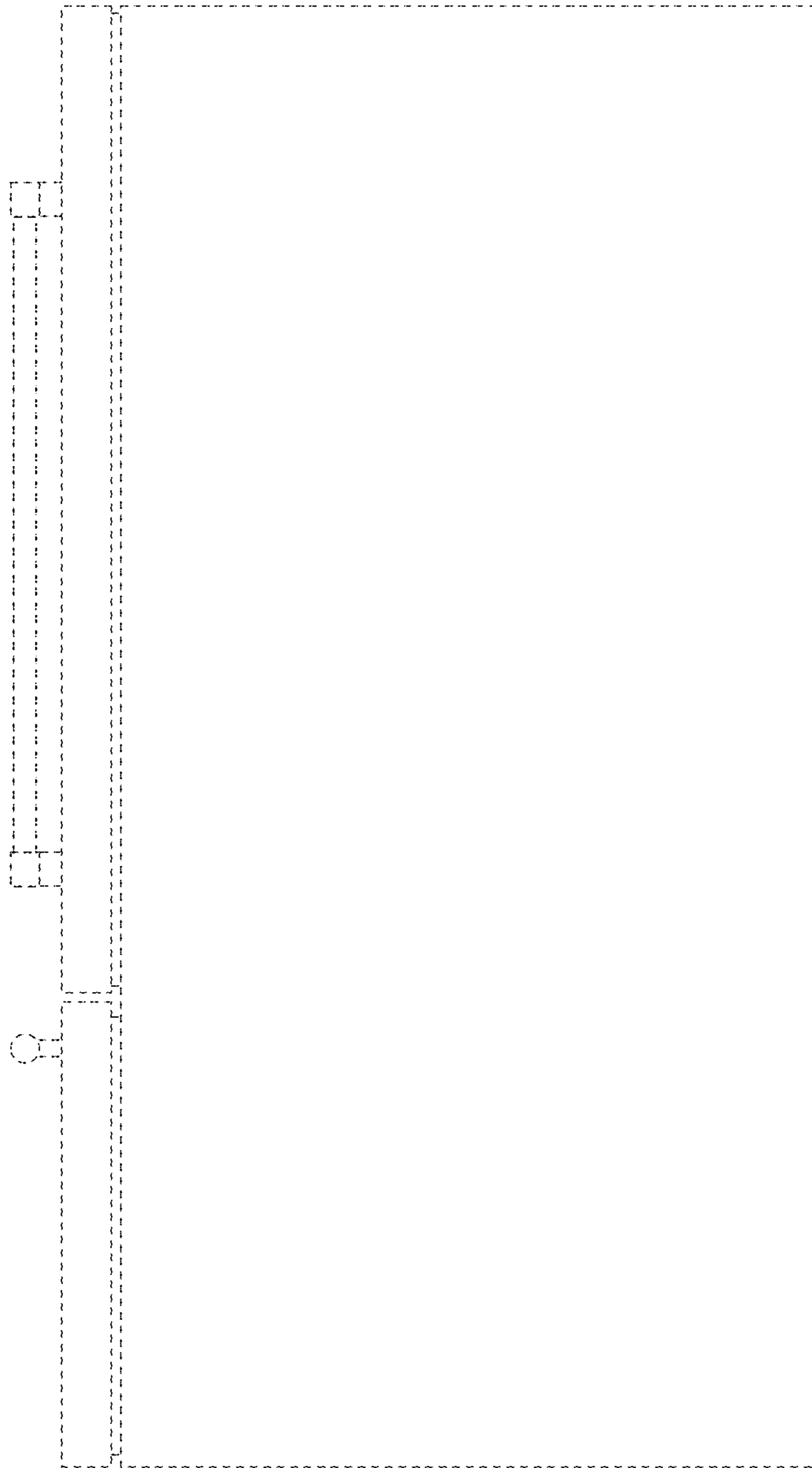


FIG. 3

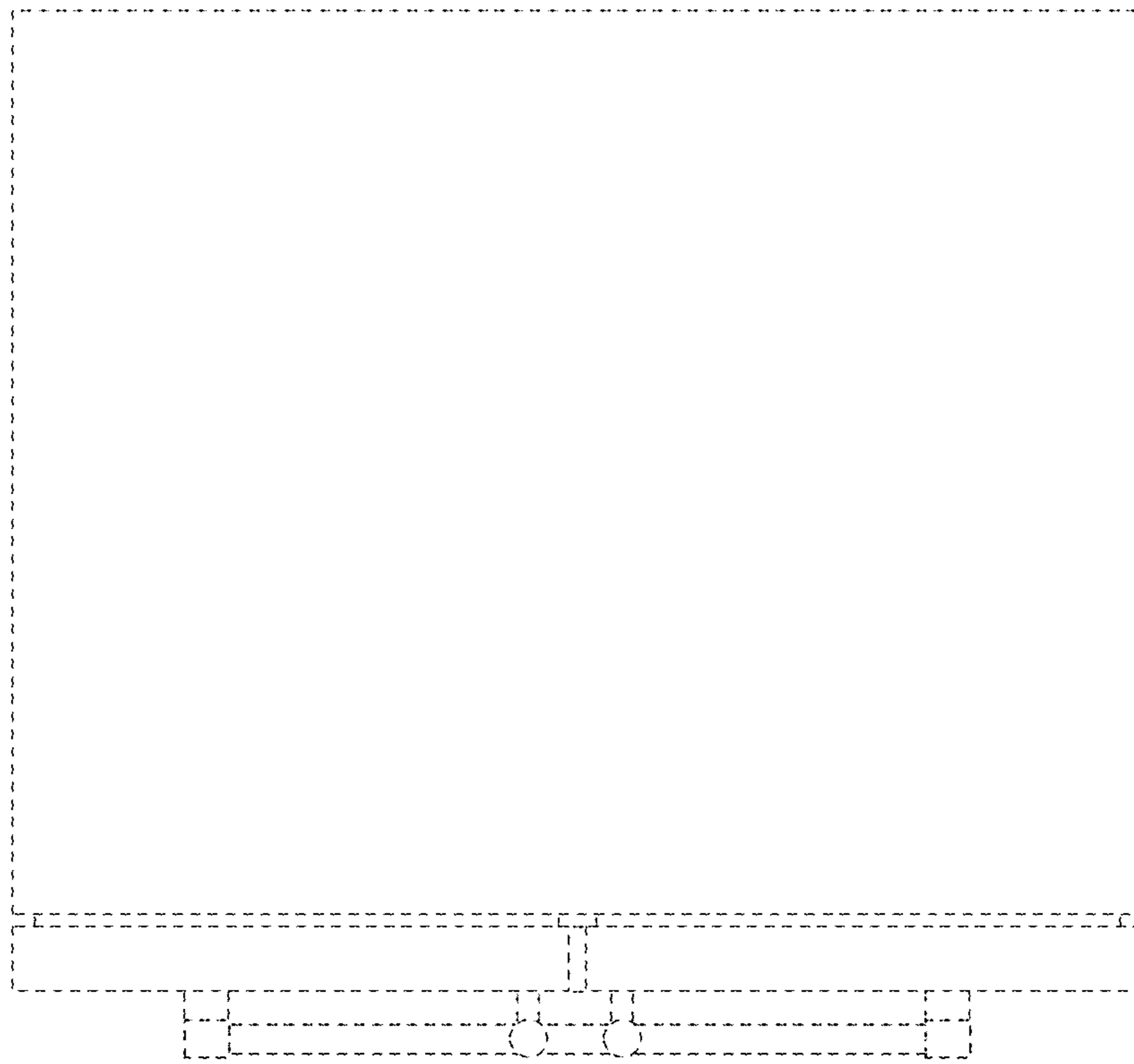


FIG. 4

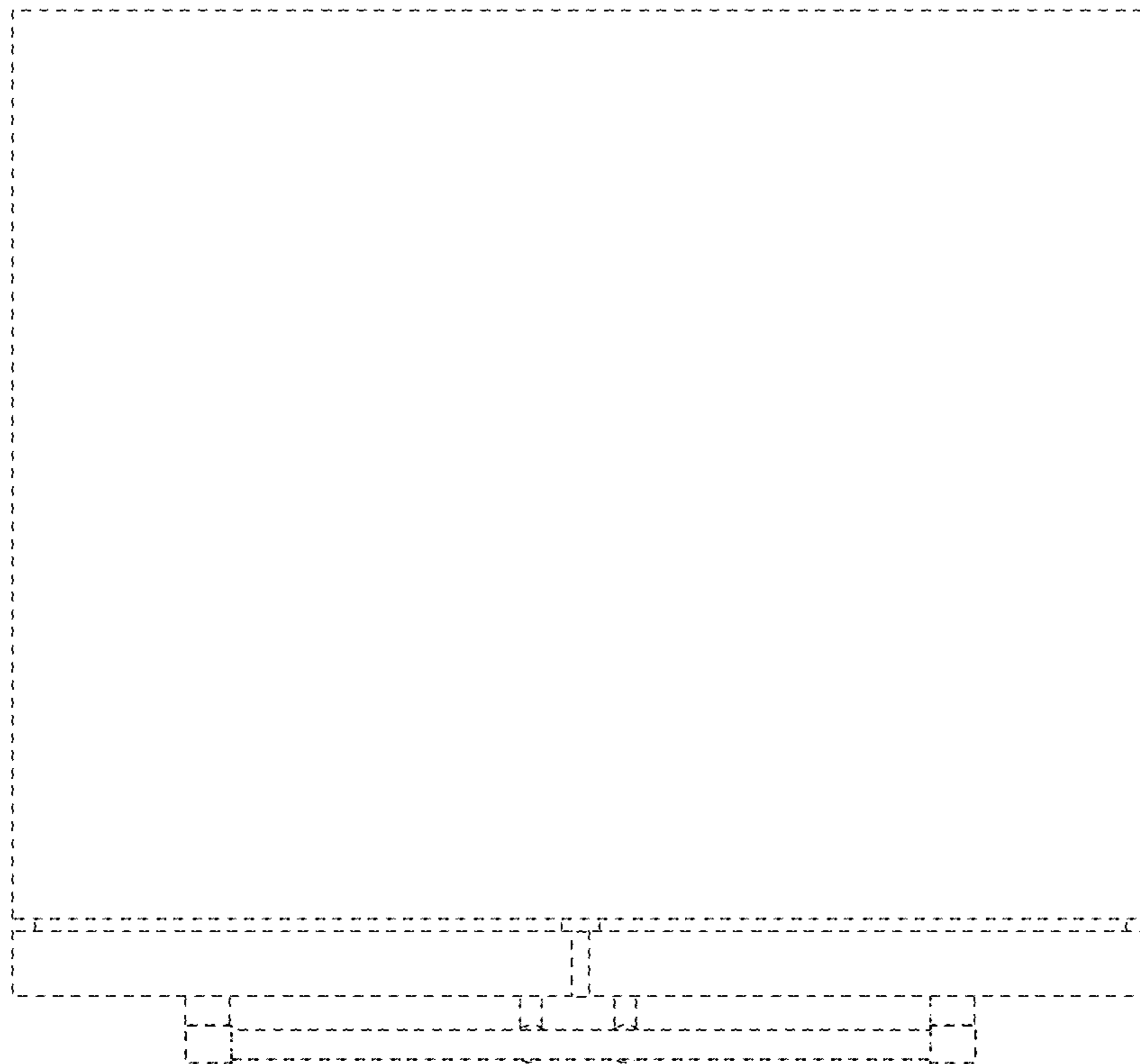


FIG. 5

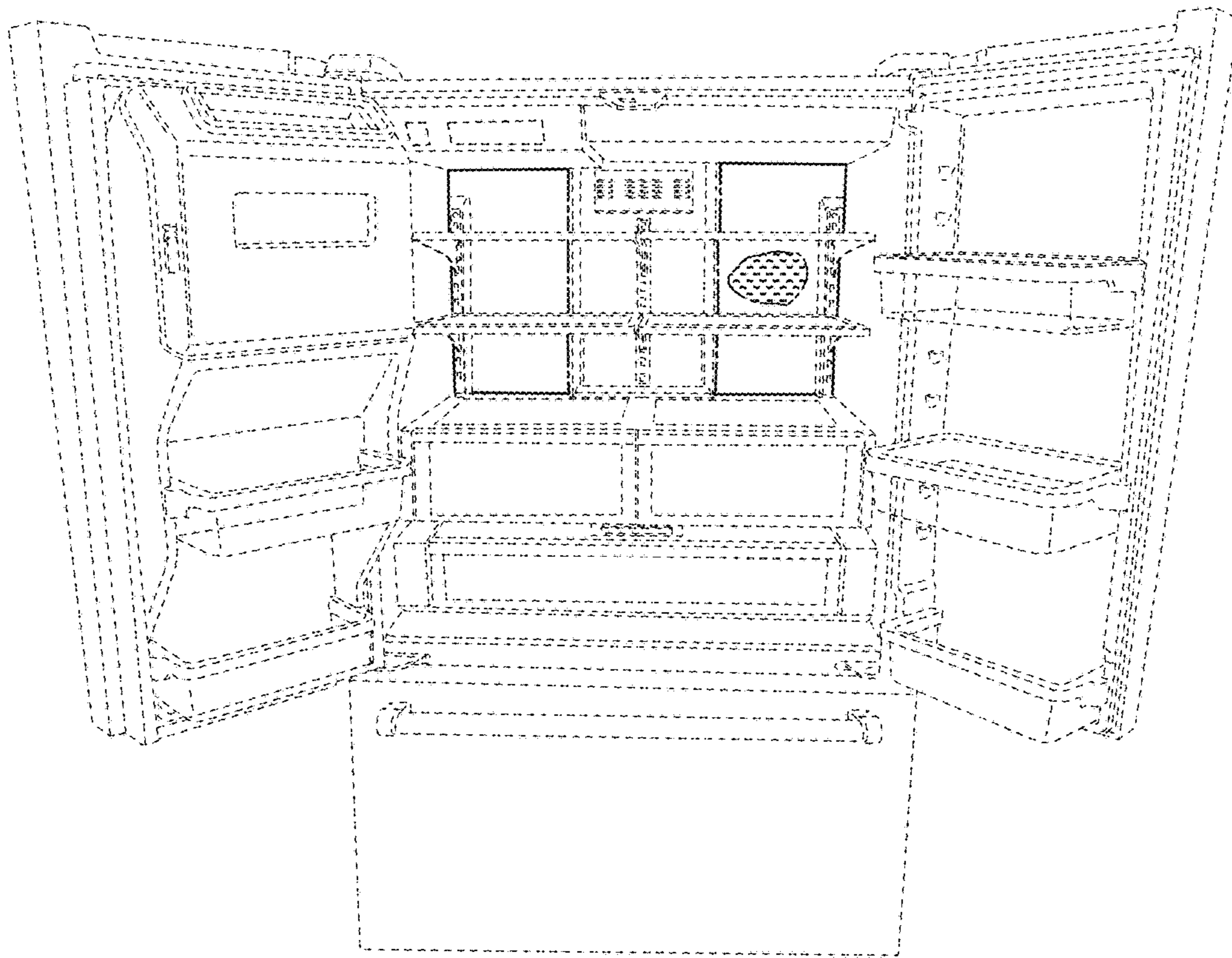


FIG. 6

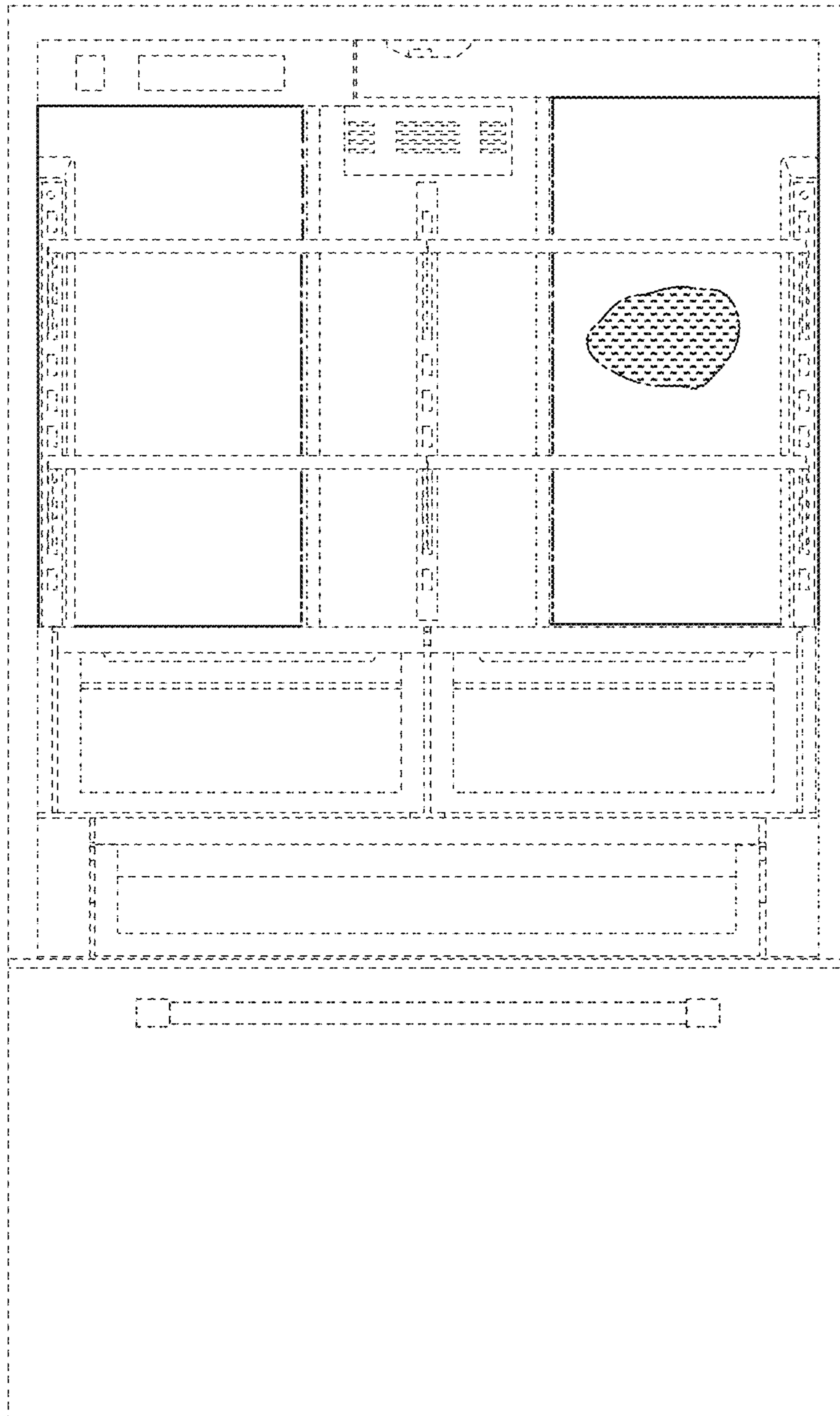


FIG. 7

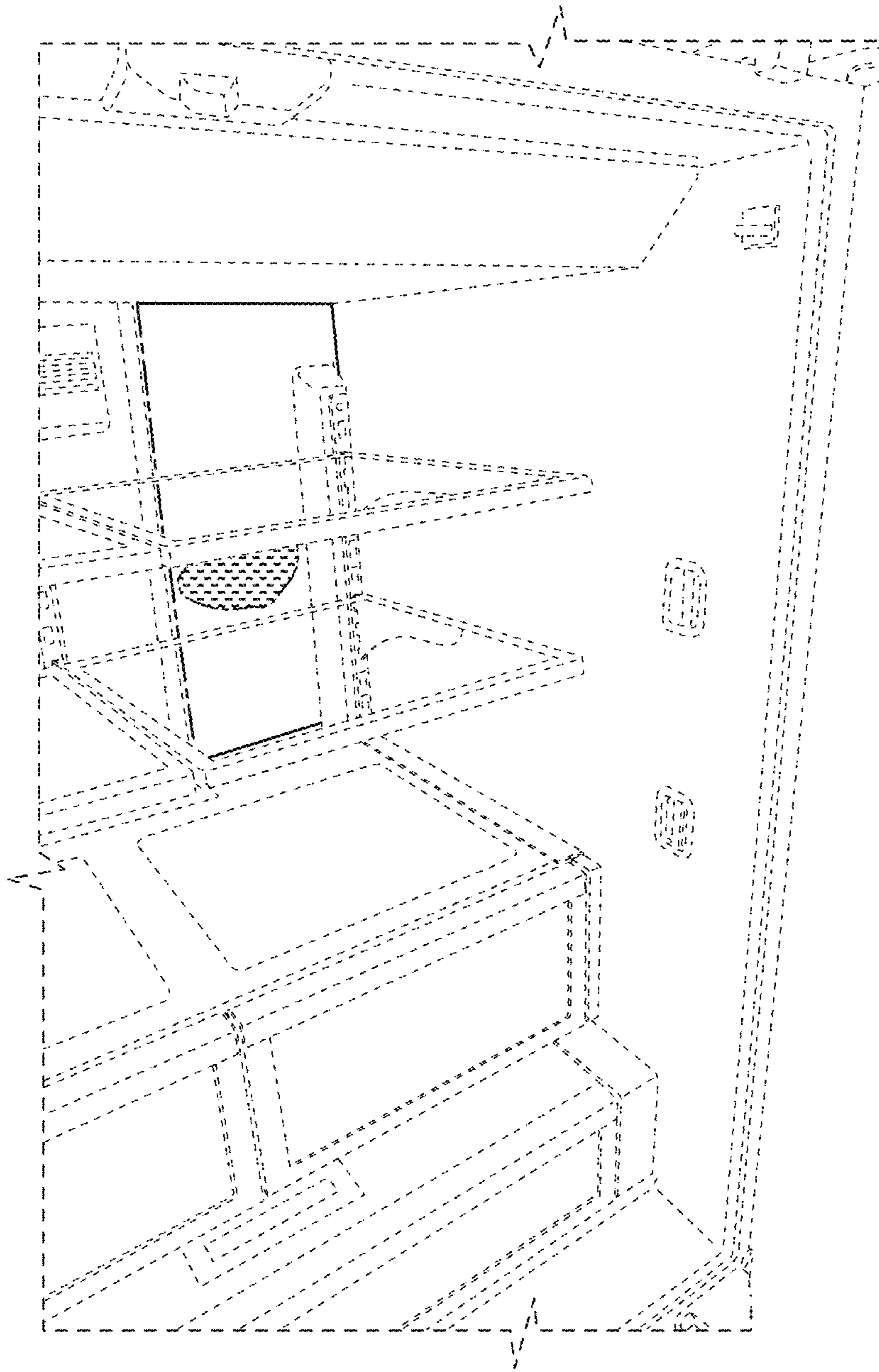


FIG. 8

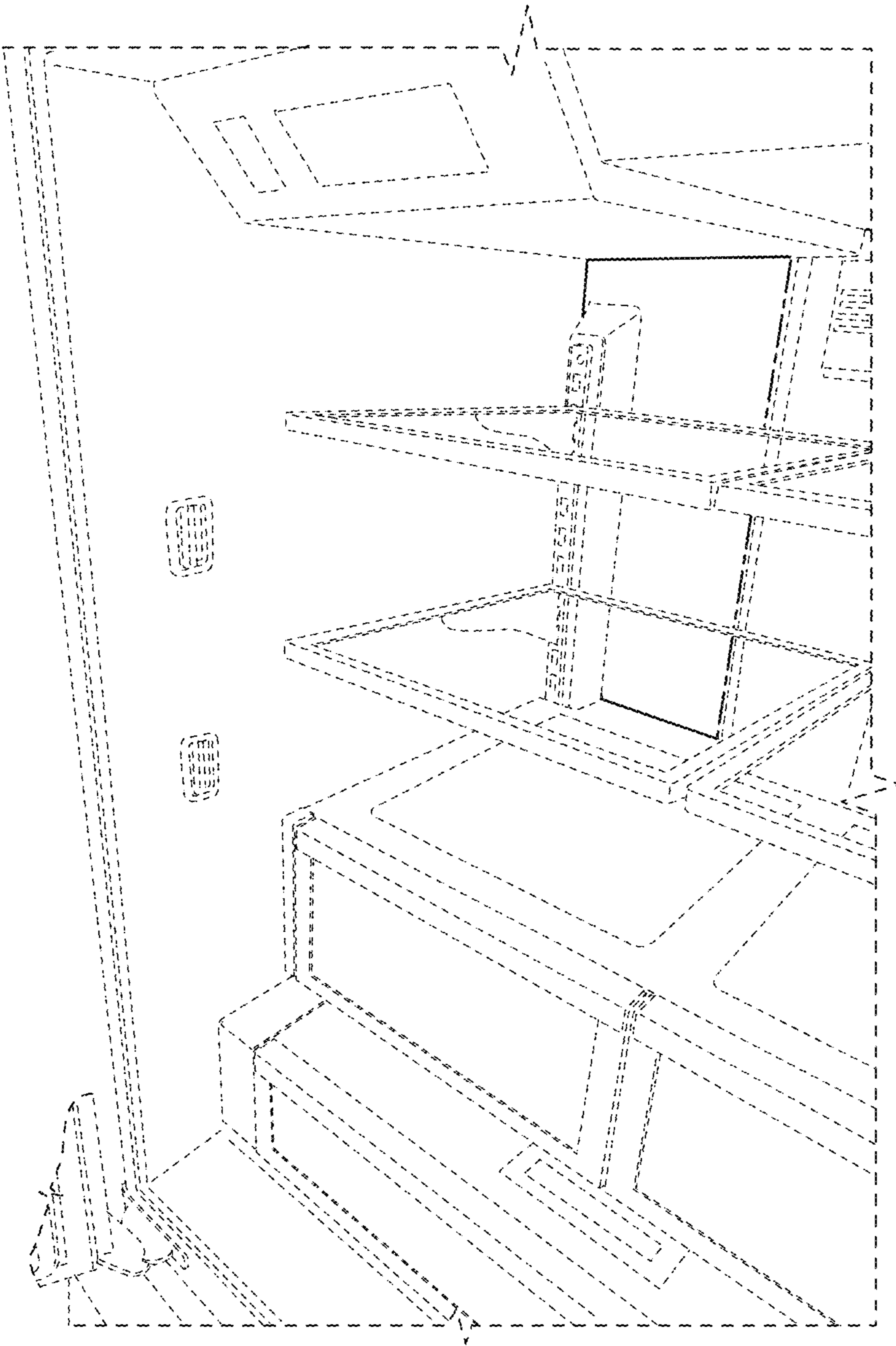


FIG. 9

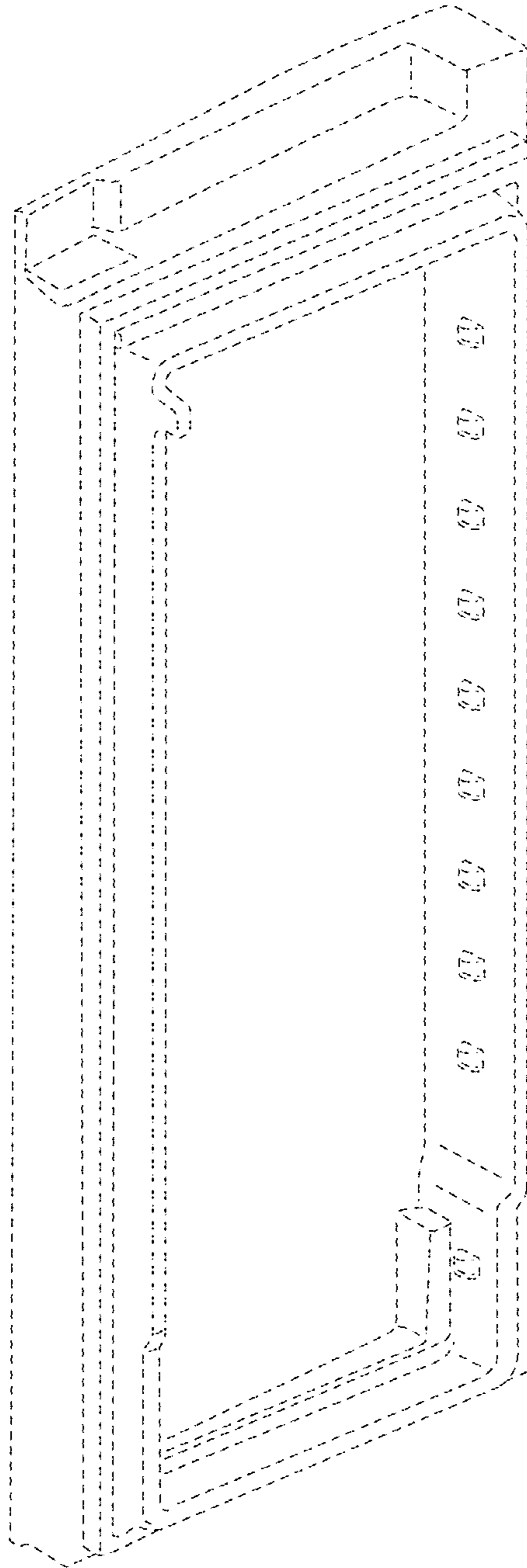


FIG. 10

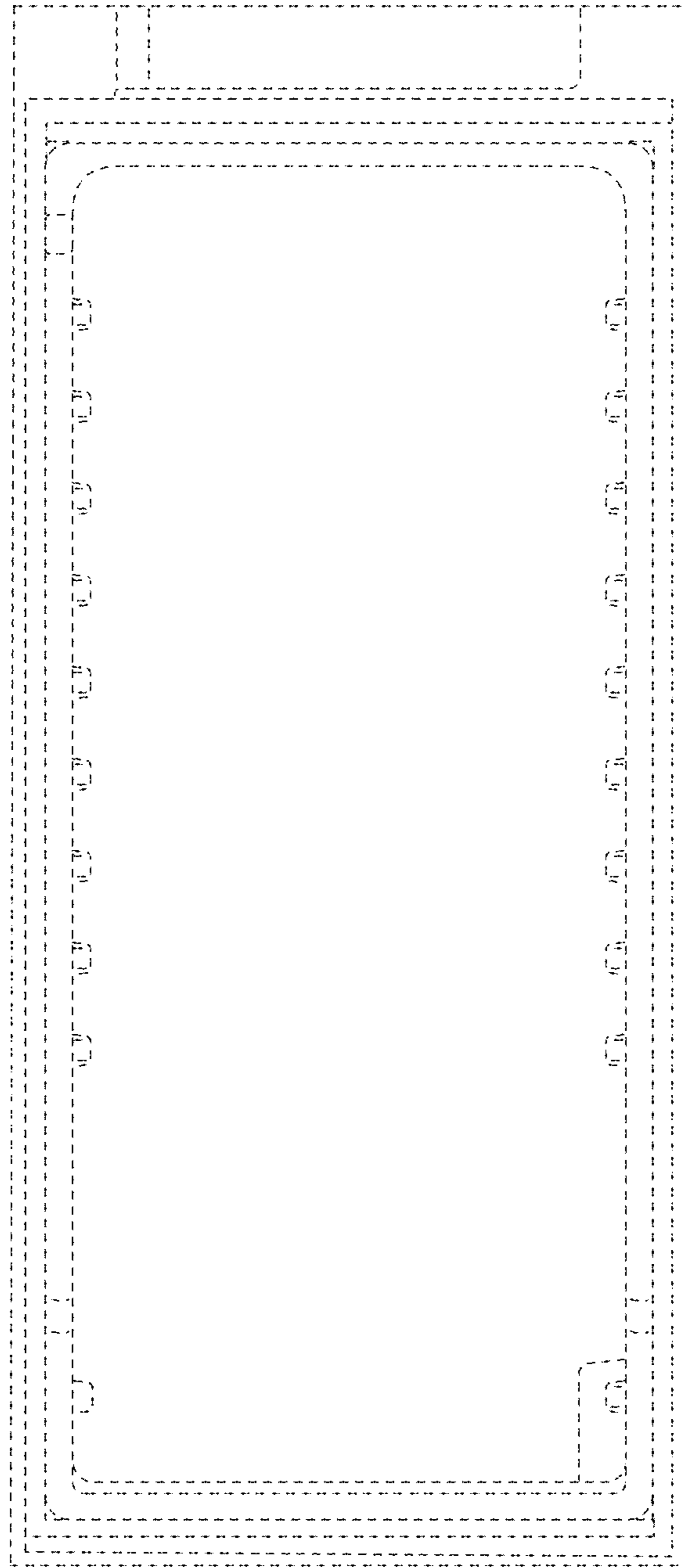


FIG. 11

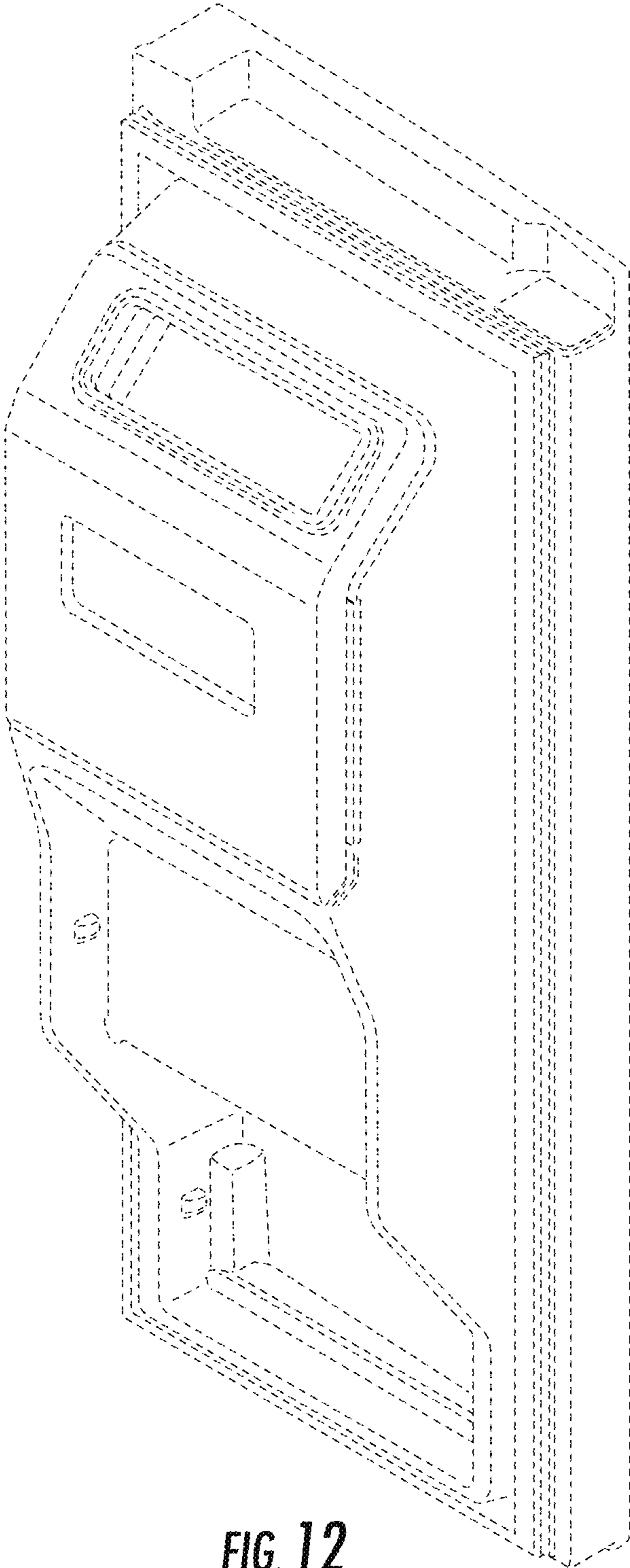


FIG. 12

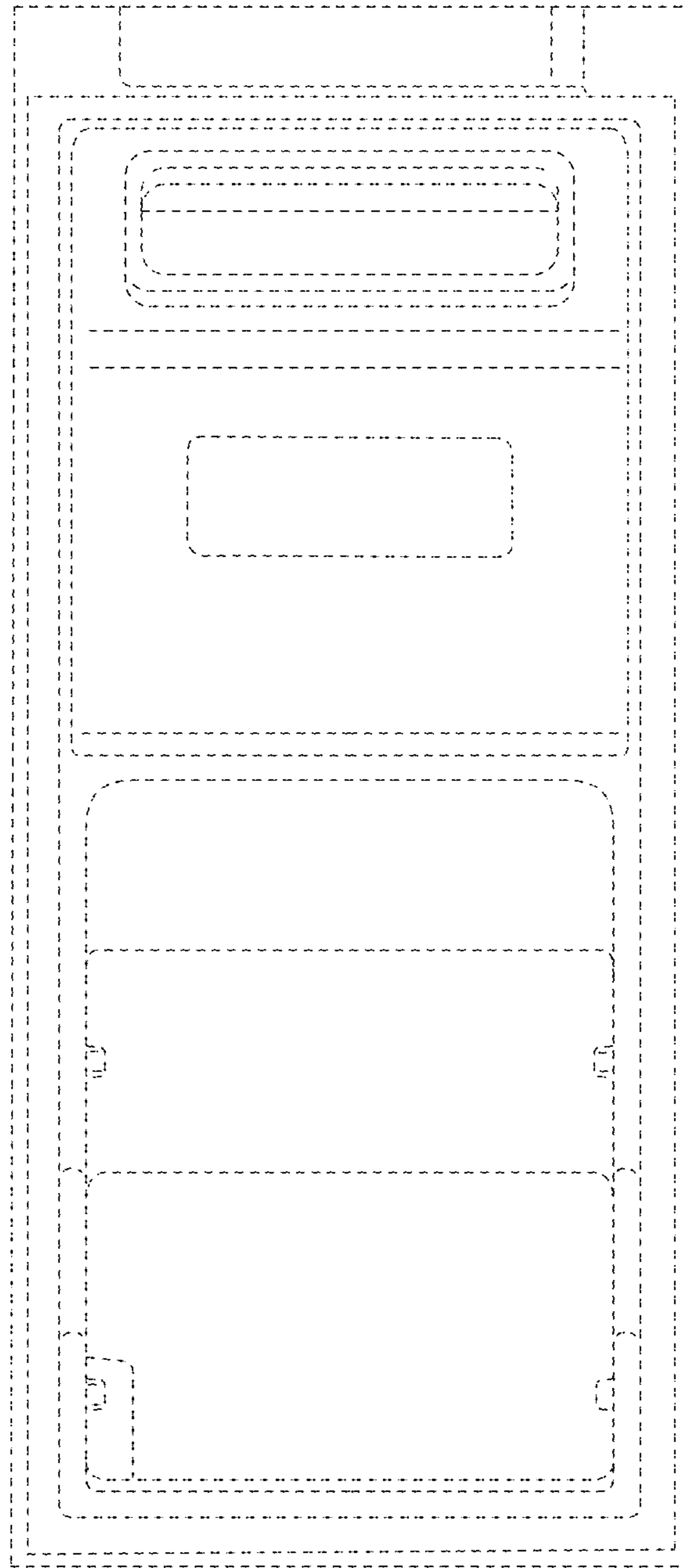


FIG. 13

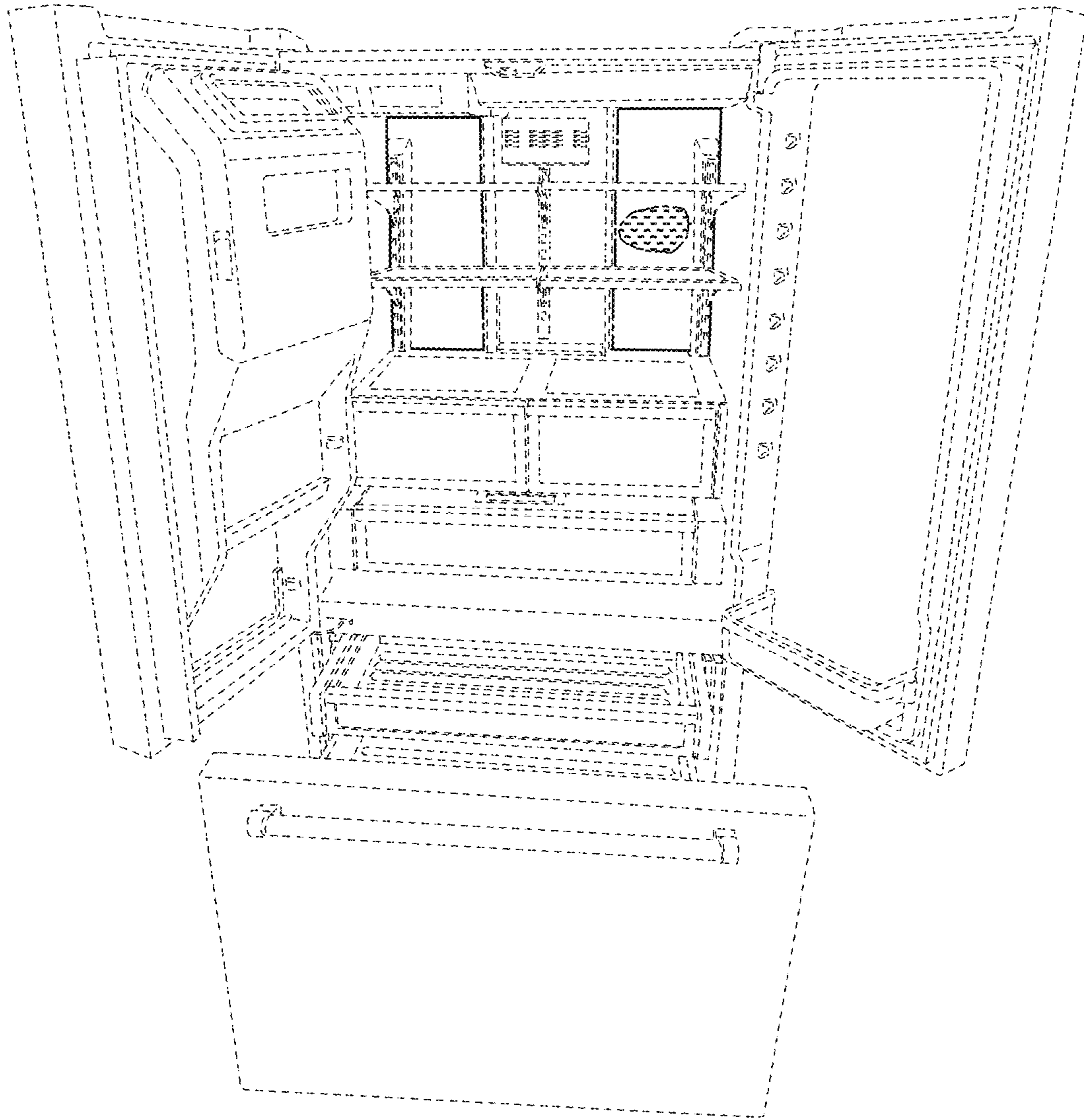


FIG. 14

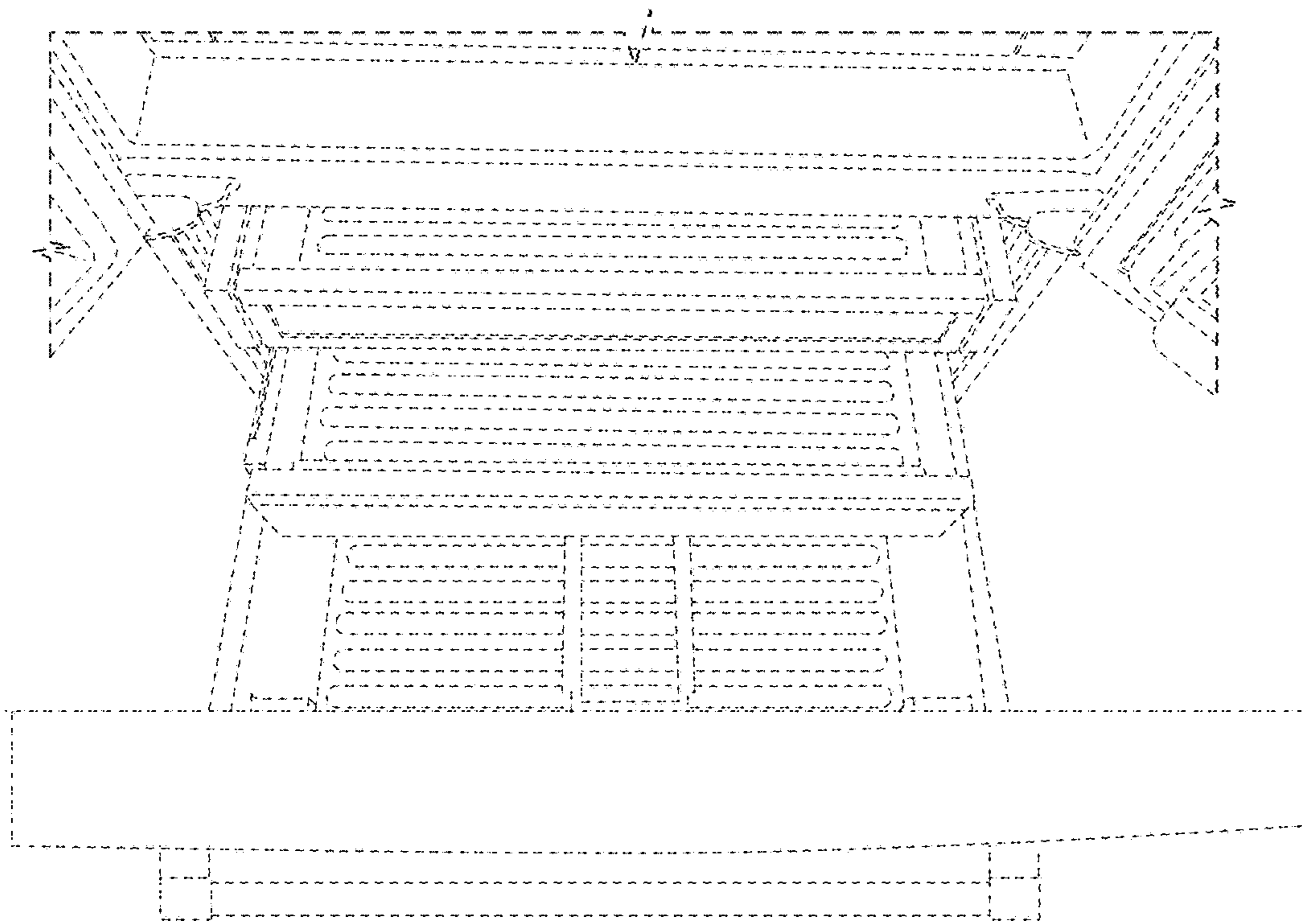


FIG. 15