



US00D806761S

(12) **United States Design Patent**
Jackson et al.

(10) **Patent No.:** **US D806,761 S**
(45) **Date of Patent:** **** Jan. 2, 2018**

(54) **HOOD OF AN AGRICULTURAL WORK VEHICLE**

(71) Applicant: **CNH Industrial America LLC**, New Holland, PA (US)

(72) Inventors: **Dwayne St. George Jackson**, Plainfield, IL (US); **David Melvin Wilkie**, Turin (IT); **Eric Michael Jacobsthal**, Elmhurst, IL (US); **Jesse Weldon Gonzales**, Fairfax, VA (US)

(73) Assignee: **CNH Industrial America LLC**, New Holland, PA (US)

(**) Term: **15 Years**

(21) Appl. No.: **29/567,593**

(22) Filed: **Jun. 10, 2016**

(51) **LOC (11) Cl.** **15-03**

(52) **U.S. Cl.**
USPC **D15/31**

(58) **Field of Classification Search**
USPC D15/10, 11, 13-17, 22-26, 28, 31;
D12/173; 56/13.3, 13.4, 15.8, 15.9,
56/320.1; 180/89.1, 89.12, 900, 69.2,
180/68.1, 69.1
CPC B62D 25/10; B62D 25/00; B62D
49/00-49/085; B60R 19/52; B60R 21/38;
B60K 13/02; B60K 11/08; B60K 11/04;
F01P 11/10; F01P 5/06; F01P 2001/005;
B60Y 2200/221
See application file for complete search history.

(56) **References Cited**

U.S. PATENT DOCUMENTS

D655,318 S * 3/2012 Hagele D15/31
D661,323 S * 6/2012 Krogh D15/31

D668,695 S * 10/2012 Ringer D15/31
D676,466 S * 2/2013 Ewringmann D15/20
D682,323 S * 5/2013 Ryan D15/31
D699,765 S * 2/2014 Tentinger D15/31
D706,841 S * 6/2014 Shimomura D15/31
D707,729 S * 6/2014 Jackson D15/31
D707,730 S 6/2014 Jackson et al.
D752,117 S 3/2016 Jackson et al.
D753,194 S 4/2016 Jackson et al.
D753,195 S 4/2016 Jackson et al.
D765,740 S 9/2016 Jackson et al.
D766,340 S 9/2016 Jackson et al.
D766,341 S 9/2016 Jacobsthal et al.
2010/0326755 A1* 12/2010 Husson B60K 11/04
180/68.1

OTHER PUBLICATIONS

U.S. Appl. No. 29/549,482, filed Dec. 22, 2015, Eric M. Jacobsthal.
(Continued)

Primary Examiner — Mark Goodwin
(74) *Attorney, Agent, or Firm* — Rebecca L. Henkel;
Rickard K. DeMille

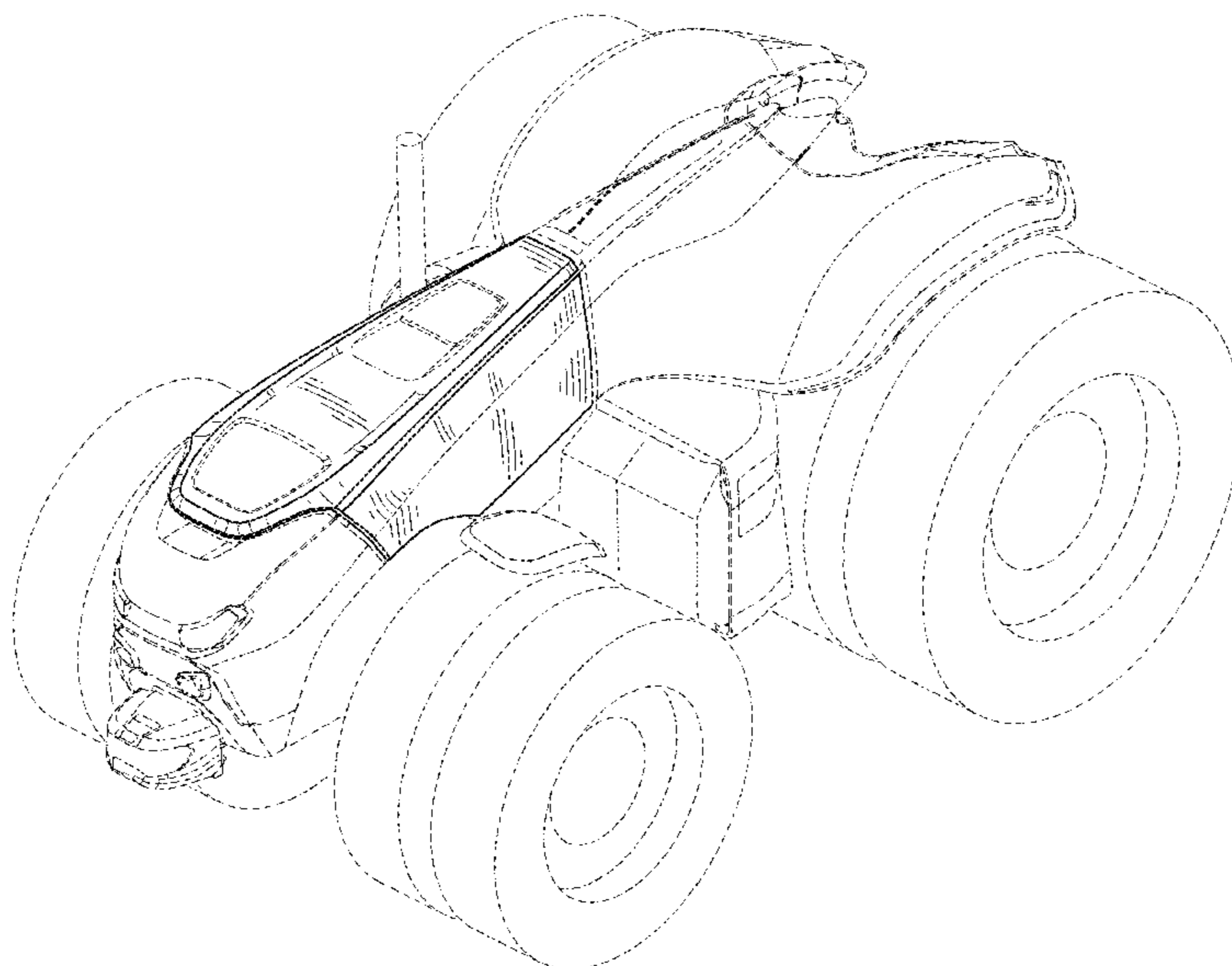
(57) **CLAIM**

The ornamental design for a hood of an agricultural work vehicle, substantially as shown and described.

DESCRIPTION

FIG. 1 is a front perspective view of a hood of an agricultural work vehicle;
FIG. 2 is a back perspective view of the hood;
FIG. 3 is a top view of the hood;
FIG. 4 is a right side view of the hood;
FIG. 5 is a left side view of the hood; and,
FIG. 6 is a front view of the hood.
Phantom lines, where utilized, are for illustrative purposes only and form no part of the claimed design.

1 Claim, 6 Drawing Sheets



(56)

References Cited

OTHER PUBLICATIONS

- U.S. Appl. No. 29/567,579, filed Jun. 10, 2016, Dwayne St. George Jackson.
- U.S. Appl. No. 29/567,581, filed Jun. 10, 2016, Dwayne St. George Jackson.
- U.S. Appl. No. 29/567,582, filed Jun. 10, 2016, Dwayne St. George Jackson.
- U.S. Appl. No. 29/567,603, filed Jun. 10, 2016, Dwayne St. George Jackson.
- U.S. Appl. No. 29/567,605, filed Jun. 10, 2016, Dwayne St. George Jackson.
- U.S. Appl. No. 29/567,607, filed Jun. 10, 2016, Dwayne St. George Jackson.
- U.S. Appl. No. 29/567,615, filed Jun. 10, 2016, Dwayne St. George Jackson.
- U.S. Appl. No. 29/567,621, filed Jun. 10, 2016, Dwayne St. George Jackson.
- U.S. Appl. No. 29/567,622, filed Jun. 10, 2016, Dwayne St. George Jackson.
- U.S. Appl. No. 29/567,653, filed Jun. 10, 2016, Frank Zsigmond Asztalos.

* cited by examiner

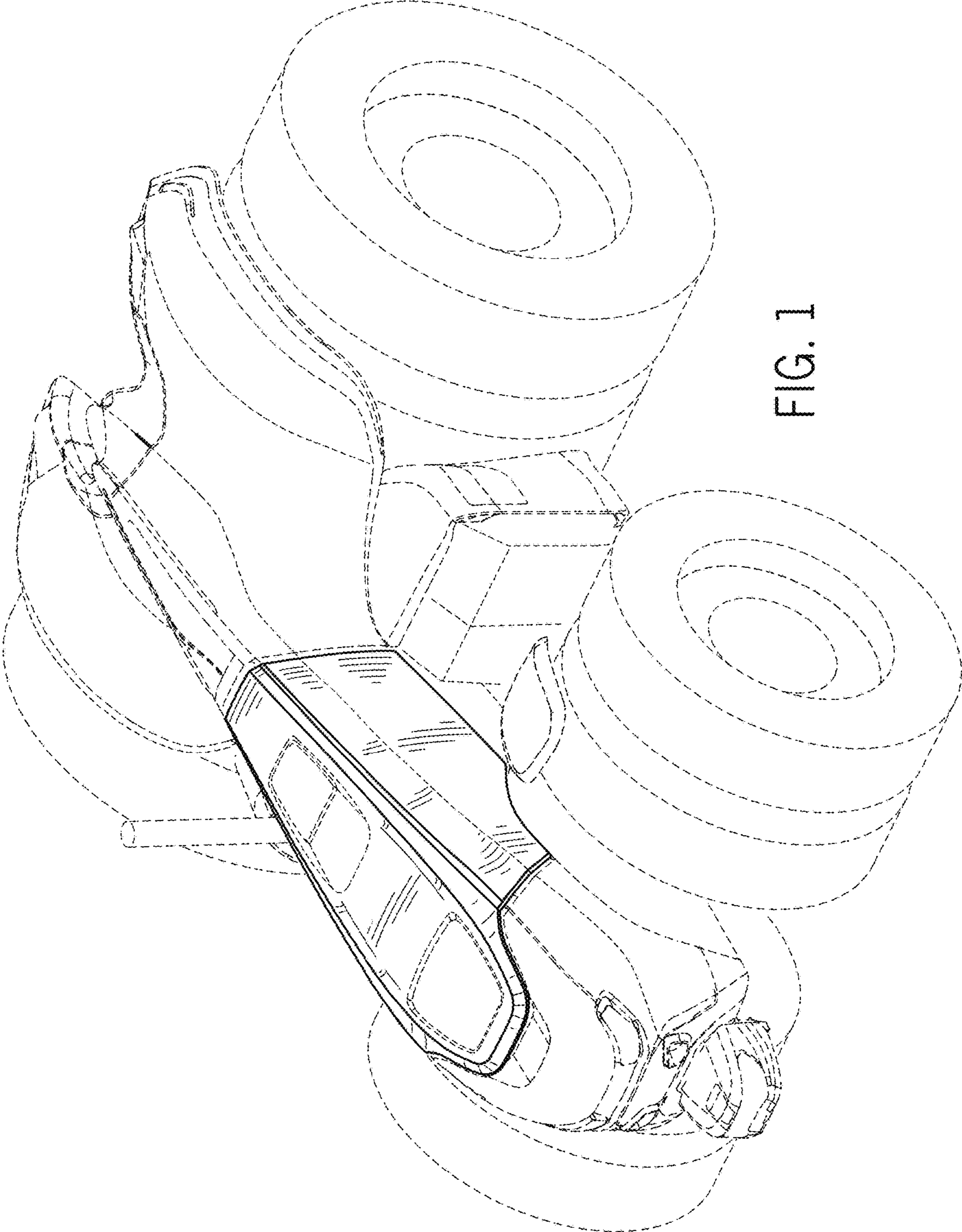


FIG. 1

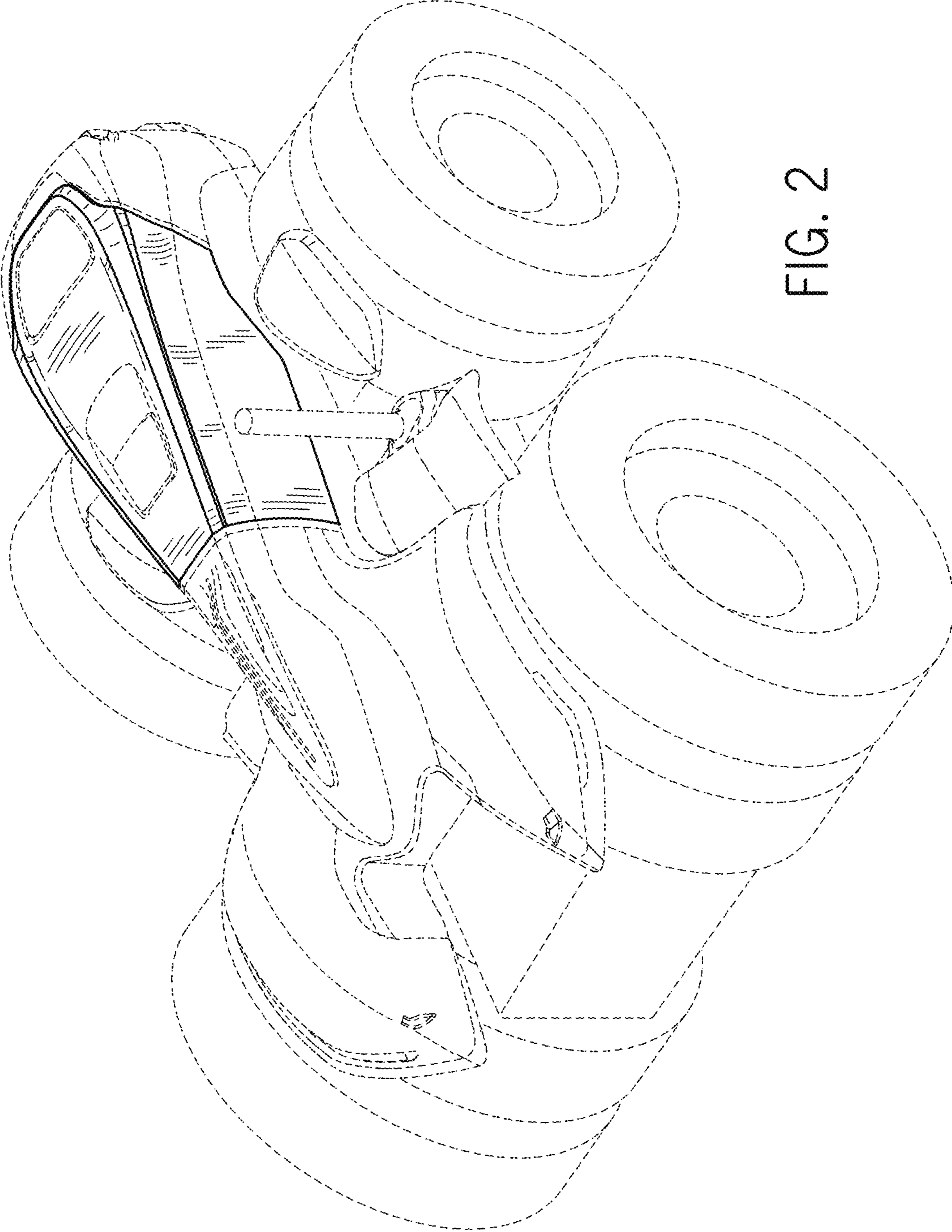


FIG. 2

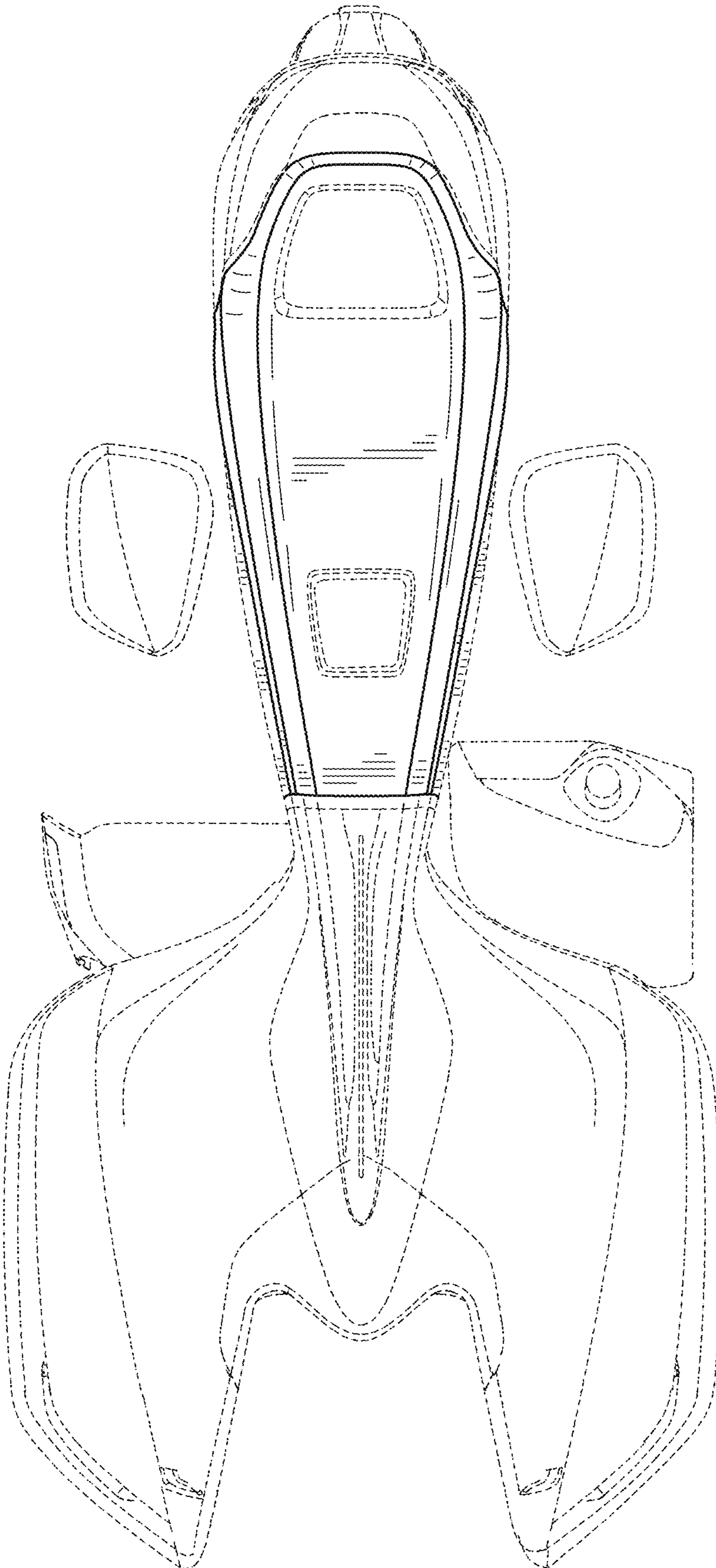


FIG. 3

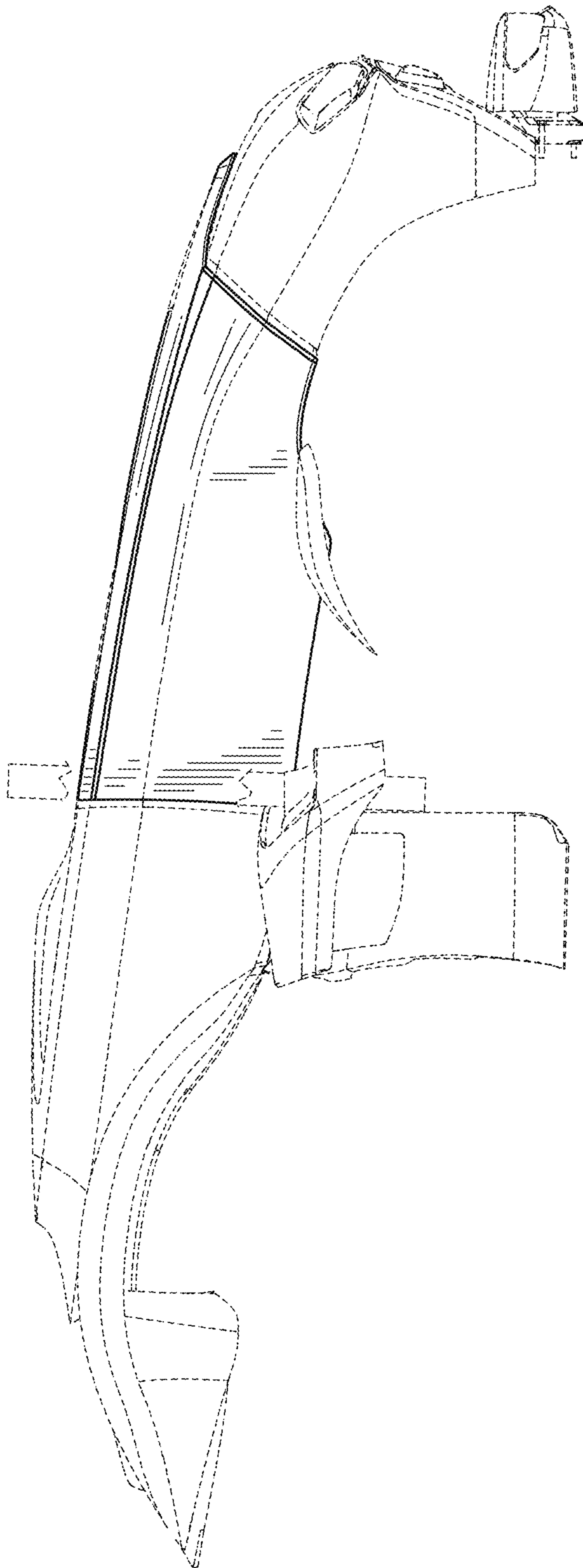


FIG. 4

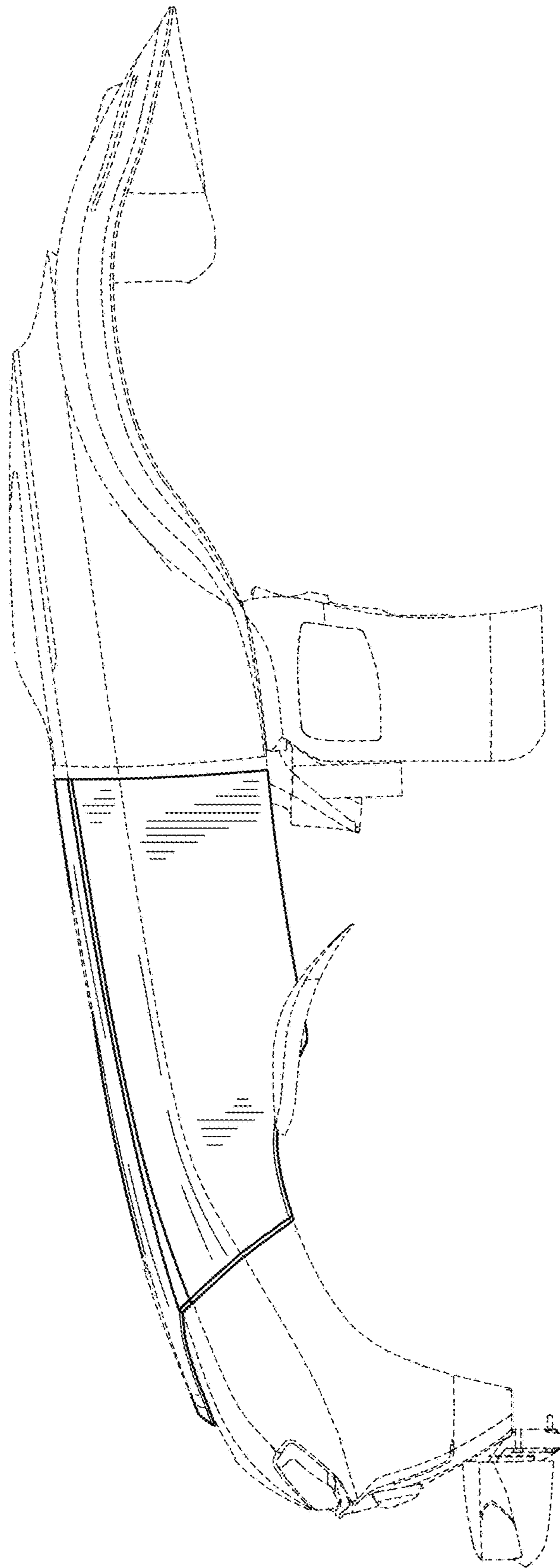


FIG. 5

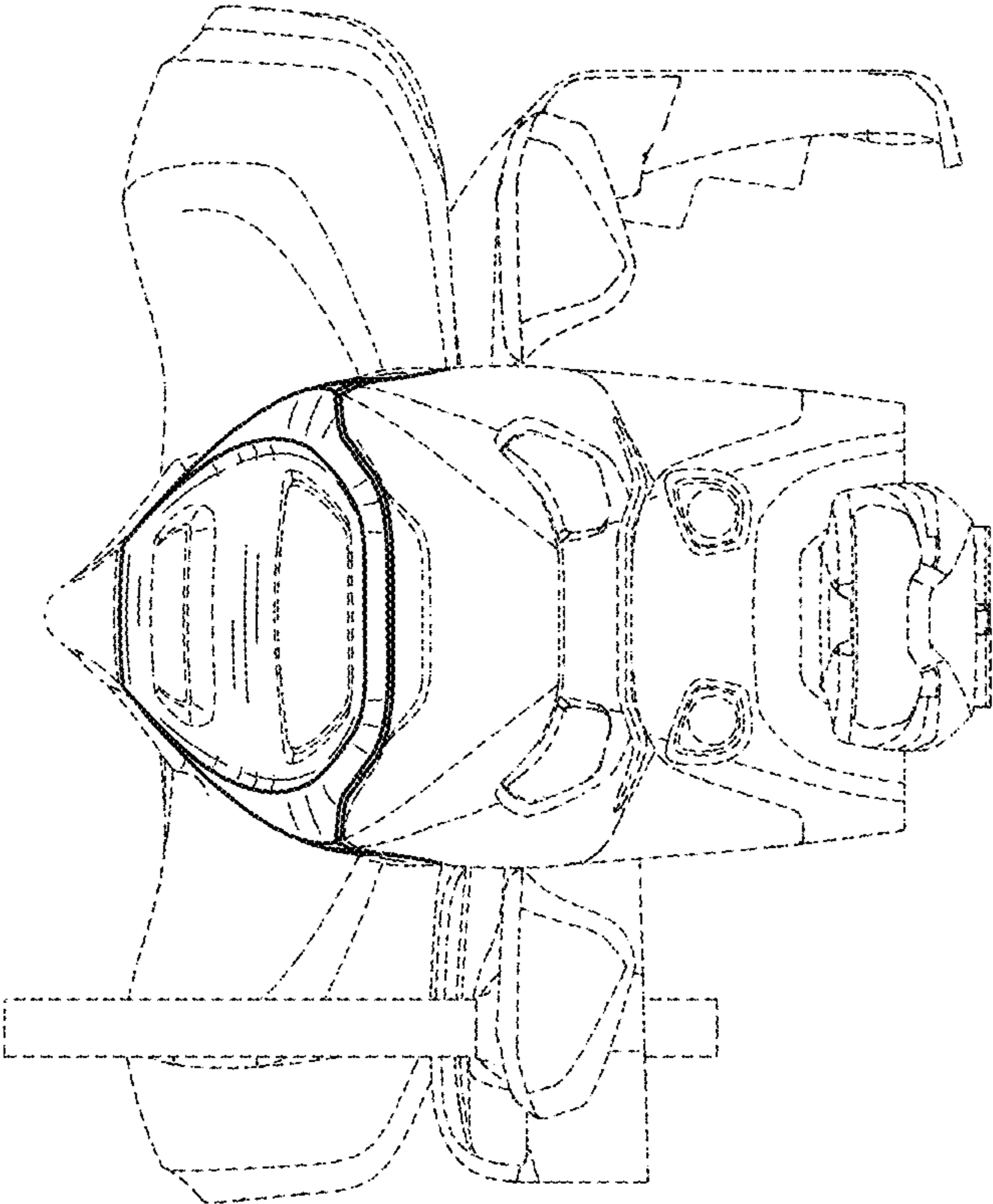


FIG. 6